

## **ASSEMBLY INSTRUCTIONS**

### **NEXUS TRIPLE SLEEPER**

**IMPORTANT : READ THIS INSTRUCTIONS CAREFULLY BEFORE ASSEMBLING OR USING YOUR NEXUS TRIPLE SLEEPER.**

**PLEASE KEEP THESE INSTRUCTIONS FOR FUTURE REFERENCE.**

#### **HEALTH & SAFETY**

DO NOT jump on this bed frame.

**WARNING :** DO NOT use the bunk bed / high bed if any structural part is broken or missing.

DO NOT use this bed frame unless all fixings are secured.

Please keep small parts out of reach of children.

Always use on a level, even surface.

**WARNING :** High beds and the upper bed of bunk beds are not suitable for children under six years due to the risk of injury from falls.

This bed frame complies to BS EN 747 1&2:2012 + A1:2015

Always follow the manufacturer's instructions.

**WARNING :** Bunk beds and high beds can present a serious risk of injury from strangulation if not used correctly. Never attach or hang items to any part of the bunk bed that are not designed to be used with the bed, for example, but not limited to ropes, strings, cords, hooks, belts and bags.

**WARNING:** Children can become trapped between the bed and the wall. To avoid risk of serious injuries the distance between the top safety barrier and the adjoining structure shall not exceed 75mm or shall be more than 230mm.

**WARNING :** If this bed is placed on a non-carpeted floor you must place some protection under all legs to stop the bed from moving. If this is not adhered to there is no guarantee if the bed frame collapses.

#### **CARE & MAINTENANCE**

Assemble in the room of use.

Periodically check all screws & fixings to ensure they are secure.

DO NOT push the bed frame as this will damage the legs.

Always lift the bed with two people to reposition.

Keep any sharp objects away from the frame.

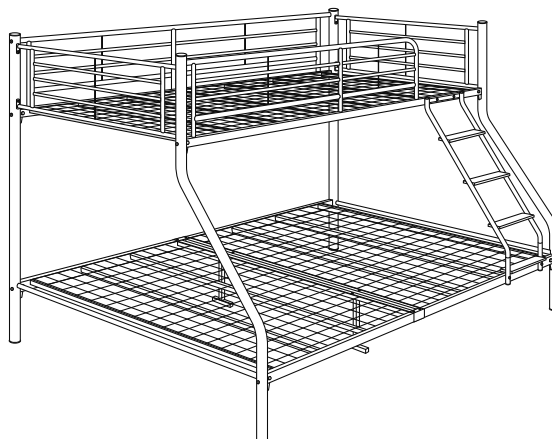
Recommended size of mattress for top bunk is 3ft x 6ft 3inch.

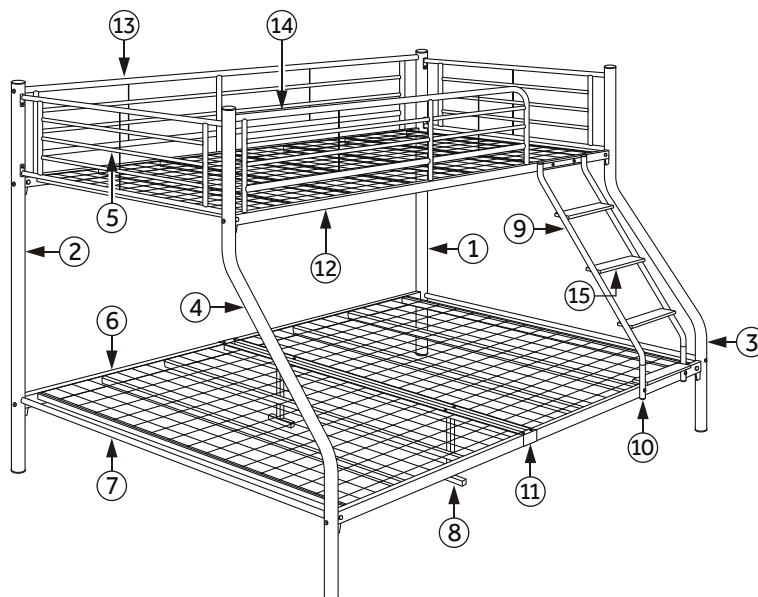
Recommended size of mattress for bottom bunk is 4ft 6in x 6ft 3inch.

Sticker marking the mattress maximum thickness can be found on the headboard post and mattress being used do not exceed the arrow on the sticker.

Recommended maximum mattress height for top bunk is 200mm.

Ventilation of the room is necessary in order to keep the humidity low and to prevent mold in and around the bed.

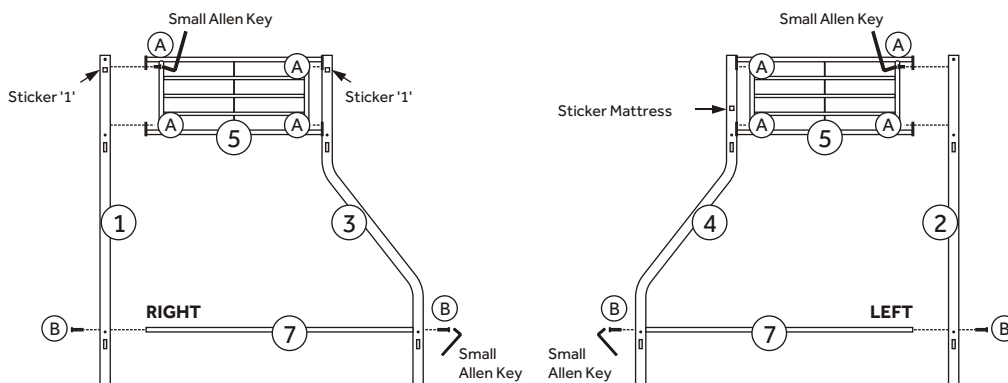




PART LIST				HARDWARE LIST (FOUND IN BOX 2)		
Part	Description	Box	Qty	Part	Description	Qty
1	Right Post A (Sticker 1)	1	1	A	M6 x 16mm JCBC Screw	18
2	Left Post A	1	1	B	M6 x 80mm JCBC Screw	13
3	Right Post B (Sticker 1)	1	1	C	M6 x 60mm JCBC Screw	4
4	Left Post B	1	1	D	M6 Nut	8
5	Headend Frame	2	2	E	19mm M6 Flat Round Washer	4
6	Bottom Base	2	2	F	M6 x 35mm JCBC Screw	6
7	Frame Support	1	2	G	M8 Metal Square Nut	8
8	Base Leg	2	2	H	M8 x 95mm JCBC Screw	8
9	Ladder	2	1	I	50mm Round Cap	4
10	Ladder Connector	2	1	J	Black Round Stud	6
11	Center Support	2	2	<b>**M4 Allen Key &amp; M5 Allen Key provided</b>		
12	Top Base	1	1			
13	Back Rail	1	1			
14	Front Rail	1	1			
15	Ladder Step	2	4			

**STEP 1:** Fix the Headend Frame (5) to the Right Post A (1) and Right Post B (3) using hardware part (A), then attach the Frame Support (7) using hardware part (B). Repeat for the left side.

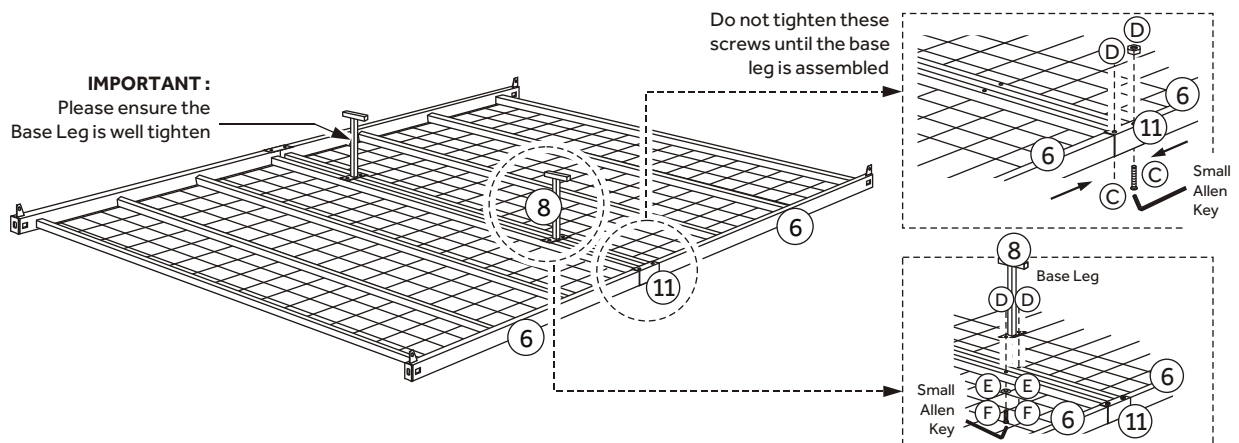
**DO NOT use any power tools as this may damage the frame and will invalidate any claim.**



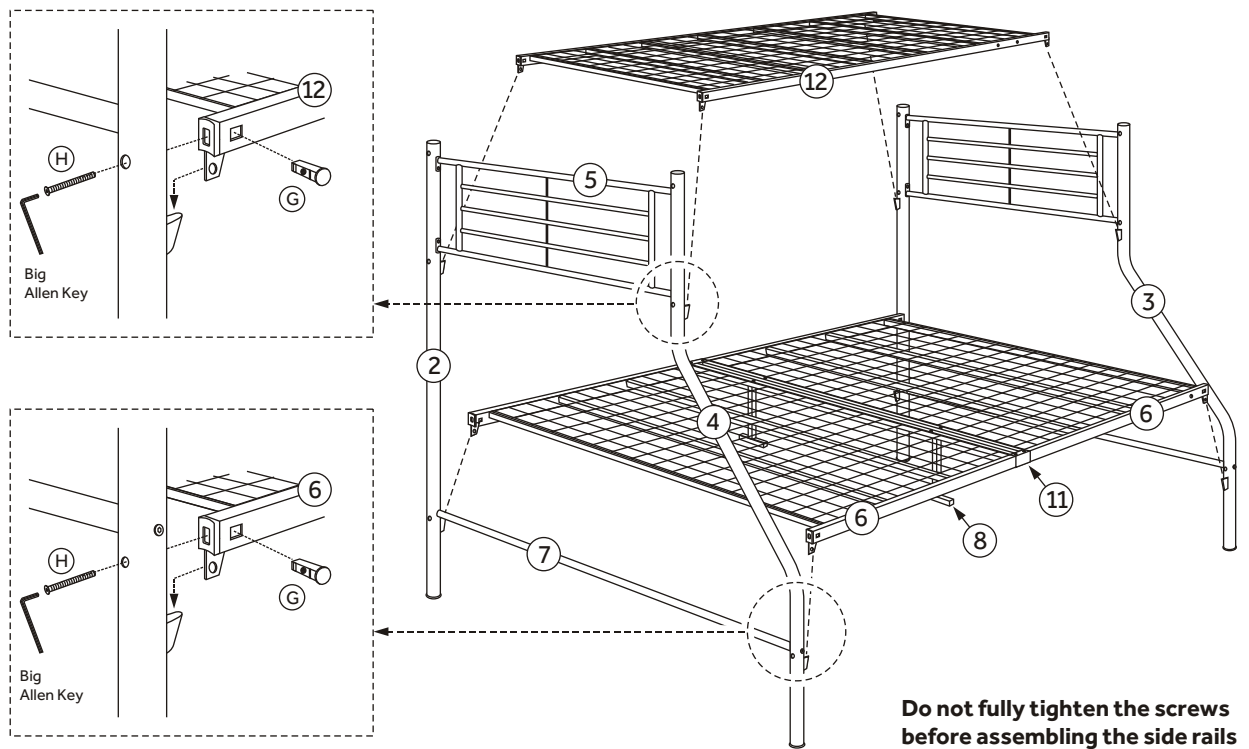
**IMPORTANT : Please ensure all the screw are being tighten up**

**STEP 2:** Join together the Bottom Base Panels (6) with the Center Support (11) using hardware parts (C) and (D), then attach the Base Legs (8) using hardware parts (D), (E) and (F).

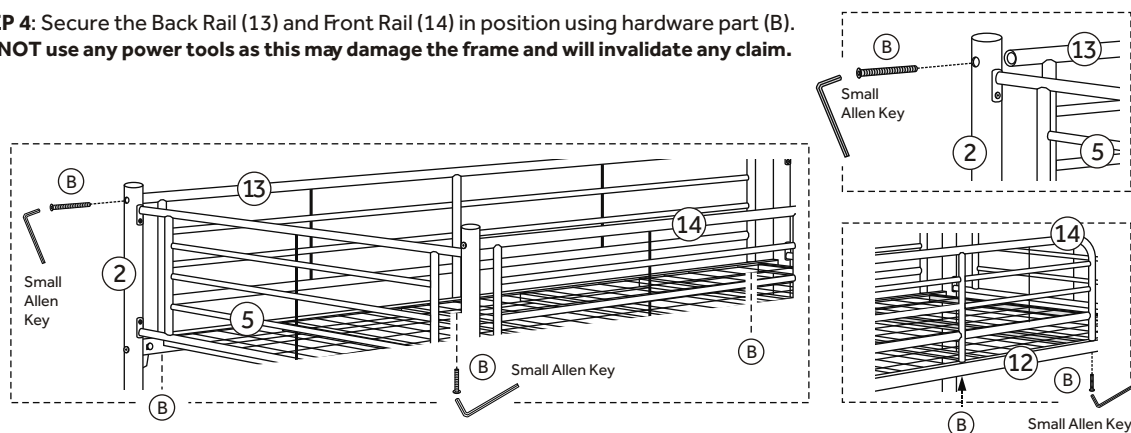
**DO NOT use any power tools as this may damage the frame and will invalidate any claim.**



**STEP 3:** Attach the Top Base (12) and Bottom Base (6) using hardware parts (G) and (H) but do not fully tighten yet. **DO NOT use any power tools as this may damage the frame and will invalidate any claim.**

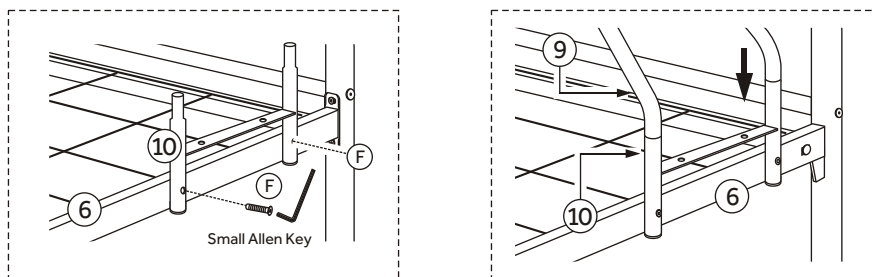


**STEP 4:** Secure the Back Rail (13) and Front Rail (14) in position using hardware part (B). **DO NOT use any power tools as this may damage the frame and will invalidate any claim.**



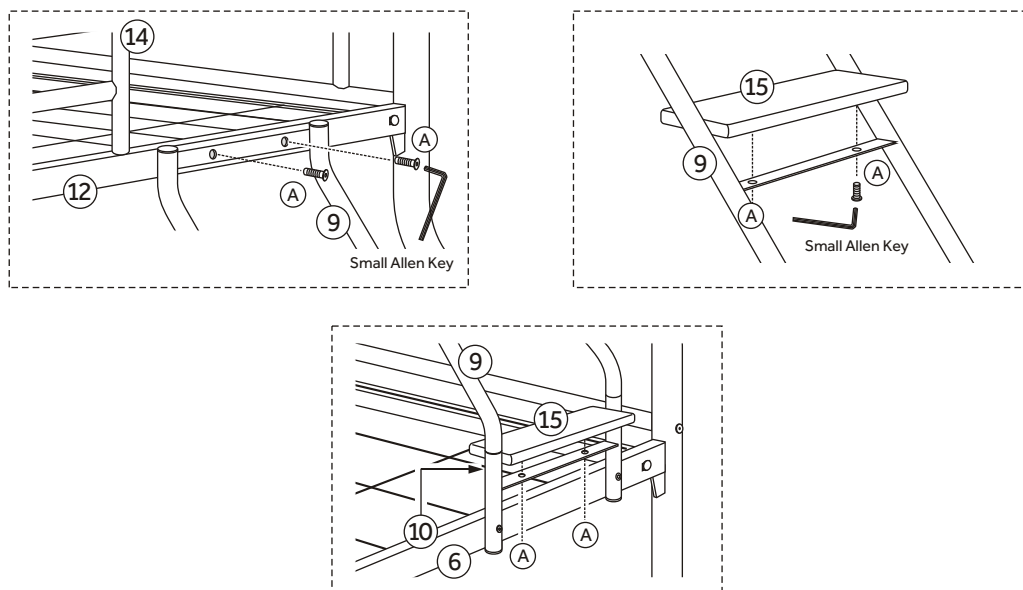
**STEP 5:** Fix the Ladder Connectors (10) to the Bottom Base (6) using hardware part (F), then slot the Ladder (9) into the Ladder Connectors (10)

**DO NOT use any power tools as this may damage the frame and will invalidate any claim.**



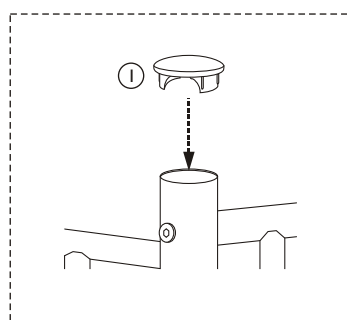
**STEP 6:** Secure the Ladder (9) to the Top Base (12) using hardware parts (A), then attach the Ladder Steps (15) to the Ladder (9) and Ladder Connector (10) using hardware part (A).

**DO NOT use any power tools as this may damage the frame and will invalidate any claim.**



**STEP 7:** Insert hardware part (I) to the bed posts.

**DO NOT use any power tools as this may damage the frame and will invalidate any claim.**



**NOTE: PLEASE INSERT THOSE BLACK ROUND STUD (J) INTO THE EXTRA 10MM HOLES.**

#### ADDITIONAL INFORMATION :

- For complete product information, images and dimension diagrams please visit the website [www.birlea.com](http://www.birlea.com).
- If you have any issues with your item please contact the retailer directly you purchased it from who will be able to resolve any issues with Birlea.
- Why don't you send us photos of your assembled furniture to [info@birlea.com](mailto:info@birlea.com) to be shared in our [#birleahome](https://www.instagram.com/birleahome) feature on instagram.