



# Birlea

Suppliers of inspiration

## Assembly Instructions

---

*Thank you* for  
purchasing a  
**Birlea** product.

For a chance to win a *Love 2 Shop* voucher simply post a picture of your new product on your preferred social channels tagging Birlea Furniture and using the hashtag **#ShareYourStyle** and **#Birlea**. One winner will be selected at random each month.

To view our full terms and conditions please visit our website. [www.birlea.com](http://www.birlea.com)

---

### Are you happy with your purchase?

**Yes:** That's great, we would love to hear more from you. Please leave us a review on our social media channels or Trustpilot. Your feedback will be greatly appreciated.

**No:** If for any reason there is something missing, indifferent or incorrect with your order, please contact the retailer you purchased the item from. We will work with the retailer to resolve your issue as quickly as possible.



[www.birlea.com](http://www.birlea.com)

## ASSEMBLY INSTRUCTIONS LILLE DROP LEAF DINING SET

**IMPORTANT :** READ THESE INSTRUCTIONS CAREFULLY BEFORE ASSEMBLING OR USING YOUR DROP LEAF DINING SET.

PLEASE KEEP THESE INSTRUCTIONS FOR FUTURE REFERENCE.

### HEALTH & SAFETY :

DO NOT use this item if any parts are missing, damaged or worn.

DO NOT use this item unless all fixings are secured.

Please keep small parts out of reach of children.

Always use on a level, even surface.

### CARE & MAINTENANCE :

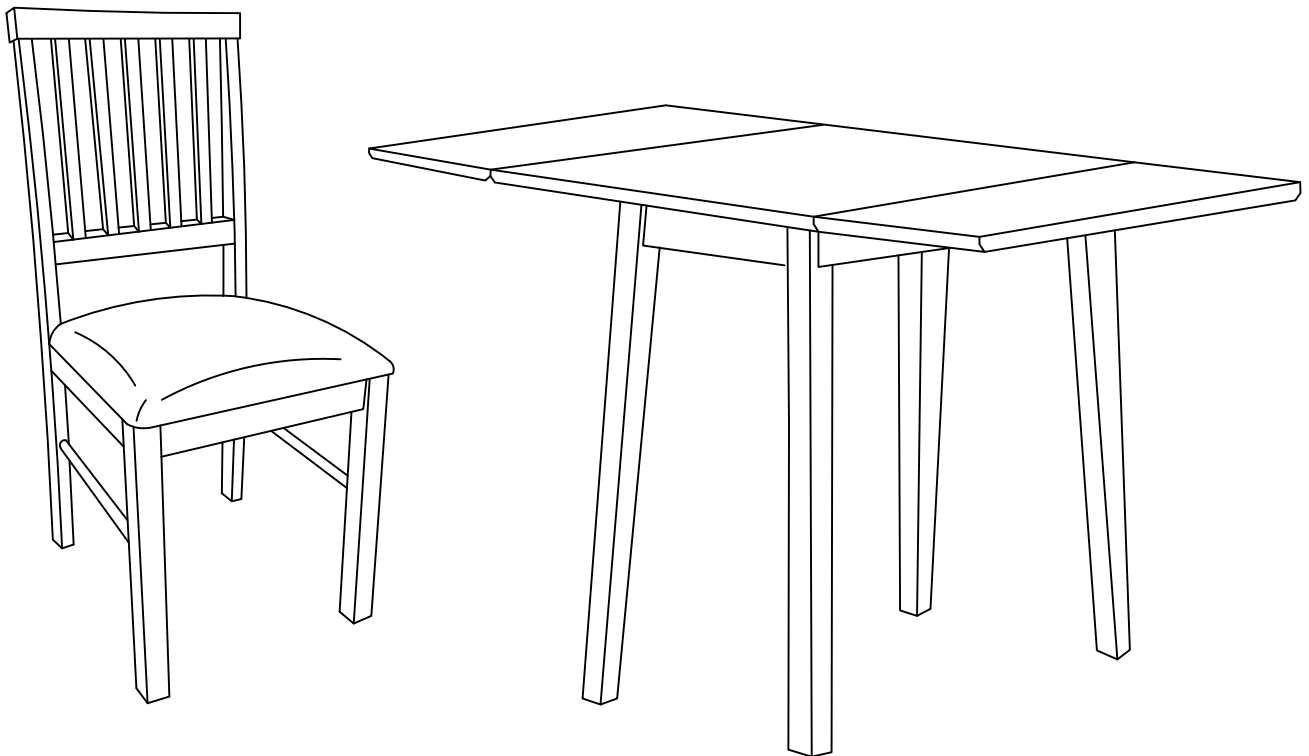
Assemble in the room of use.

Periodically check all screws & fixings to ensure they are secure.

DO NOT push the item as this will damage the legs.

Always lift the item with two people to reposition.

Keep any sharp objects away from the item.



[www.birlea.com](http://www.birlea.com).

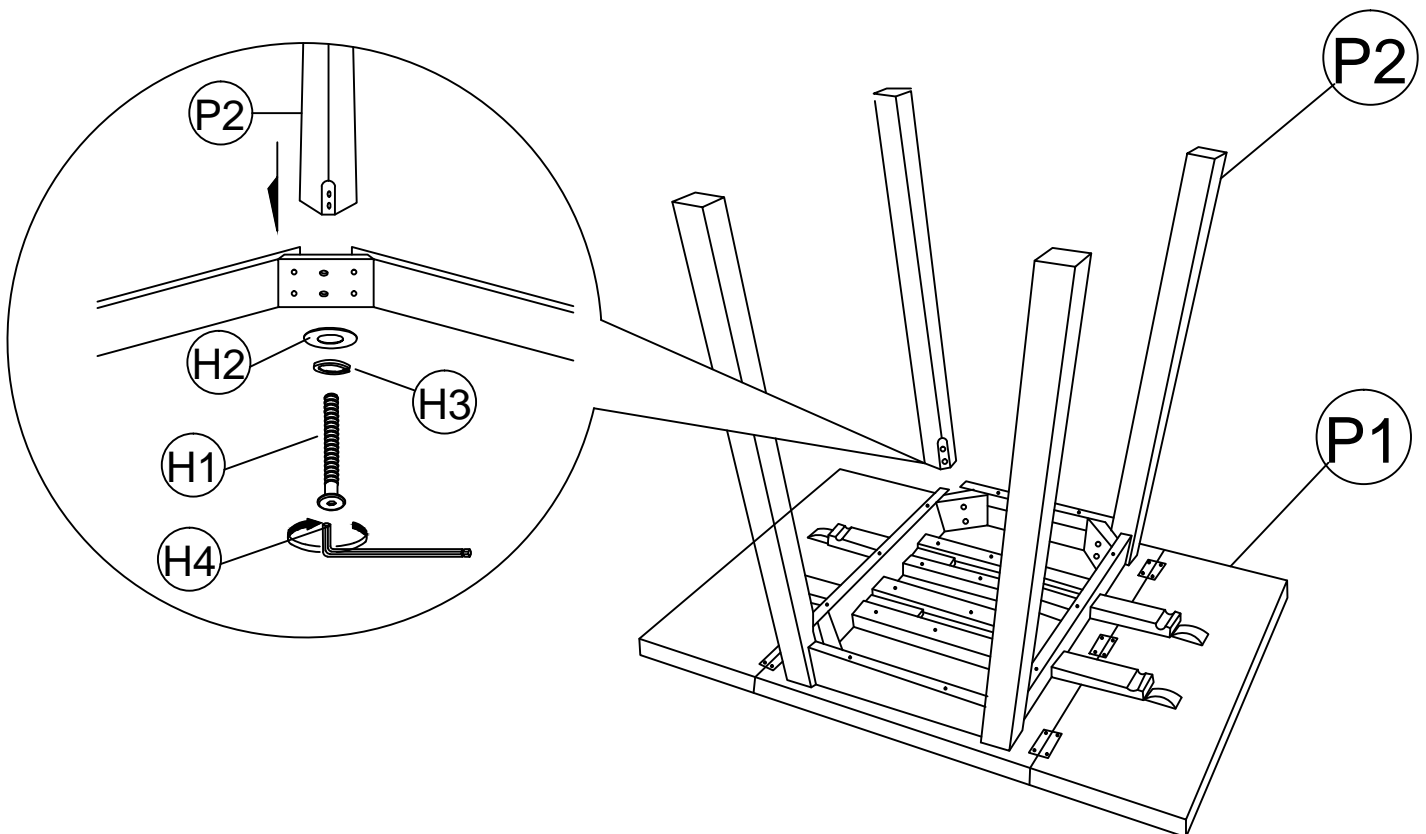


TABLE

Parts List				Hardware List (found in box 2)		
Part	Description	Box	Qty	Part	Description	Qty
P1	Table top	2	1	H1	JCBC M6 X 60mm 	8
P2	Table leg	2	4	H2	Flat Washer 	8
				H3	Spring Washer 	8
				H4	Allen Key 	1

Step 1 : Place the table top (P1) upside down on a soft, clean surface, then attach the table legs (P2) using hardware parts H1, H2, H3 and H4.

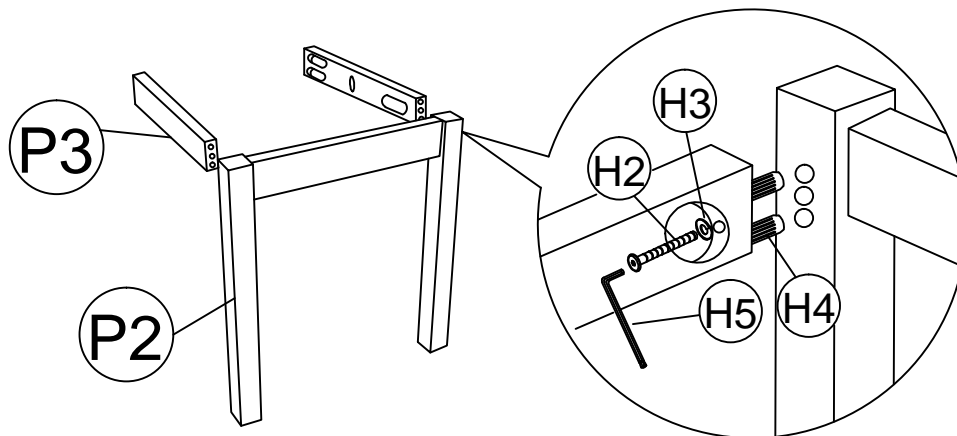
DO NOT use any power tools as this may damage the frame and will invalidate any claim.



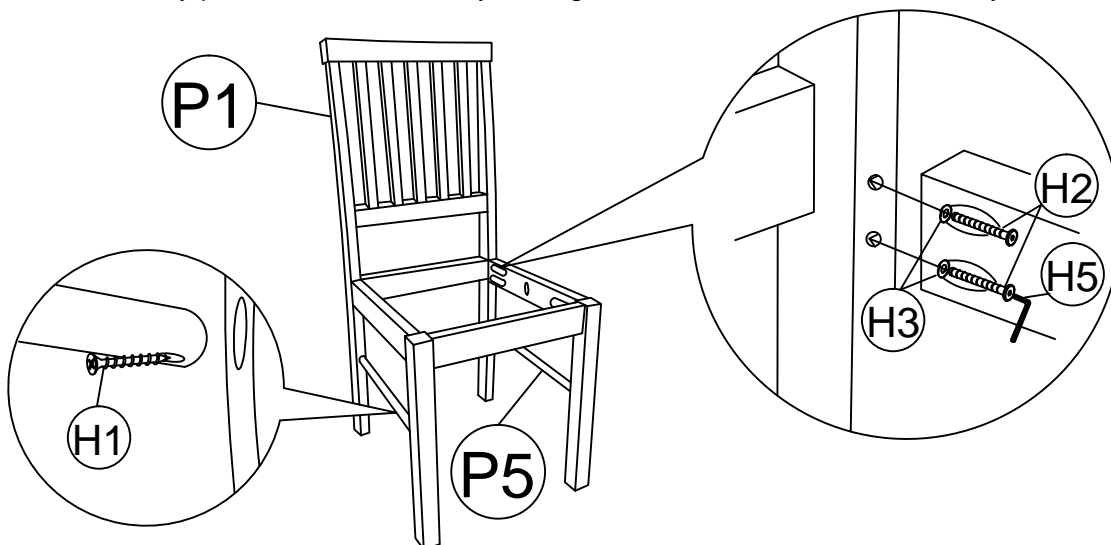
## PAIR OF DINING CHAIRS

Parts List				Hardware List		
Part	Description	Box	Qty	Part	Description	Qty
P1	Chair Back	1	2	H1	Wood Screw 	14
P2	Front Leg	1	2	H2	JCBC M6 X 40mm 	12
P3	Apron	1	4	H3	Spring Washer 	12
P4	Seat	1	2	H4	Wooden Dowel 	8
P5	Cross Bar	1	4	H5	Allen Key 	1

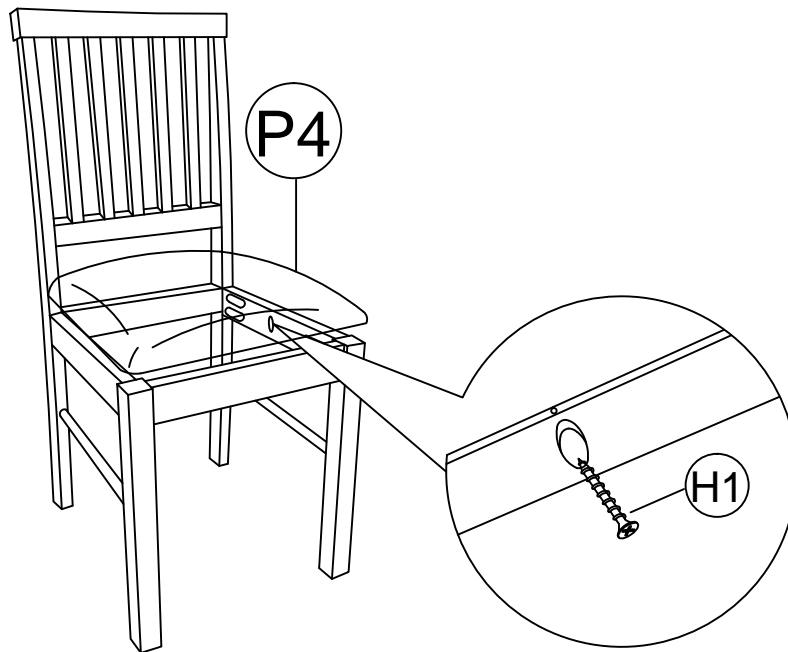
Step 1 : Attach the aprons (P3) to the front leg (P2) using hardware parts H2, H3, H4 and H5  
DO NOT use any power tools as this may damage the frame and will invalidate any claim



Step 2 : Attach the chair backs (P1) and cross bars (P5) using hardware parts H1, H2, H3 and H5  
DO NOT use any power tools as this may damage the frame and will invalidate any claim



Step 1 : Attach the seats (P4) using hardware parts H1 and a screwdriver ( not provided)  
DO NOT use any power tools as this may damage the frame and will invalidate any claim



### Additional Information:

- For complete product information, images and dimension diagrams please visit the website [www.birlea.com](http://www.birlea.com)
- If you have any issues with your item please contact the retailer directly you purchased it from who will be able to resolve any issues with Birle.
- Why don't you send us photos of your assembled furniture to [info@birlea.com](mailto:info@birlea.com) to be shared in our #birleahome feature on Instagram.



[www.birlea.com](http://www.birlea.com).

