

## ASSEMBLY INSTRUCTIONS PALERMO STOOL

**IMPORTANT: READ THESE INSTRUCTIONS CAREFULLY BEFORE ASSEMBLING OR USING YOUR PALERMO STOOL.**

PLEASE KEEP THESE INSTRUCTIONS FOR FUTURE REFERENCE.

### **HEALTH & SAFETY:**

DO NOT jump on this stool.

DO NOT use this stool if any parts are missing, damaged or worn.

DO NOT use this stool unless all fixings are secured.

Always use on a level, even surface.

**WARNING:** If this item is placed on a non-carpeted floor you must place some protection under all legs to stop the stool from moving. If this is not adhered to there is no guarantee if the stool collapses.

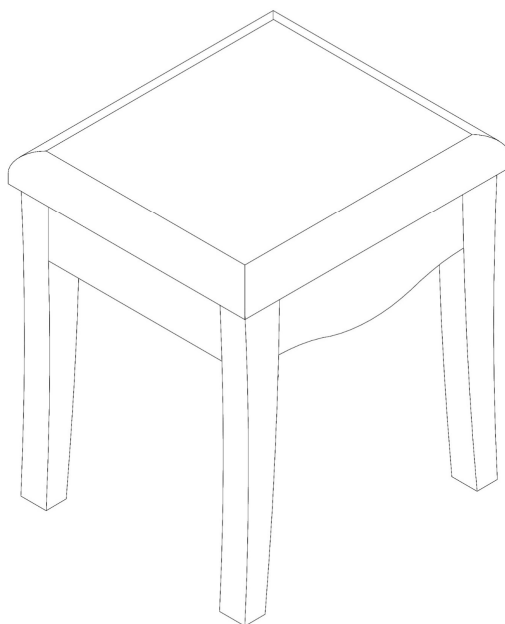
### **CARE & MAINTENANCE:**

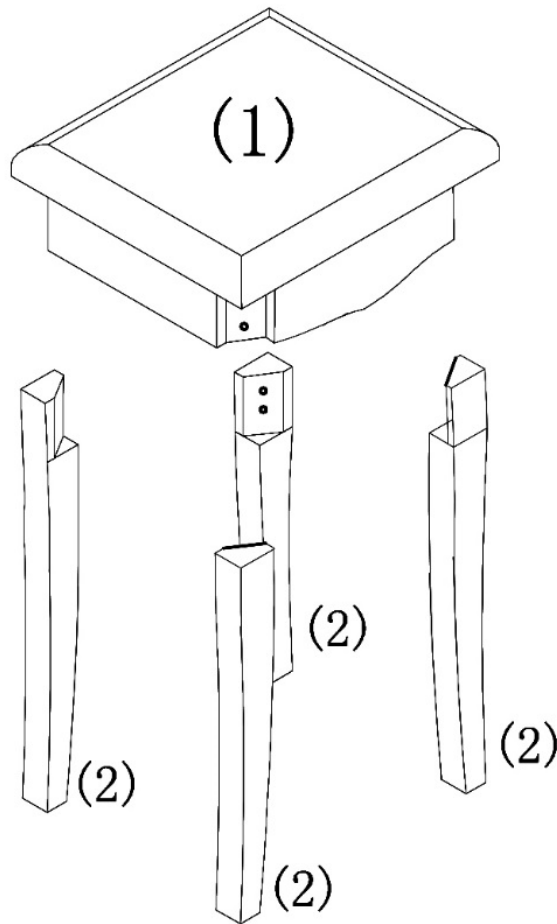
Periodically check all screws & fixings to ensure they are secure.

DO NOT push the stool as this will damage the legs.

Always lift the stool to reposition.

Keep any sharp objects away from the stool





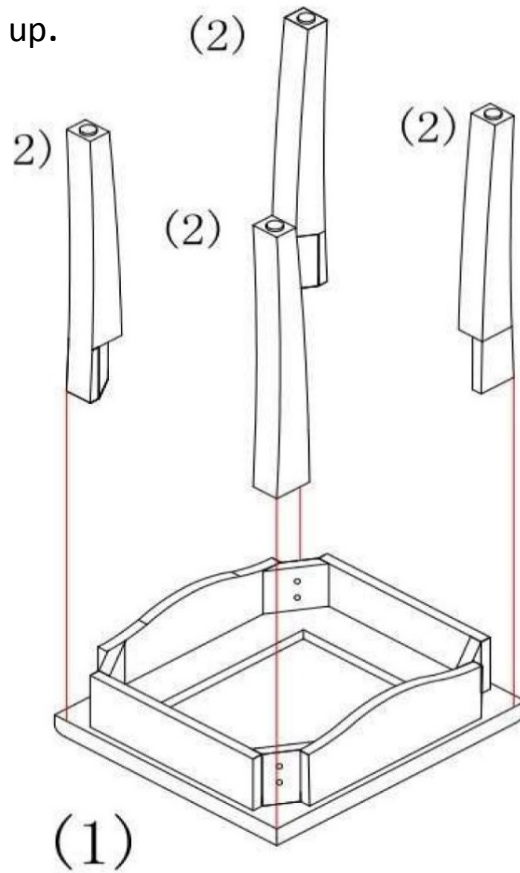
**Components supplied** – Use this guide if you require a replacement part.

Ref	Dimensions	Visual	Qty
1	50x37.5x16.5cm		1
2	43x4x2.5cm		4

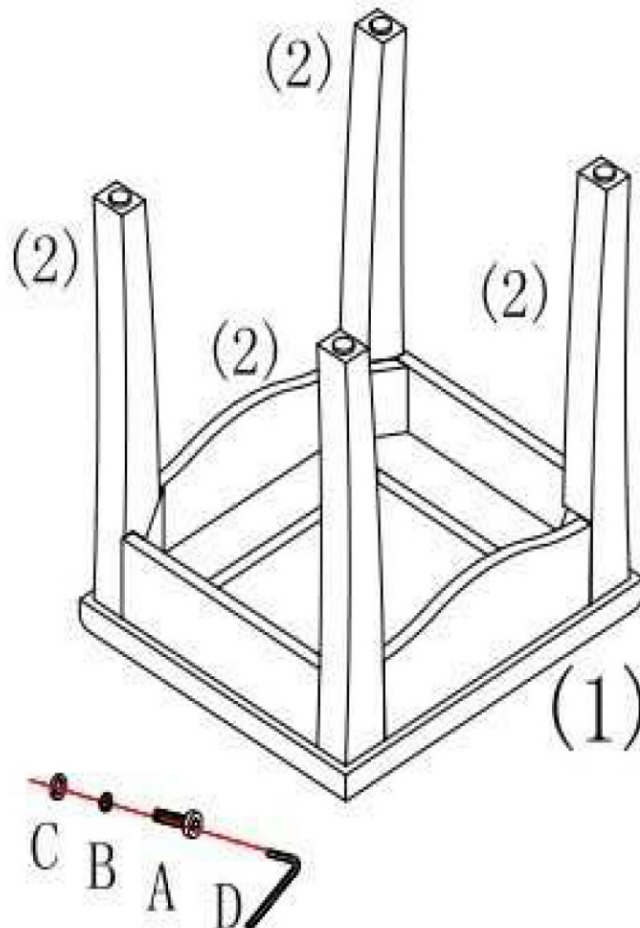
  

<b>A x8</b> m8 x40mm	<b>B x8</b> 12X9mm
<b>C x8</b> 16X9mm	<b>D x1</b> 5mm

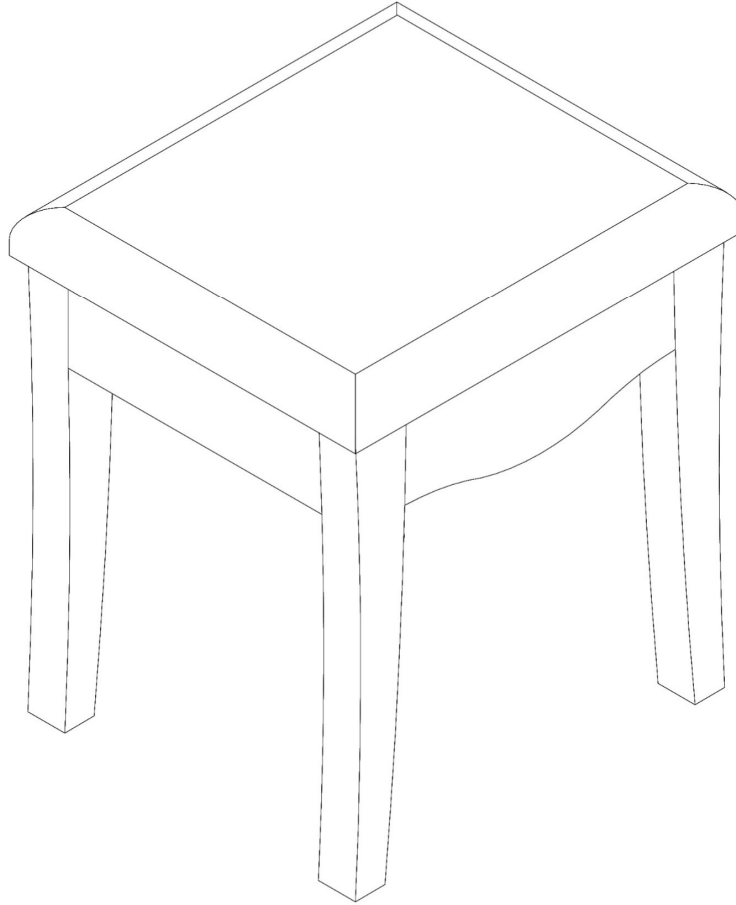
Step 1: place cushion (1) upside down on carpet, insert legs (2) in slots on cushion, ensure the holes are lined up.



Step 2: Using Bolt (A), Spring washer (B), Washer (C), and tighten with Allen Key (D).



### Step 3: Product is assembled and ready for use



#### **Additional Information:**

- For complete product information, images and dimension diagrams please visit the website [www.birlea.com](http://www.birlea.com)
- If you have any issues with your item please contact the retailer directly you purchased it from who will be able to resolve any issues with Birlea.
- Why don't you send us photos of your assembled furniture to [info@birlea.com](mailto:info@birlea.com) to be shared in our #birleahome feature on Instagram.