



Birlea

Suppliers of inspiration

Assembly Instructions

Thank you for
purchasing a
Birlea product.

For a chance to win a *Love 2 Shop* voucher simply post a picture of your new product on your preferred social channels tagging Birlea Furniture and using the hashtag **#ShareYourStyle** and **#Birlea**. One winner will be selected at random each month.

To view our full terms and conditions please visit our website. www.birlea.com

Are you happy with your purchase?

Yes: That's great, we would love to hear more from you. Please leave us a review on our social media channels or Trustpilot. Your feedback will be greatly appreciated.

No: If for any reason there is something missing, indifferent or incorrect with your order, please contact the retailer you purchased the item from. We will work with the retailer to resolve your issue as quickly as possible.



www.birlea.com

ASSEMBLY INSTRUCTIONS

Valencia Stool

IMPORTANT: READ THESE INSTRUCTIONS CAREFULLY BEFORE ASSEMBLING OR USING YOUR VALENCIA STOOL.

PLEASE KEEP THESE INSTRUCTIONS FOR FUTURE REFERENCE.

HEALTH & SAFETY:

DO NOT jump on this stool.

DO NOT use this stool if any parts are missing, damaged or worn.

DO NOT use this stool unless all fixings are secured.

Always use on a level, even surface.

WARNING: If this item is placed on a non-carpeted floor you must place some protection under all legs to stop the stool from moving. If this is not adhered to there is no guarantee if the stool collapses.

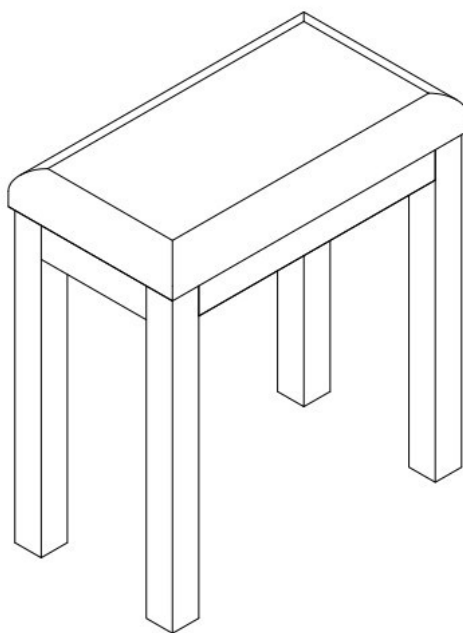
CARE & MAINTENANCE:

Periodically check all screws & fixings to ensure they are secure.

DO NOT push the stool as this will damage the legs.

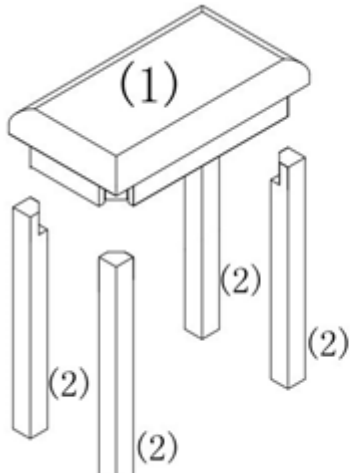




Always lift the stool to reposition.

Keep any sharp objects away from the stool

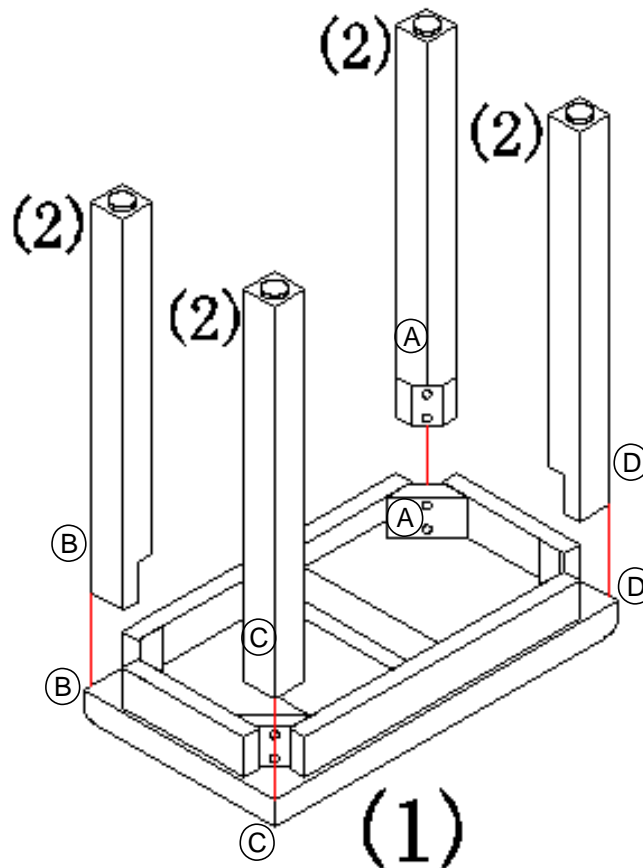


Parts

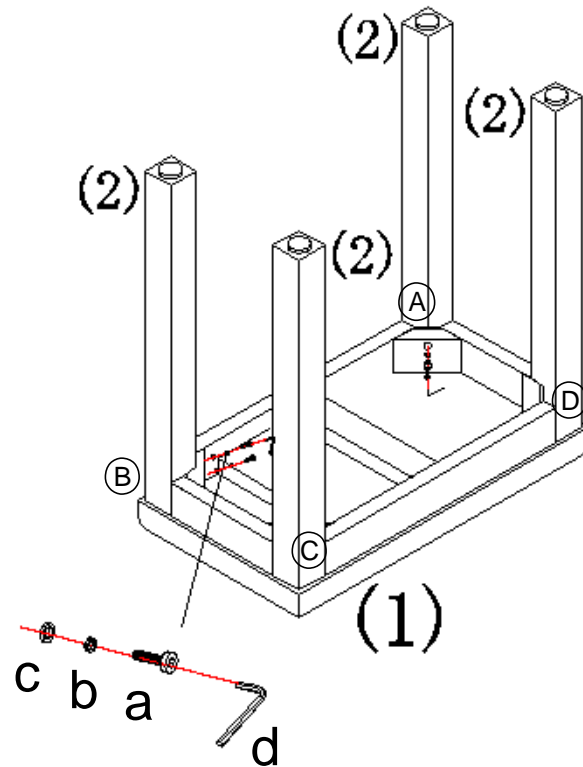
Fittings

	<p>a  M8 x 8pcs</p>
	<p>b  spring washer x 8pcs</p>
	<p>c  washer x8pcs</p>
	<p>d  6mm Allen key × 1PCS</p>

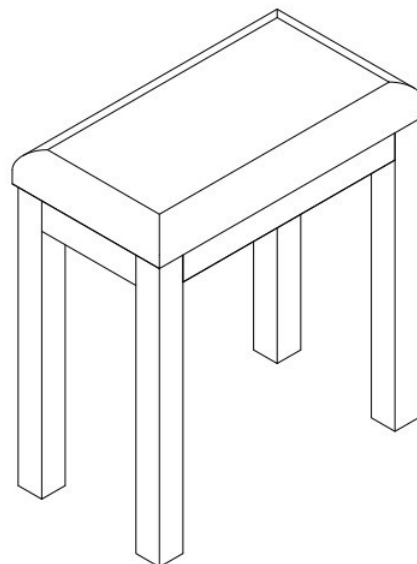
Step 1: place cushion (1) upside down on carpet, insert legs (2) in slots on cushion, ensure the holes are lined up.



Step 2: Using Bolt (a), Spring washer (b), Washer (c), and tighten with Allen Key (d).



Step 3: Product is assembled and ready for use



Additional Information:

- For complete product information, images and dimension diagrams please visit the website www.birlea.com
- If you have any issues with your item please contact the retailer directly you purchased it from who will be able to resolve any issues with Birlea.
- Why don't you send us photos of your assembled furniture to info@birlea.com to be shared in our #birleahome feature on Instagram.