



Birlea

Suppliers of inspiration

Assembly Instructions

Thank you for
purchasing a
Birlea product.

For a chance to win a *Love 2 Shop* voucher simply post a picture of your new product on your preferred social channels tagging Birlea Furniture and using the hashtag **#ShareYourStyle** and **#Birlea**. One winner will be selected at random each month.

To view our full terms and conditions please visit our website. www.birlea.com

Are you happy with your purchase?

Yes: That's great, we would love to hear more from you. Please leave us a review on our social media channels or Trustpilot. Your feedback will be greatly appreciated.

No: If for any reason there is something missing, indifferent or incorrect with your order, please contact the retailer you purchased the item from. We will work with the retailer to resolve your issue as quickly as possible.



www.birlea.com

ASSEMBLY INSTRUCTIONS

CORONA 2 DRAWER WITH SHELF CONSOLE TABLE

IMPORTANT: READ THESE INSTRUCTIONS CAREFULLY BEFORE ASSEMBLING OR USING YOUR CORONA 2 DRAWER WITH SHELF CONSOLE TABLE.

PLEASE KEEP THESE INSTRUCTIONS FOR FUTURE REFERENCE.

HEALTH & SAFETY:

DO NOT use this item if any parts are missing, damaged or worn.

DO NOT use this item unless all fixings are secured.

Please keep small parts out of reach of children.

Always use on a level, even surface.

It is recommended that two people handle and assemble the item.

Birlea advise you use the wall straps provided to further enhance the safety of this product.

CARE & MAINTENANCE:

Assemble in the room of use.

To avoid damages assemble the item on a soft, clean surface

Periodically check all screws & fixings to ensure they are secure.

DO NOT push the item as this will damage the base.

Always lift the item with two people to reposition.

Keep any sharp objects away from the item.

This product is manufactured in pine which is a wood with natural characteristics including knots, grains, clusters or indentations.

On unpacking the item you may notice an odour due to production processes but this will disappear after a period of time.

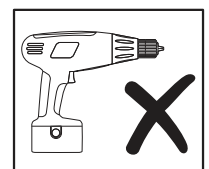
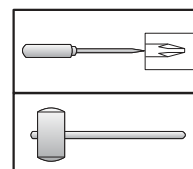
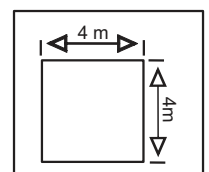
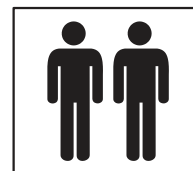
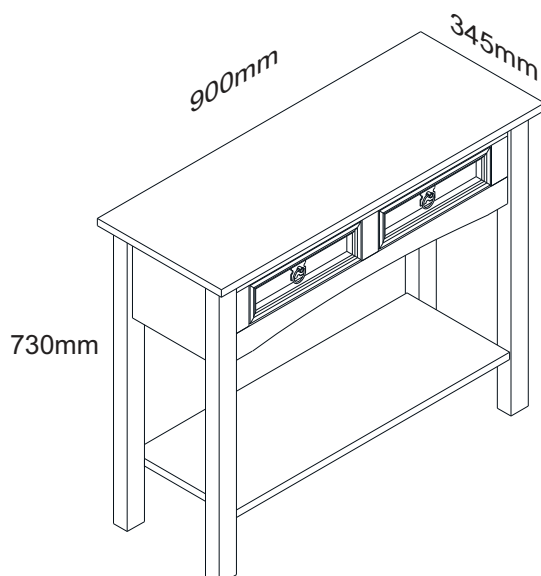
DO NOT place the item next to a radiator or direct sunlight – this item is susceptible to temperature change.

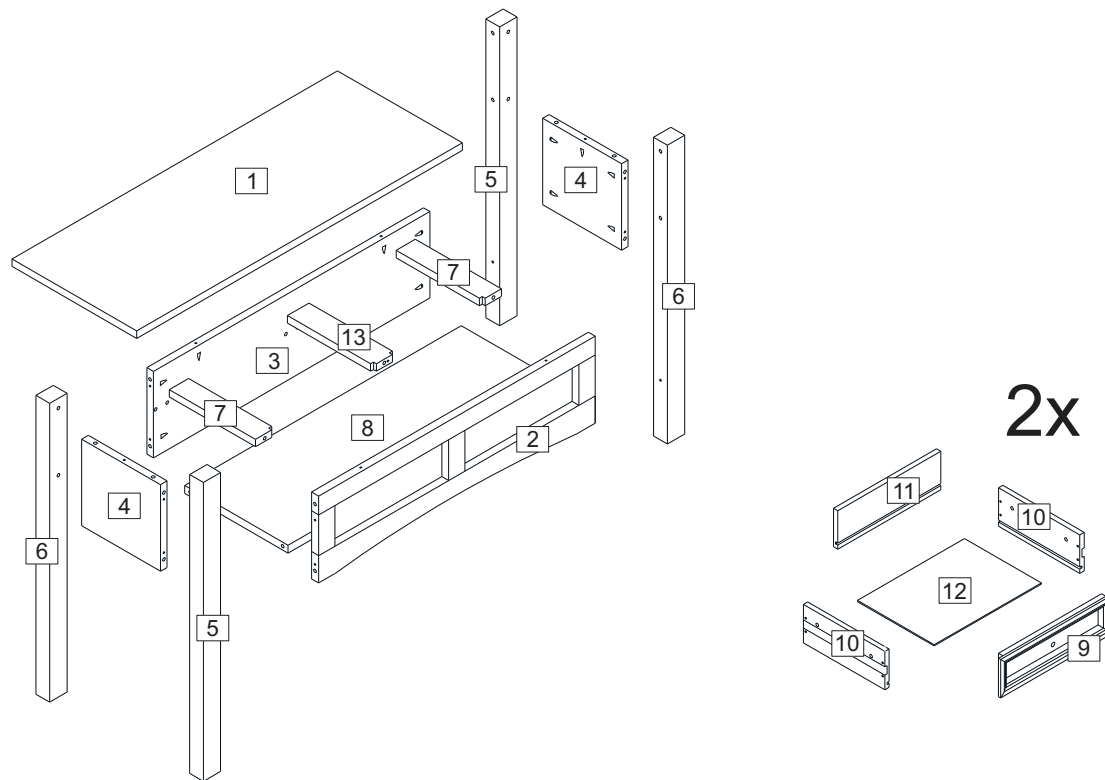
It is recommended an even room temperature be maintained with no sudden fluctuations.

DO NOT place hot or cold items directly onto the surface of the item as marking will occur

For general cleaning use a duster or damp cloth (almost dry) not wet – do not use soap and water, detergents, aerosol sprays or any polish as use of these materials would invalidate any claims.

DO NOT place the item onto wet or damp flooring as staining may occur to the floor.







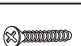







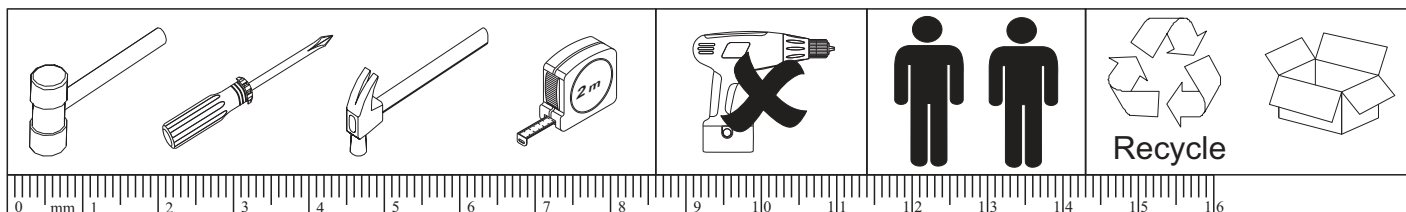
PARTS LIST

Part	Item	Qty	Part	Item	Qty
1	Top Panel	1	8	Shelf Panel	1
2	Front Panel	1	9	Drawer Front	2
3	Back Panel	1	10	Drawer Side	4
4	Side Panel	2	11	Drawer Back	2
5	Leg Pack	2	12	Drawer Base	2
6	Leg Pack	2	13	Centre Drawer Runner	1
7	Side Drawer Runnner	2			

HARDWARE LIST

Part	Item	Qty	Part	Item	Qty
A	Wooden dowel 	33	F	Locking nut 	4
B	30 mm Screw 	16	G	Handle 	2
C	35mm Screw 	24	H	14mm Screw 	1
D	19mm Bolt 	2	I	Wall Strap 	1
E	Metal dowel 	4	J	Washer 	2

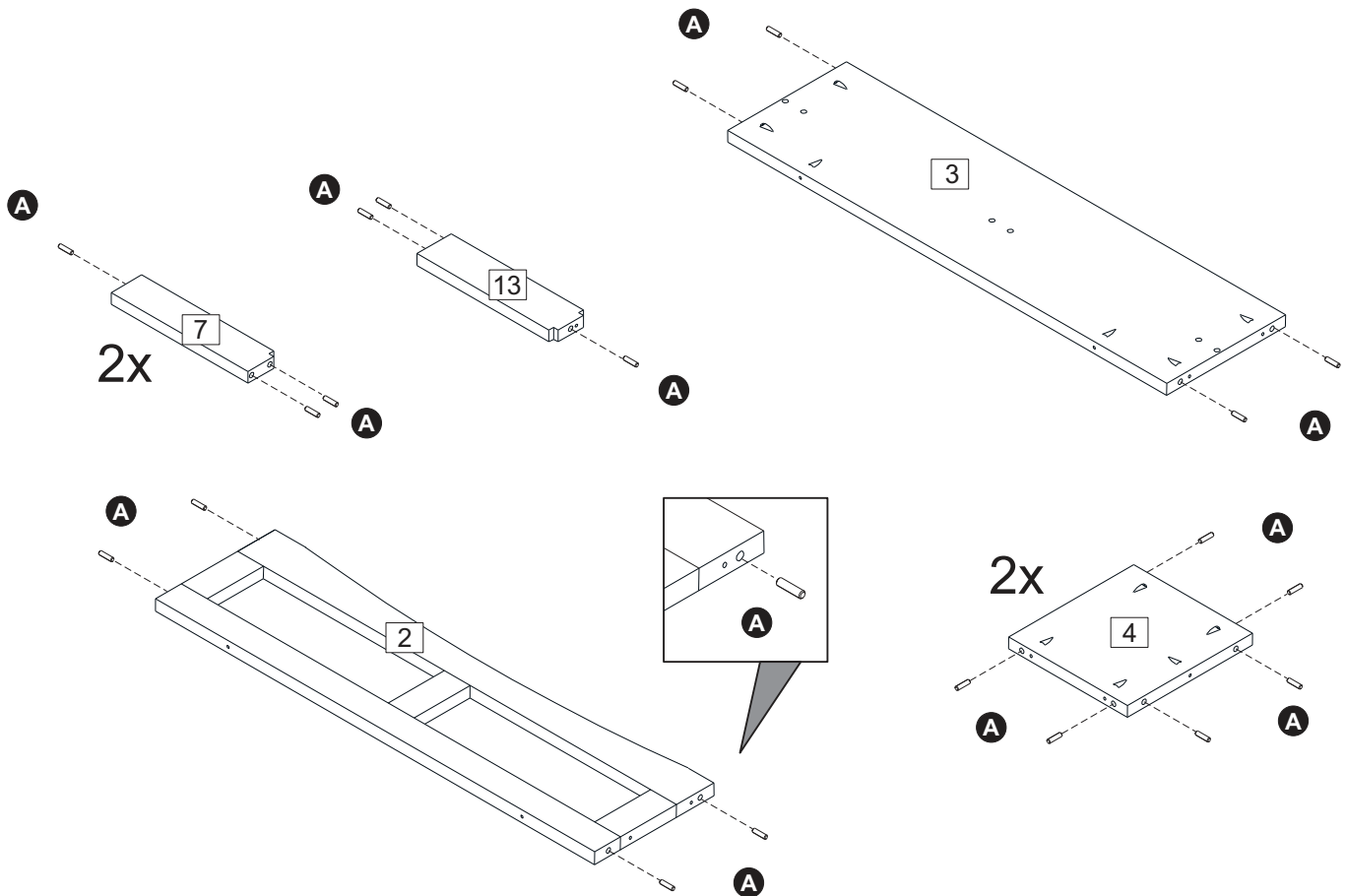
** You will need a small mallet and a screwdriver.



STEP 1: Insert Hardware (A) into the holes shown.

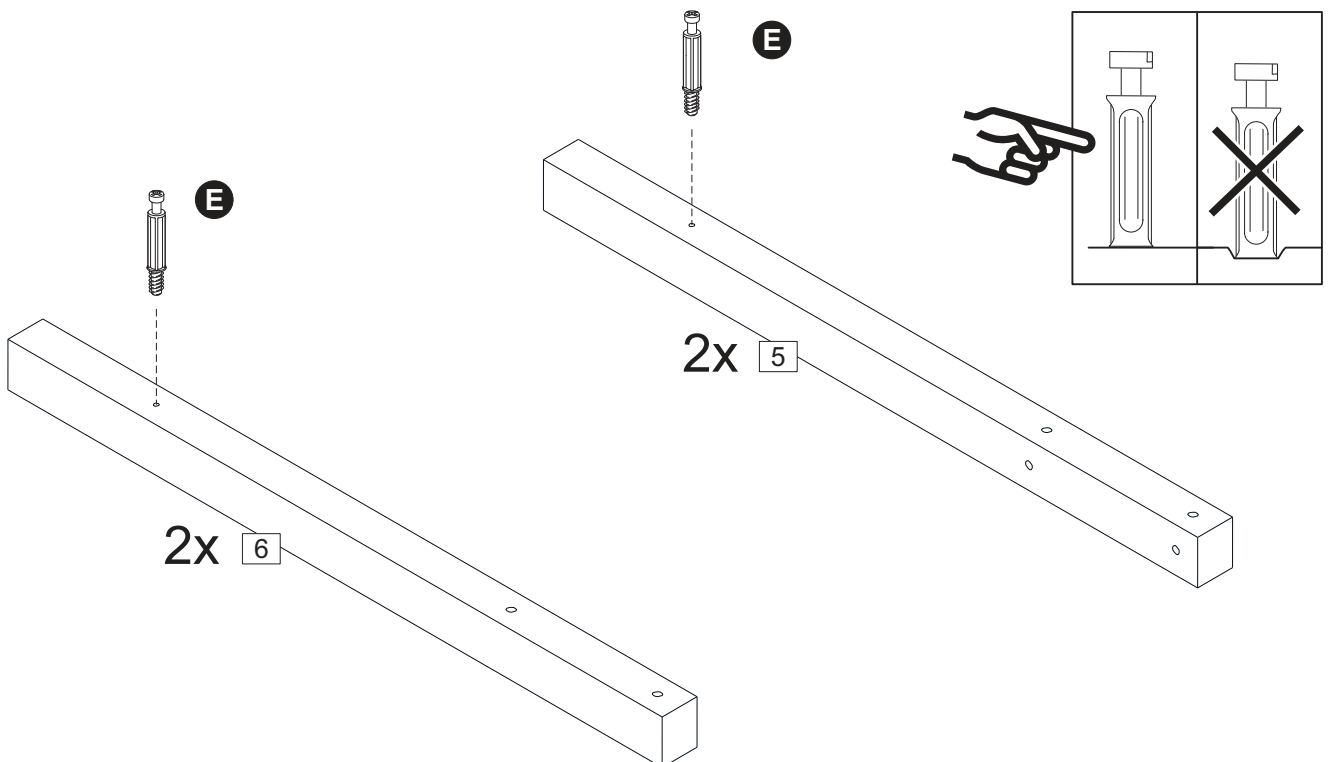
Vendor: S000238

Do NOT use any power tools as this may damage the frame and will invalidate any claim.



STEP 2: Attach leg (5) and (6) using hardware (E) and a screwdriver (not provided).

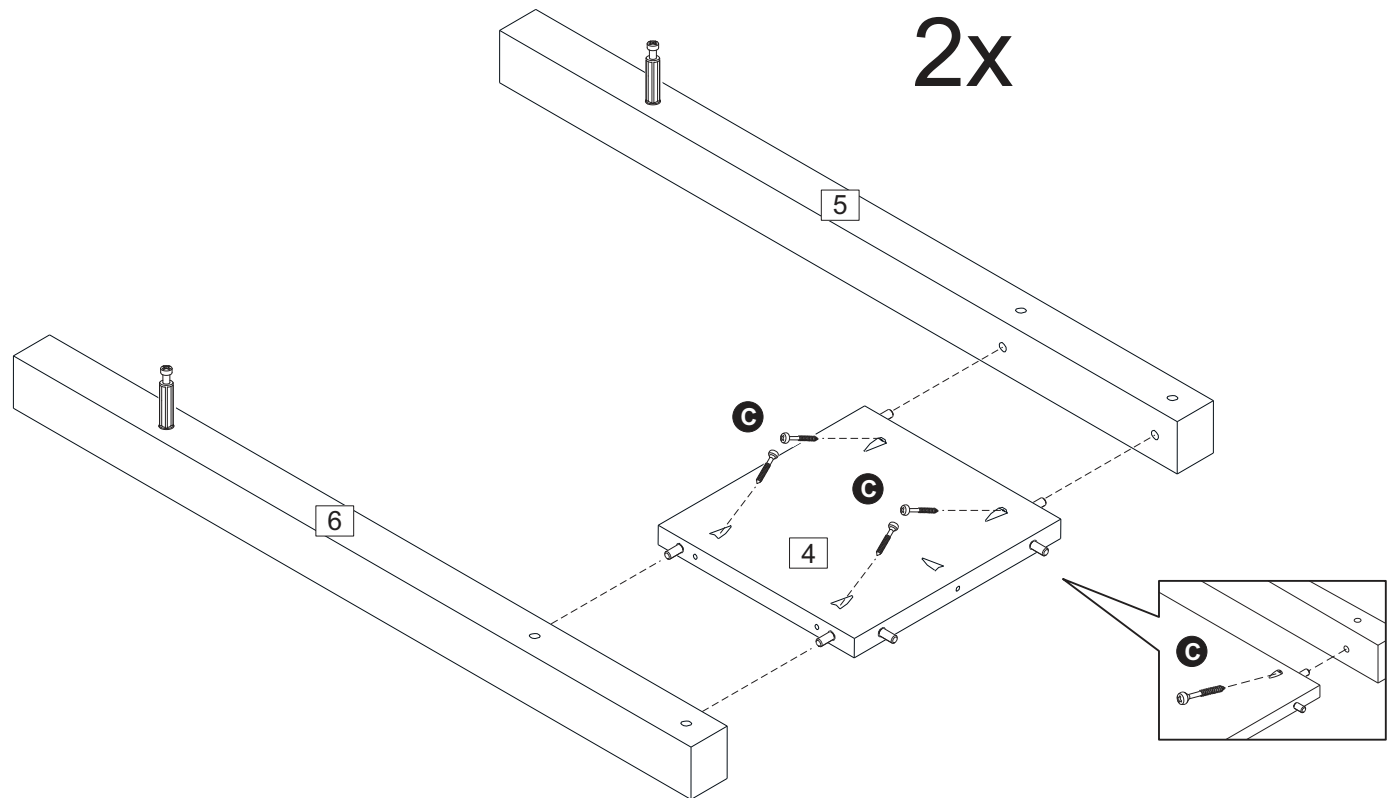
Do NOT use any power tools as this may damage the frame and will invalidate any claim.



STEP 3: Attach Leg (5) and (6) to part (4), using hardware part (C) .

Vendor: S000238

Do NOT use any power tools as this may damage the frame and will invalidate any claim.

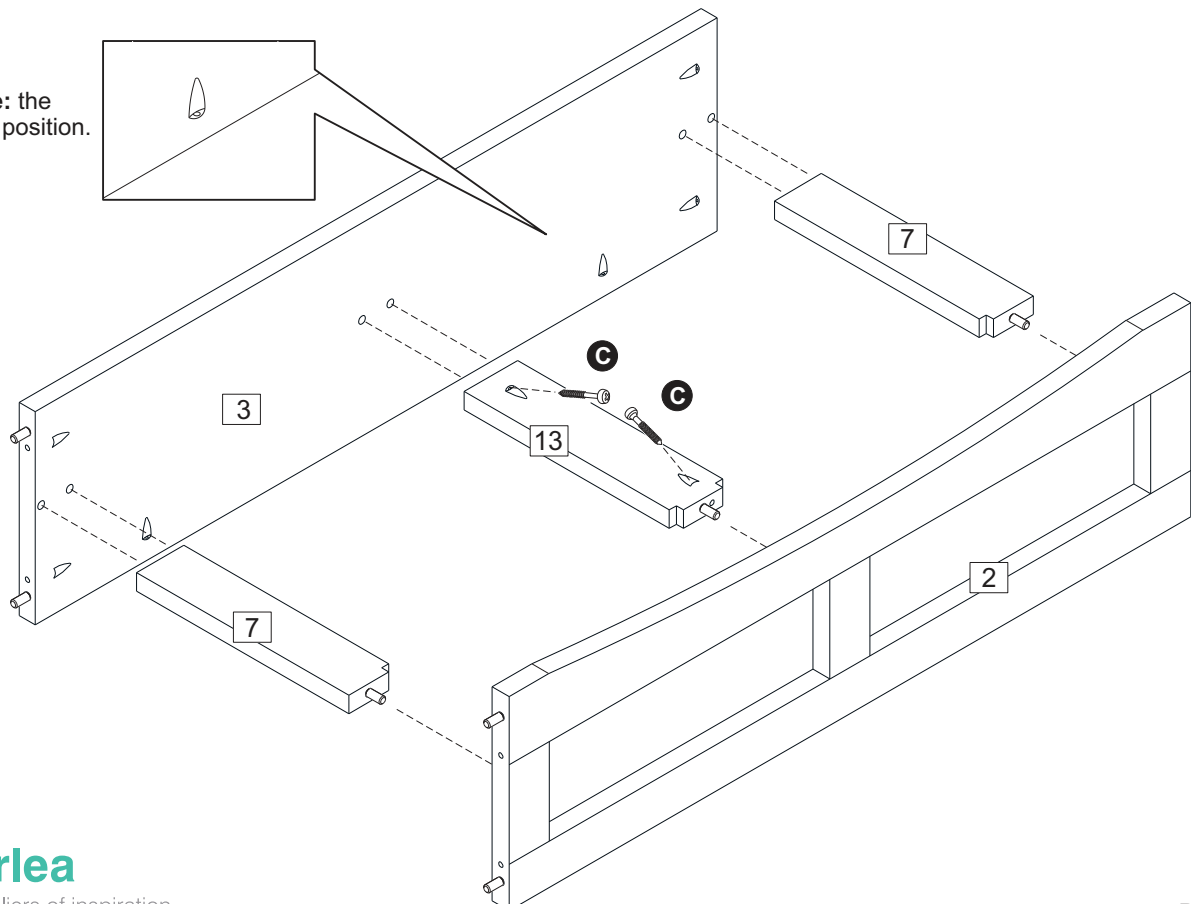


STEP 4: Attach the front panel (2) and Back Panel (3) to the side drawer runner (7) and the centre drawer runner (13) using hardware part (C) and a screwdriver (not provided)

Do NOT use any power tools as this may damage the frame and will invalidate any claim.

Do NOT use any power tools as this may damage the frame and will invalidate any claim.

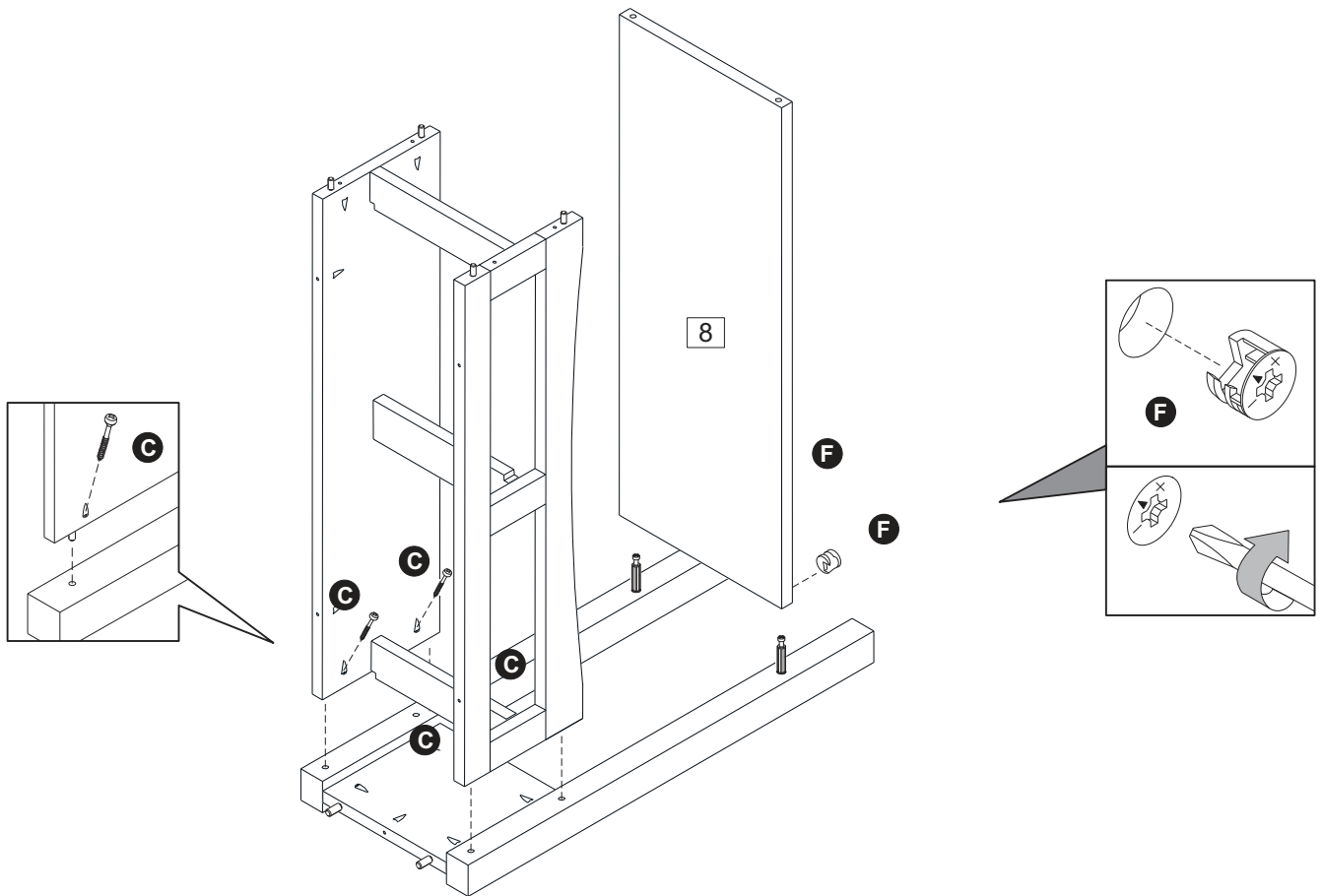
Note: the hole position.



STEP 5: Attach the assembled frame using hardware part (C) then insert the shelf panel (8) using hardware part (F) and a screwdriver (not provided).

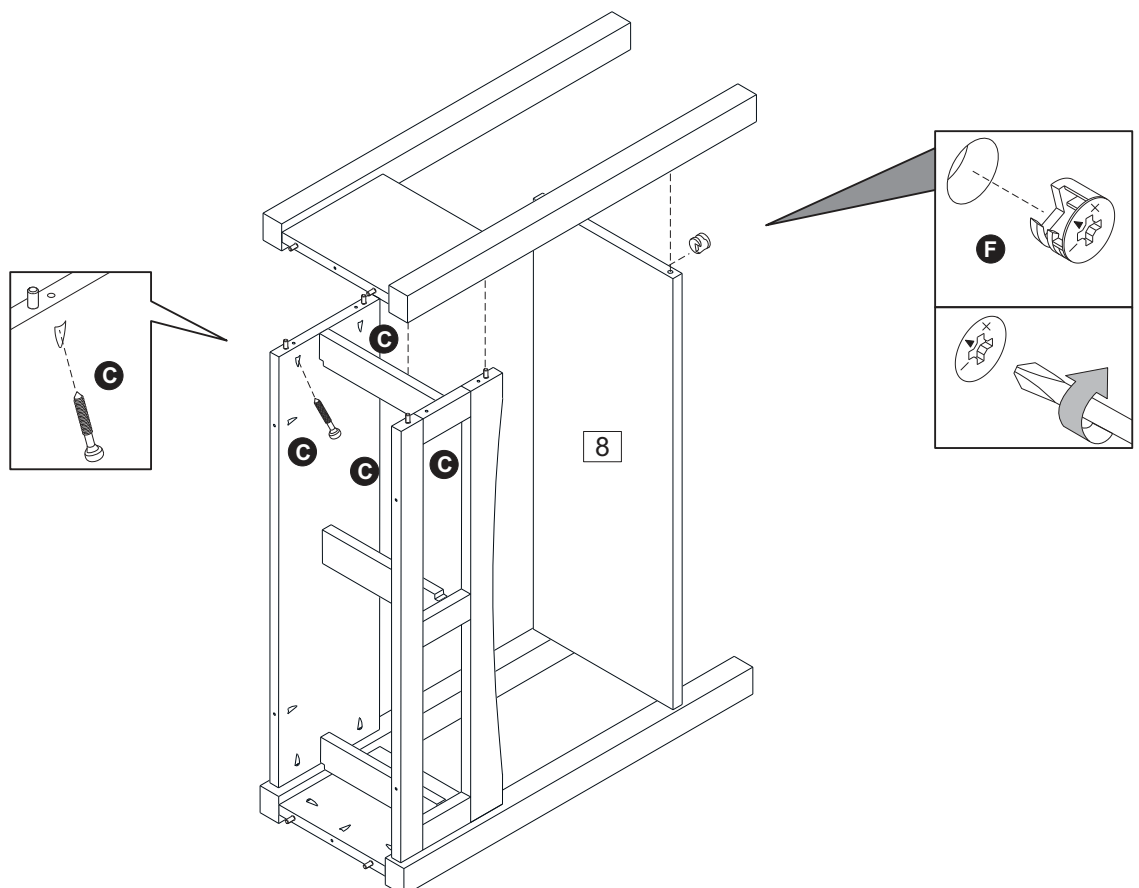
Vendor: S000238

Do NOT use any power tools as this may damage the frame and will invalidate any claim.



STEP 6: Attach the side assembled frame using hardware part (C) and insert hardware part (F) into the shelf panel (8) using a screwdriver (not provided).

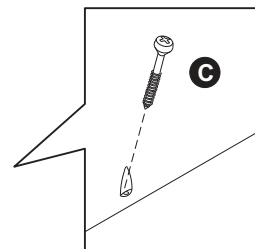
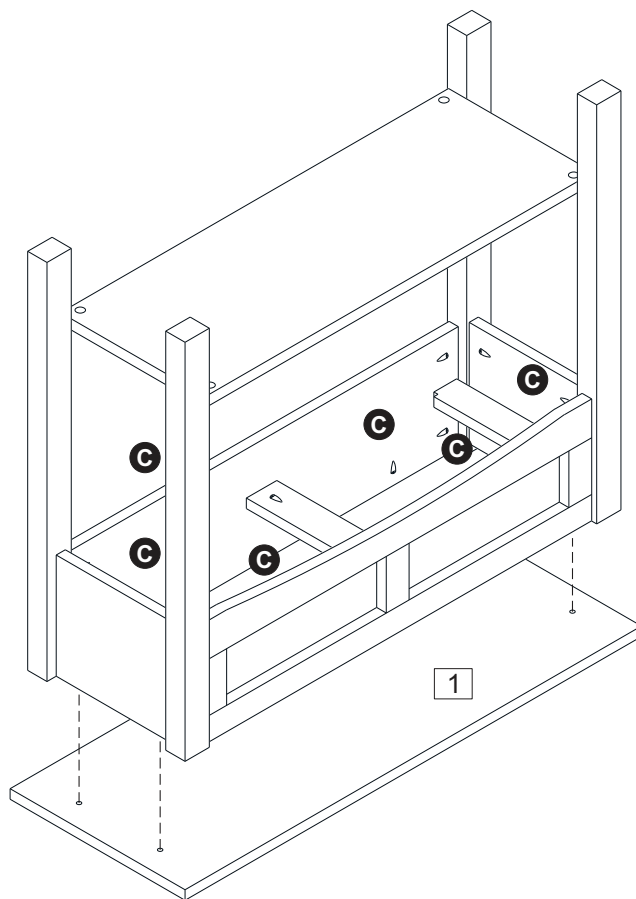
Do NOT use any power tools as this may damage the frame and will invalidate any claim.



STEP 7: Attach the assembled frame to the top panel (1) using hardware part (C).

Vendor: S000238

Do NOT use any power tools as this may damage the frame and will invalidate any claim.

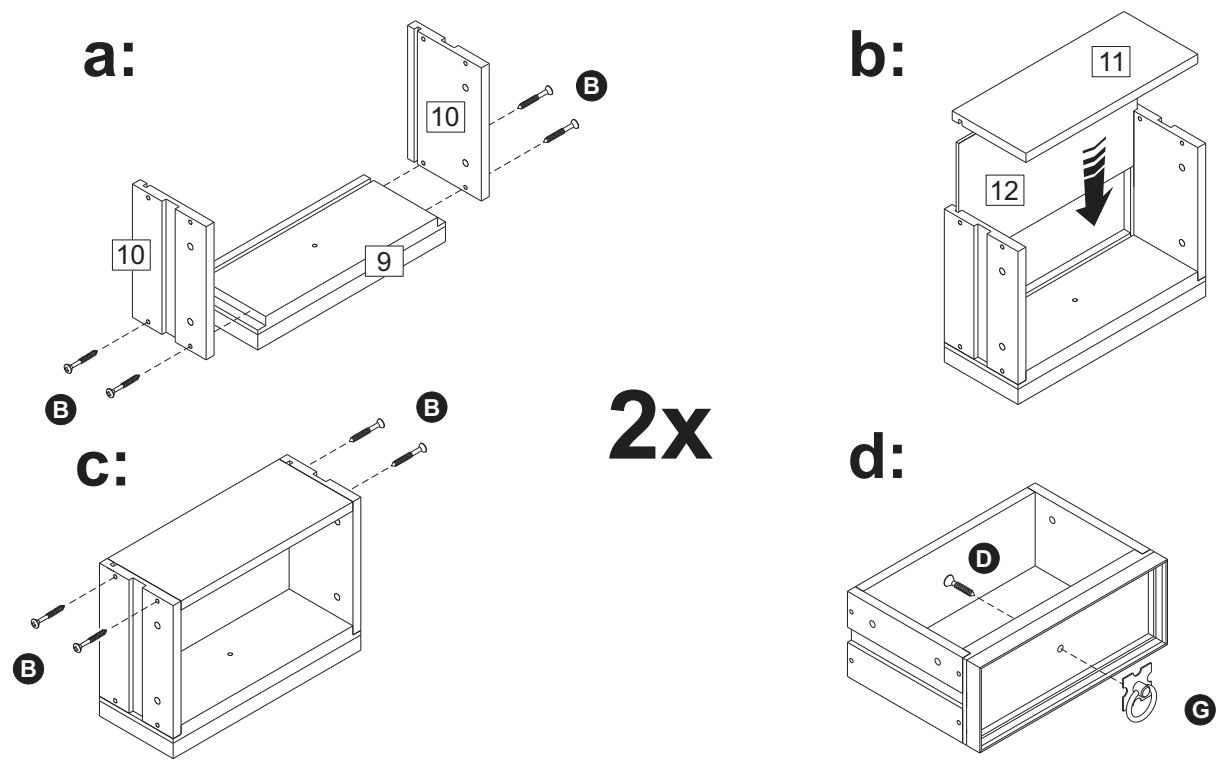


STEP 8: Attach the drawer side (10) to the drawer front (9) using hardware part (B)

and insert the drawer base (12) into the assembled frame and attached the drawer back (11) using hardware part (B).

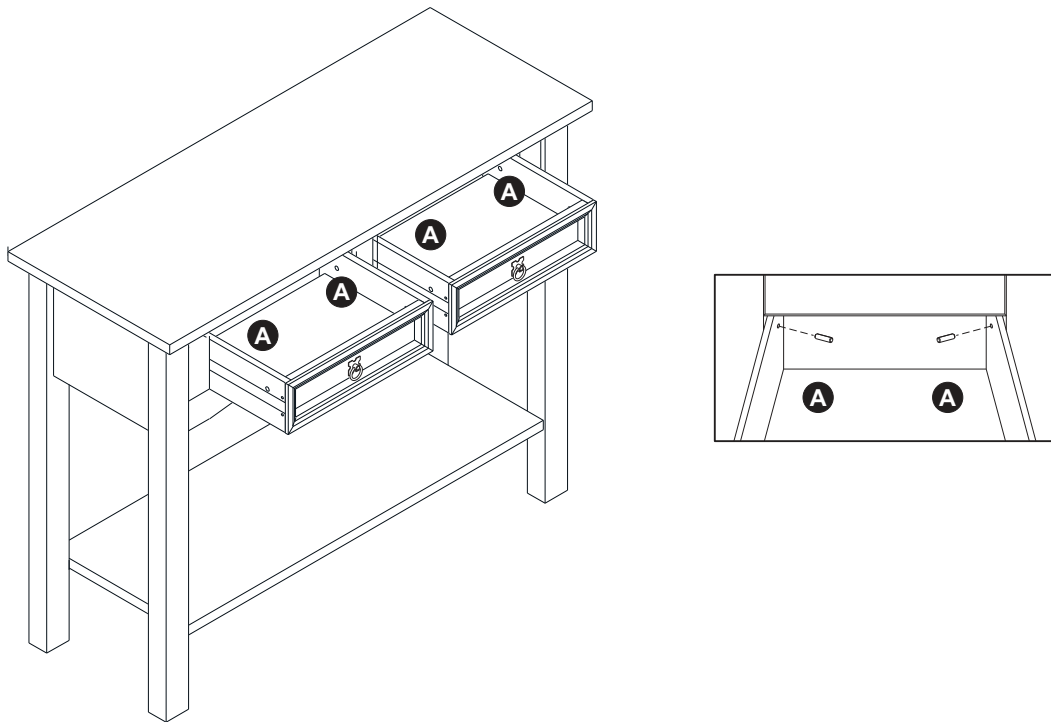
Fix hardware part (G) to the drawer front (9) using hardware part (D) and a screwdriver (not provided)

Do NOT use any power tools as this may damage the frame and will invalidate any claim.



STEP 9: Insert the drawers as shown using hardware (A) with a screwdriver (not provided).
Do NOT use any power tools as this may damage the frame and will invalidate any claim.

Vendor: S000238

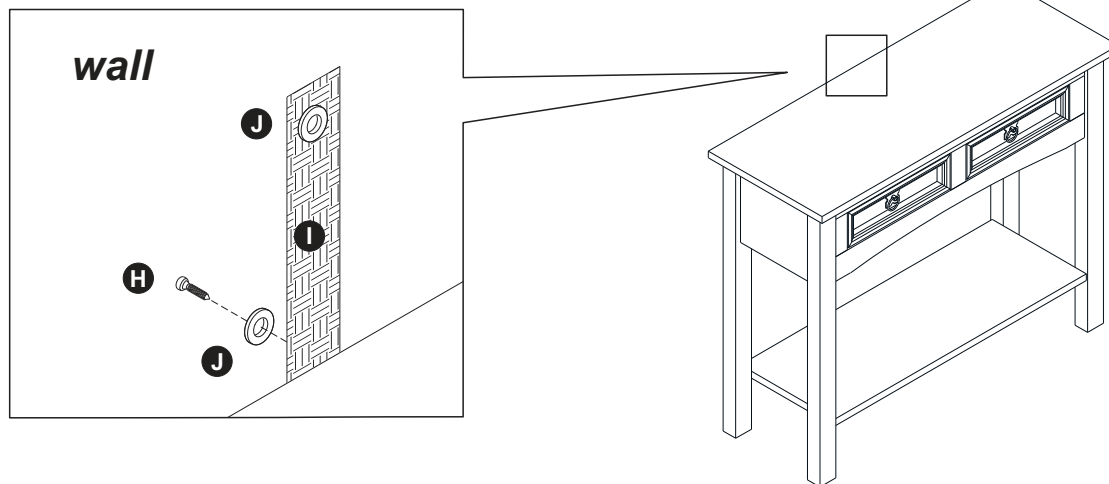


Step 10: Fix wall strap (I) to the top of the console table using a washer (J) and a screw (H).

With help, move furniture into position.

Wall plug and screw are not supplied to attach the wall strap to the wall.

The correct type of fixing must be used for your wall, seek professional advice if in doubt.



Additional Information:

- For complete product information, images and dimension diagrams please visit the website www.birlea.com
- If you have any issues with your item please contact the retailer directly you purchased it from who will be able to resolve any issues with Birlea.
- Why don't you send us photos of your assembled furniture to info@birlea.com to be shared in our #birleahome feature on Instagram.