



# Birlea

Suppliers of inspiration

Vendor: S000238



## ASSEMBLY INSTRUCTIONS

### CORONA 3 + 2 CHEST PINE

**IMPORTANT: READ THESE INSTRUCTIONS CAREFULLY BEFORE ASSEMBLING OR USING YOUR CORONA 3 + 2 CHEST PINE.**

**PLEASE KEEP THESE INSTRUCTIONS FOR FUTURE REFERENCE.**

#### **HEALTH & SAFETY:**

DO NOT use this item if any parts are missing, damaged or worn.

DO NOT use this item unless all fixings are secured.

Please keep small parts out of reach of children.

Always use on a level, even surface.

It is recommended that two people handle and assemble the item.

Birlea advise you use the wall straps provided to further enhance the safety of this product.

#### **CARE & MAINTENANCE:**

Assemble in the room of use.

To avoid damages assemble the item on a soft, clean surface

Periodically check all screws & fixings to ensure they are secure.

DO NOT push the item as this will damage the base.

Always lift the item with two people to reposition.

Keep any sharp objects away from the item.

This product is manufactured in pine which is a wood with natural characteristics including knots, grains, clusters or indentations.

On unpacking the item you may notice an odour due to production processes but this will disappear after a period of time.

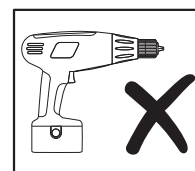
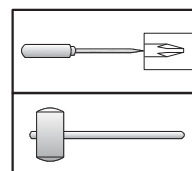
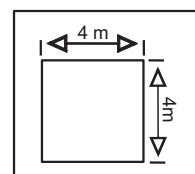
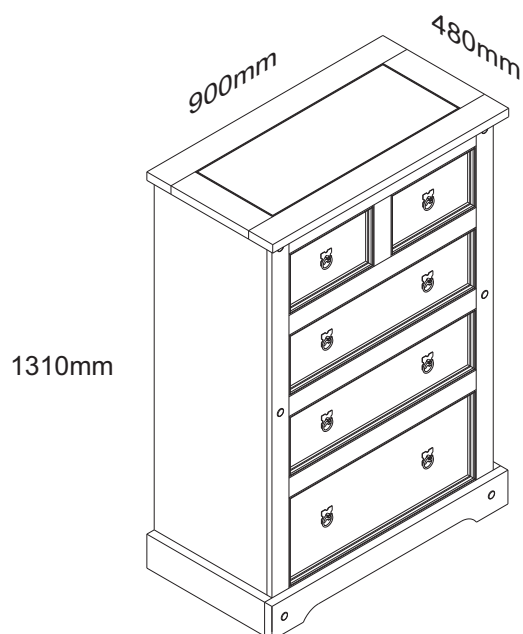
DO NOT place the item next to a radiator or direct sunlight – this item is susceptible to temperature change.

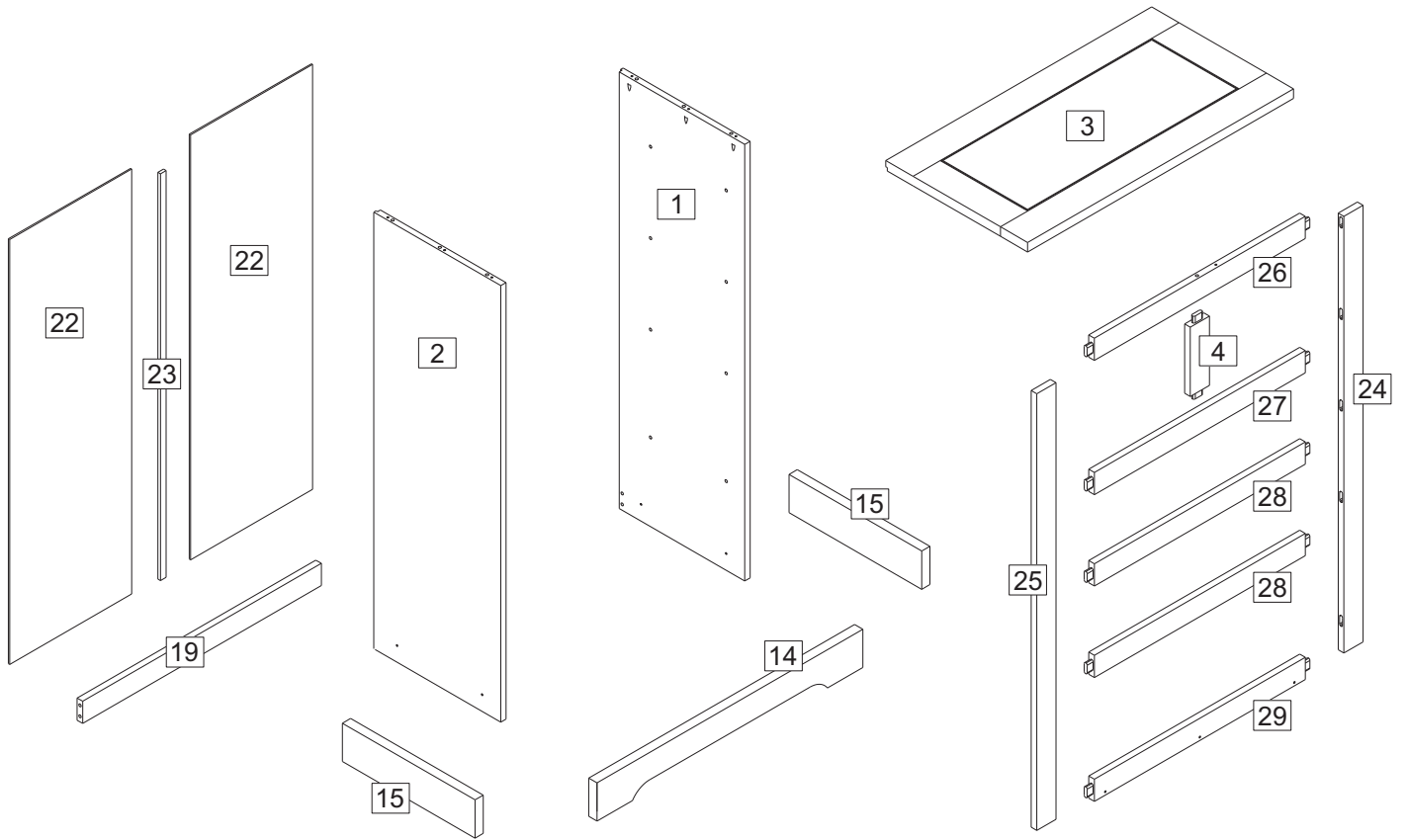
It is recommended an even room temperature be maintained with no sudden fluctuations.

DO NOT place hot or cold items directly onto the surface of the item as marking will occur

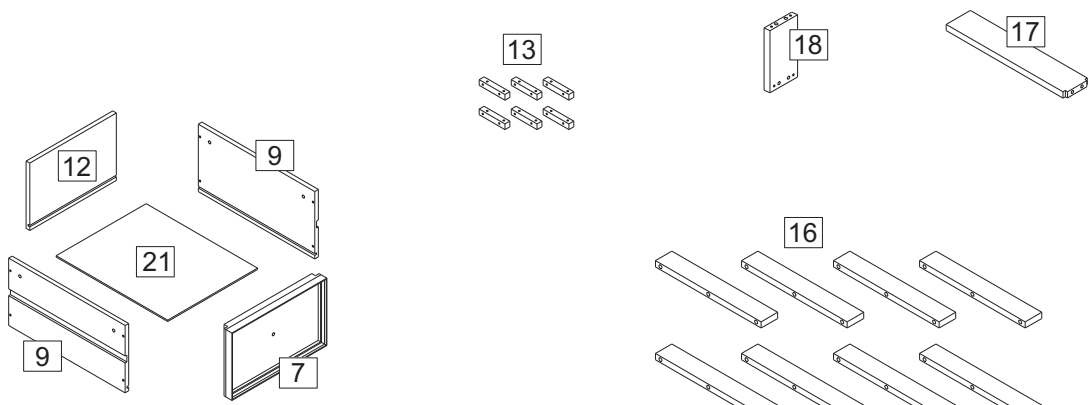
For general cleaning use a duster or damp cloth (almost dry) not wet – do not use soap and water, detergents, aerosol sprays or any polish as use of these materials would invalidate any claims.

DO NOT place the item onto wet or damp flooring as staining may occur to the floor.

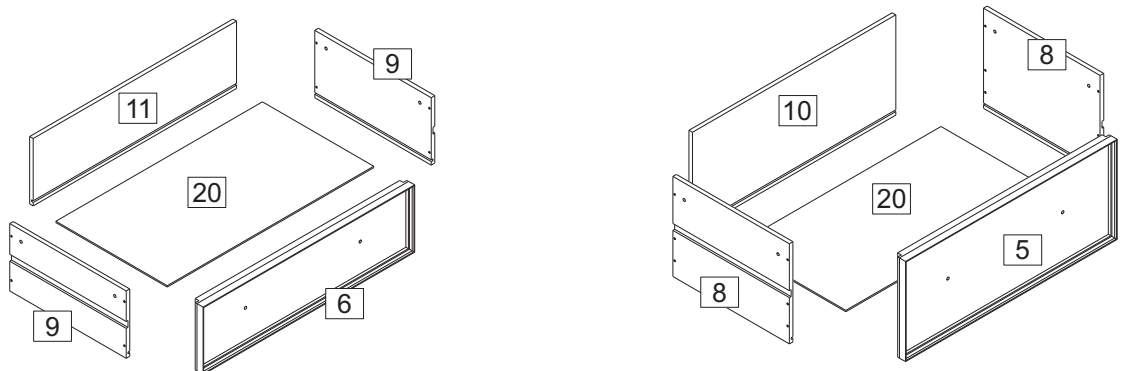




2x



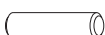





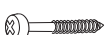
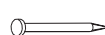
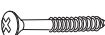

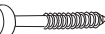

2x



## PARTS LIST

Part	Item	Qty	Part	Item	Qty
1	Right Side Panel	1	16	Side Drawer Runner	8
2	Left Side Panel	1	17	Middle Drawer Runner	1
3	Top Panel	1	18	Back Column	1
4	Front Frame	1	19	Cross Rail	1
5	Bottom Drawer Front	1	20	Large Drawer Bottom	3
6	Middle Drawer Front	2	21	Smaller Drawer Bottom	2
7	Top Drawer Front	2	22	Back Panel	2
8	Larger Drawer Side	2	23	H Profile	1
9	Smaller Drawer Side	8	24	Right front frame	1
10	Bottom Drawer Back	1	25	Left front frame	1
11	Middle Drawer Back	2	26	Top front frame	1
12	Top Drawer Back	2	27	Center front frame	1
13	Block	6	28	Center front frame	2
14	Front Plinth	1	29	Bottom front frame	1
15	Side Pinth	2			

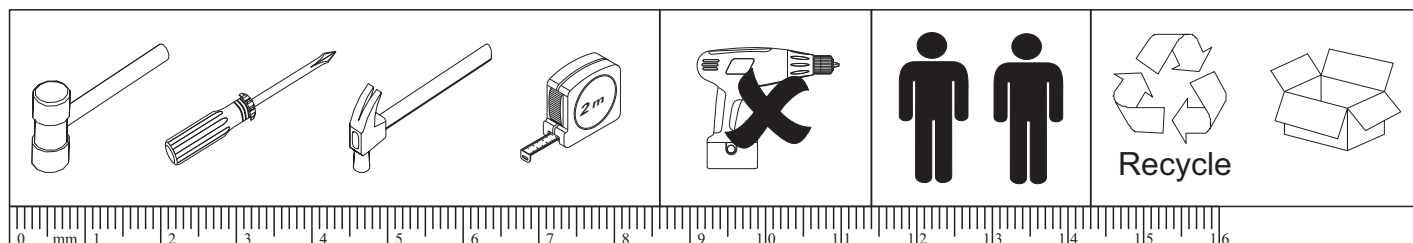
## HARDWARE LIST

Part	Item	Qty	Part	Item	Qty
<b>A</b>	Wooden dowel 	51	<b>G</b>	19mm Bolt 	8
<b>B</b>	14mm Screw 	8	<b>H</b>	Handle 	8
<b>C</b>	35mm Screw 	51	<b>J</b>	Stud 	6
<b>D</b>	35mm Screw 	36	<b>K</b>	Tack 	36
<b>E</b>	40mm Screw 	2	<b>L</b>	Wall Strap 	1
<b>F</b>	50mm Screw 	24	<b>M</b>	Washer 	2

\*\* You will need a small mallet and a screwdriver.

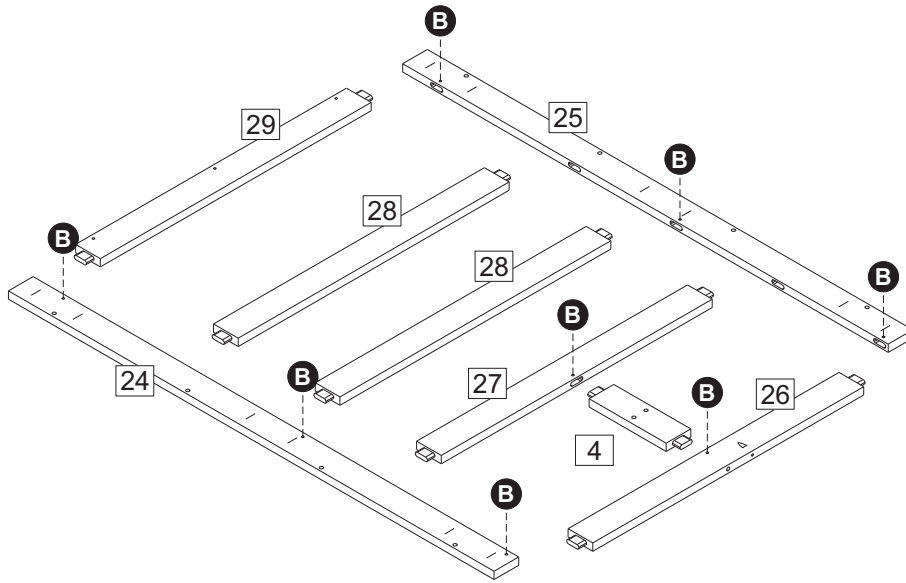
**Wall plug and screw are not supplied to attach the wall strap to the wall.**

**The correct type of fixing must be used for your wall, seek professional advice if in doubt.**

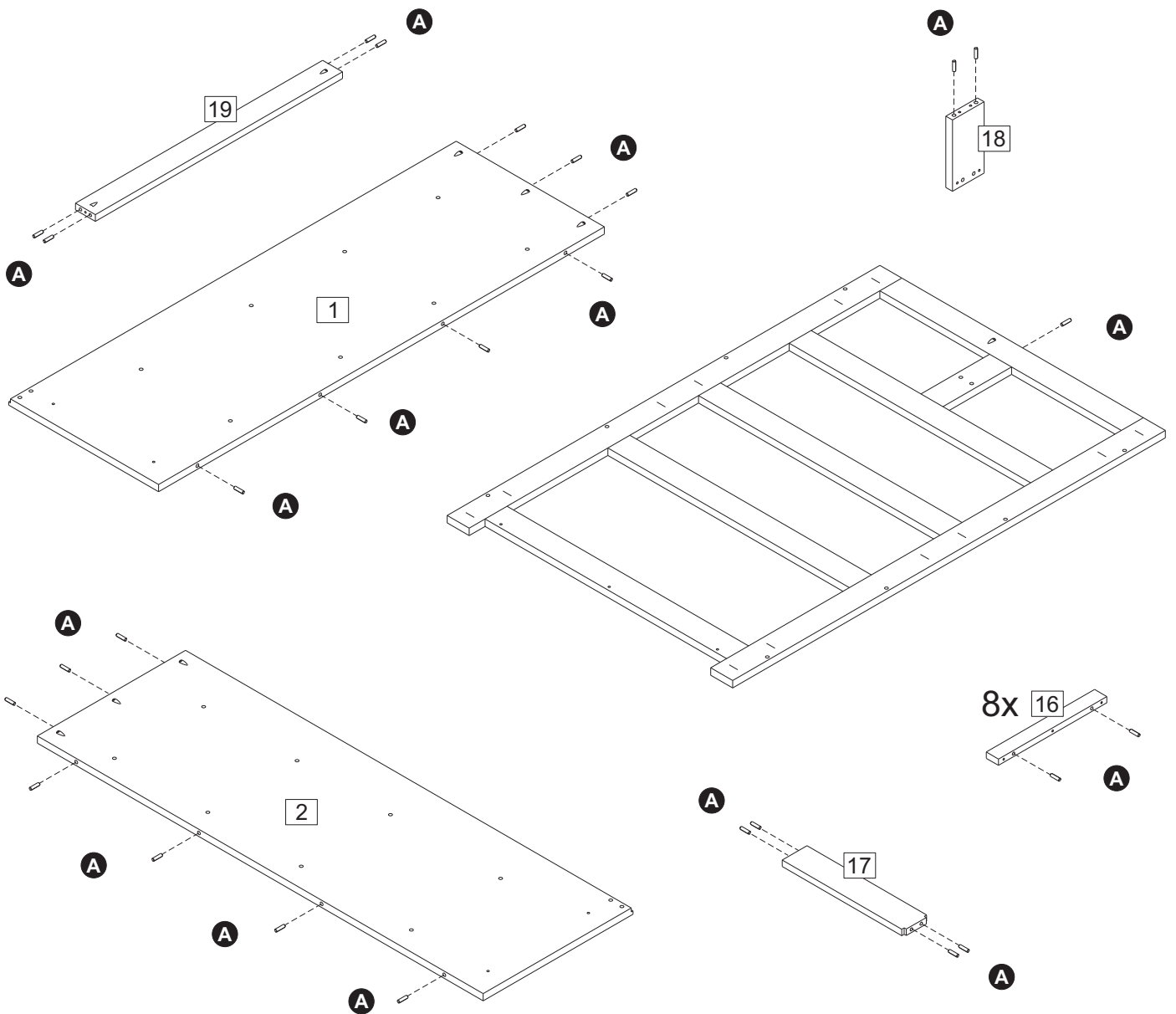


STEP 1:

Vendor: S000238

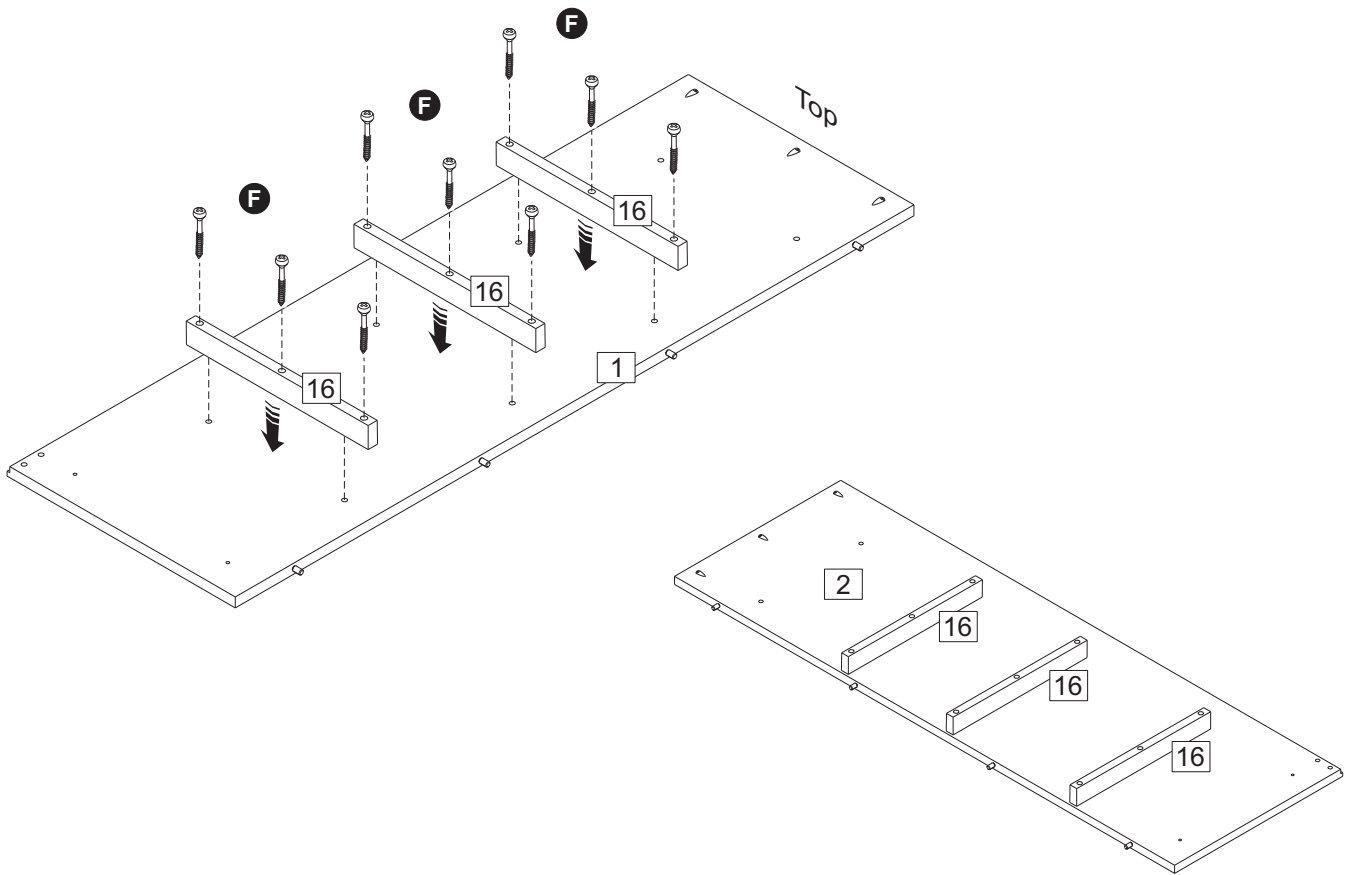


Step 2:

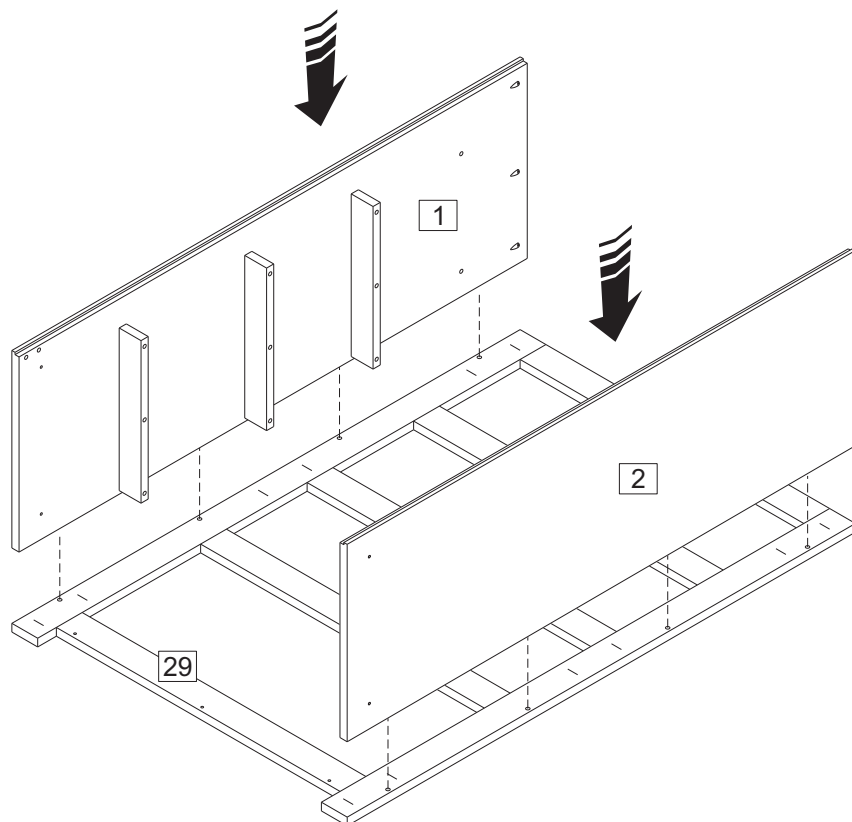


**STEP 3:**

Vendor: S000238

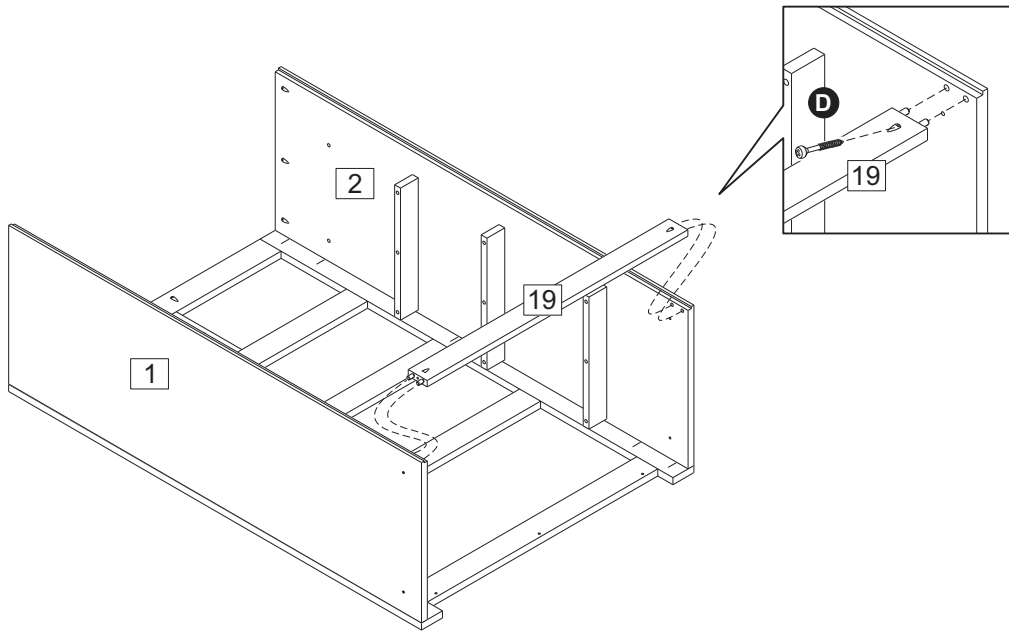


**STEP 4:**

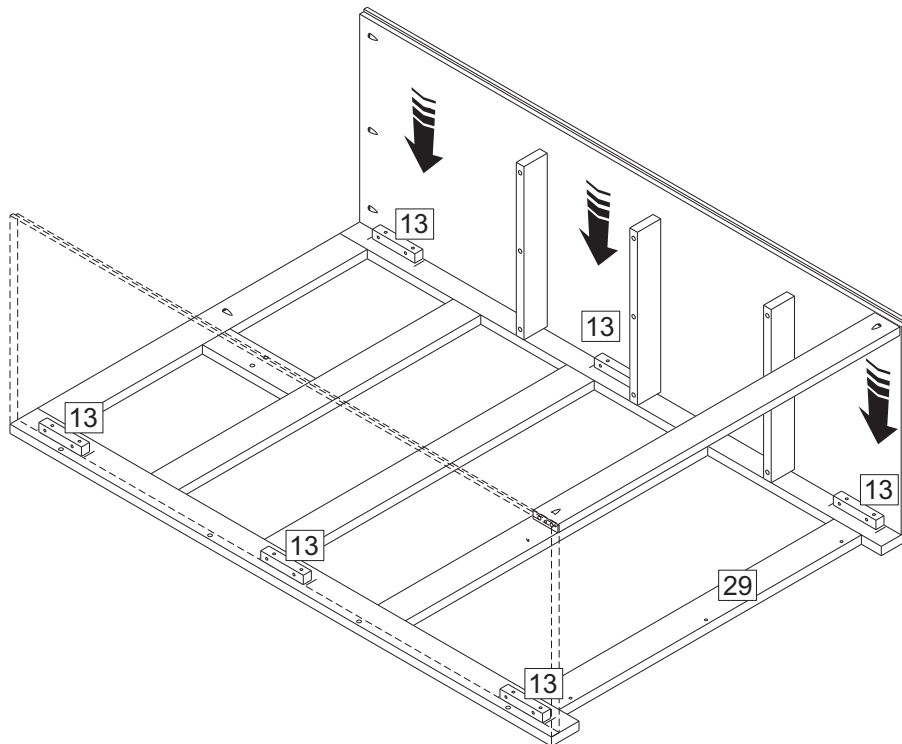


STEP 5:

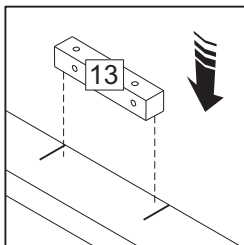
Vendor: S000238



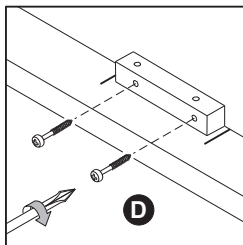
STEP 6:



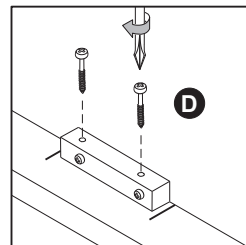
**a:**



**b:**

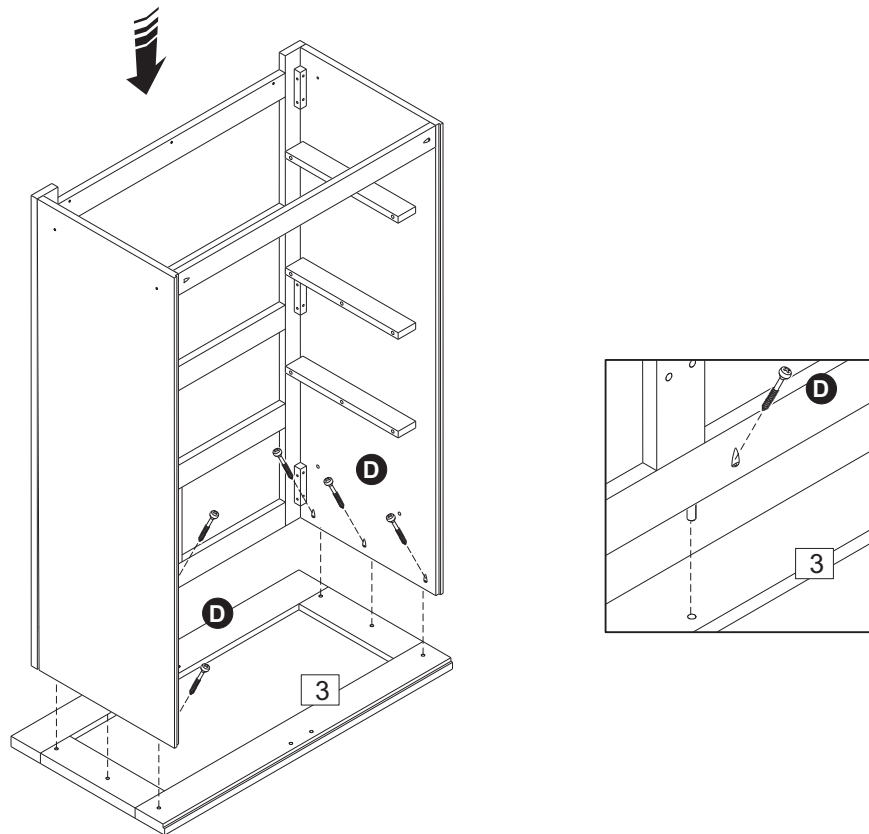


**c:**

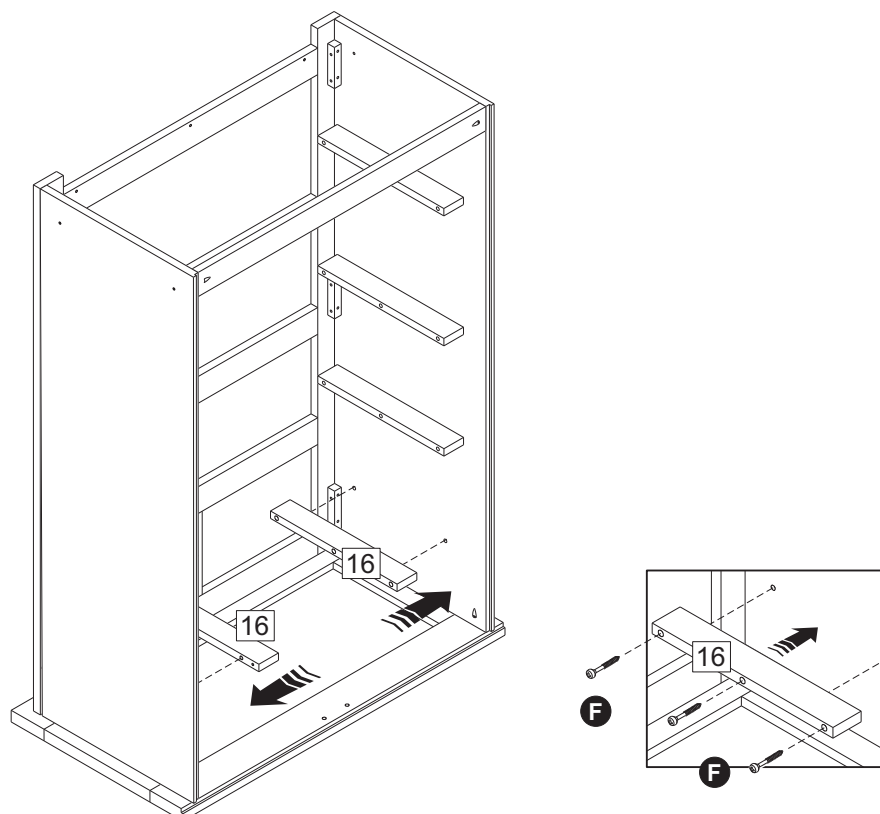


**STEP 7:**

Vendor: S000238



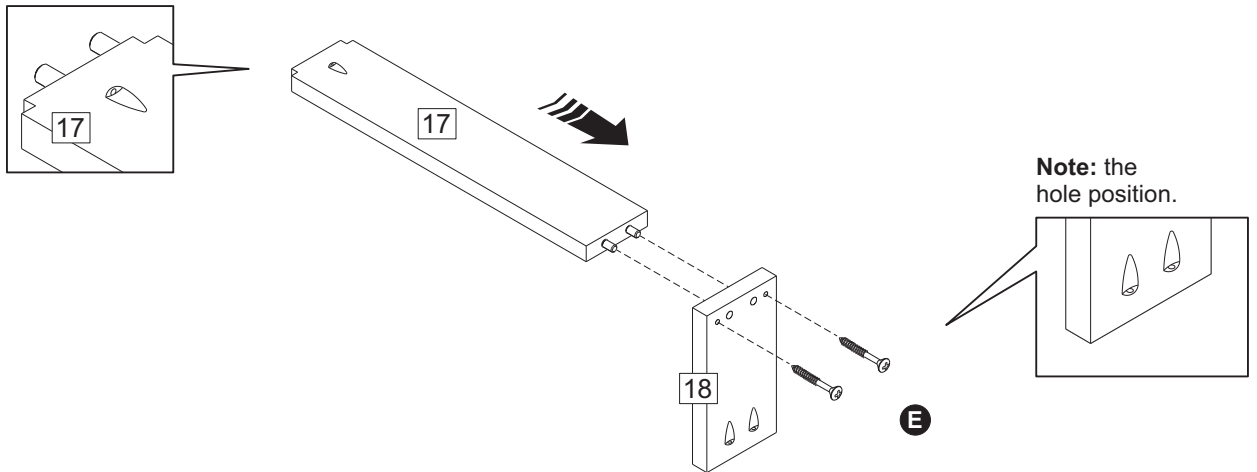
**STEP 8:**



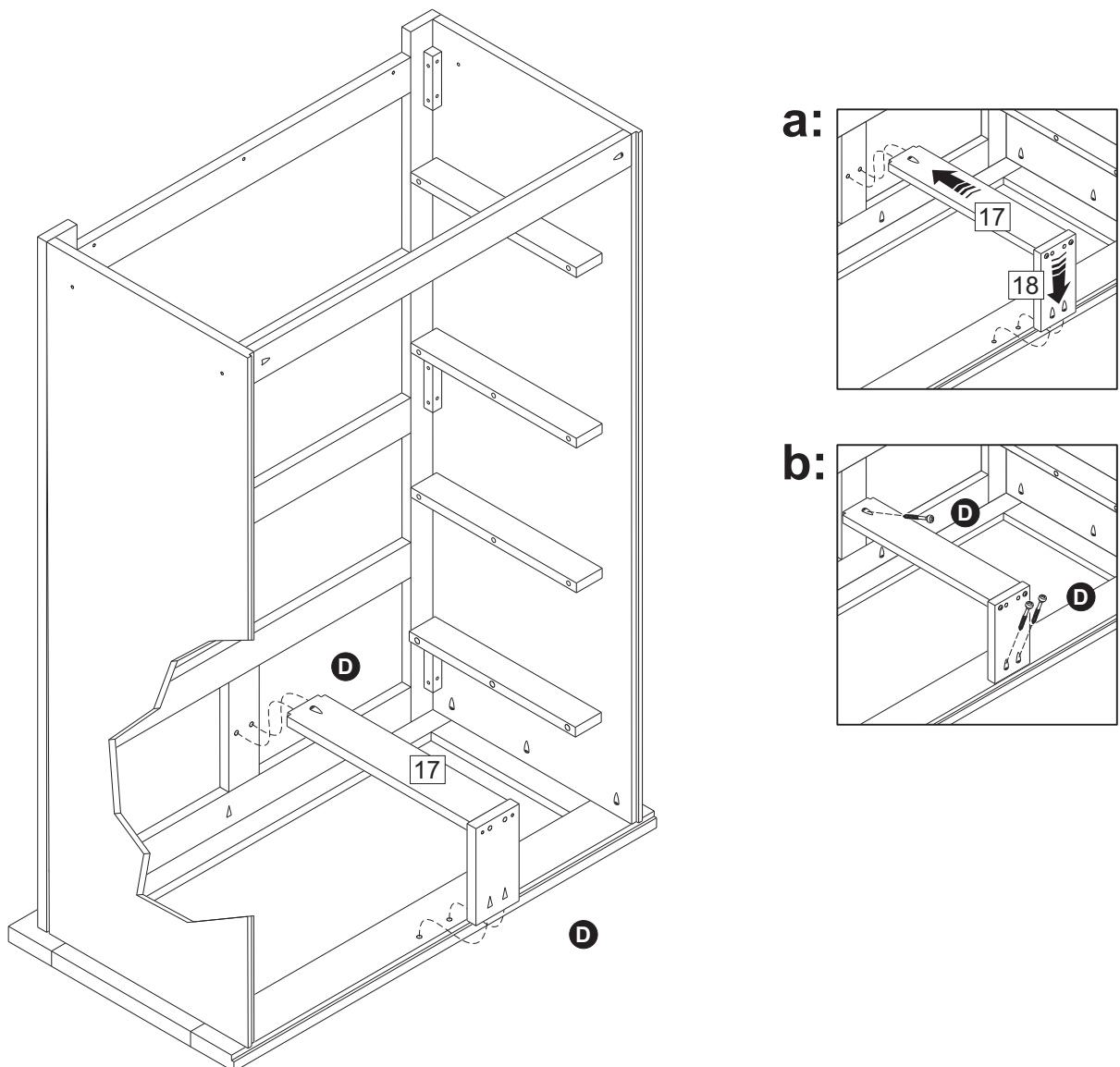
**STEP 9:**

Vendor: S000238

**Attention!**



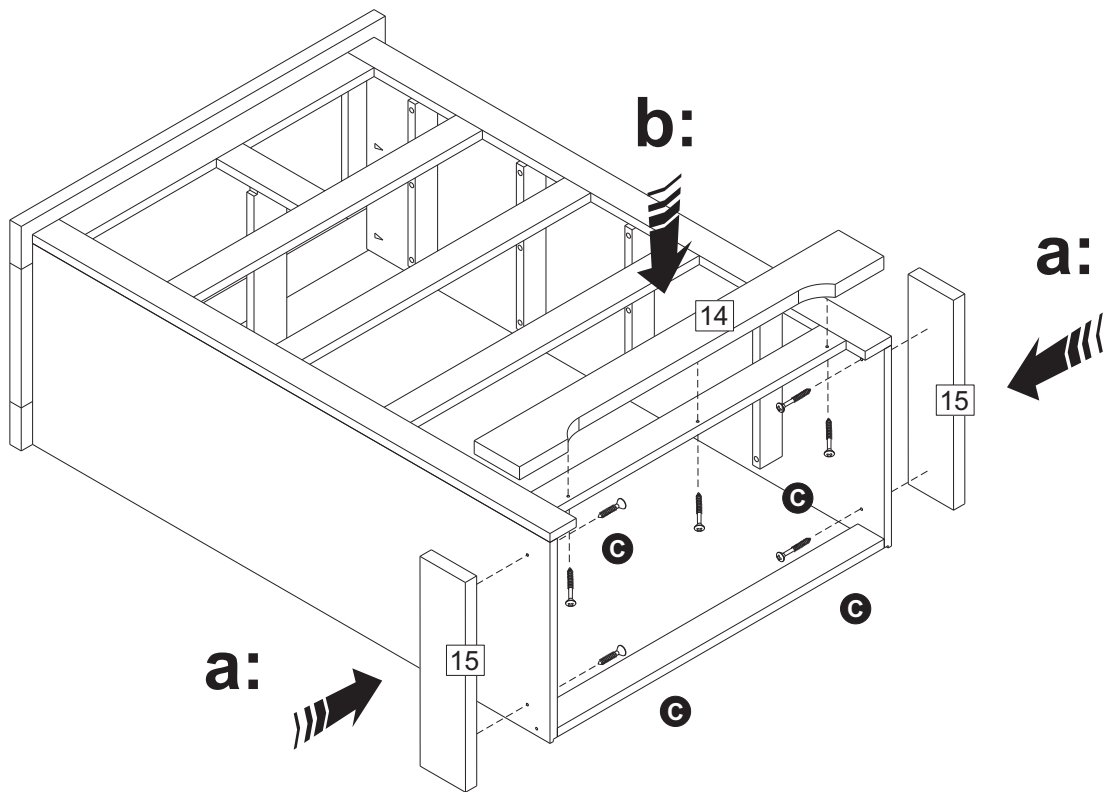
**STEP 10:**



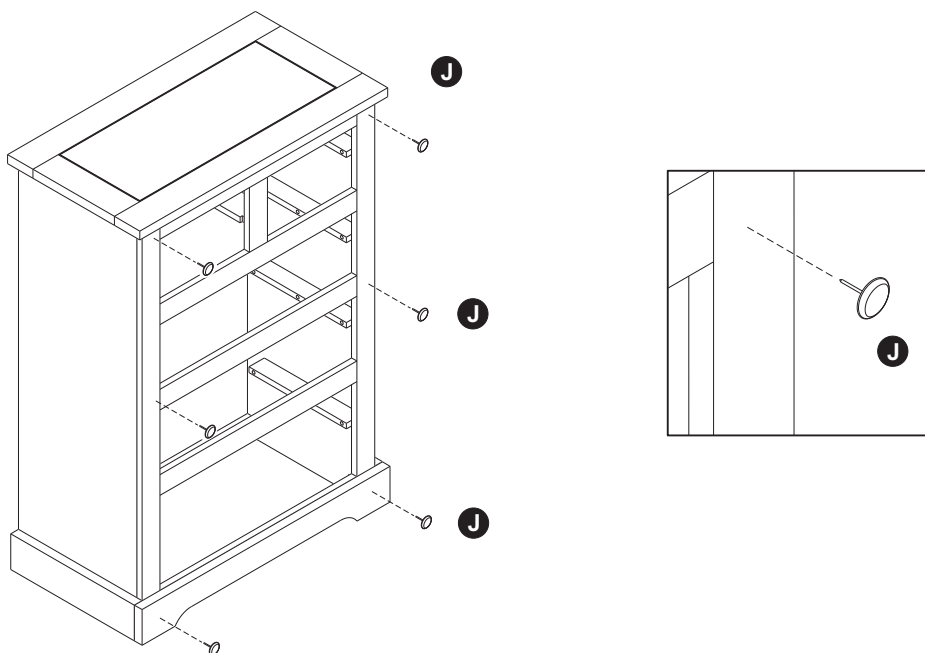


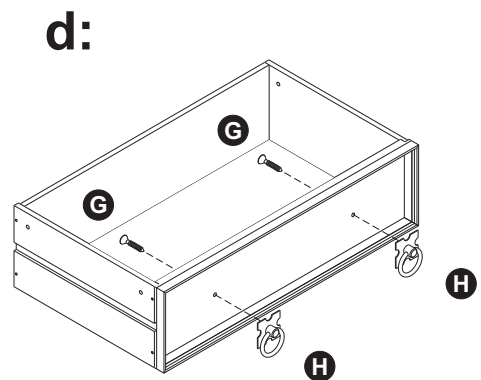
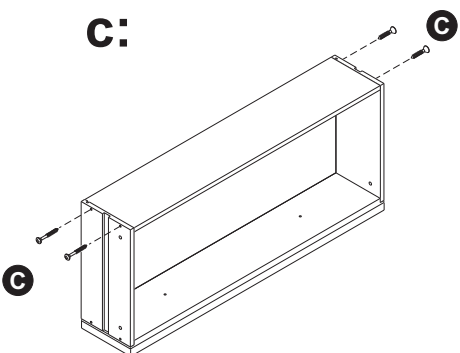
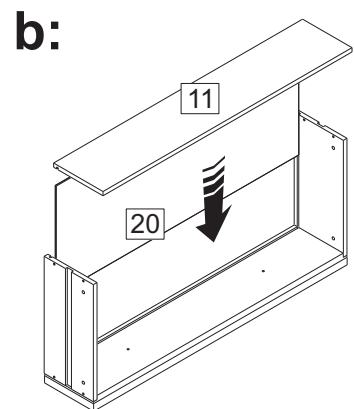
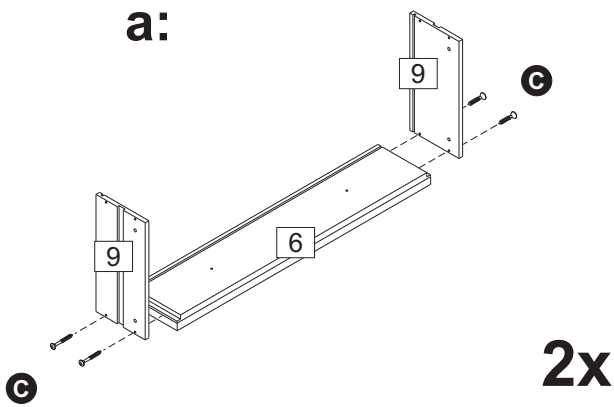
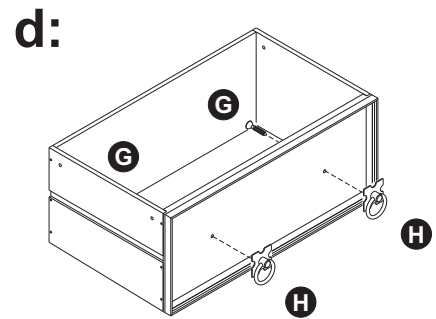
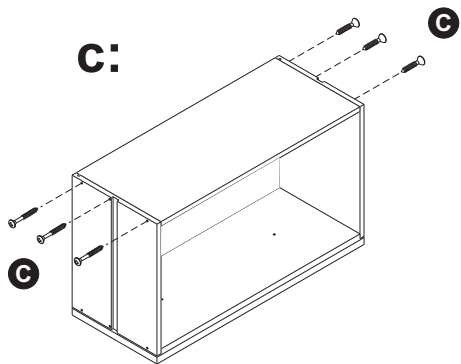
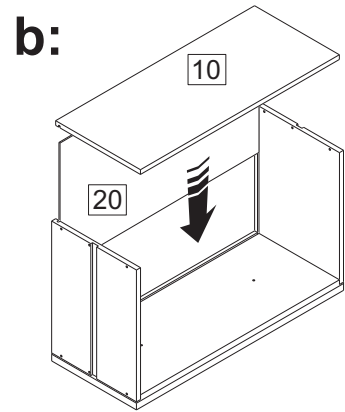
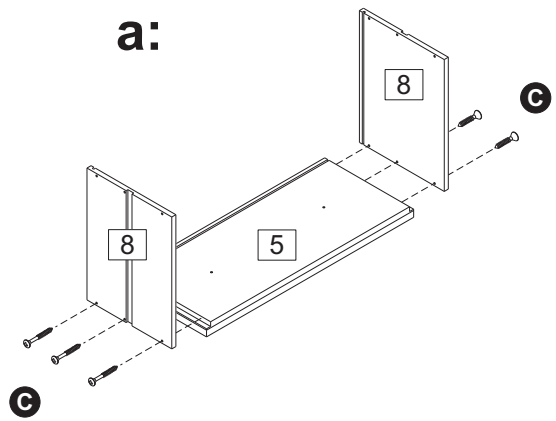
STEP 11:

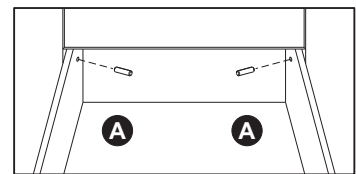
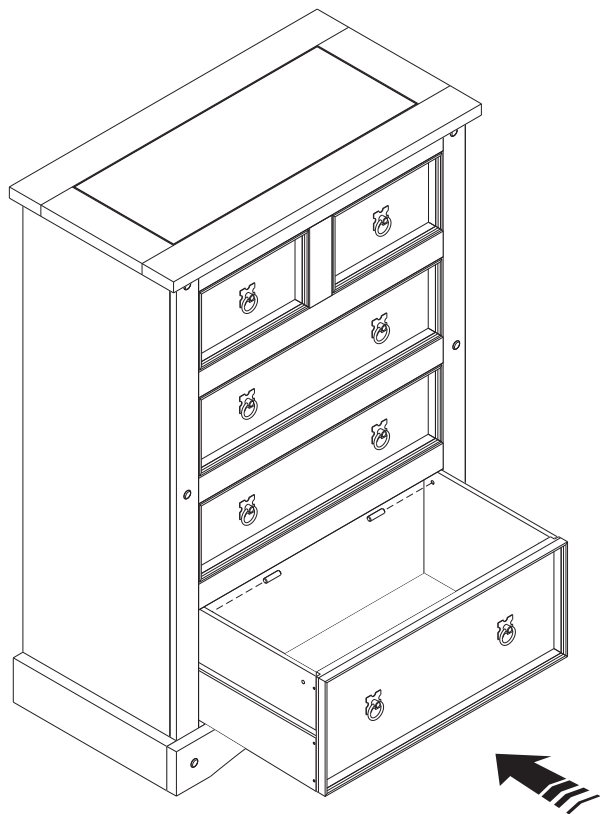
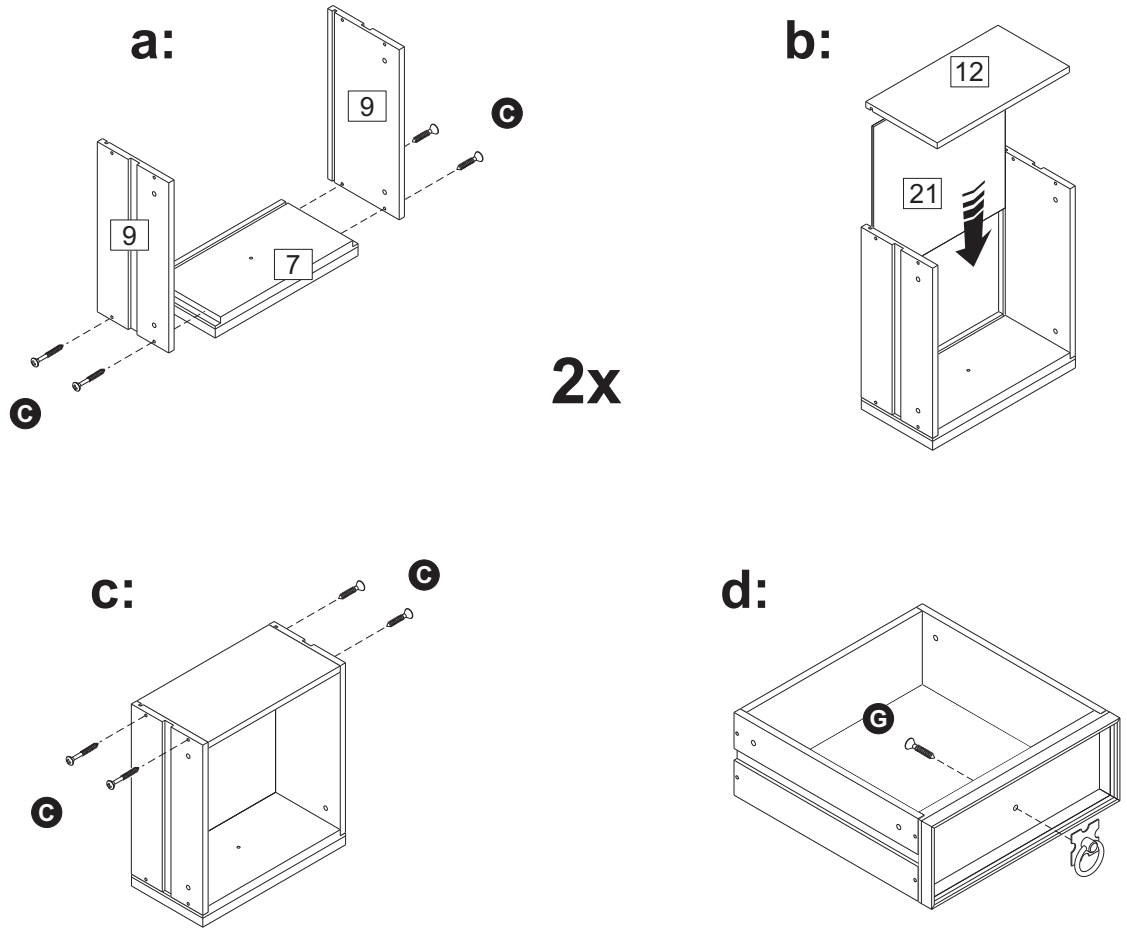
Vendor: S000238



STEP 12:

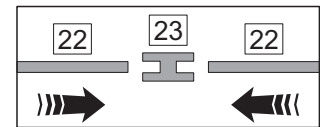
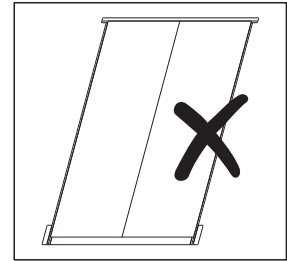
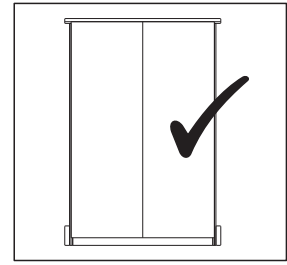
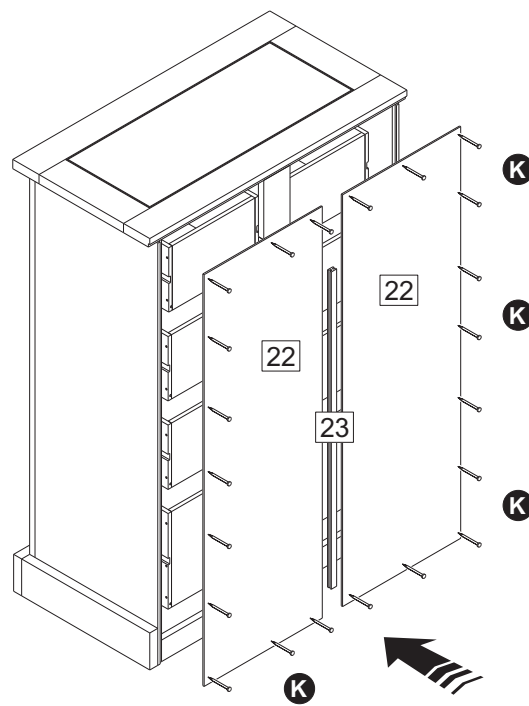






**Step 17:**

Vendor: S000238



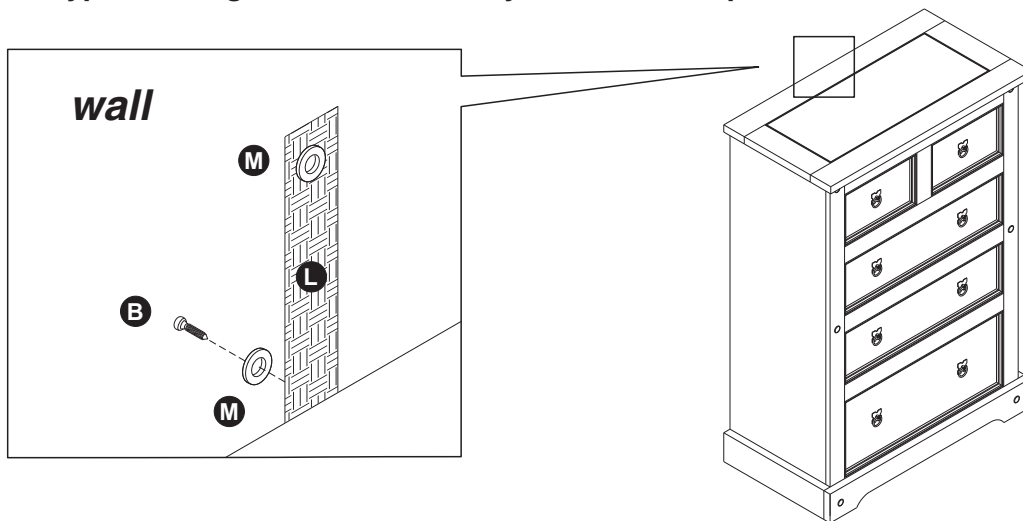
**Step 18:** Furniture must be fixed to a wall.

Fix wall strap M to top of furniture using washer N and screw B .

With help, move furniture into position.

**Wall plug and screw are not supplied to attach the wall strap to the wall.**

**The correct type of fixing must be used for your wall, seek professional advice if in doubt.**



**Additional Information:**

- For complete product information, images and dimension diagrams please visit the website [www.birlea.com](http://www.birlea.com)
- If you have any issues with your item please contact the retailer directly you purchased it from who will be able to resolve any issues with Birlea.
- Why don't you send us photos of your assembled furniture to [info@birlea.com](mailto:info@birlea.com) to be shared in our #birleahome feature on Instagram.