



Birlea

Suppliers of inspiration

Vendor: S000139



ASSEMBLY INSTRUCTIONS SHARD TV UNIT

IMPORTANT: READ THESE INSTRUCTIONS CAREFULLY BEFORE ASSEMBLING OR USING YOUR SHARD TV UNIT.

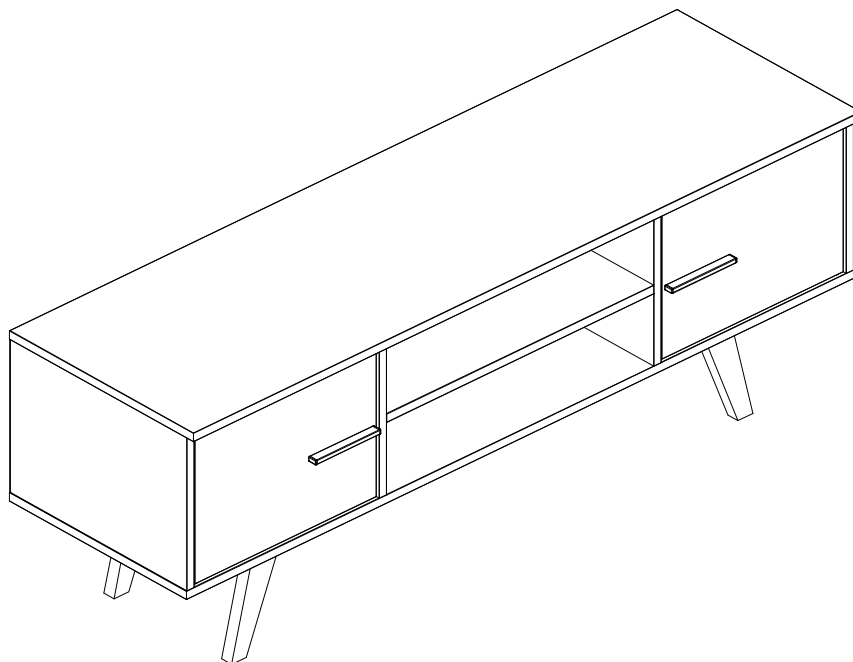
PLEASE KEEP THESE INSTRUCTIONS FOR FUTURE REFERENCE.

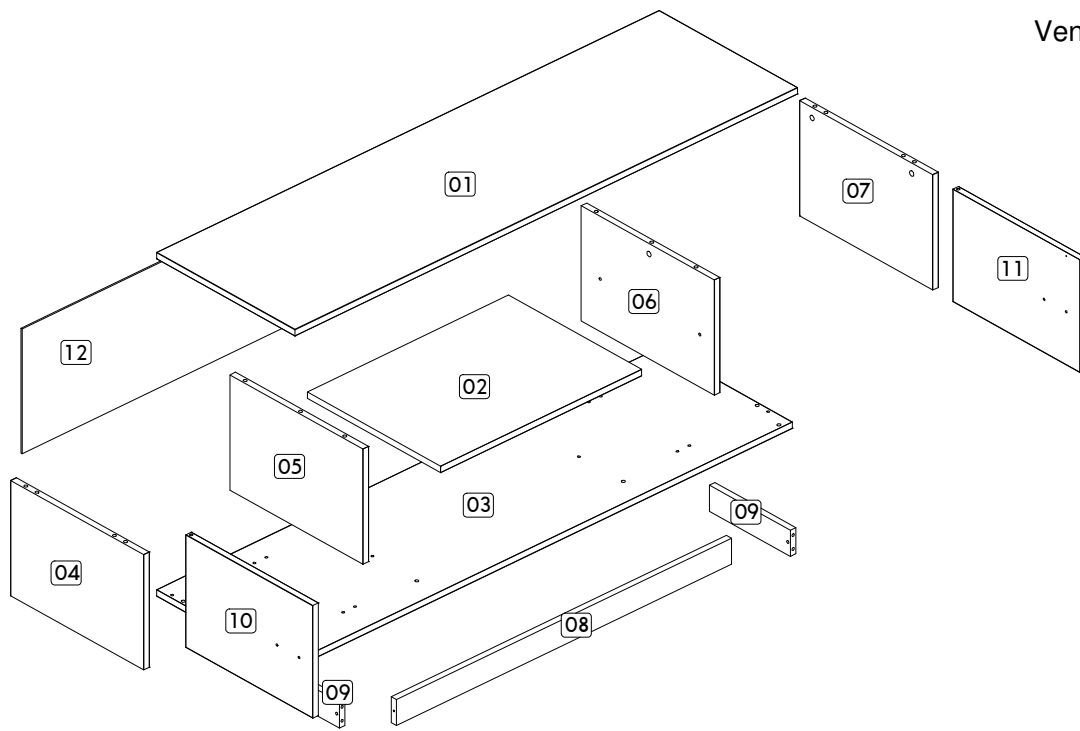
HEALTH & SAFETY:

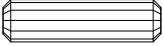

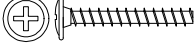
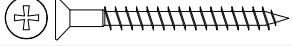
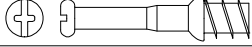

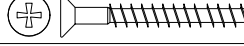

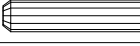
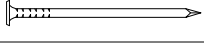







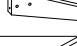


DO NOT use this item if any parts are missing, damaged or worn.
DO NOT use this item unless all fixings are secured.
Please keep small parts out of reach of children
Always use on a level, even surface.

CARE & MAINTENANCE:

Assemble in the room of use
Assembly should be carried out with this item laying flat, not standing upright.
Assemble on a soft, clean surface to prevent damages.
To remove the printed numbers on the pieces, use the eraser provided
Periodically check all screws & fixings to ensure they are secure.
DO NOT push the item as this will damage the base.
Always lift the item with two people to reposition.
Keep any sharp objects away from the item.

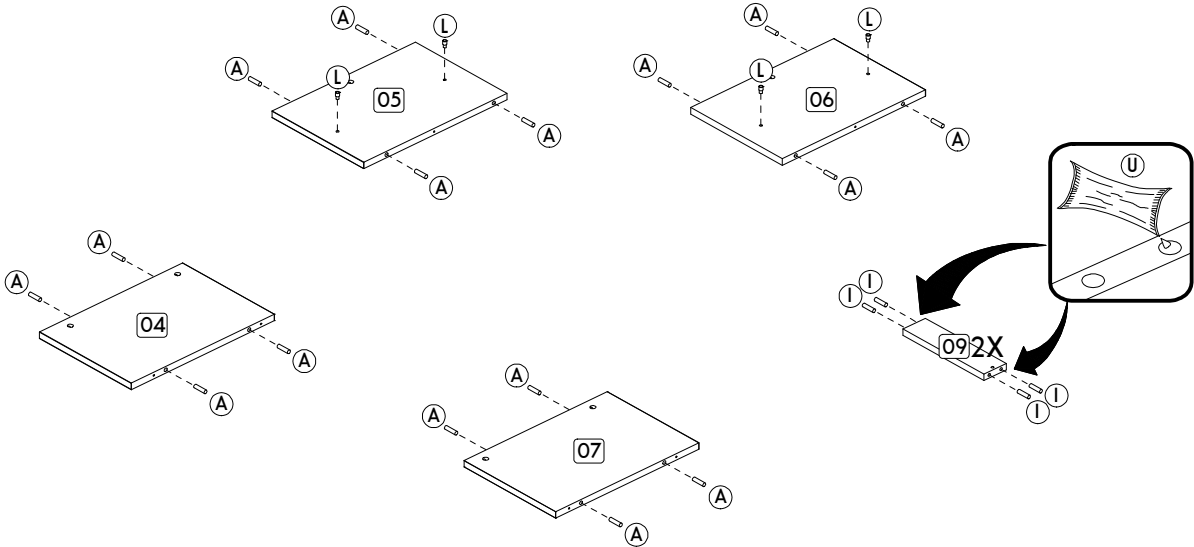




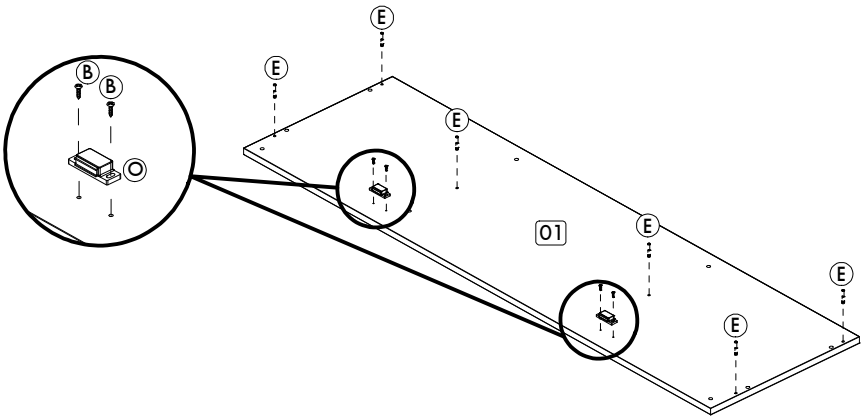
| Parts List | | | | Hardware List | | |
|------------|-----------------|-----|-----|---------------|---|-----|
| Part | Description | Box | Qty | Part | Description | Qty |
| 1 | Top Base | 1 | 1 | A | 8 x 30 mm Wooden Dowel  | 16 |
| 2 | Shelf | 1 | 1 | B | 3,5 x 14 mm Screw  | 6 |
| 3 | Bottom Base | 1 | 1 | C | 3,5 x 25 mm Screw  | 4 |
| 4 | Left Side | 1 | 1 | D | 4,5 x 45 mm Screw  | 8 |
| 5 | Left Division | 1 | 1 | E | Simple Minifix Screw  | 6 |
| 6 | Right Division | 1 | 1 | F | Cam Lock  | 6 |
| 7 | Right Side | 1 | 1 | G | 4,5 x 40 mm Screw  | 8 |
| 8 | Front foot tray | 1 | 1 | H | 3,0 x 14 mm Screw  | 2 |
| 9 | Side foot tray | 1 | 2 | I | 6 x 30 mm Wooden Dowel  | 8 |
| 10 | Left Door | 1 | 1 | J | 10 x 10 mm Tack  | 26 |
| 11 | Right Door | 1 | 1 | K | Bore patch adhesive  | 6 |
| 12 | Backboard | 1 | 1 | L | Shelf Bracket  | 4 |
| | | | | M | 22 x 22mm metal bracket  | 1 |
| | | | | N | Handle  | 2 |
| | | | | O | Magnetic clasp  | 2 |
| | | | | P | Metallic plate  | 2 |
| | | | | R | Hinge pin  | 4 |
| | | | | S | Foot 1  | 2 |
| | | | | T | Foot 2  | 2 |
| | | | | U | Glue  | 1 |

**** You will need a small mallet and a screwdriver for assembly.**

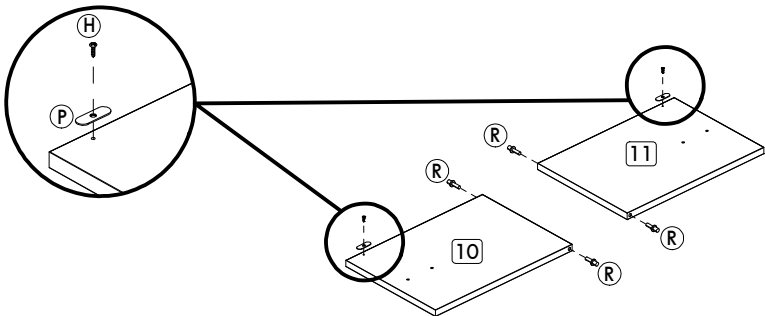
Step 1: Insert hardware parts A and L using small mallet (not provided), then insert the hardware part I to the side foot trai using hardware U and a small mallet (not provided).
DO NOT use any power tools as this may damage the frame and will invalidate any claim.



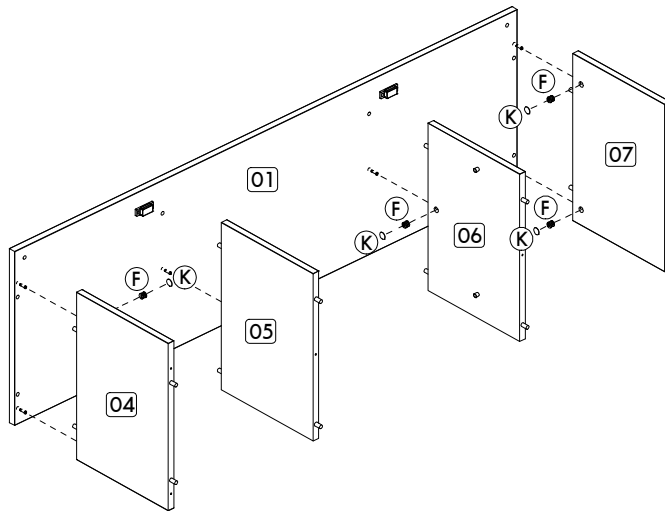
Step 2: Attach hardware part E to the top base (1) using a screwdriver (not provided), then attach hardware part O using the hardware part B and a screwdriver (not provided).
DO NOT use any power tools as this may damage the frame and will invalidate any claim.



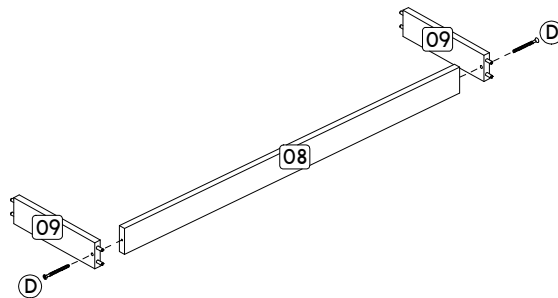
Step 3: Attach hardware part P using hardware part H and screwdriver (not provided). Insert hardware part R using a small malet (not provided).
DO NOT use any power tools as this may damage the frame and will invalidate any claim.



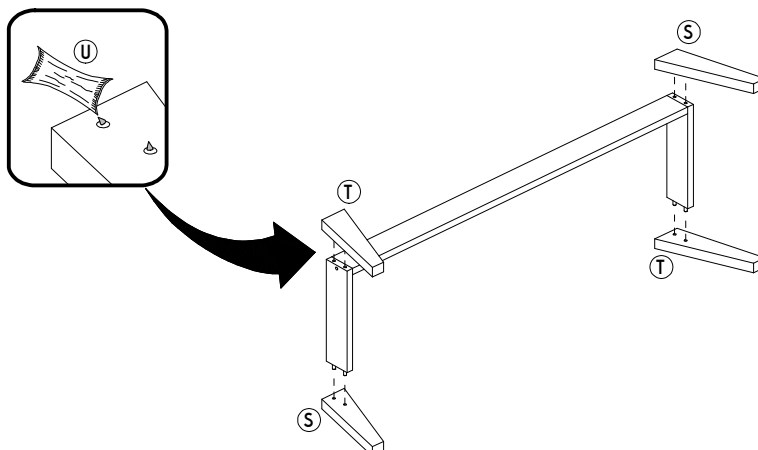
Step 4: Attach the left side (4), left division (5), right division (6) and right side (7) to the top base (1) using the hardware part F and a screwdriver (not provided)
DO NOT use any power tools as this may damage the frame and will invalidate any claim.



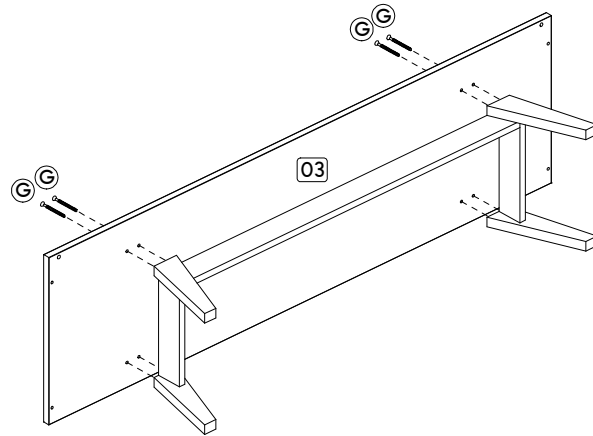
Step 5: Attach the side foot frames (9) to the front foot frame (8) using hardware part D and a screwdriver (not provided).
DO NOT use any power tools as this may damage the frame and will invalidate any claim.



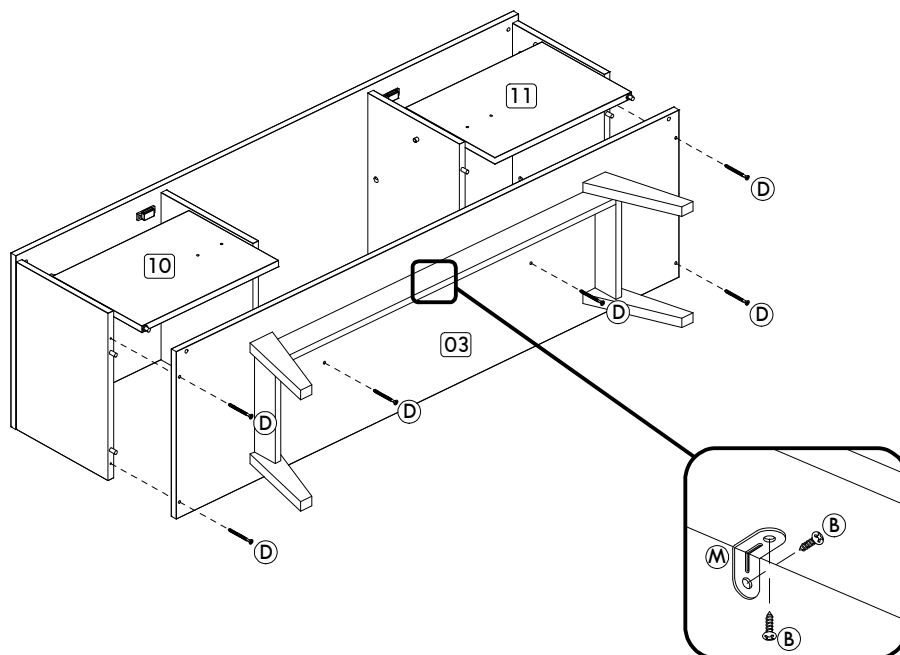
Step 6: Connect the hardware part S and T to the side foot frames (9) using hardware part U to fix.
DO NOT use any power tools as this may damage the frame and will invalidate any claim.



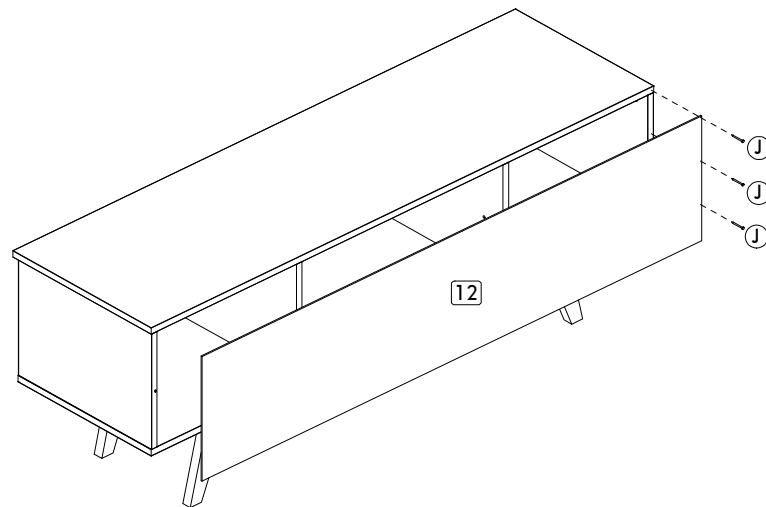
Step 7: Attach the bottom base (3) to the hardware V using hardware part G and a screwdriver (not provided). **DO NOT use any power tools as this may damage the frame and will invalidate any claim.**



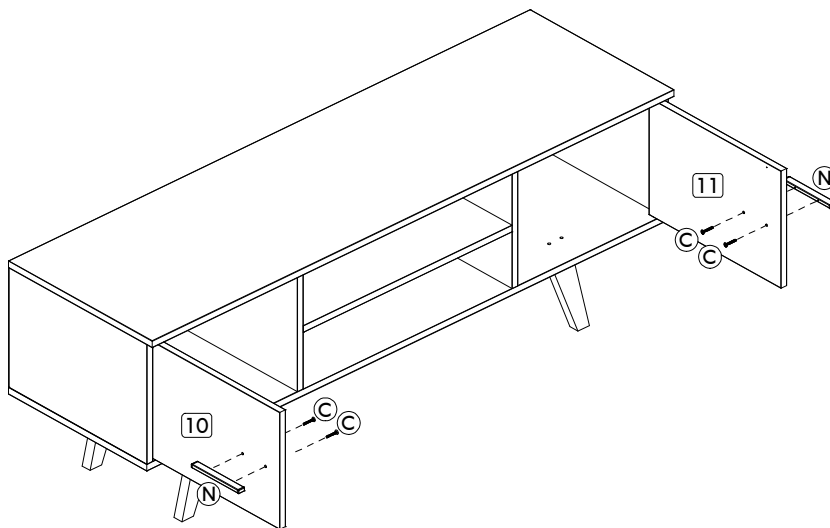
Step 8: Connect the left door (10) and the right door (11) then attach the bottom base (3) using a hardware part D and a screwdriver (not provided). Then attach the hardware part M to the bottom base (3) and the front foot tray (8) using the hardware part B and a screwdriver (not provided). **DO NOT use any power tools as this may damage the frame and will invalidate any claim.**



Step 9: Attach the backboard (12) using the hardware part J and a small mallet (not provided).
DO NOT use any power tools as this may damage the frame and will invalidate any claim.



Step 10: Attach the hardware N to the left door (10) and right door (11) using the hardware part C and a screwdriver (not provided).
DO NOT use any power tools as this may damage the frame and will invalidate any claim.



Additional Information:

- For complete product information, images and dimension diagrams please visit the website www.birlea.com
- If you have any issues with your item please contact the retailer directly you purchased it from who will be able to resolve any issues with Birlea.
- Why don't you send us photos of your assembled furniture to info@birlea.com to be shared in our #birleahome feature on Instagram.



Birlea

Suppliers of inspiration