



Birlea

Suppliers of inspiration

Assembly Instructions

Thank you for purchasing a Birlea product.

For a chance to win a Love 2 Shop voucher simply post a picture of your new product on your preferred social channels tagging Birlea Furniture and using the hashtag #ShareYourStyle and #Birlea. One winner will be selected at random each month.

To view our full terms and conditions please visit our website. www.birlea.com

Are you happy with your purchase?

Yes: That's great, we would love to hear more from you. Please leave us a review on our social media channels or Trustpilot. Your feedback will be greatly appreciated.

No: If for any reason there is something missing, indifferent or incorrect with your order, please contact the retailer you purchased the item from. We will work with the retailer to resolve your issue as quickly as possible.



www.birlea.com



Birlea

Suppliers of inspiration

Assembly Video

For a step by step guide on how to build our Covent TV Unit visit our YouTube channel 'BirleaFurnitureLtd' or alternatively scan the below code on your smart phone.



How to scan a QR code from an apple device

Step One: Open up the camera app

Step Two: Hold the device's camera up to the QR code

Step Three: Your Apple device will automatically recognise the QR code and provide you with a link to the video

How to scan a QR code from an andriod device

Step One: Dowloand the QR Code reader application from the Play Store.

Step Two: Open the QR code application and open the camera.

Step Three: Your Andriod device will automatically recognise the QR code and provide you with a link to the video

How to scan a QR code from a Window's device

Step One: Open up the camera app

Step Two: Hold the device's camera up to the QR code

Step Three: Your Window device will automatically recognise the QR code and provide you with a link to the video



Birlea

Suppliers of inspiration

Vendor: S000139



ASSEMBLY INSTRUCTIONS COVENT TV UNIT

IMPORTANT: READ THESE INSTRUCTIONS CAREFULLY BEFORE ASSEMBLING OR USING YOUR COVENT TV UNIT

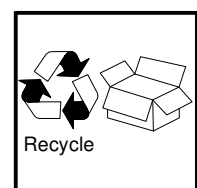
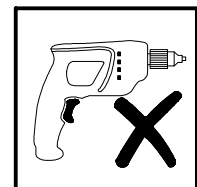
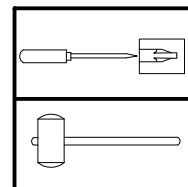
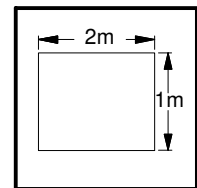
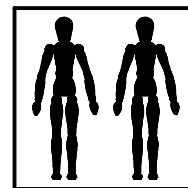
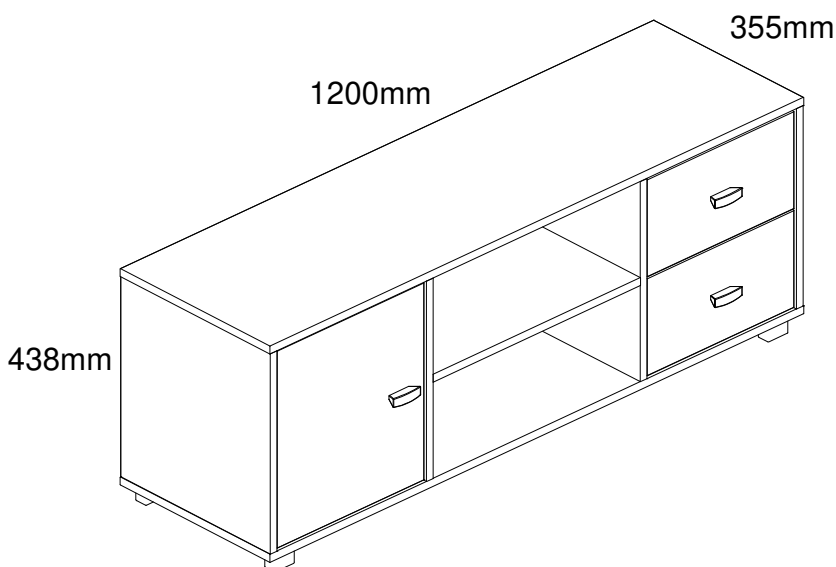
PLEASE KEEP THESE INSTRUCTIONS FOR FUTURE REFERENCE.

HEALTH & SAFETY:

DO NOT use this item if any parts are missing, damaged or worn.
DO NOT use this item unless all fixings are secured.
Please keep small parts out of reach of children
Always use on a level, even surface.

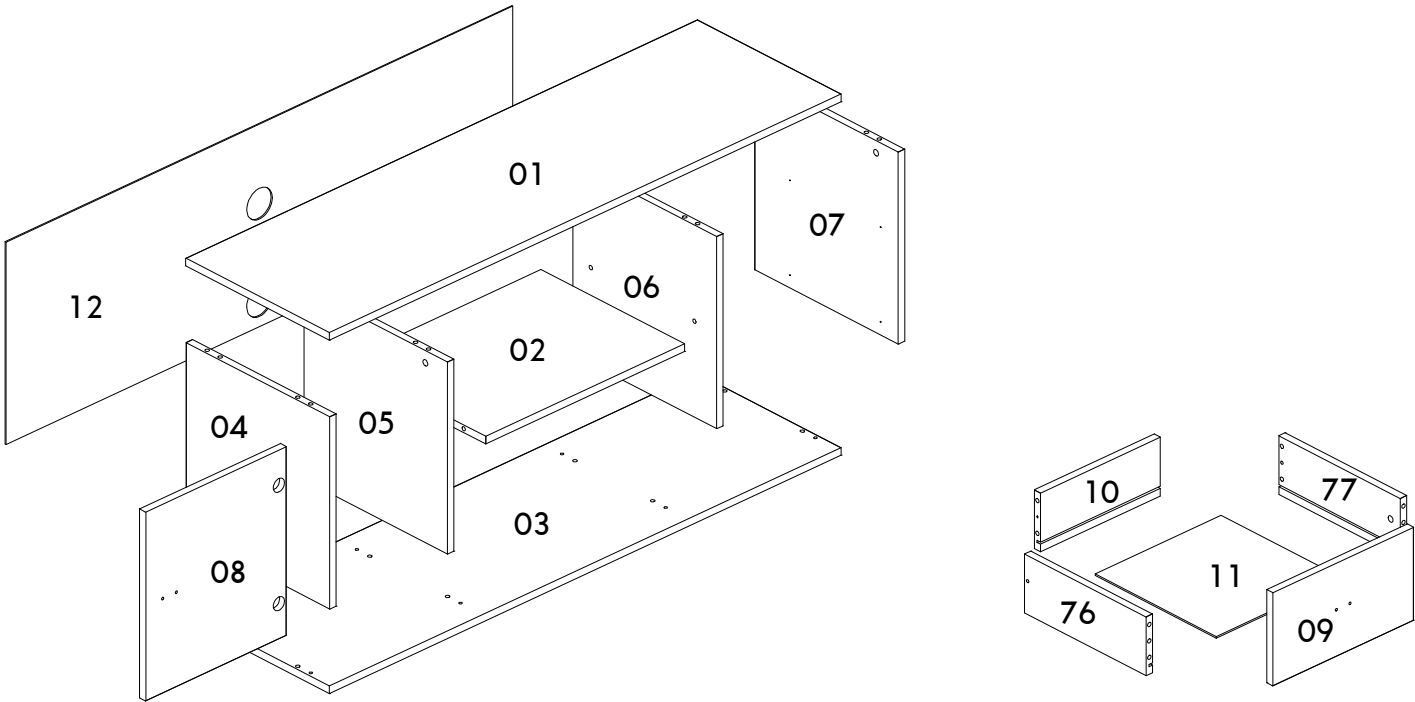
CARE & MAINTENANCE:

Assemble in the room of use
Assembly should be carried out with this item laying flat, not standing upright.
Assemble on a soft, clean surface to prevent damages.
To remove the printed numbers on the pieces, use the eraser provided
Periodically check all screws & fixings to ensure they are secure.
DO NOT push the item as this will damage the base.
Always lift the item with two people to reposition.
Keep any sharp objects away from the item.



www.birlea.com

Page 1 of 11



Parts List			
Part	Description	Box	Qty
1	Upper Base	1	1
2	Shelf	1	1
3	Bottom Base	1	1
4	Left Side	1	1
5	Left Division	1	1
6	Right Division	1	1
7	Right Side	1	1
8	Door	1	1
9	Drawer Front	1	2
10	Rear of Drawer	1	2
11	Bottom of Drawer	1	2
12	Back	1	1
76	Left Side Of Drawer	1	2
77	Right Side Of Drawer	1	2

Hardware List		
Part	Description	Qty
A1	Glue	1
B8	Door limiter	1
C14	Foot	5
D5	Hinge shim	2
D6	Metal hinge super high	2
E	8 x 30 mm Wooden Dowel	36
i9	Handle	3
J	Simple Minifix Screw	12
L	Cam Lock	12
M	Bore patch adhesive	8
M1	3,5 x 25 mm Screw	10
N	10 x 10 mm Tack	32
O	4,5 x 45 mm Screw	12
P5	3,5 x 14 mm Screw	16
S	3,5 x 14 mm Screw	9
T	3,5 x 25 mm Screw	6
XA	Metallic slide the left field	2
XB	Metallic slide the right field	2
XC	Drawer slide left	2
XD	Drawer slide right	2

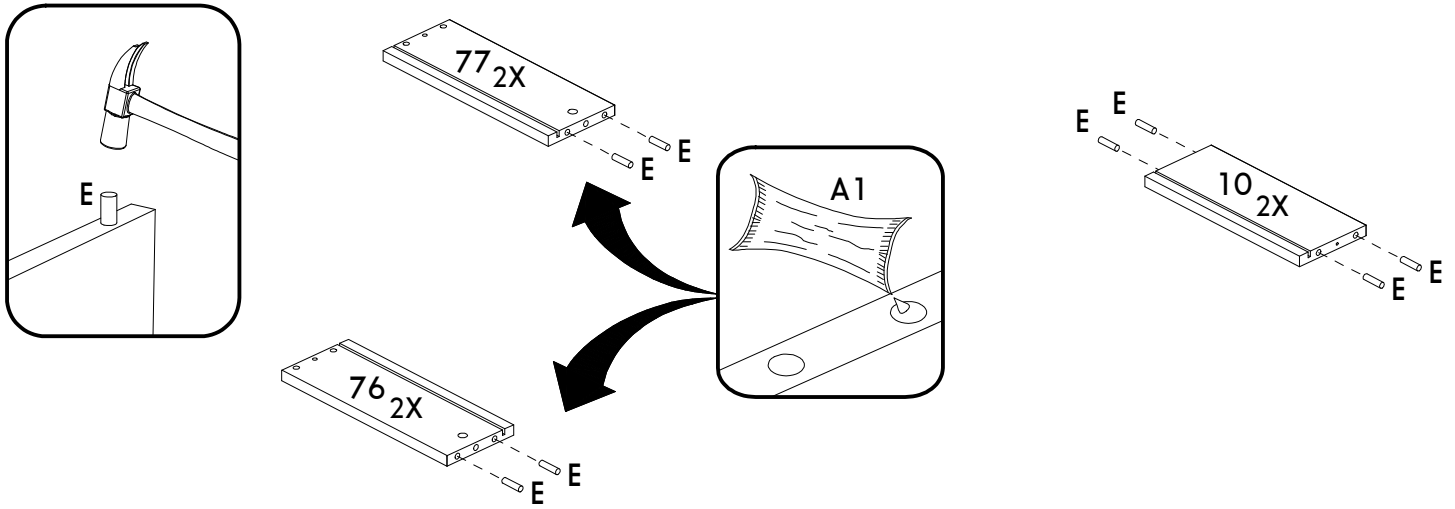
**** You will need a small mallet and a screwdriver for assembly.**

**** Some screws and wooden dowel may remain.**



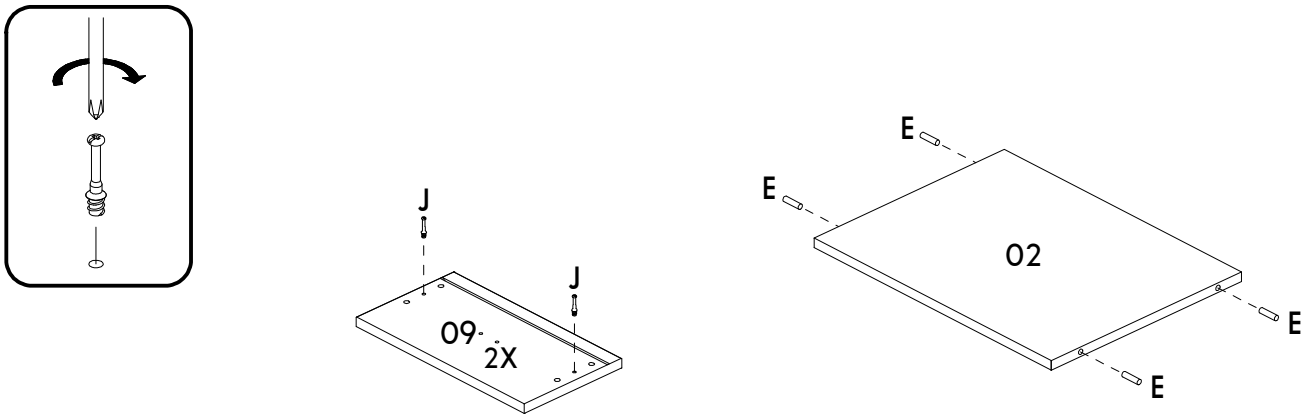
Step 1: Attach hardware part E to the left, right and rear of drawer (10), (76) and (77) using hardware part A1 and a small mallet (not provided).

DO NOT use any power tools as this may damage the frame and will invalidate any claim.



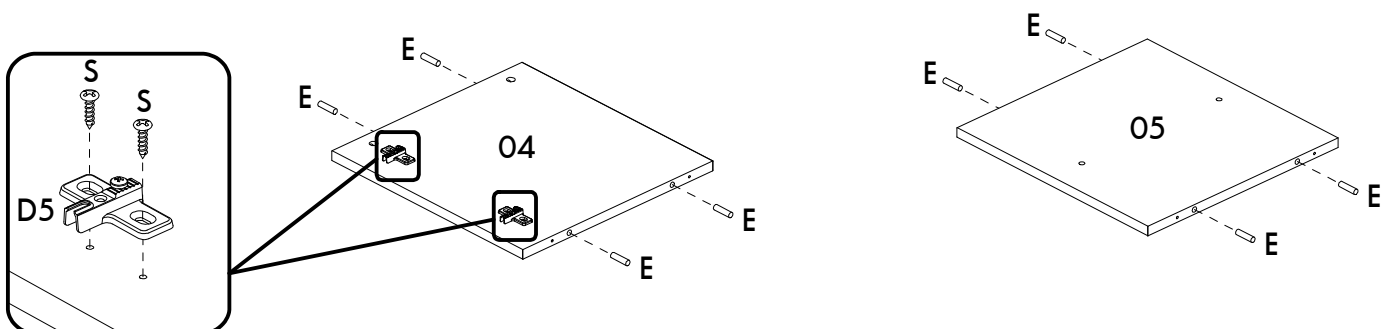
Step 2: Attach the hardware part J to the drawer front (09) using the a screwdriver (not provided). Then attach the hardware part E to the shelf (02) using a small mallet (not provided).

DO NOT use any power tools as this may damage the frame and will invalidate any claim.

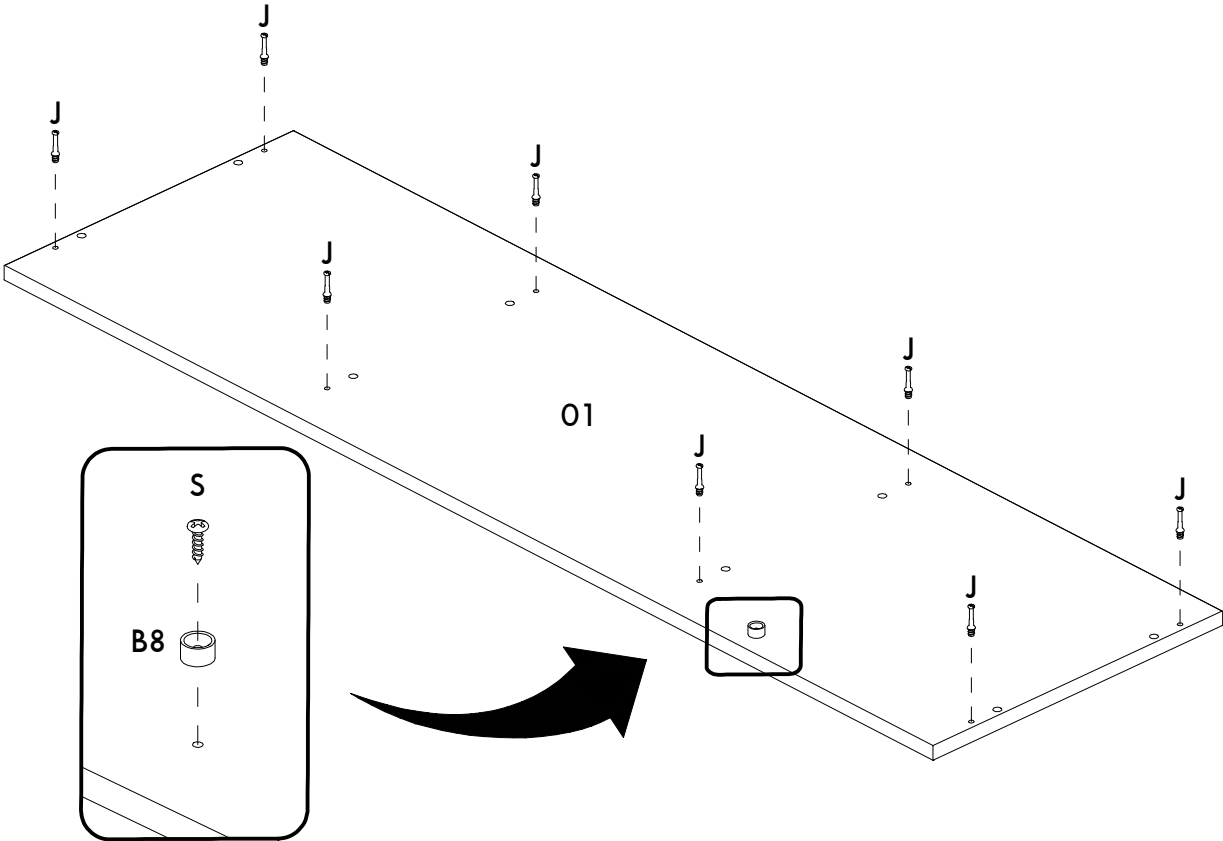


Step 3: Attach hardware part E to the left side (04) and left division (05) using a small mallet (not provided). Attach hardware part D5 to the left side (04) using hardware part S and screwdriver (not provided).

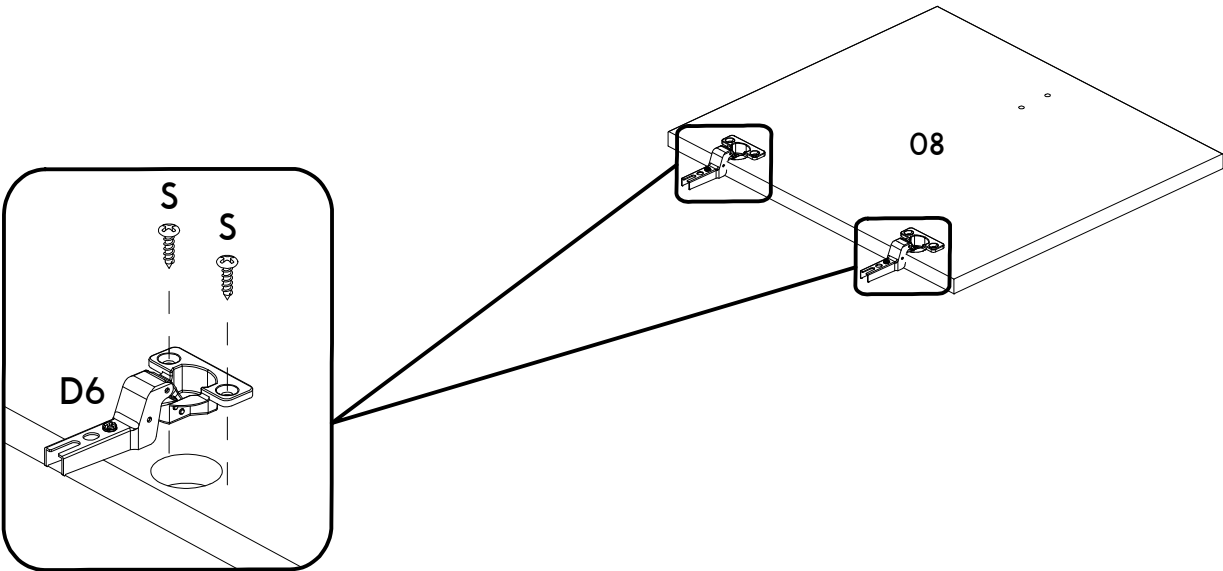
DO NOT use any power tools as this may damage the frame and will invalidate any claim.



Step 4: Attach hardware part J to the upper base (01) using a screwdriver (not provided). Then attach the hardware part B8 using the hardware part S and a screwdriver (not provided). **DO NOT use any power tools as this may damage the frame and will invalidate any claim.**

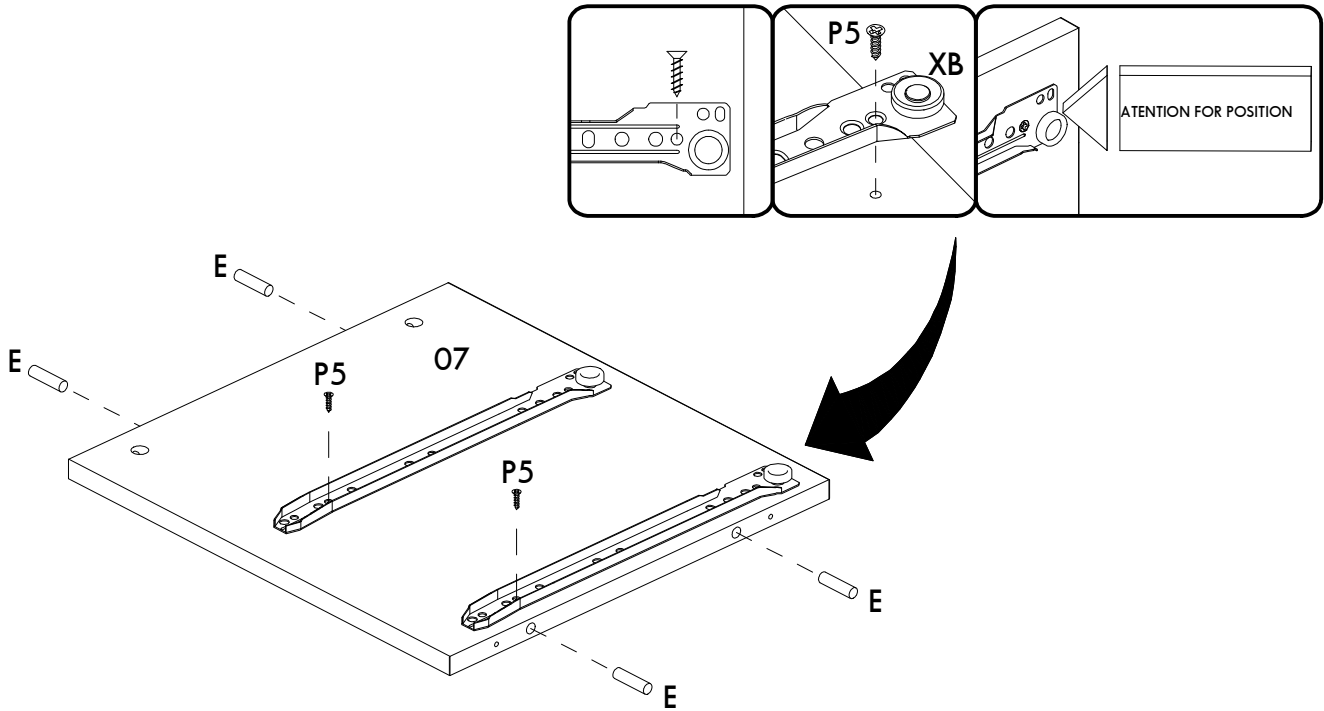


Step 5: Attach the hardware part D6 to the door (08) using the hardware part S and a screwdriver (not provided). **DO NOT use any power tools as this may damage the frame and will invalidate any claim.**



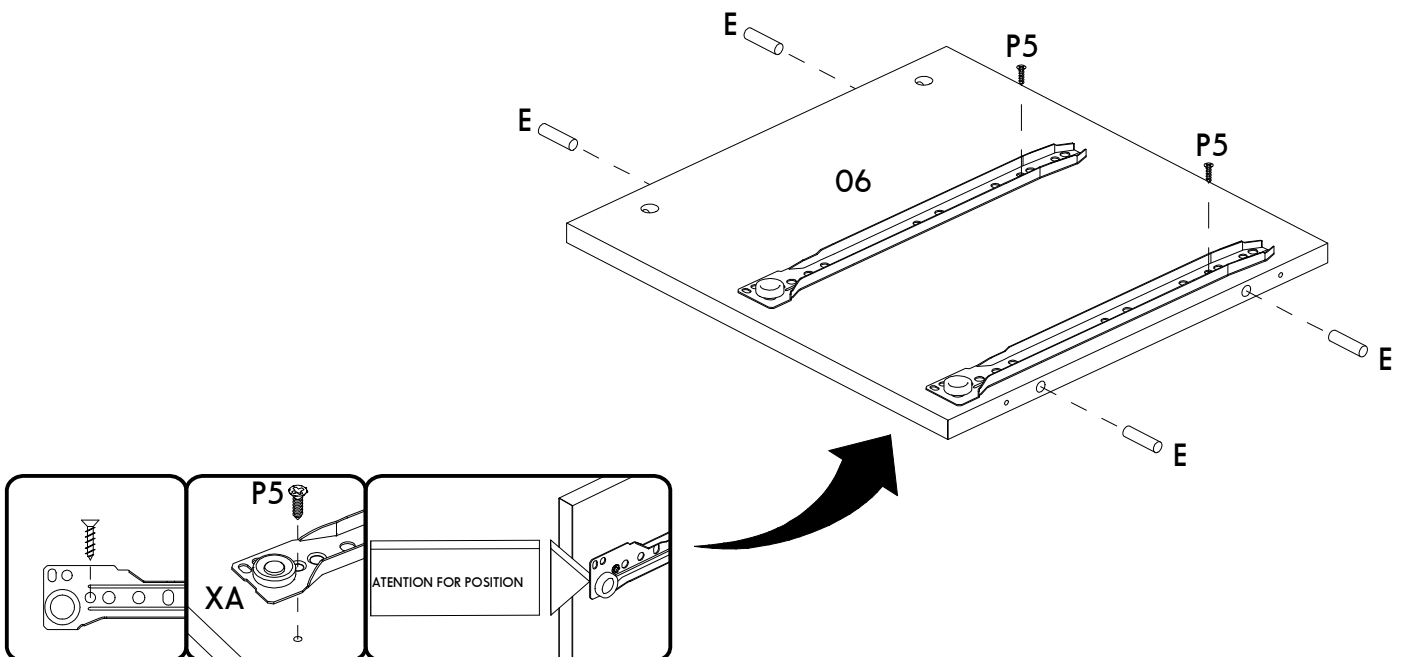
Step 6: Attach the hardware part E to the right side (07) using a small mallet. Then attach the hardware part XB using the hardware P5 and a screwdriver (not provided).

DO NOT use any power tools as this may damage the frame and will invalidate any claim.

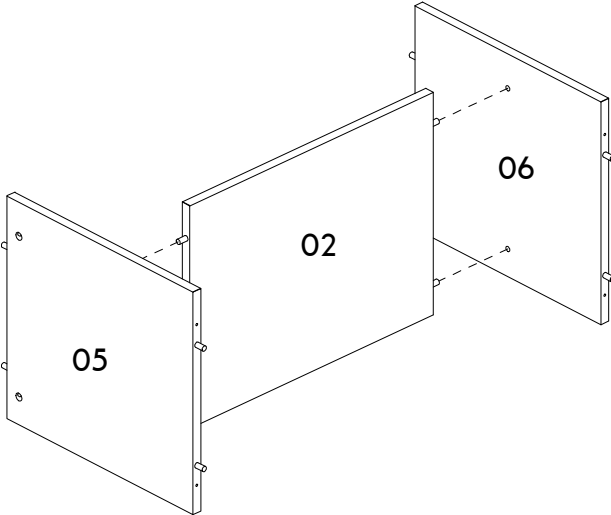


Step 7: Attach the hardware part E to the right division (06) using a small mallet. Then attach the hardware part XA using the hardware P5 and a screwdriver (not provided).

DO NOT use any power tools as this may damage the frame and will invalidate any claim.

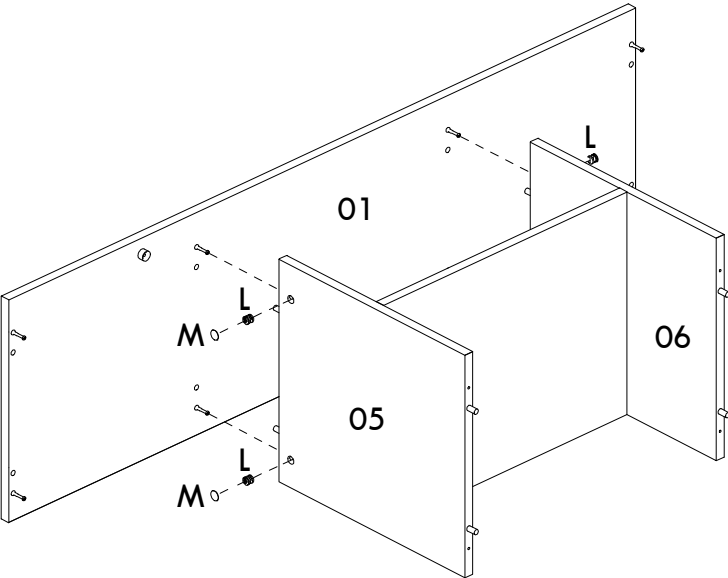
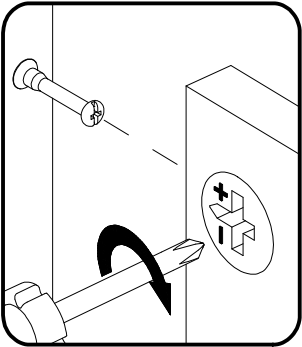


Step 8: Attach the left division (05) and the right division (06) to the shelf (02).
DO NOT use any power tools as this may damage the frame and will invalidate any claim.

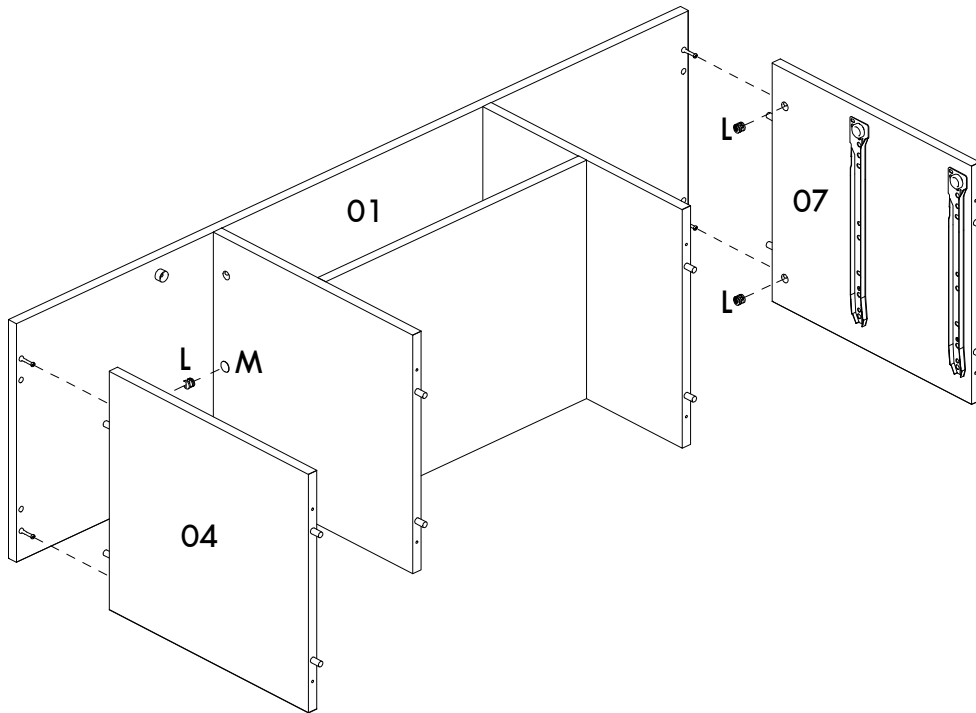


Step 9: Attach the left division (05) and the right division (06) to the upper base (01) using the hardware part L and a screwdriver (not provided). Insert hardware part M into left division (05).

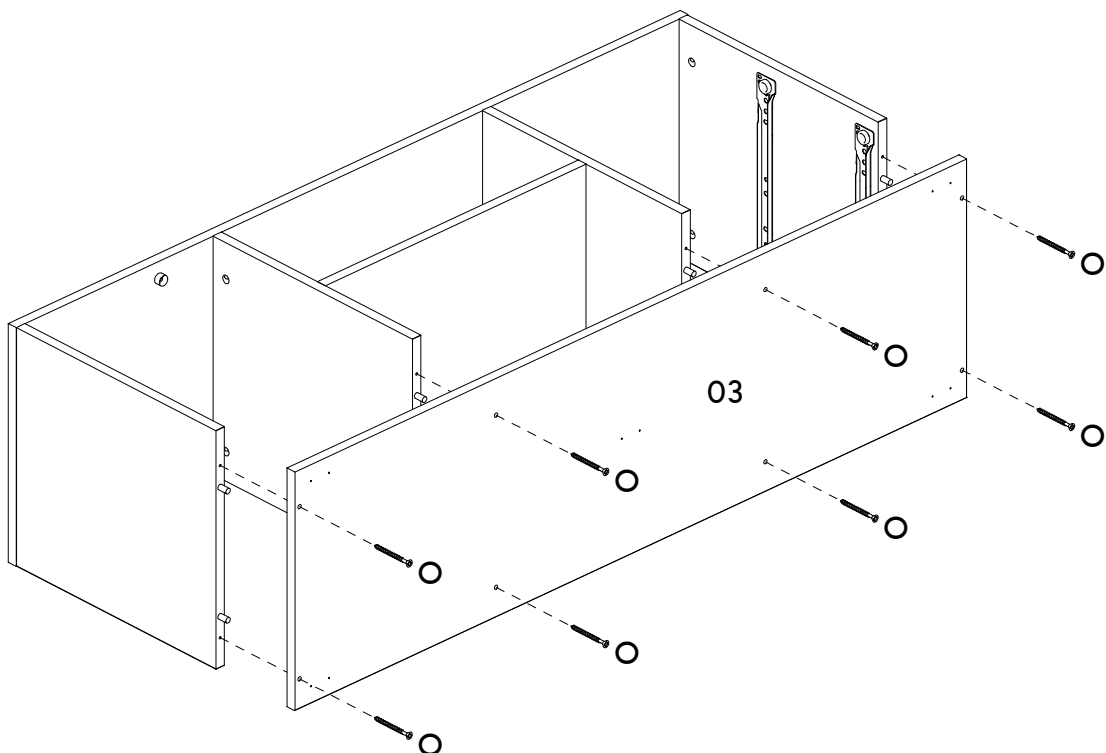
DO NOT use any power tools as this may damage the frame and will invalidate any claim.



Step 10: Attach the left side (04) and the right side (07) to the upper base (01) using the hardware part L and a screwdriver (not provided). Insert hardware part M into left side (04).
DO NOT use any power tools as this may damage the frame and will invalidate any claim.

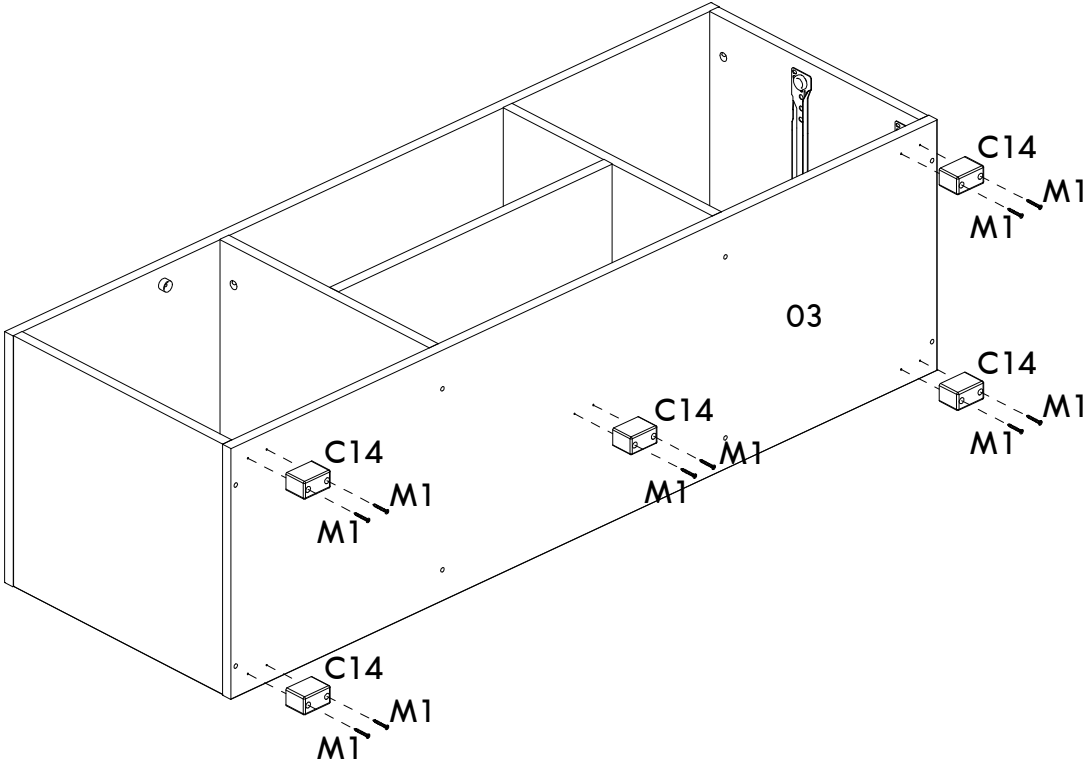


Step 11: Join the bottom base (03) to the assembled section using hardware part O and a screwdriver (not provided).
DO NOT use any power tools as this may damage the frame and will invalidate any claim.



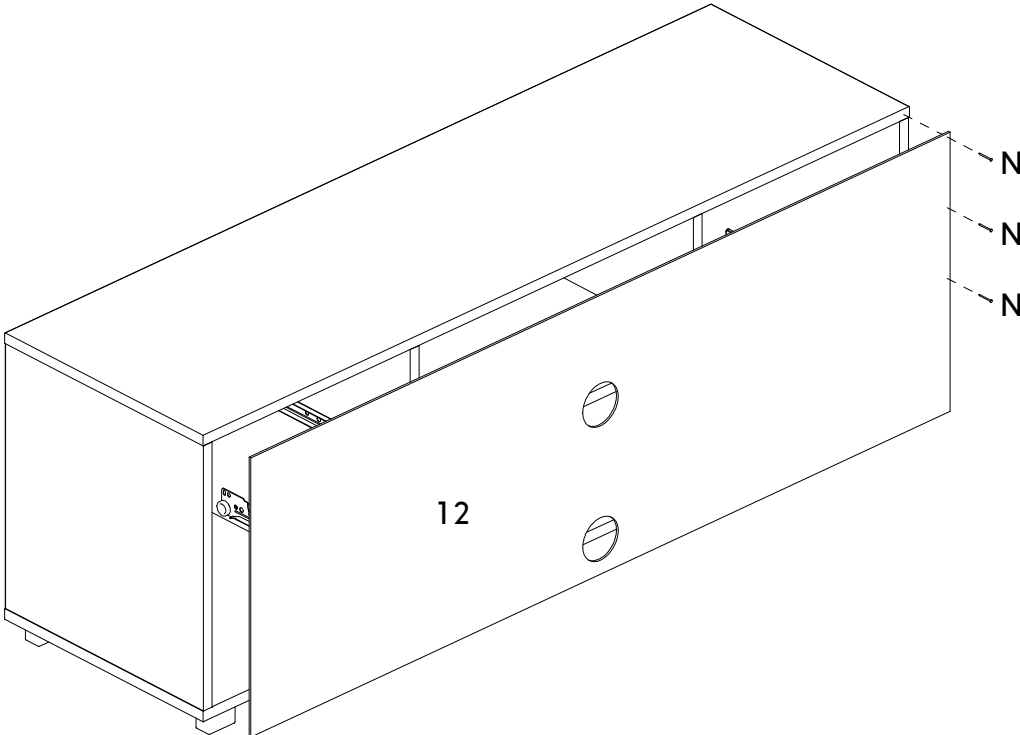
Step 12: Attach the hardware part C14 to the bottom base (03) using hardware part M1 and a screwdriver (not provided).

DO NOT use any power tools as this may damage the frame and will invalidate any claim.



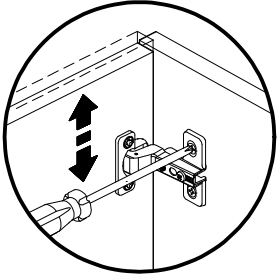
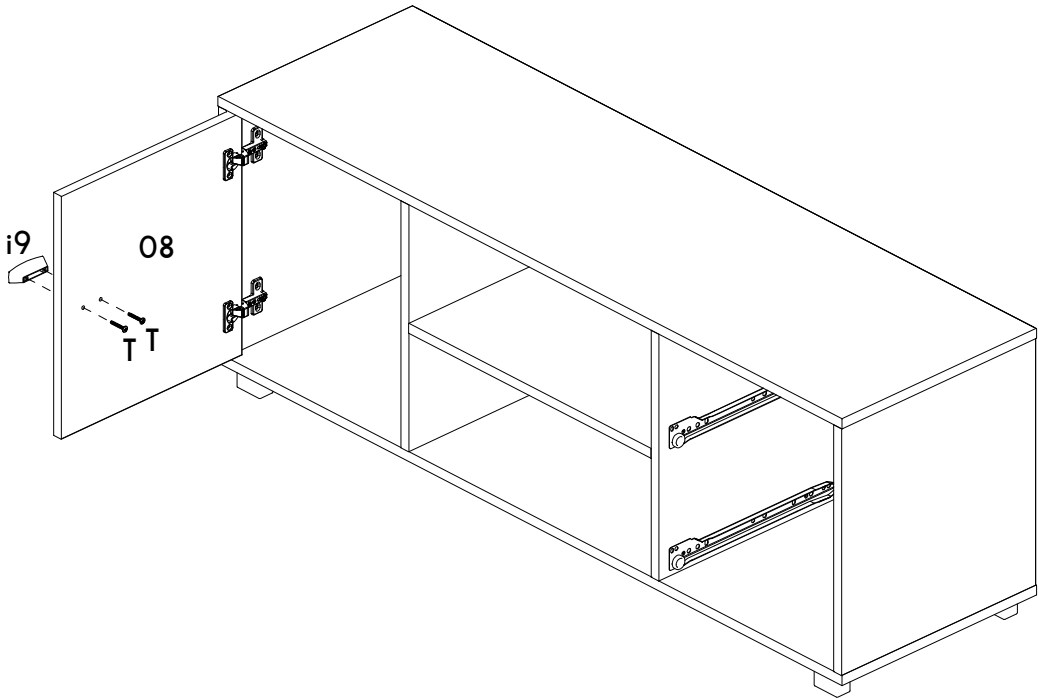
Step 13: Attach the back (12) using the hardware part N and a small mallet (not provided).

DO NOT use any power tools as this may damage the frame and will invalidate any claim.

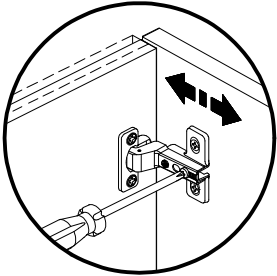


Step 14: Attach the hardware part i9 to the door (08) using the hardware part T and a screwdriver (not provided), then attach the door (08) to the side left (04) using hardware part D5 and D6.

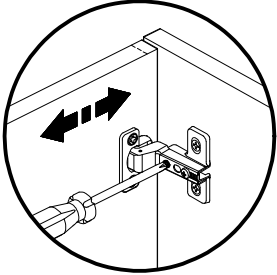
DO NOT use any power tools as this may damage the frame and will invalidate any claim.



Vertical Adjustment



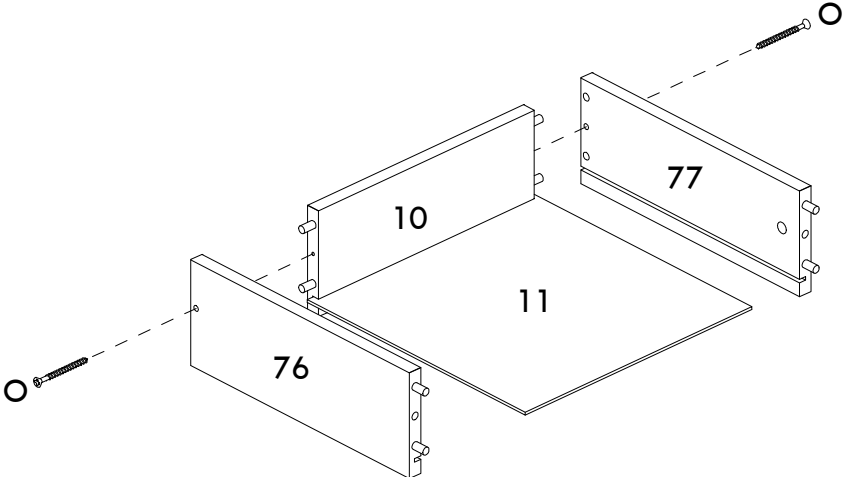
Depth Adjustment



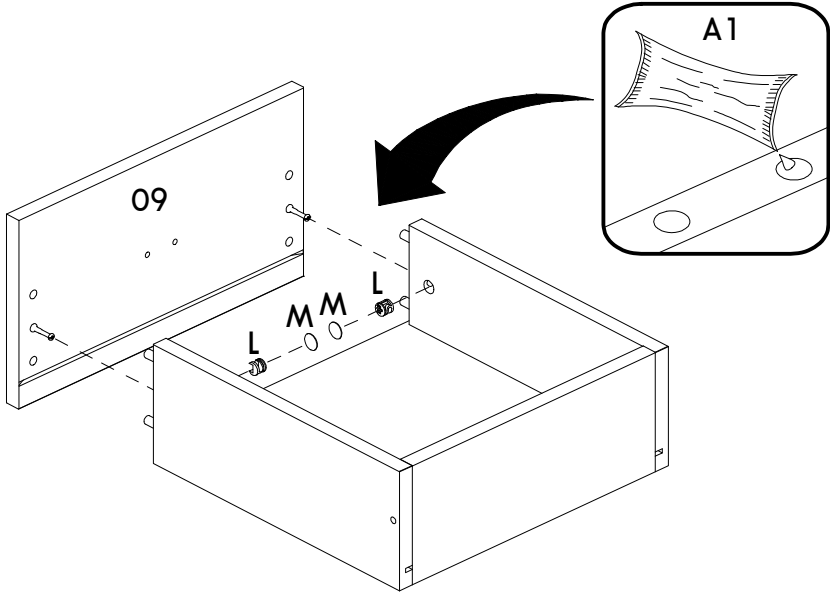
Horizontal Adjustment

Step 15: Attach the left side of drawer (76) and the right side of drawer (77) to the rear of drawer (10) and the bottom of drawer (11) using the hardware part O and a screwdriver (not provided).

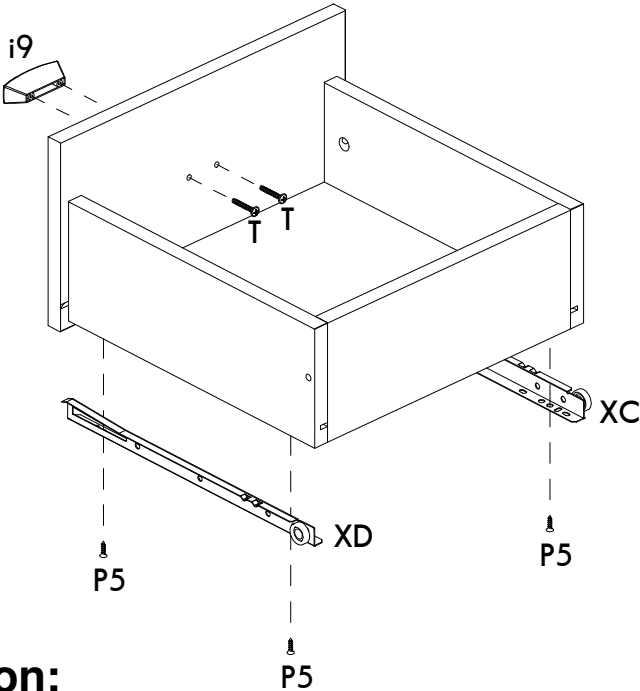
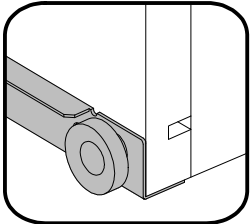
DO NOT use any power tools as this may damage the frame and will invalidate any claim.



Step 16: Attach the front of drawer (09) using the hardware part L and M and a screwdriver (not provided). **DO NOT use any power tools as this may damage the frame and will invalidate any claim.**



Step 17: Attach the hardware part XC and XD using the hardware part P5 and a screwdriver (not provided), then attach the hardware part i9 to the drawer front (09) using hardware part T and a screwdriver (not provided). **DO NOT use any power tools as this may damage the frame and will invalidate any claim.**



Additional Information:

- For complete product information, images and dimension diagrams please visit the website www.birlea.com
- If you have any issues with your item please contact the retailer directly you purchased it from who will be able to resolve any issues with Birlea.
- Why don't you send us photos of your assembled furniture to info@birlea.com to be shared in our #birleahome feature on Instagram.

