



## ASSEMBLY INSTRUCTIONS

### BERWICK 5' BED

**IMPORTANT: READ THESE INSTRUCTIONS CAREFULLY BEFORE ASSEMBLING OR USING YOUR BERWICK 5' BED FRAME.**

PLEASE KEEP THESE INSTRUCTIONS FOR FUTURE REFERENCE.

#### **HEALTH & SAFETY:**

DO NOT jump on this bed frame.

DO NOT use this bed frame if any parts are missing, damaged or worn.

DO NOT use this bed frame unless all fixings are secured.

Please keep small parts out of reach of children.

Always use on a level, even surface.

**WARNING:** If this bed is placed on a non-carpeted floor you must place some protection under all legs to stop the bed frame from moving. If this is not adhered to there is no guarantee if the bed frame collapses.

#### **CARE & MAINTENANCE:**

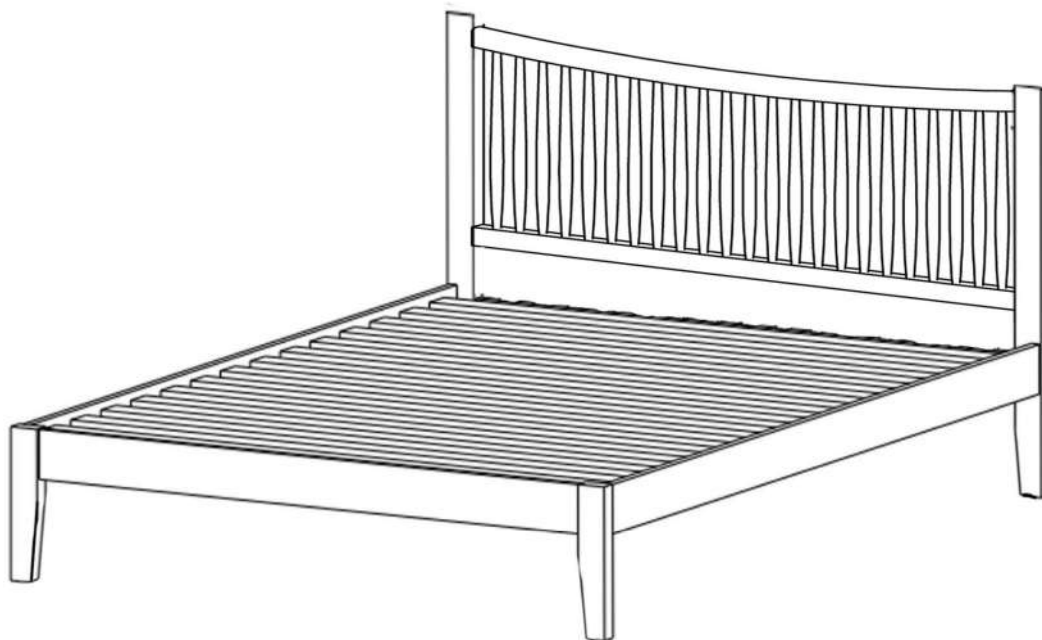
Assemble in the room of use.

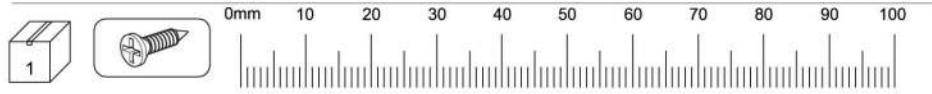
Periodically check all screws & fixings to ensure they are secure.

DO NOT push the bed frame as this will damage the legs.

Always lift the bed with two people to reposition.

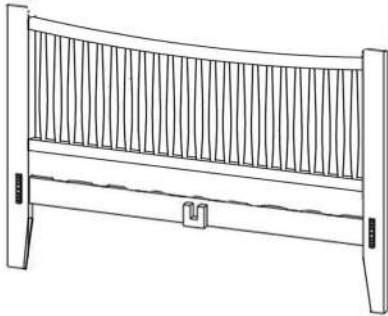
Keep any sharp objects away from the frame.



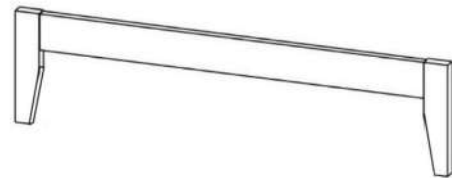


HARDWARE LIST			
Code	Decription	Qty.	Box
A	 Bolt M6x10	8 (+2 for spare)	3
B	 Screw	28	
C	 Allen key	1	
D	 Screwdriver (not supply)	1	

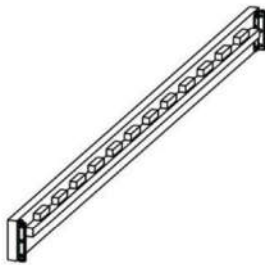
**PARTS LIST**



1 - Headboard (box 1)



2 - Footboard (box 2)



3 - Side Rail x2 (box 3)

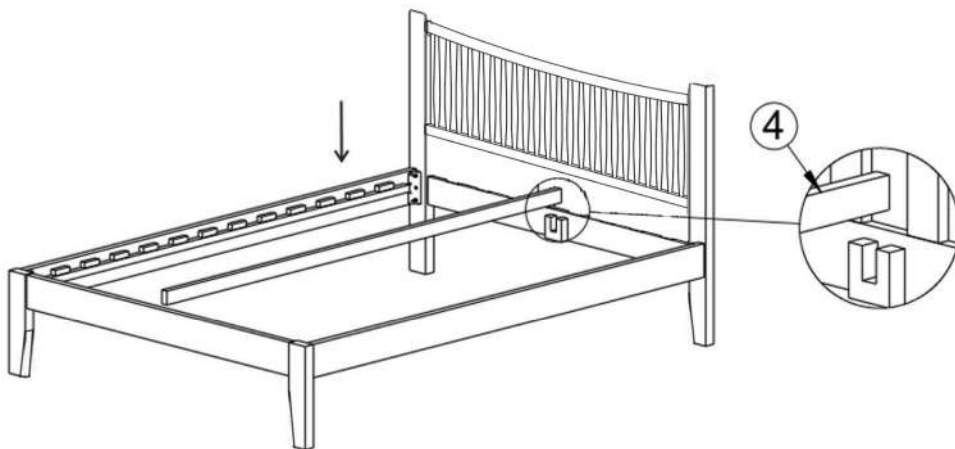
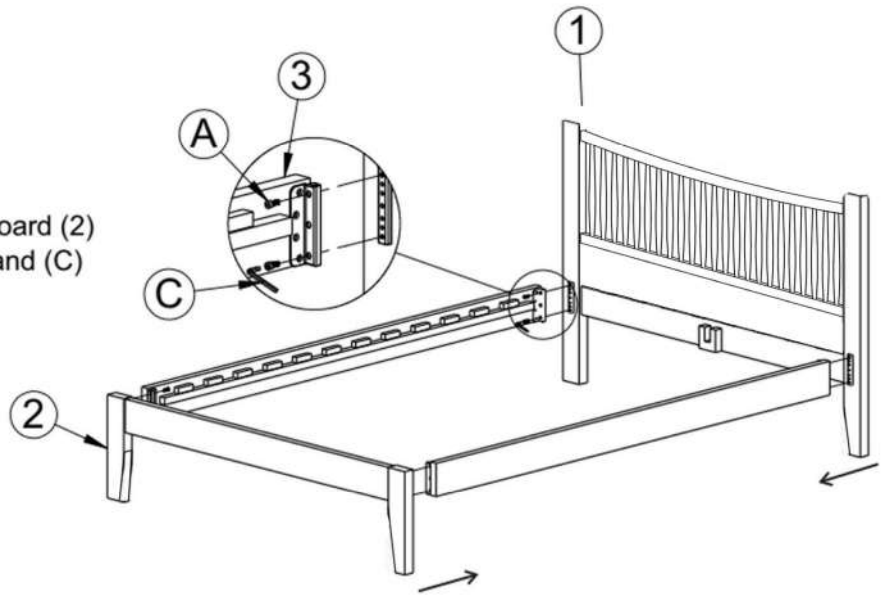


4 - Metal Bar (box 3)



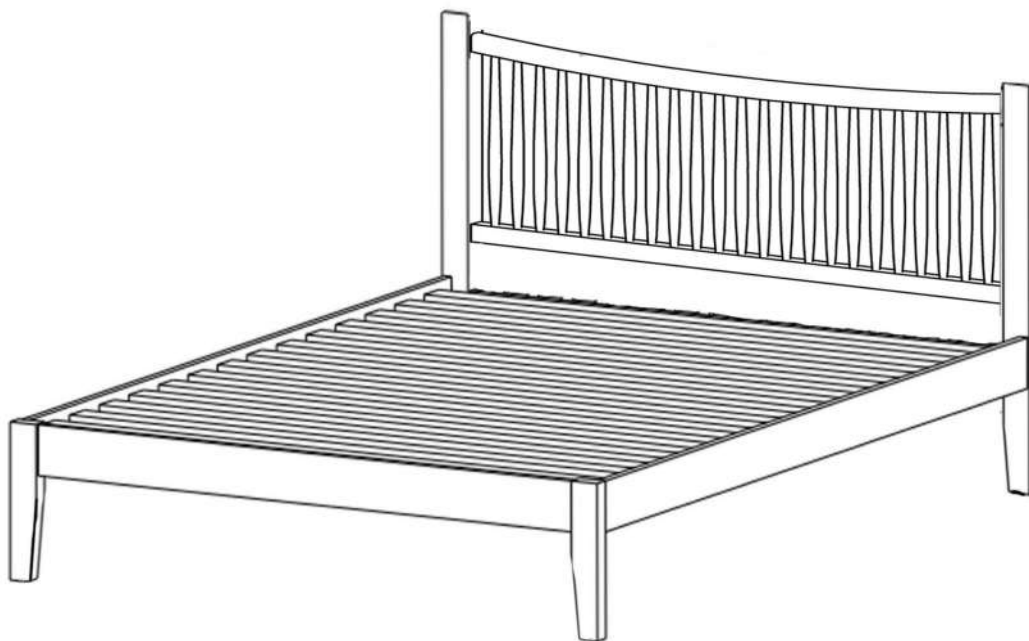
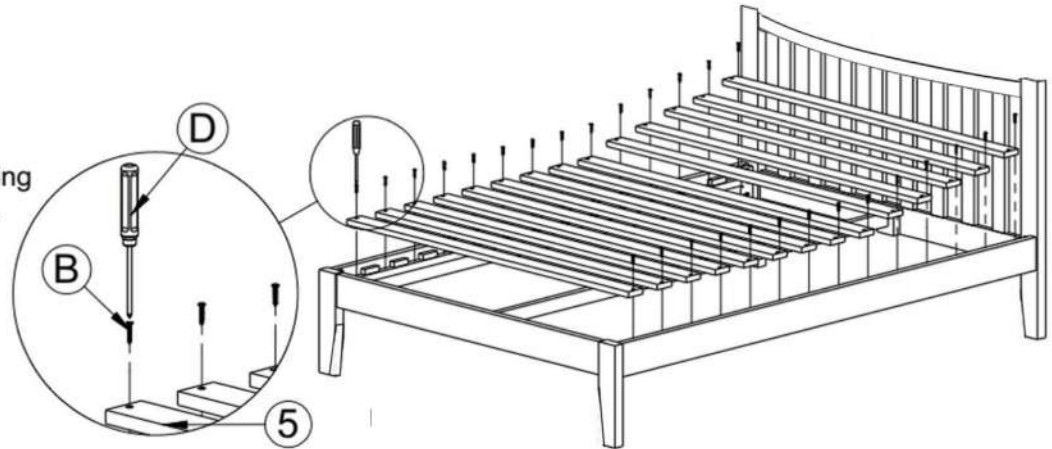
5 - Slats x14 (box 4)

STEP 1: Attach headboard (1) and footboard (2) to side rail (3) using hardware parts (A) and (C)



STEP 2: Attach metal bar (4)

STEP 2: Attach slats (5) using hardware parts (B) and (D).



### Additional Information:

- For complete product information, images and dimension diagrams please visit the website [www.birlea.com](http://www.birlea.com)
- If you have any issues with your item please contact the retailer directly you purchased it from who will be able to resolve any issues with Birlea.
- Why don't you send us photos of your assembled furniture to [info@birlea.com](mailto:info@birlea.com) to be shared in our #birleahome feature on Instagram.