



# Birlea

Suppliers of inspiration

## Assembly Instructions

---

Thank you for purchasing a Birlea product.

For a chance to win a Love 2 Shop voucher simply post a picture of your new product on your preferred social channels tagging Birlea Furniture and using the hashtag #ShareYourStyle and #Birlea. One winner will be selected at random each month.

To view our full terms and conditions please visit our website. [www.birlea.com](http://www.birlea.com)

---

### Are you happy with your purchase?

**Yes:** That's great, we would love to hear more from you. Please leave us a review on our social media channels or Trustpilot. Your feedback will be greatly appreciated.

**No:** If for any reason there is something missing, indifferent or incorrect with your order, please contact the retailer you purchased the item from. We will work with the retailer to resolve your issue as quickly as possible.



[www.birlea.com](http://www.birlea.com)



# Birlea

Suppliers of inspiration

## Assembly Video

---

For a step by step guide on how to build our Lynx 6 Drawer Chest visit our YouTube channel 'BirleaFurnitureLtd' or alternatively scan the QR code on your smart phone.



---

### How to scan a QR code from an apple device

**Step One:** Open up the camera app

**Step Two:** Hold the device's camera up to the QR code

**Step Three:** Your Apple device will automatically recognise the QR code and provide you with a link to the video.

### How to scan a QR code from an android device

**Step One:** Download the QR Code reader application from the Play Store.

**Step Two:** Open the QR code application and open the camera.

**Step Three:** Your Android device will automatically recognise the QR code and provide you with a link to the video.

### How to scan a QR code from a Window's device

**Step One:** Open up the camera app

**Step Two:** Hold the device's camera up to the QR code

**Step Three:** Your Window device will automatically recognise the QR code and provide you with a link to the video.

Please ensure that you device is up to date with the latest operating system.



# Birlea

Suppliers of inspiration

Vendor: S000139



## ASSEMBLY INSTRUCTIONS LYNX 6 DRAWER CHEST

**IMPORTANT: READ THESE INSTRUCTIONS CAREFULLY BEFORE ATTEMPTING TO ASSEMBLE OR USE YOUR LYNX 6 DRAWER CHEST.**

**PLEASE KEEP THESE INSTRUCTIONS FOR FUTURE REFERENCE.**

### **ASSEMBLY:**

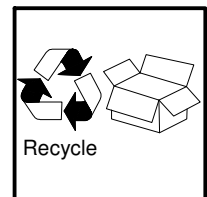
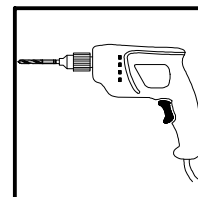
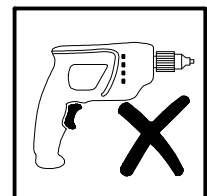
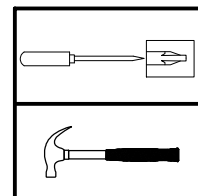
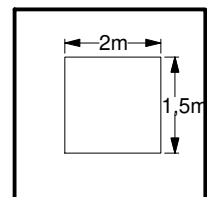
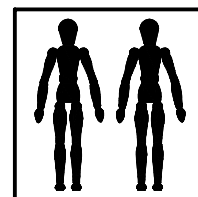
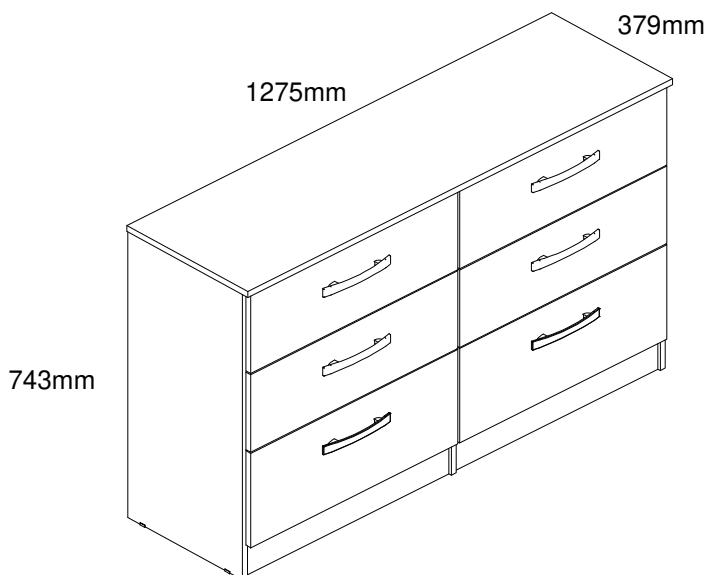
Assembly should be carried out with this item laying flat, not standing upright.  
Assemble on a soft, clean surface to prevent damages.  
To erase the numbers printed on the pieces, use the rubber into the accessories pack.

### **HEALTH & SAFETY:**

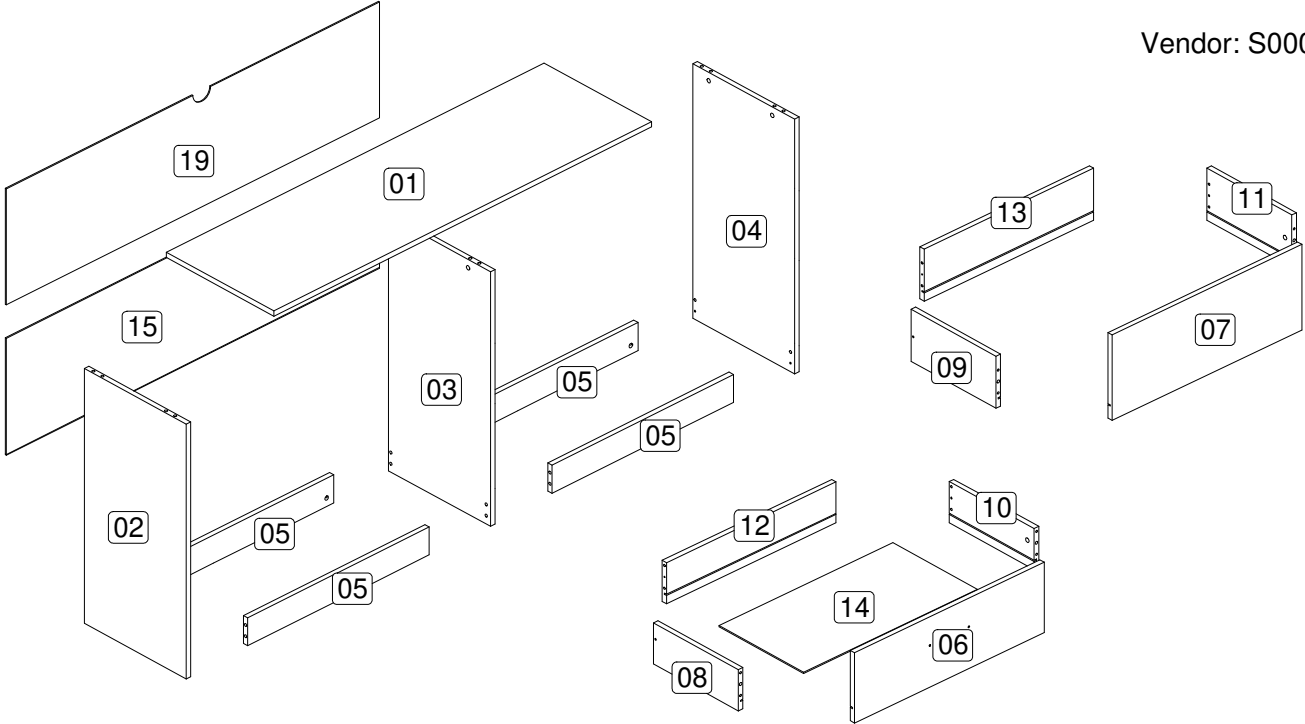
DO NOT use this chest if any parts are missing, damaged or worn.  
DO NOT use this chest unless all fixings are secured .  
Always use on a level, even surface.




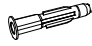
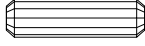


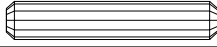

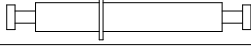


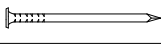

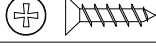

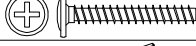

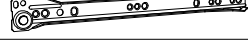



### **CARE & MAINTENANCE:**

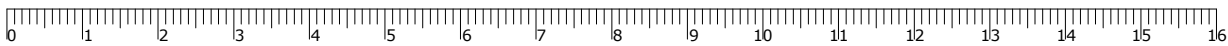
Periodically check all screws & fixings to ensure they are secure.  
DO NOT push the chest as this will damage the base.  
Always lift the chest with two people to reposition.  
Keep any sharp objects away from the chest.



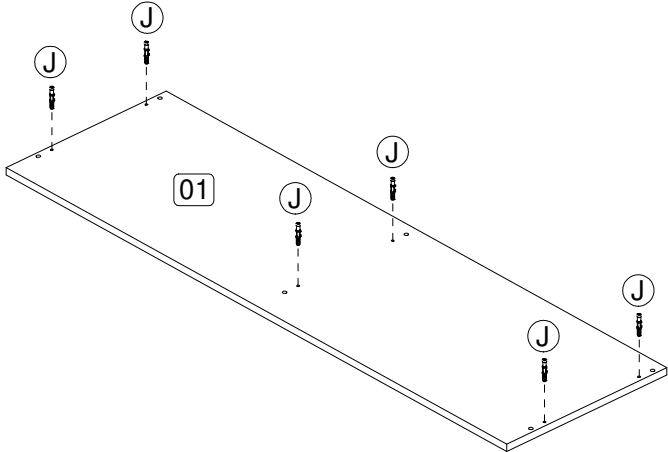
[www.birlea.com](http://www.birlea.com)



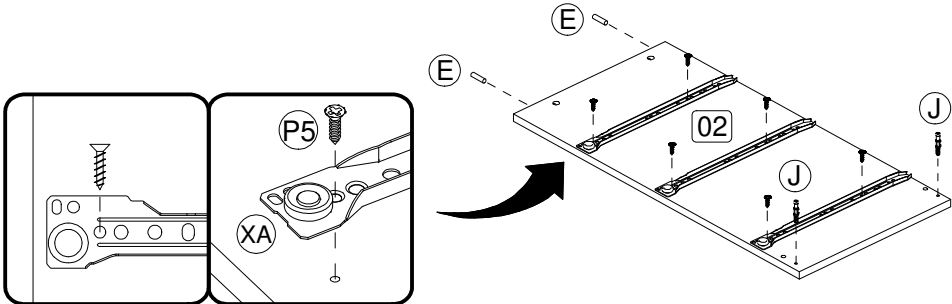
Parts List			Identification of Accessories		
Part	Description	Qty	Part	Description	Qty
01	Top Panel	1	A	5 x 60 mm Screw	 1
02	Left Panel	1	A1	Glue	 1
03	Center Panel	1	A6	Spine	 2
04	Right Panel	1	B3	Bushing	 1
05	Plinth	4	E	8 x 30mm Wooden Dowel	 58
06	Small Drawer Front	4	E7	Small Plastic Foot	 6
07	Large Drawer Front	2	E9	Strap	 1
08	Left Side Panel - Small Drawer	4	F	8 x 50mm Wooden Dowel	 2
09	Left Side Panel - Large Drawer	2	J	Simple Minifix Screw	 22
10	Right Side Panel – Small Drawer	4	K	Double Minifix Screw	 2
11	Right Side Panel – Large Drawer	2	L	Cam Lock	 26
12	Small Drawer Back	4	M	Plastic Cap	 12
13	Large Drawer Back	2	N	10 x 10mm Tack	 45
14	Drawer Base	6	O	4.5 x 45mm Screw	 12
15	Bottom Back Panel	1	P5	3,5 x 14mm Screw	 37
19	Upper Back Panel	1	R	6 x 8mm Screw	 12
<p><b>** You will need a small mallet and a screwdriver for assembly.</b>  <b>** Some screws and wooden dowel may remain.</b>  <b>** Wall plug and screw is supplied to attach strap to the wall.</b></p>			T	3.5 x 25mm Screw	 12
			W2	Handles	 6
			XA	Metallic slide the left field	 6
			XB	Metallic slide the right field	 6
			XC	Drawer slide left	 6
			XD	Drawer slide right	 6



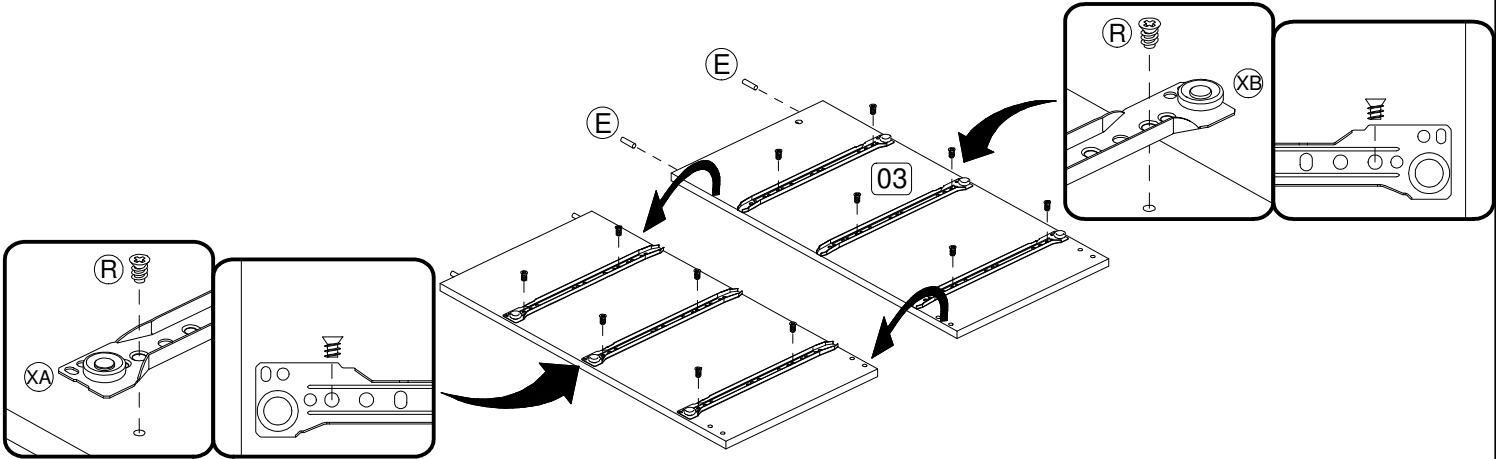
**Step 1:** Insert hardware part J into the top panel (1) using a screwdriver (not provided).  
**DO NOT use any power tools as this may damage the frame and will invalidate any claim.**



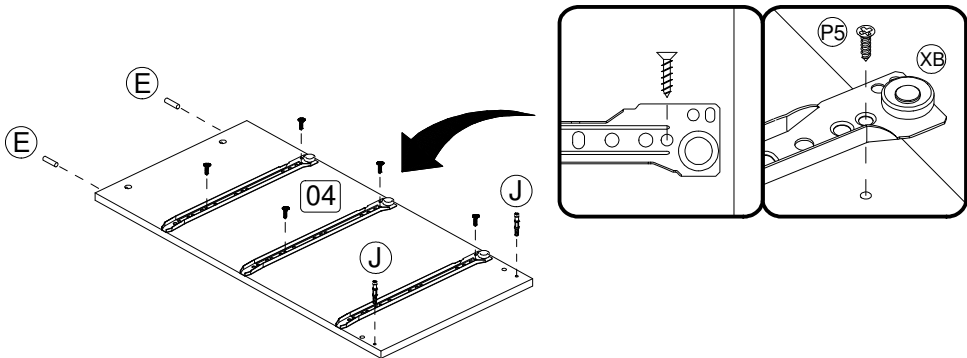
**Step 2:** Attach three drawer runners (XA) to the left panel (2) using hardware part P5 and a screwdriver (not provided). Insert hardware parts E and J using a small mallet and a screwdriver (not provided).  
**DO NOT use any power tools as this may damage the frame and will invalidate any claim.**



**Step 3:** Attach three drawer runners (XA) and (XB) to each side of the center panel (3) using hardware parts R and screwdriver (not provided). Insert hardware part E using a small mallet (not provided).  
**DO NOT use any power tools as this may damage the frame and will invalidate any claim.**

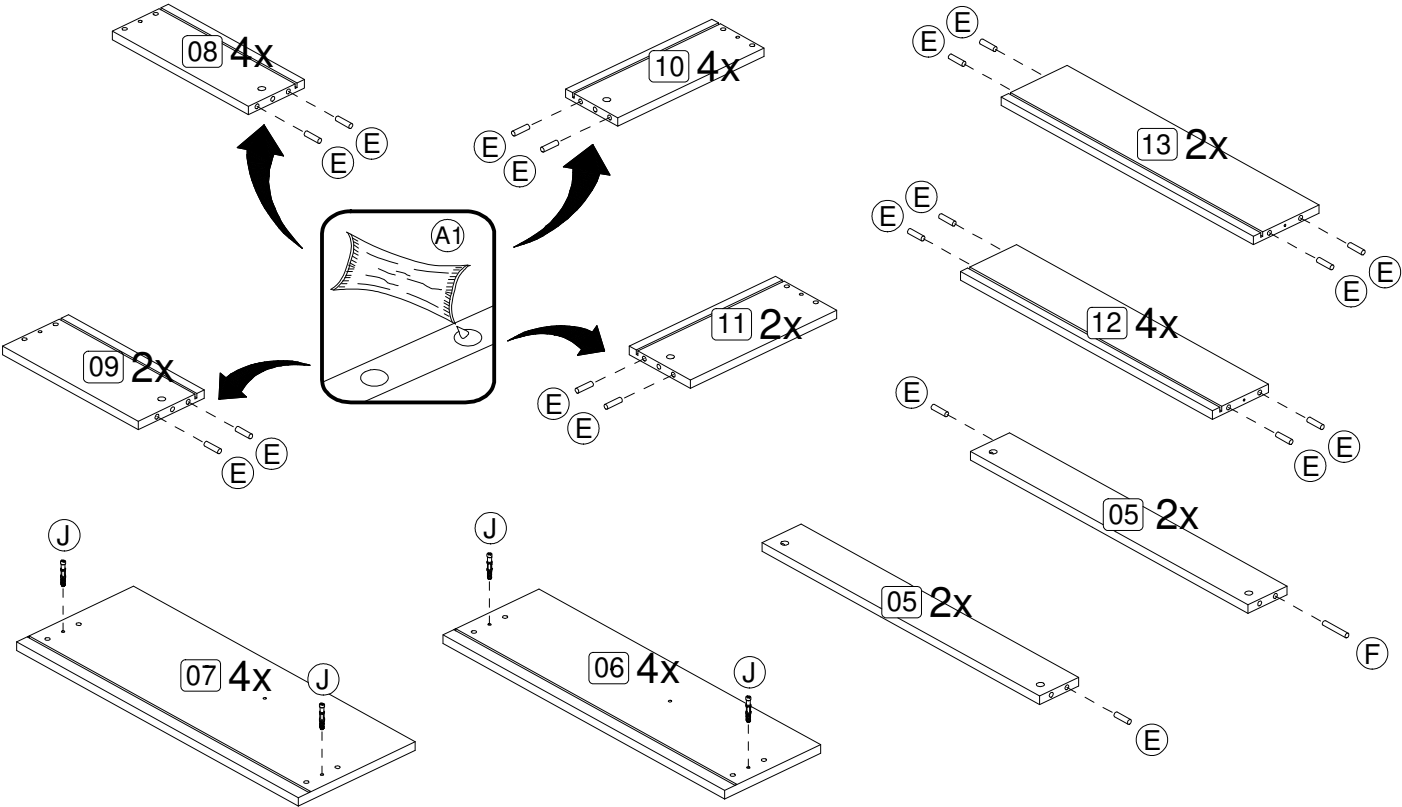


**Step 4:** Attach three drawer runners (XB) to the right panel (4) using hardware parts P5 and a screwdriver (not provided). Insert hardware parts E and J using a small mallet and screwdriver (not provided).  
**DO NOT use any power tools as this may damage the frame and will invalidate any claim.**



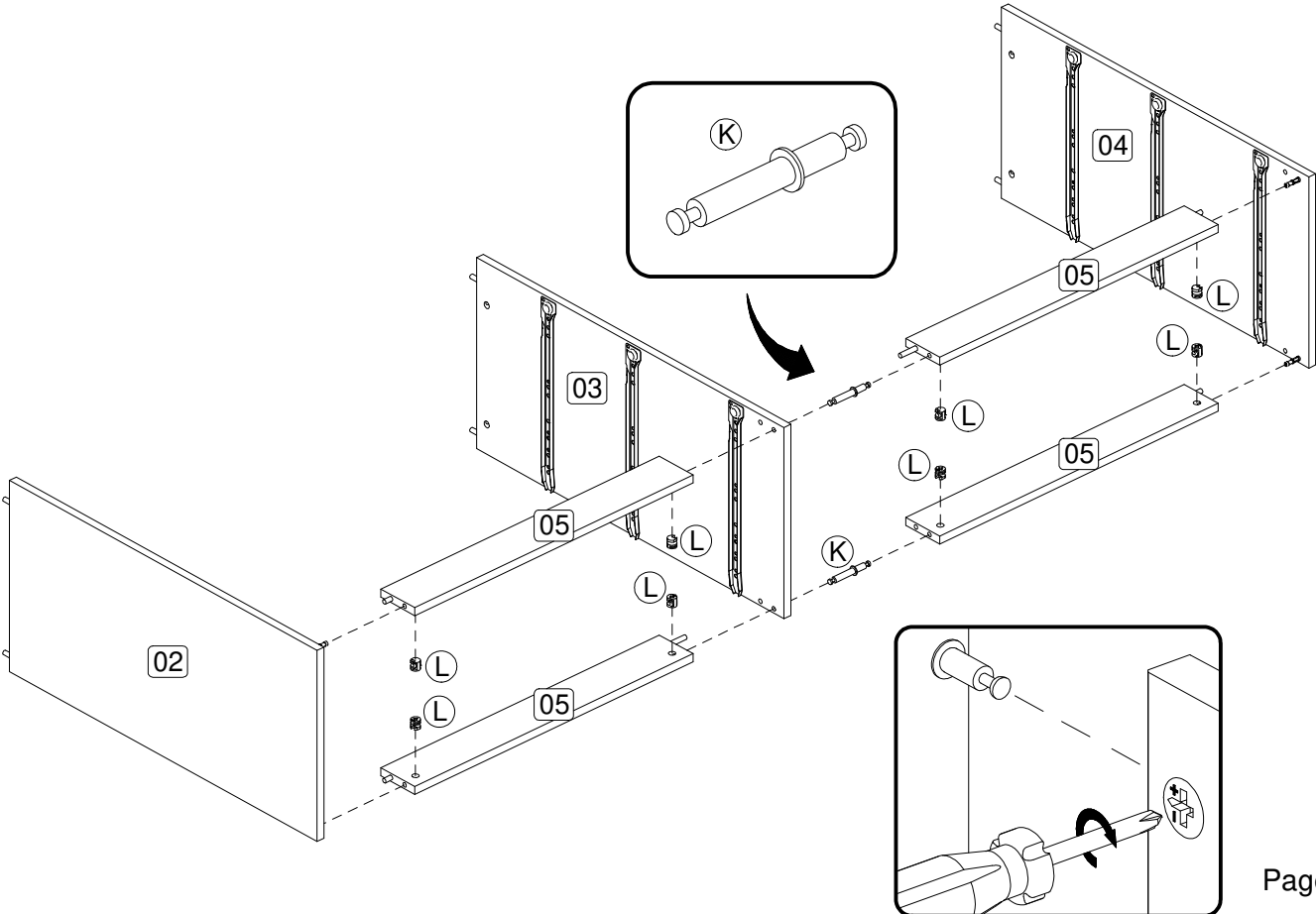
**Step 5:** Insert hardware parts E, F and J using hardware part A1, a small mallet and a screwdriver (not provided).

**DO NOT use any power tools as this may damage the frame and will invalidate any claim.**



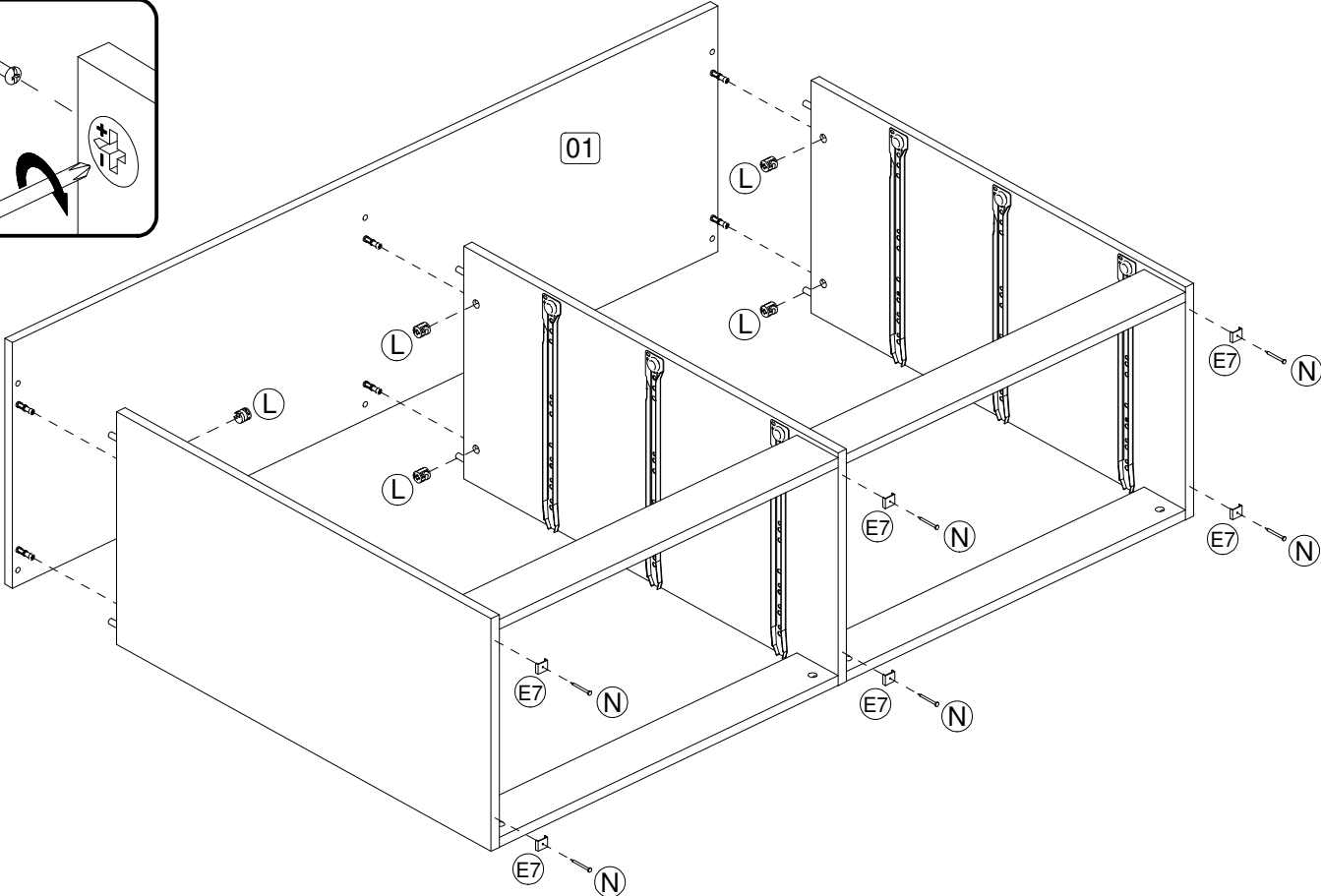
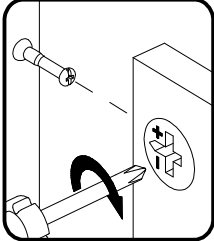
**Step 6:** Attach the plinths (5) to the left panel (2), center panel (3) and right panel (4) using hardware parts K and L with a screwdriver (not provided).

**DO NOT use any power tools as this may damage the frame and will invalidate any claim.**



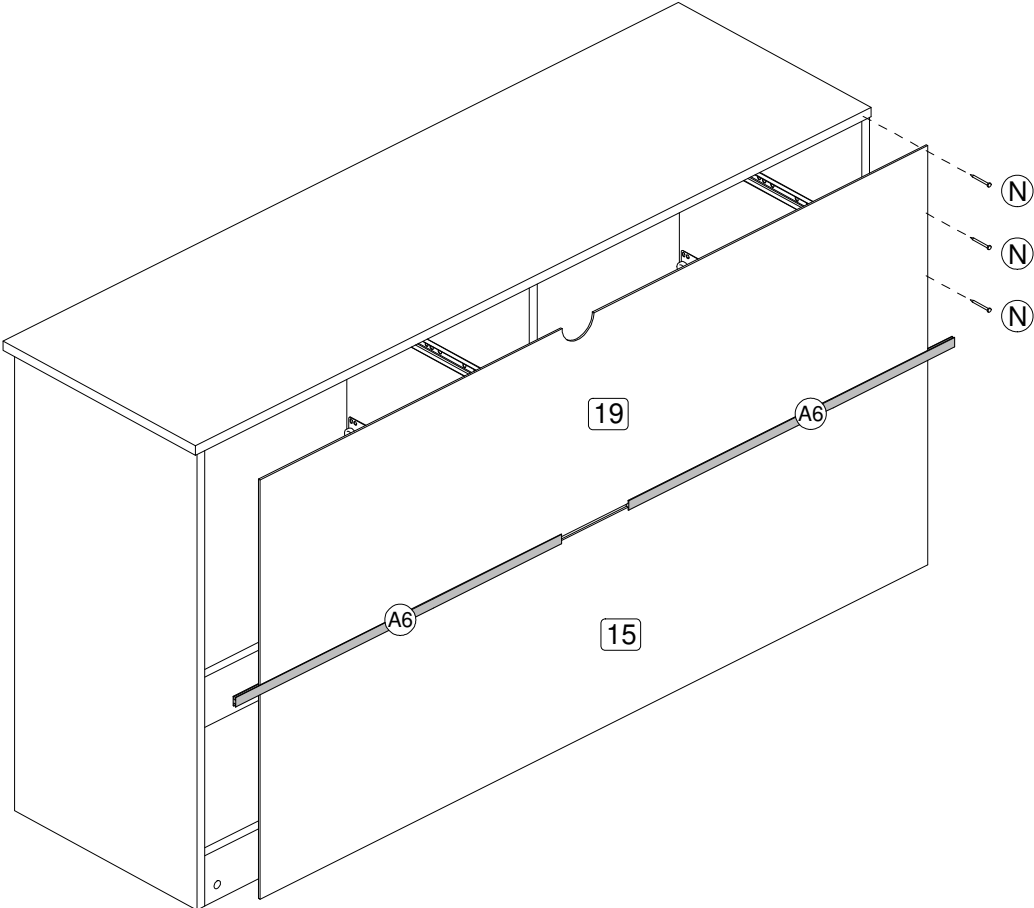
**Step 7:** Attach the top panel (1) using hardware part L. Attach hardware part E7 to the base using hardware part N. You will need to use a screwdriver (not provided).

**DO NOT use any power tools as this may damage the frame and will invalidate any claim.**



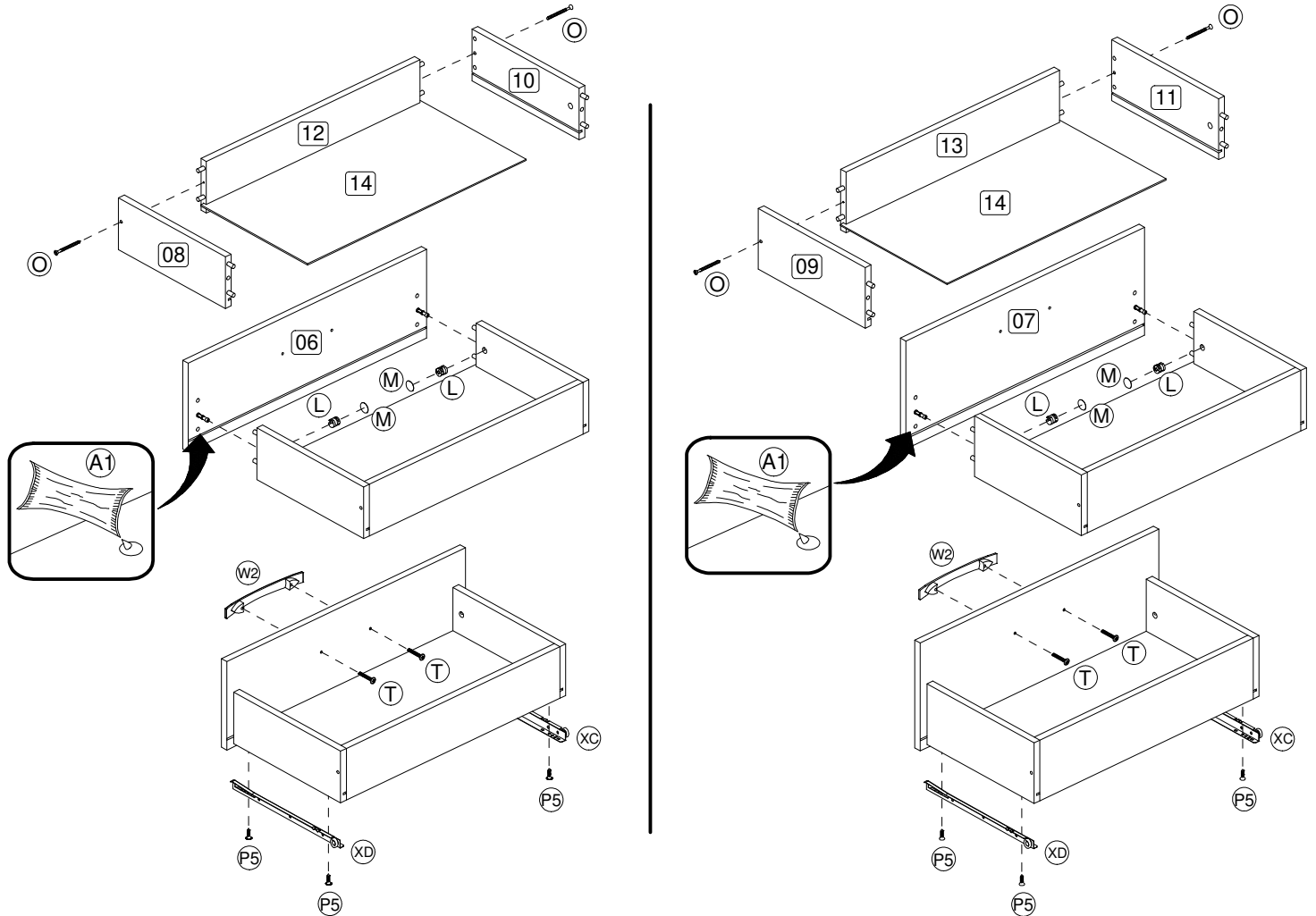
**Step 8:** Connect the back panels (15) and (19) using the spine (A6) and secure using hardware part N and a small mallet (not provided).

**DO NOT use any power tools as this may damage the frame and will invalidate any claim.**



**Step 9:** Assemble the drawer components using hardware parts A1, L, M, P5, T, W2, XC and XD with a screwdriver (not provided).

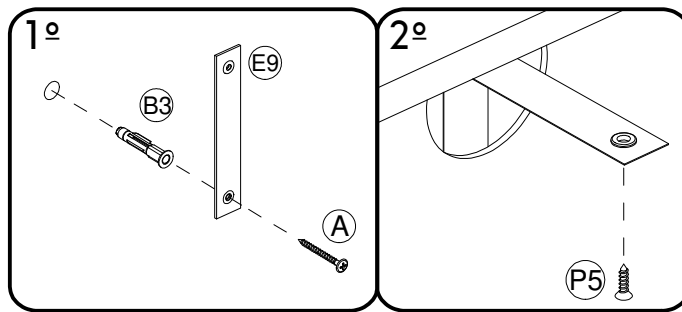
**DO NOT use any power tools as this may damage the frame and will invalidate any claim.**



**Step 10:** To secure the item to the wall use hardware parts A, B3 and E9 using a screwdriver (not provided). Then attach hardware part P5 to the item with a screwdriver (not provided).

**DO NOT use any power tools as this may damage the frame and will invalidate any claim.**

**Birlea Furniture advise you use the wall straps provided to further enhance the safety of this product**



### Additional Information:

- For complete product information, images and dimension diagrams please visit the website [www.birlea.com](http://www.birlea.com)
- If you have any issues with your item please contact the retailer directly you purchased it from who will be able to resolve any issues with Birlea.
- Why don't you send us photos of your assembled furniture to [info@birlea.com](mailto:info@birlea.com) to be shared in our #birleahome feature on Instagram.