



Birlea

Suppliers of inspiration

Assembly Instructions

Thank you for
purchasing a
Birlea product.

For a chance to win a Love 2 Shop voucher simply post a picture of your new product on your preferred social channels tagging Birlea Furniture and using the hashtag **#ShareYourStyle** and **#Birlea**. One winner will be selected at random each month.

To view our full terms and conditions please visit www.birlea.com

Are you happy with your purchase?

Yes: That's great, we would love to hear more from you. Please leave us a review on our social media channels or Trustpilot. Your feedback will be greatly appreciated.

No: If for any reason there is something missing, indifferent or incorrect with your order, please contact the retailer you purchased the item from. We will work with the retailer to resolve your issue as quickly as possible.



Sienna Ottoman Bed - King

Assembly Instructions

Before you begin...

1. Please check you have received the correct product.
2. Unpack all boxes and lay out each component on the floor.
3. Check your product for any damage that may be immediately obvious. If damage is identified, please contact your retailer.
4. Please read through these instructions thoroughly to ensure you have constructed your bed correctly.

For Care and Maintenance of your bed...

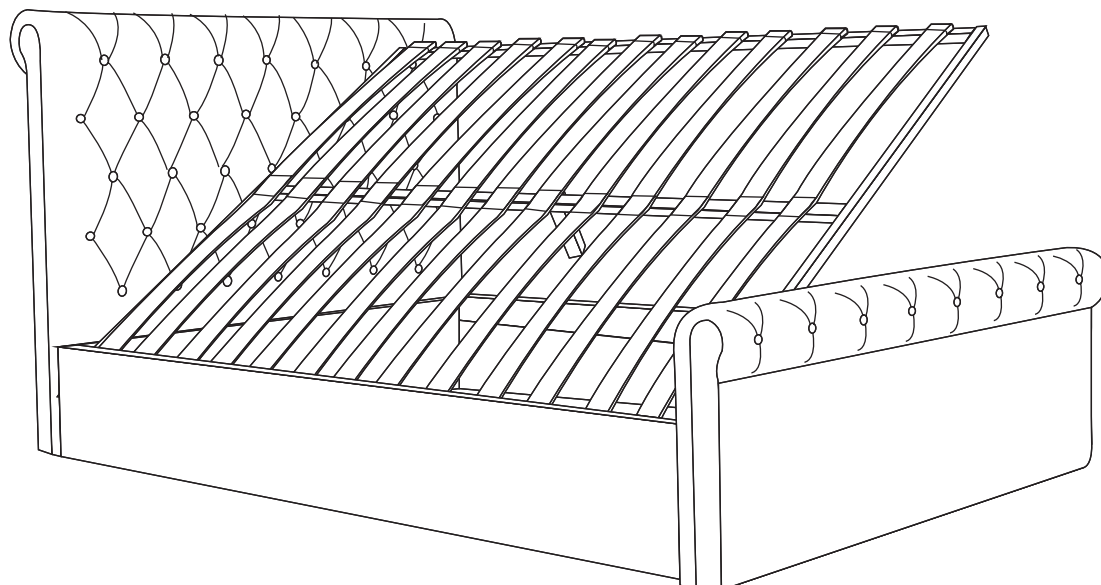
- Always assemble in your desired room of use.
- Always check all screws and fixings periodically to ensure they are still secure.
- Do not push or pull this bed as it will cause damage.
- Always lift this bed with a second person to prevent damage or injury.
- Keep any sharp objects away from this bed frame.

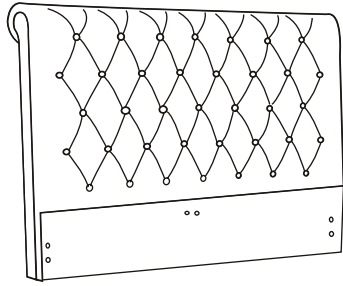
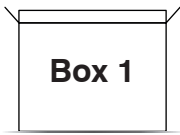
For your Health and Safety...

- Please don't jump on this Bed.
- Do not use this bed if you find missing, damaged or worn parts. Please contact your retailer.
- Please do not use this bed until you have fully secured all fixings.
- Please keep all small components away from children.
- Please ensure this bed is on an even, level surface.

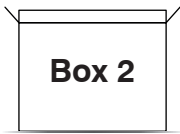
Also...

If your desired room of choice has a non-carpeted surface please ensure that you use some form of protection and **do not** place directly on the wooden floor. This will prevent the bed from moving and therefore collapsing which will void your guarantee..

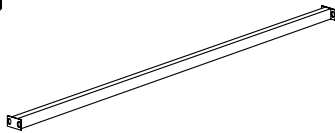




A. Headboard (x1)



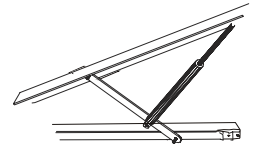
B. Side Rails (x2)



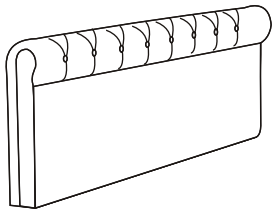
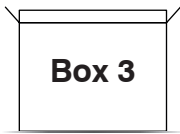
C. Centre Support Rail (x1)



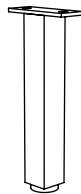
D. Left & Right Frame Rail (x2)



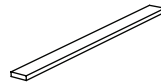
E. Hydraulic Part (x2)



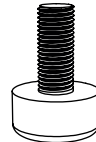
F. Footboard (x1)



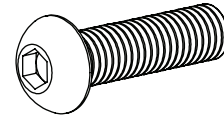
G. Support Leg (x1)



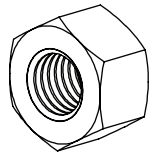
H. Slats (x28)



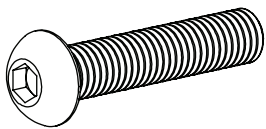
I. Legs (x4)



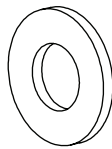
J. M8x30mm Bolts (x8)



K. Nuts (x16)



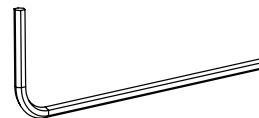
L. M8x45mm Bolts (x18)



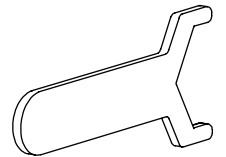
M. Flat Washer (14)



N. Spring Washer (x14)



O. M5 Allen Key (x1)



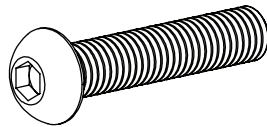
P. Spanner (x1)



Q. Slat Caps (x28)



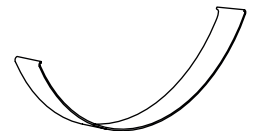
R. Centre Slat Caps (x14)



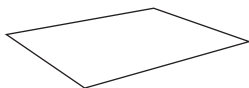
S. M8x40mm Bolts (x4)



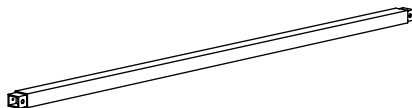
T. Bed Cross Bar (x1)



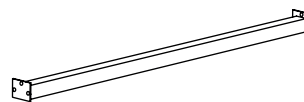
U. Pull Strap (x1)



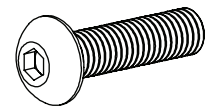
V. Woven Fabric (x1)



W. Front and Back Frame Rail (x2)

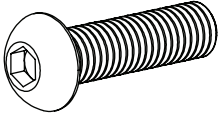


X. Cross Support Bar (x2)

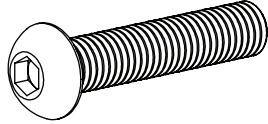


Y. M6x16mm Bolts (x2)

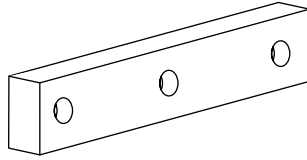
**Box 3
Cont...**



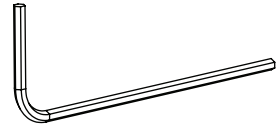
Z. M8x16mm Bolts (x4)



A1. M8x65mm Bolts (x4)



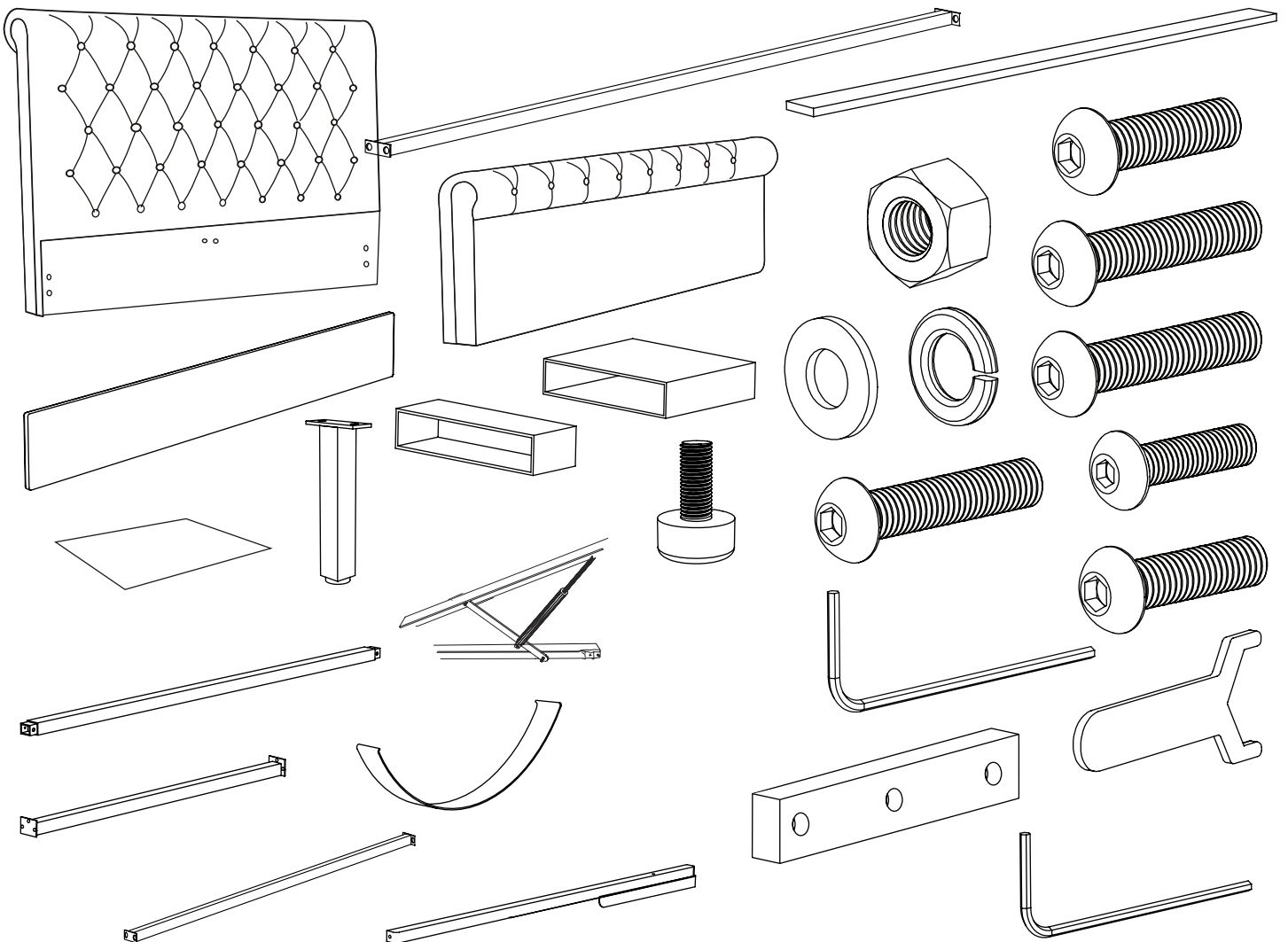
B1. Baton (x2)



C1. M4 Allen Key (x1)

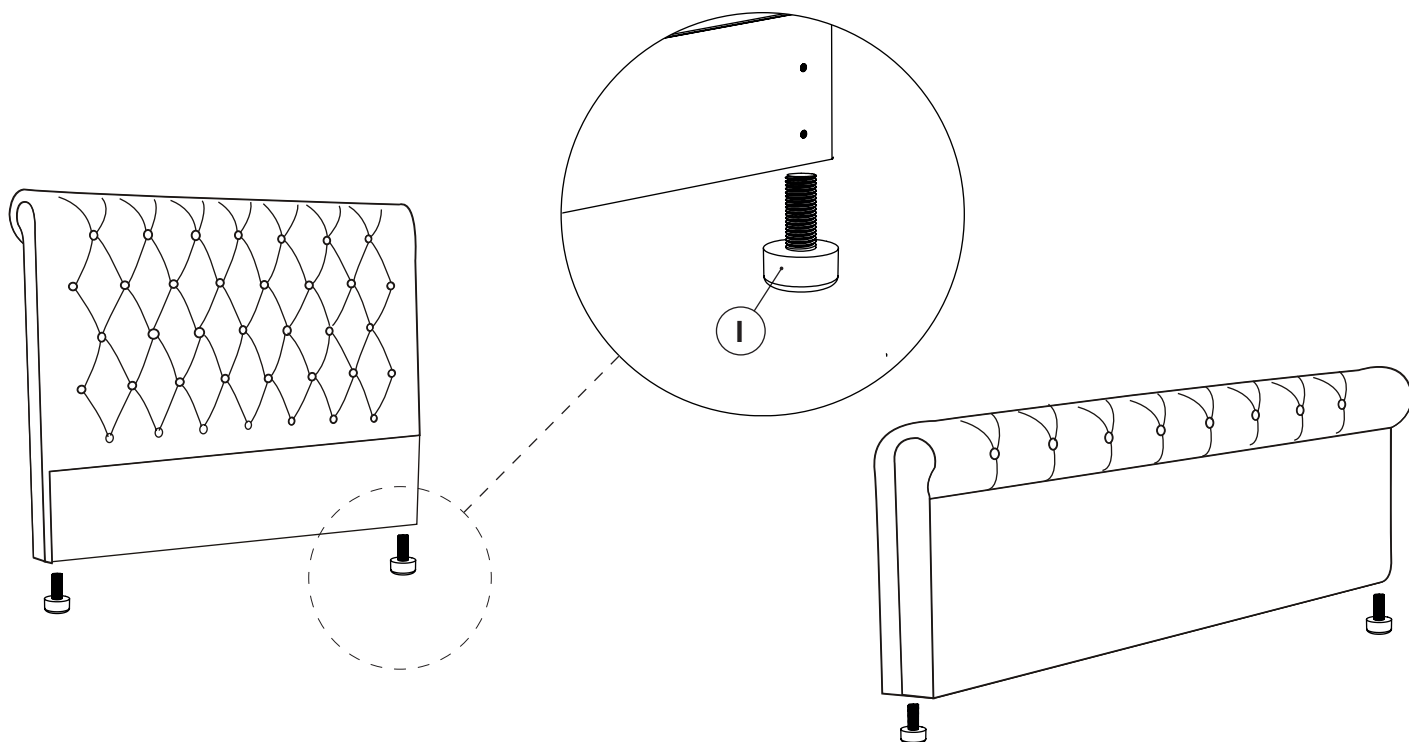
Step 1

Unpack all components from the boxes and check you are not missing anything. Please check these against the list on page 3 & 4. Should you identify any missing components, please contact the retailer you purchased the bed from.



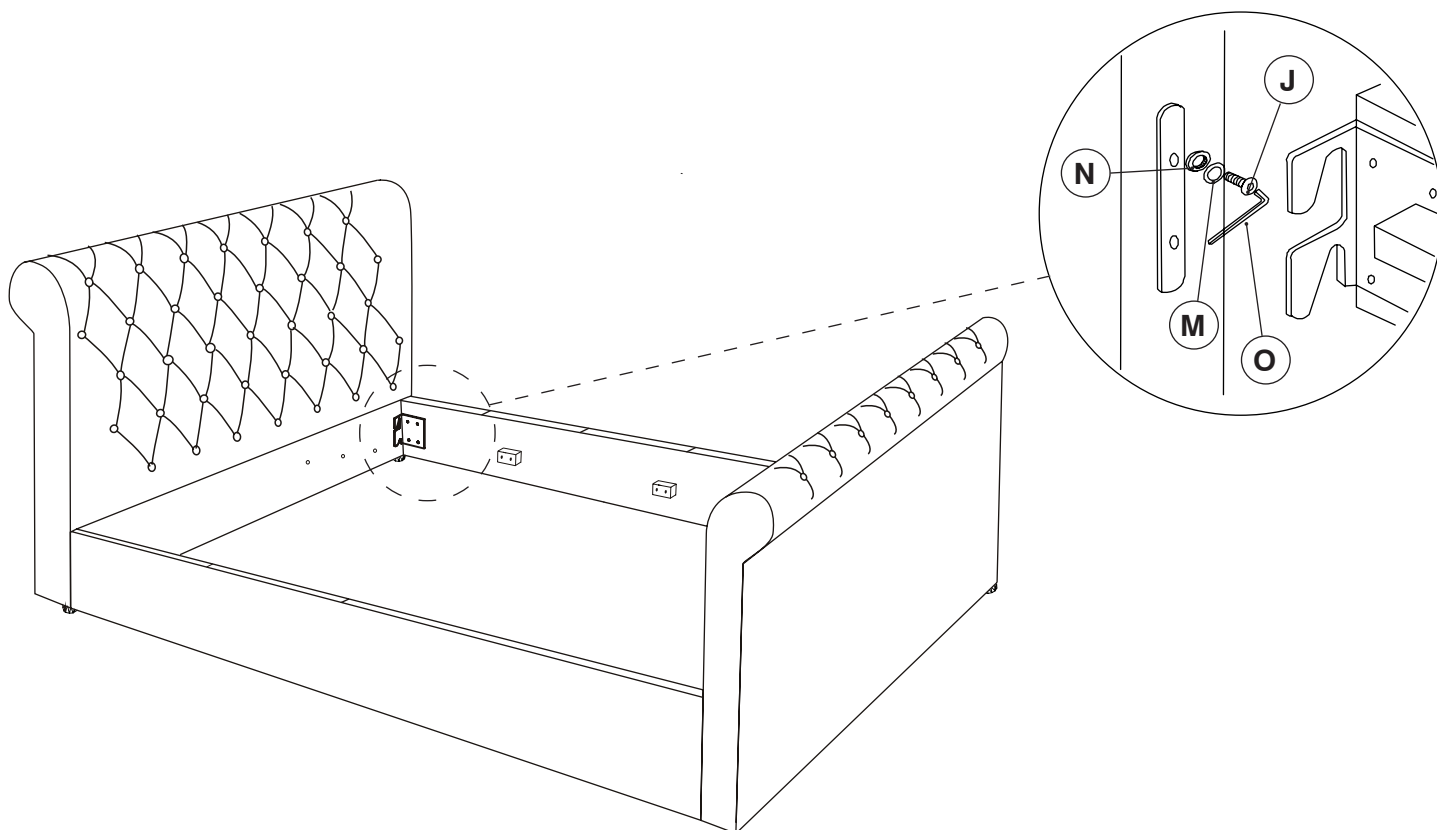
Step 2

Attach 2x Legs (I) to the 1x Headboard (A) and then attach 2x Legs (I) to the 1x Footboard (F). Please do not use any *power tools* for this assembly as it will void your guarantee.



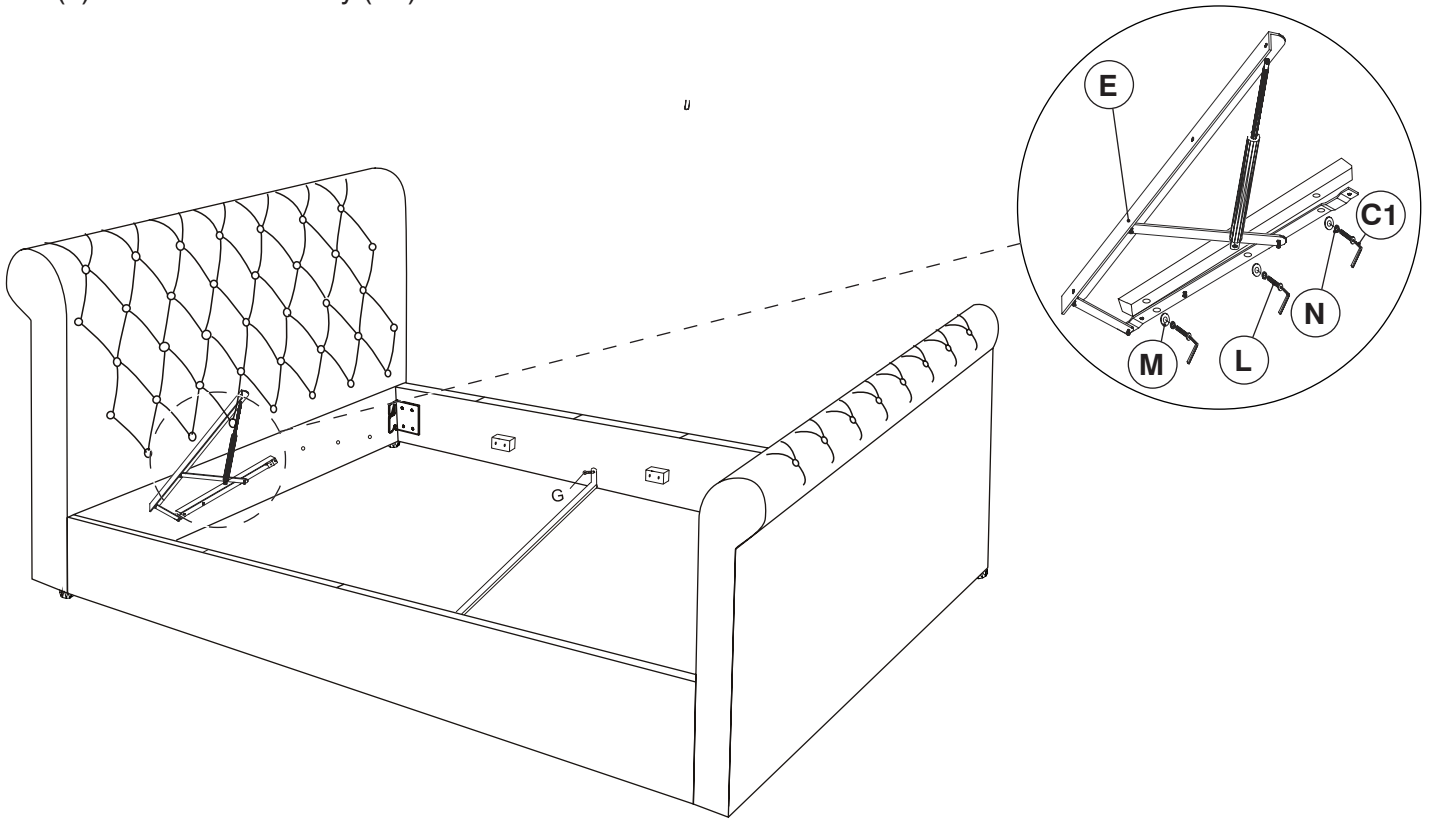
Step 3

Attach 2x Side Rails (B) to 1x Headboard (A) and 1x Footboard (F) using 8x M8x30mm Bolt (J), 8x Spring Washer (N), 8x Flat Washer (M) and 1x M5 Allen Key (O).



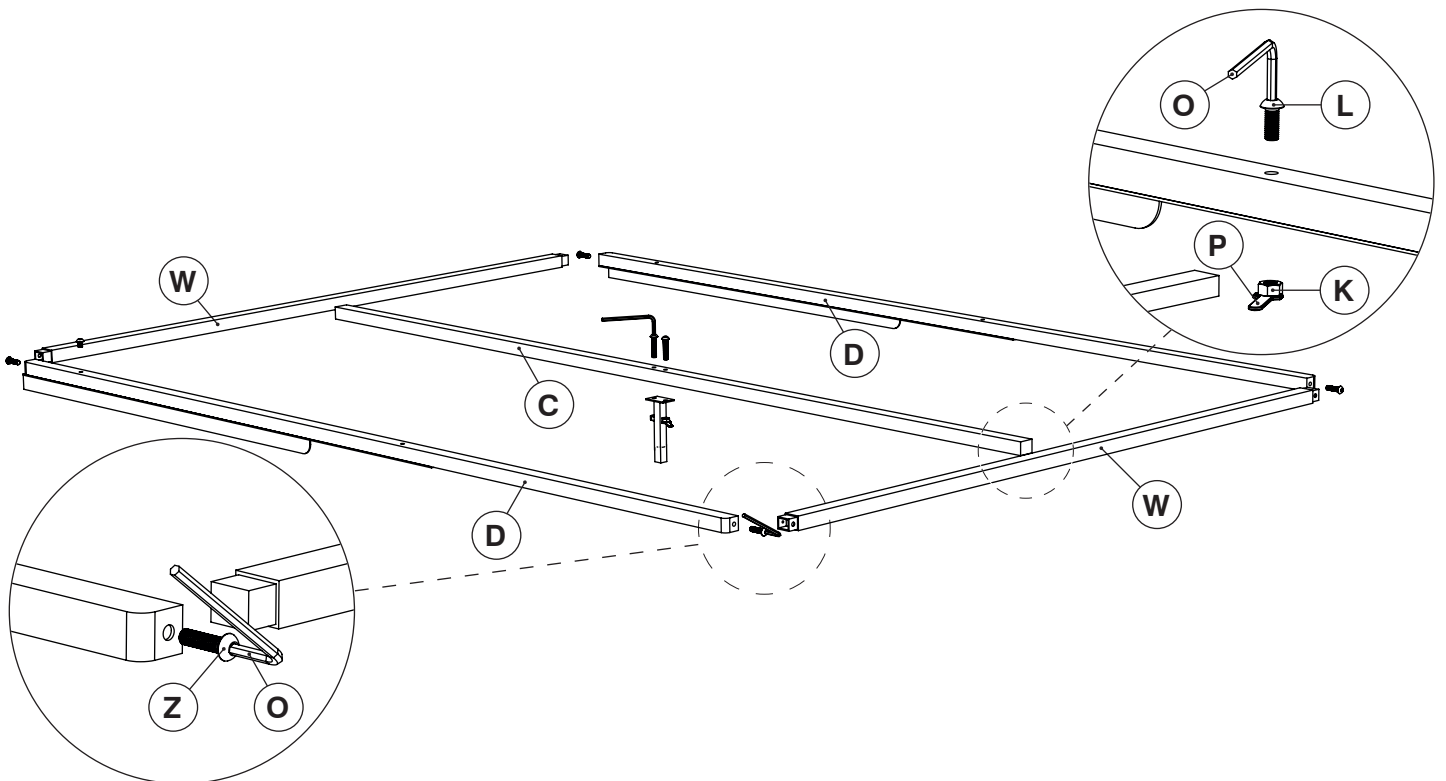
Step 4

Attach 2x Hydraulic Part (E) and Baton (B1) to 1x Headboard (A) and 1x Footboard (F) using 6x M8x45mm Bolts (L), 6x Spring Washer (N) and 6x Flat Washer (M). Then attach 1x Cross Bar (T) to 2x Side Rail (B) using 2x M6x16mm Bolts (Y) and 1x M4 Allen Key (C1).



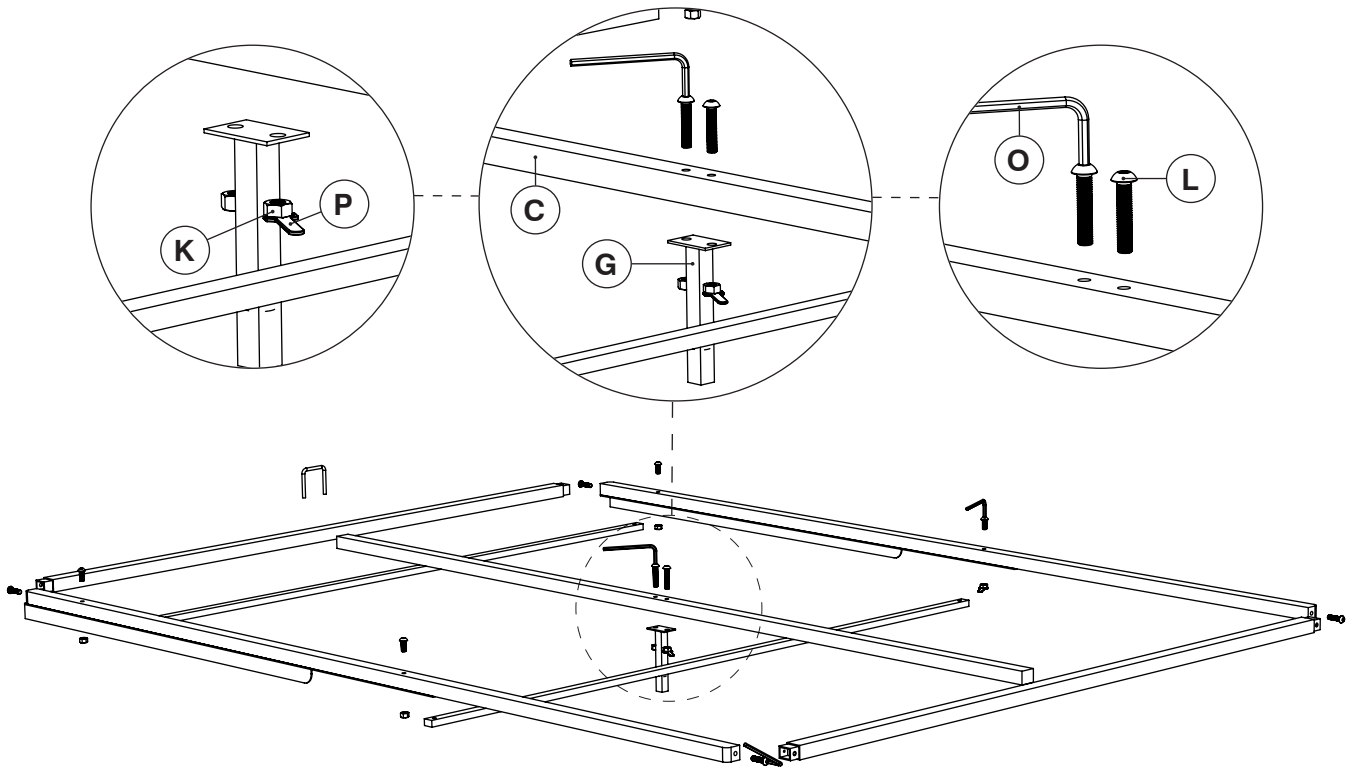
Step 5

Attach the 2x Front and Back Frame Rails (W) to the 2x Left & Right Frame Rail (D) using 4x M8x16mm Bolts (Z) and 1x M5 Allen Key (O). Then attach the Centre Support Rail (C) to the 2x Left & Right Frame Rail (D) using 6x M8x45mm Bolts (L), 6x Nuts (K), 1x M5 Allen Key (O) and 1x Spanner (P)..



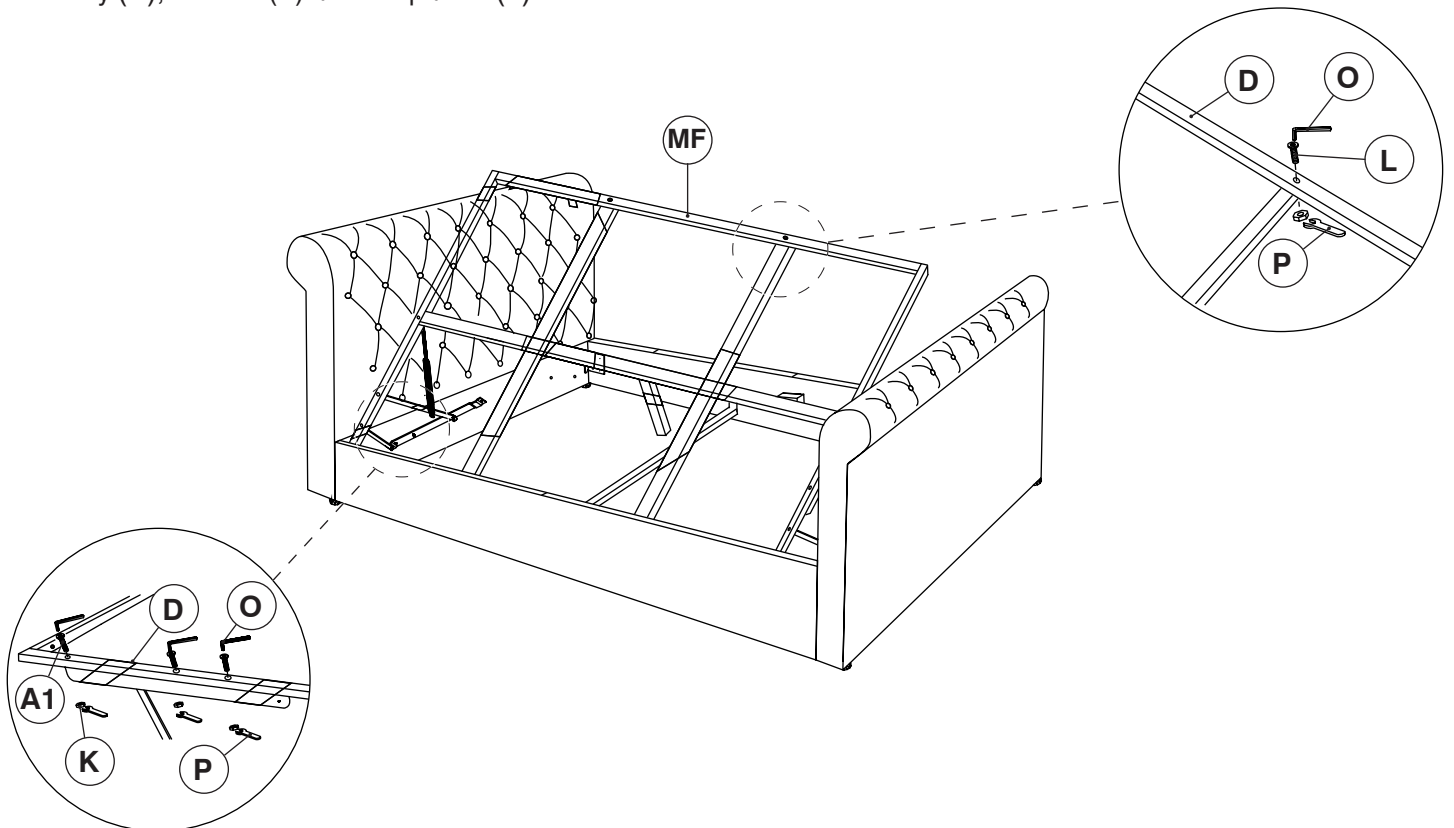
Step 6

Attach the Centre Support Leg (**G**) to the Centre Support Rail (**C**) using 6x M8x45mm Bolts (**L**), M5 Allen Key (**O**), 6x Nuts (**K**) and 1x Spanner (**P**).



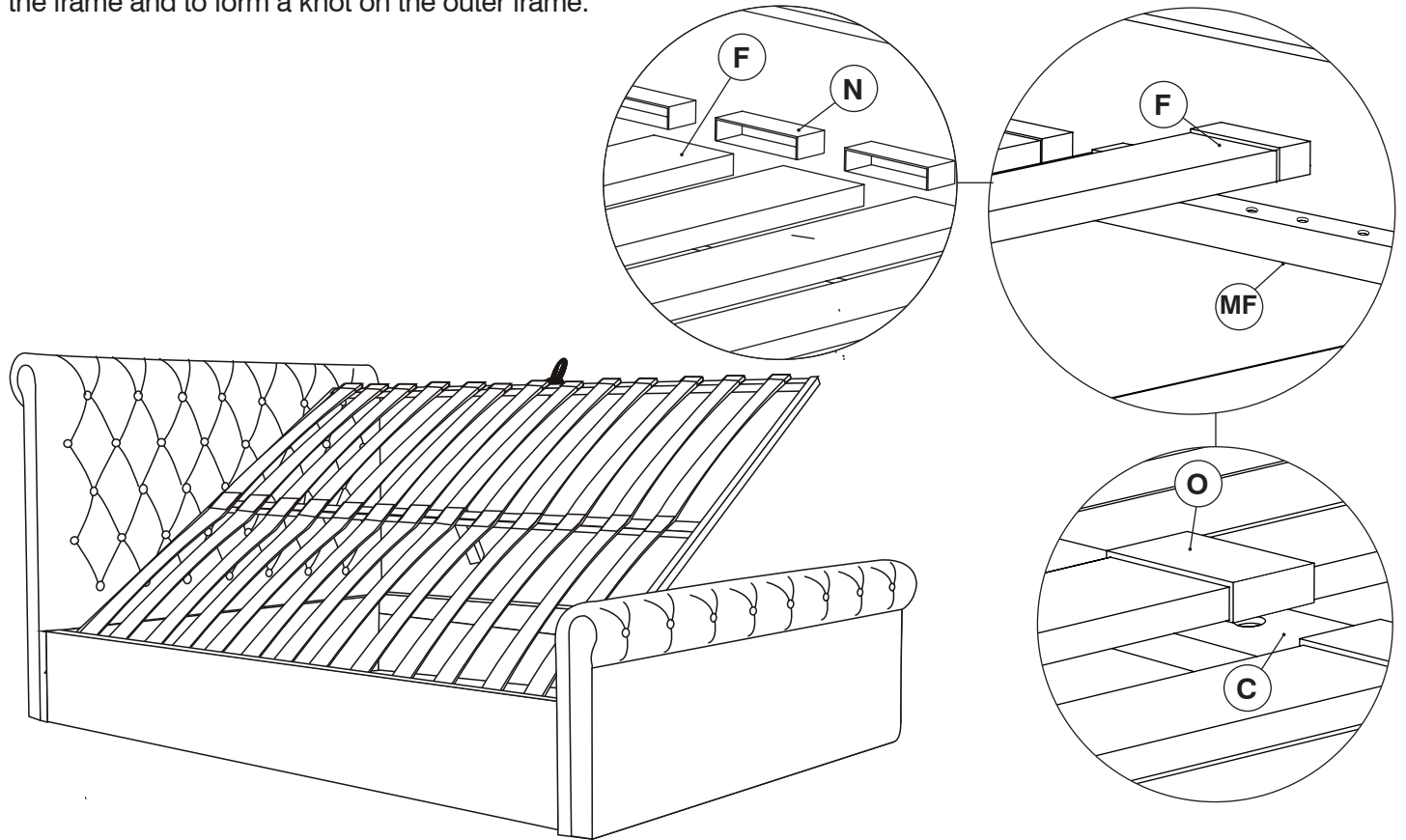
Step 7

Attach the Metal Frame (**MF**) to the 2x Hydraulic Part (**E**) using 6x M8x45mm Bolts (**L**), M5 Allen Key (**O**), 6x Nuts (**K**) and 1x Spanner (**P**). Then attach the 2x Cross Support Bar (**X**) to the Left and Right Frame Rail (**D**) using 4x M8x65mm Bolts (**A1**), M5 Allen Key (**O**), 4x Nuts (**K**) and 1x Spanner (**P**).



Step 8

Slot each Slat Cap (Q) on to the end of each Slat (H). Then slot each Slat (H) into each Centre Slat Cap (R) Press firmly into each Metal Rail located on the Metal Frame (MF) and then into the Centre Support Rail (C). Finally, attach Pull Strap () to the Left or Right Frame Rail () by placing beneath the Metal Frame (MF) and pulling through the inside of the frame and to form a knot on the outer frame.



Step 9

Turn the bed frame over on to its side and attach the Woven Fabric (V) to the base of the bed frame as shown below.

