



# Birlea

Suppliers of inspiration

## Assembly Instructions

Thank you for  
purchasing a  
**Birlea** product.

For a chance to win a Love 2 Shop voucher simply post a picture of your new product on your preferred social channels tagging Birlea Furniture and using the hashtag **#ShareYourStyle** and **#Birlea**. One winner will be selected at random each month.

To view our full terms and conditions please visit [www.birlea.com](http://www.birlea.com)

### Are you happy with your purchase?

**Yes:** That's great, we would love to hear more from you. Please leave us a review on our social media channels or Trustpilot. Your feedback will be greatly appreciated.

**No:** If for any reason there is something missing, indifferent or incorrect with your order, please contact the retailer you purchased the item from. We will work with the retailer to resolve your issue as quickly as possible.



# LANCASTER-King

## Assembly Instructions

### Before you begin...

1. Please check in your desired room of use.
2. Unpack all boxes and lay out each component on the floor.
3. Check your product for any damage that may be immediately obvious. If damage is identified, please contact your retailer.
4. Please read through these instructions thoroughly to ensure you have constructed your bed correctly.

### For Care and Maintenance of your bed...

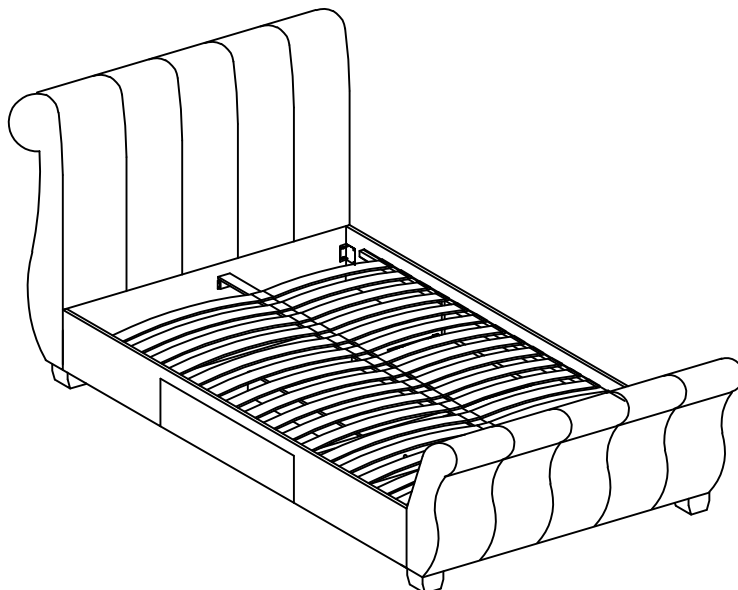
- Always assemble in your desired room of use.
- Always check all screw and fixings periodically to ensure they are still secure.
- Do not push or pull this bed as it will cause damage.
- Always lift this bed with a second person to prevent damage or injury.
- Keep any sharp objects away from this bed frame.

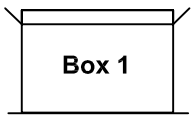
### For your Health and Safety...

- Please don't not jump on this bed.
- Do not use this bed if you find missing, damaged or worn parts. Please contact your retailer.
- Please do not use this bed until you have fully secure all fixings.
- Please keep all small components away from children.
- Please ensure this bed is on an even, level surface.

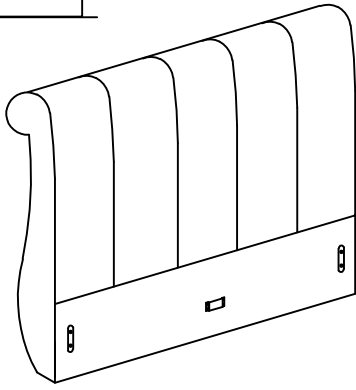
### Also...

If your desired room of choice has a non-carpeted surface ensure please that you use some form of anti-slip protection and **do not** place directly on the wooden floor. This will prevent the bed from moving and therefore collapsing which will void your guarantee...

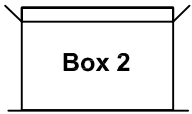




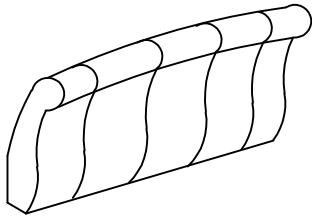
Box 1



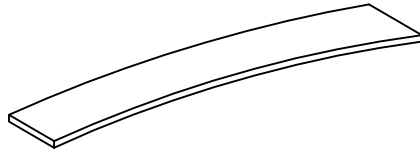
1.Headboard (x1)



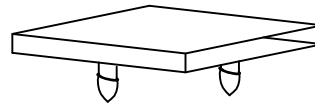
Box 2



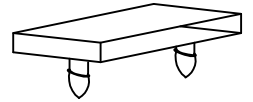
2.Footboard (x1)



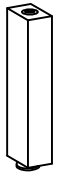
4.Slats (x28)



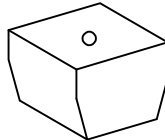
5.Double Slat Cap (x14)



6.Single Slat Cap (x28)



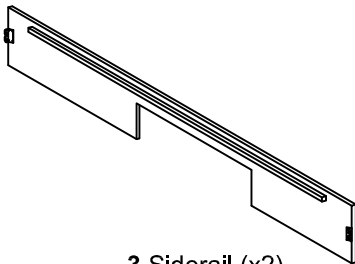
8.Support Legs (x3)



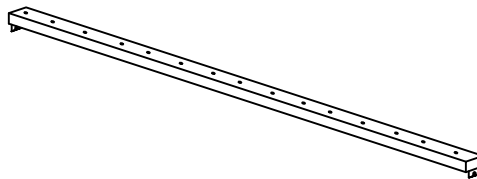
19.Legs (x4)



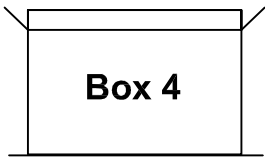
Box 3



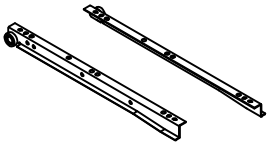
3.Siderail (x2)



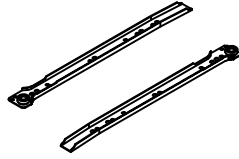
7.Centre Rail (x1)



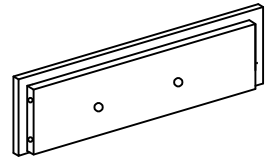
**Box 4**



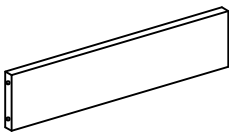
**9. Drawer Runner Pack 1**  
(x4)



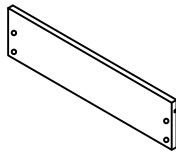
**10. Drawer Runner Pack 2**  
(x4)



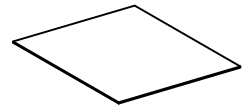
**11. Drawer Front Panel**  
(x2)



**12. Drawer Back Panel**  
(x2)



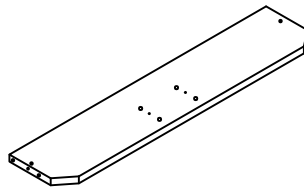
**13. Drawer Side Panel**  
(x4)



**14. Drawer Bottom Panel**  
(x2)



**15. Drawer Support** (x4)



**16. Drawer Holder Side Panel**  
(x2)



**17. Drawer Center Frame** (x2)

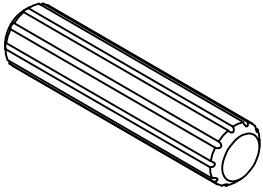


**18. Drawer Frame Support**  
(x2)

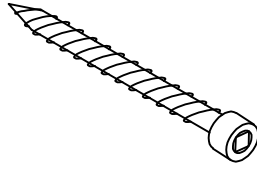


**Hardware**

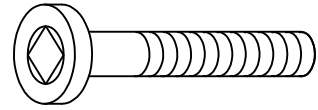
All fitting are stored within Box 4



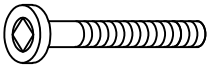
**A. Plastic Dowel ( 8 x 25 )  
(x20)**



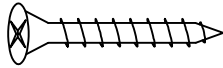
**B. M6 x 40 mm JCBC W  
(x8)**



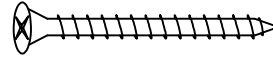
**C. M6 x 40 mm JCBC  
(x3)**



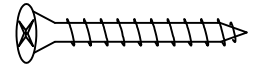
**D. M6 x 50 mm JCBC  
(x4)**



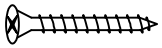
**E. M3.5 x 16 mm CSK  
(x24+1)**



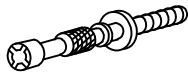
**F. M4 x 50 mm CSK  
(x16)**



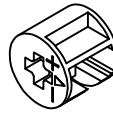
**G. M4 x 25 mm CSK  
(x2)**



**H. M4 x 32 mm CSK (x8)**



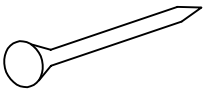
**I. Mini Fix Bolt  
(x4)**



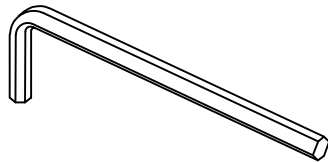
**J. Mini fix Housing  
(x4)**



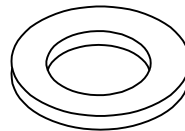
**K. Mini Fix Cap  
(x4)**



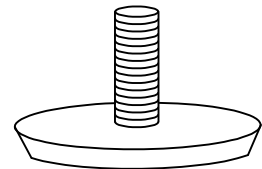
**L. Power Nail 6/8  
(x32)**



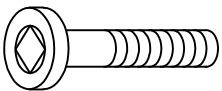
**M. Allen Key 100 mm  
(x1)**



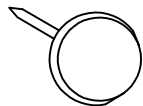
**N. M6 Flat Washer  
(x8)**



**O. Adjuster (x3)**



**P. M6 x 30 mm JCBC  
(x8)**

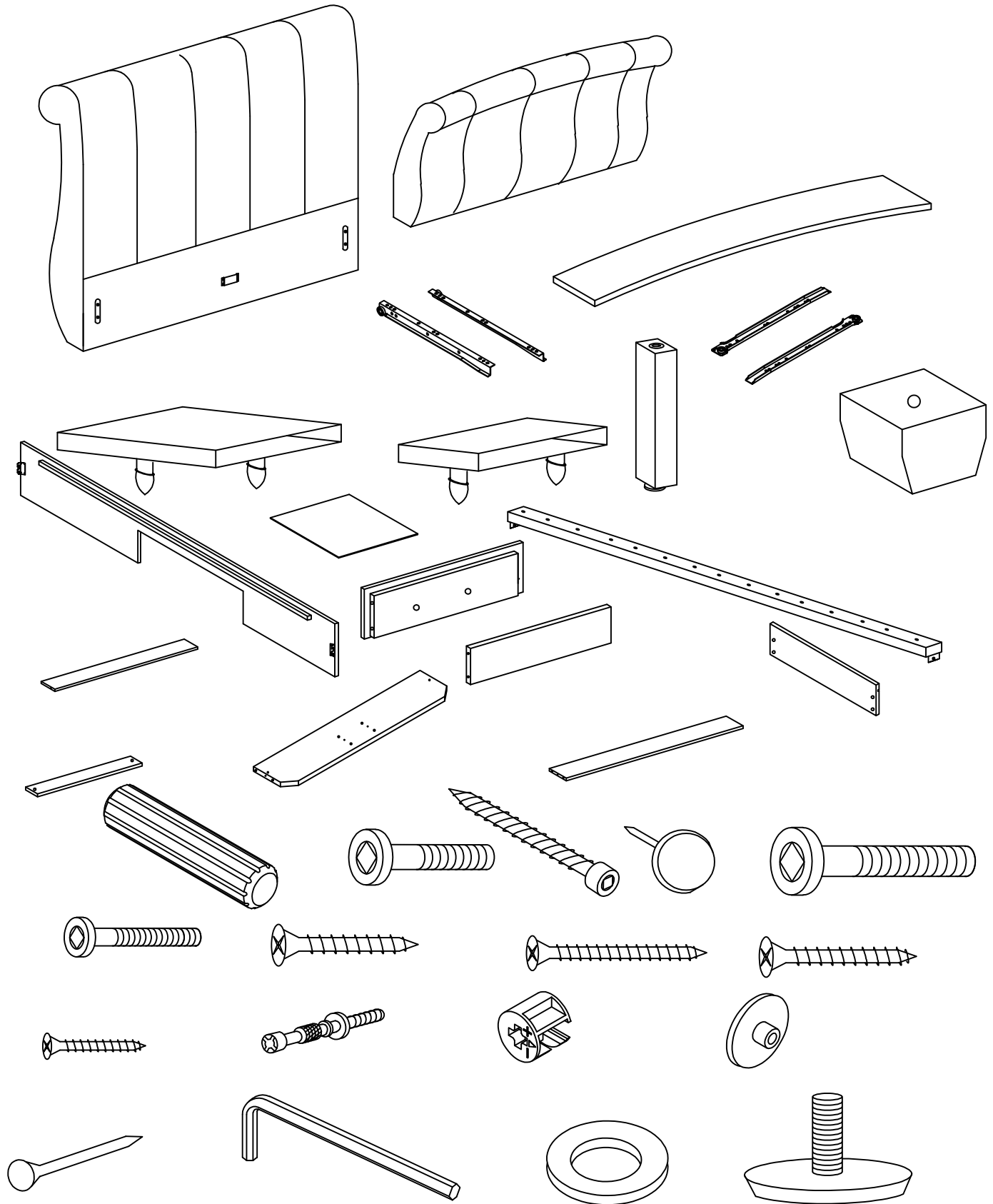


**Q. White Nail Leg  
(x10)**

**\*You will need a screwdriver (not provided)**

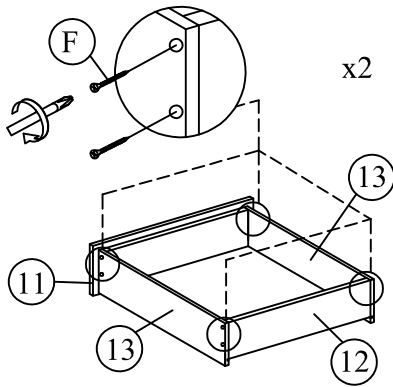
# Step 1

Unpack all components from the boxes and check you are not missing anything. Please check these against the list on page 3,4 & 5 and should you identify any missing components, please contact the retailer you purchased the bed from.



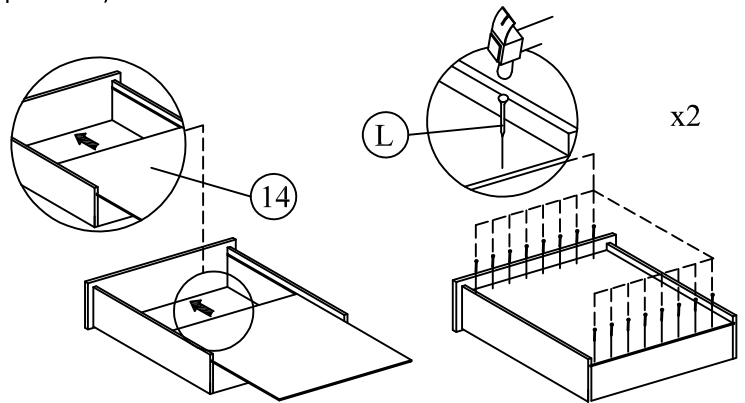
### Step 2

Join together the 1x Drawer Front Panel (11), 1x Drawer Back Panel (12) and 2x Drawer Side Panel (13) using hardware 8x M4 x 50 mm CSK (F) and screwdriver (not provided). Repeat for the remaining drawer.



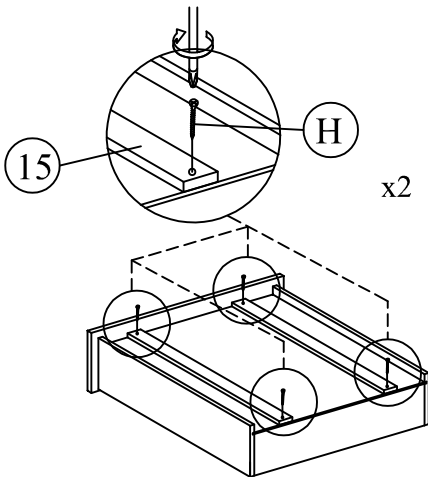
### Step 3

Slide the 1x Drawer Bottom Panel (14) into position on all Two drawer. Secure with hardware 16x Power Nail (L) and small mallet (not provided).



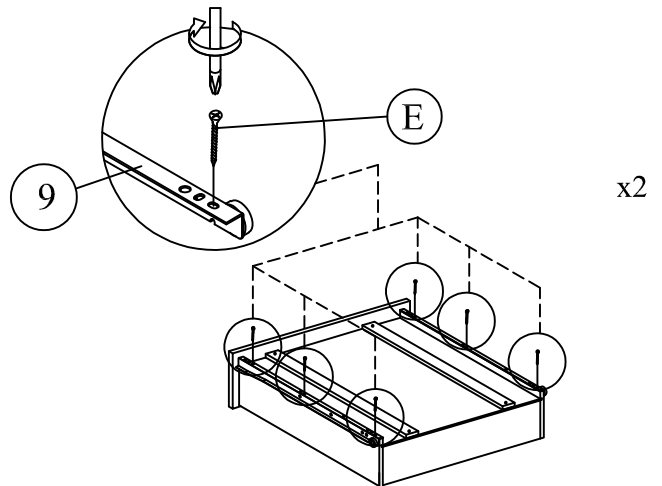
### Step 4

Secure the 2x Drawer Support (15) using hardware 4x M4 x 25mm CSK (H) and screwdriver (not provided).



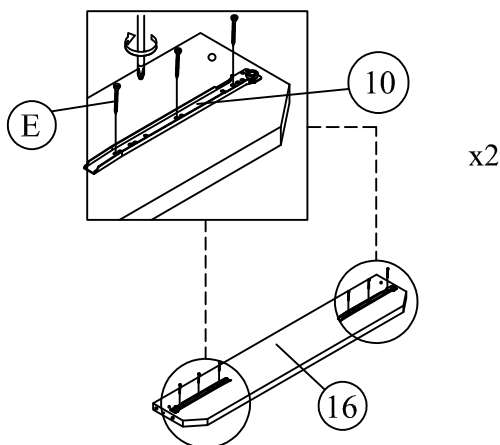
### Step 5

Attach the 2x Drawer Runner From Pack 1 (9) using hardware 6x M3.5 x 16 mm CSK (E) and screwdriver (not provided).



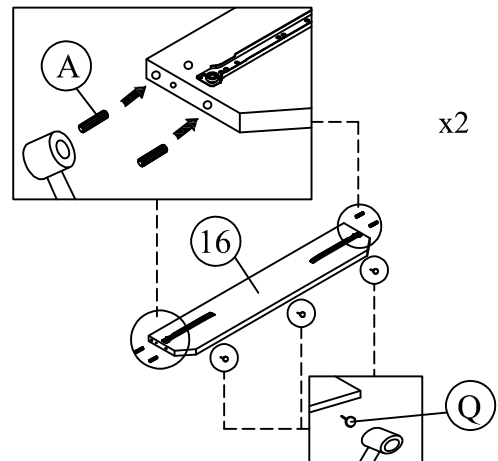
### Step 6

Attach the 2x Drawer Runner From Pack 2 (10) to the 1x Drawer Holder Side Panel (16) using hardware 6x M3.5 x 16 mm CSK (E) and screwdriver (not provided).



### Step 7

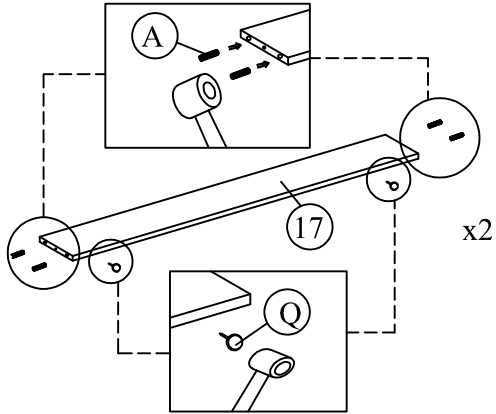
Insert hardware 4x Plastic Dowel (A) and 3x White Nail Leg (Q) to the Drawer Holder Side Panel (16) using a small mallet (not provided).



**DO NOT use any power tools as this may damage the frame and will invalidate any claim.**

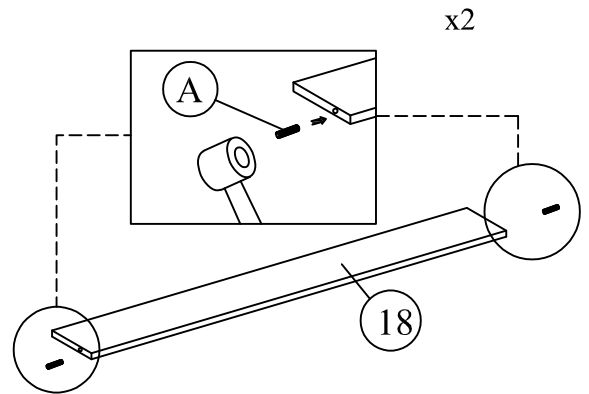
### Step 8

Insert hardware 8x Plastic Dowel (A) and 2x White Nail Leg (Q) to the 1x Drawer Center Frame (17) using a small mallet (not provided).



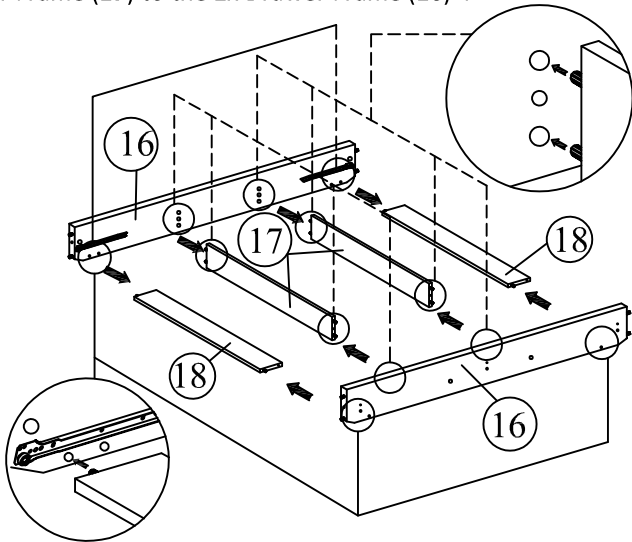
### Step 9

Insert hardware 2x Plastic Dowel (A) to the 1x Drawer Frame Support (18) using a small mallet (not provided).



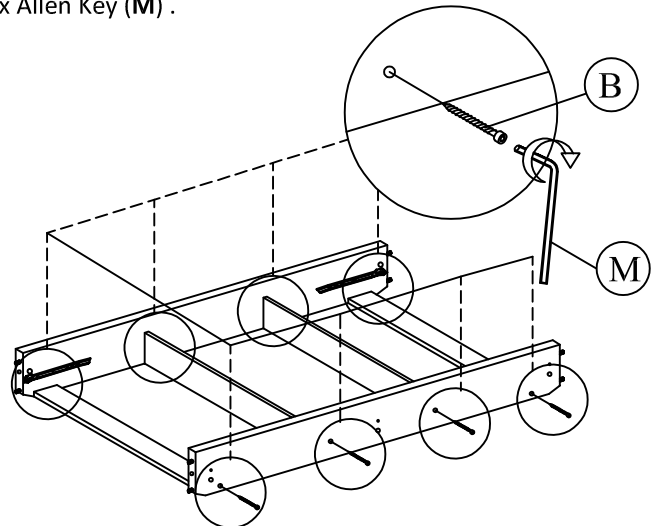
### Step 10

Join together the 2x Drawer Frame Support (18) and 2x Drawer Center Frame (17) to the 2x Drawer Frame (16).



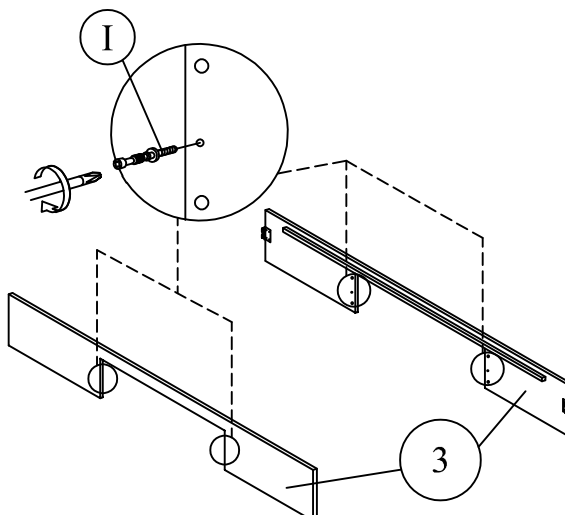
### Step 11

Secure the frame using hardware 8x M6 x 40 mm JCBC W (B) and 1x Allen Key (M).



### Step 12

Insert hardware 4x Mini Fix Bolt (I) to the 2x Side Rails (3) using a screwdriver (not provided).

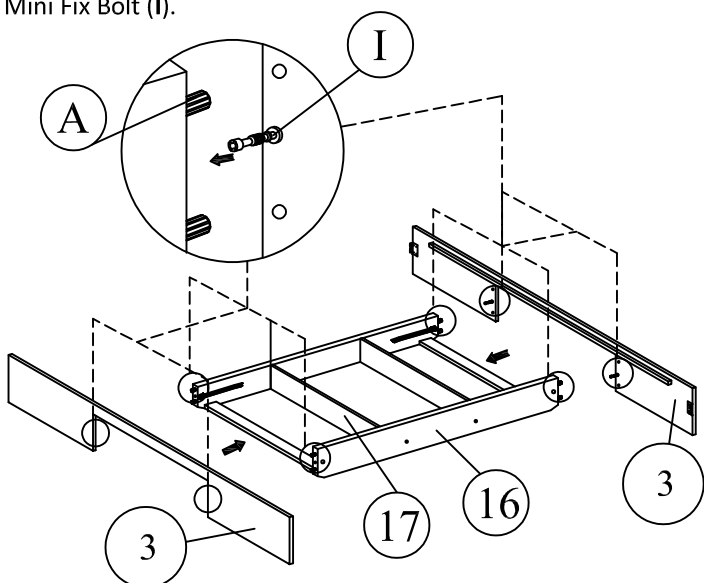


**DO NOT use any power tools as this may damage the frame and will invalidate any claim.**



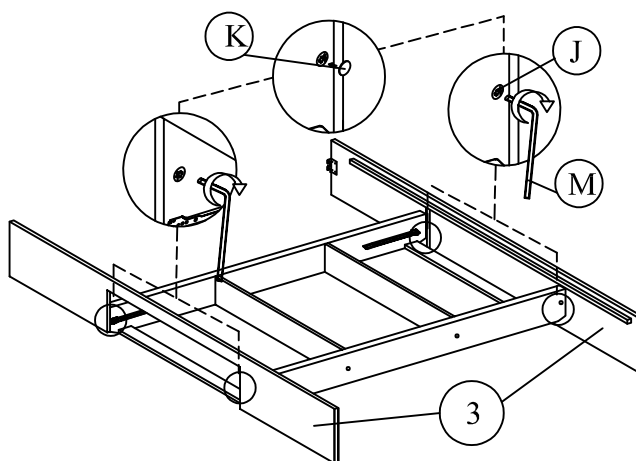
### Step 13

Secure the frame using hardware 8x Plastic Dowel (A) and 4x Mini Fix Bolt (I).



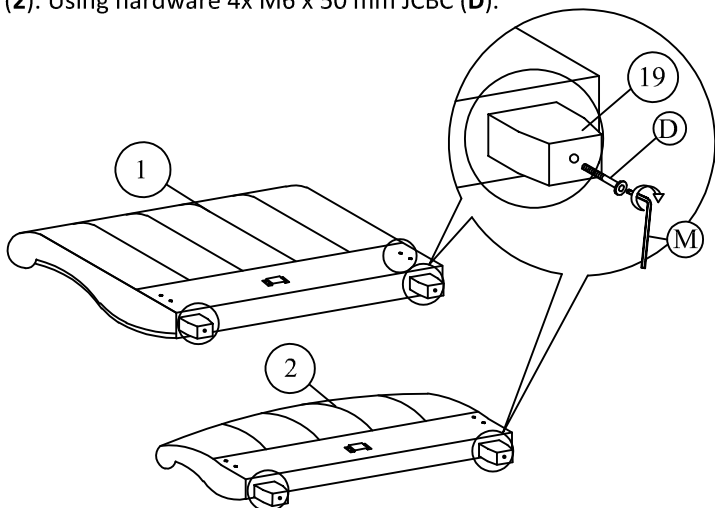
### Step 14

Secure the frame using hardware 4x Mini fix Housing (J), 4x Mini Fix Cap (K) and 1x Allen Key (M).



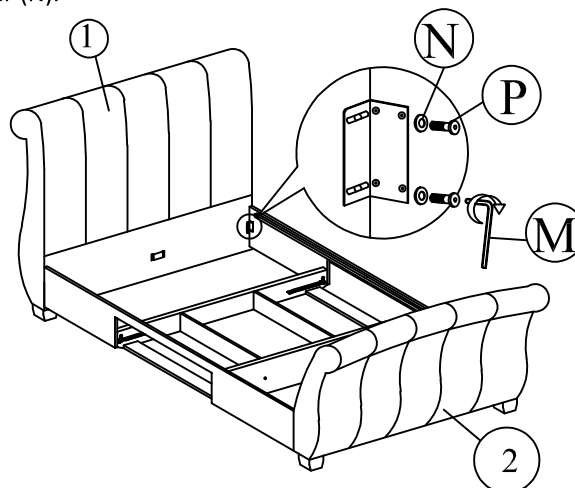
### Step 15

Attach the 4x Legs (19) with 1x Headboard (1) and 1x Footboard (2). Using hardware 4x M6 x 50 mm JCBC (D).



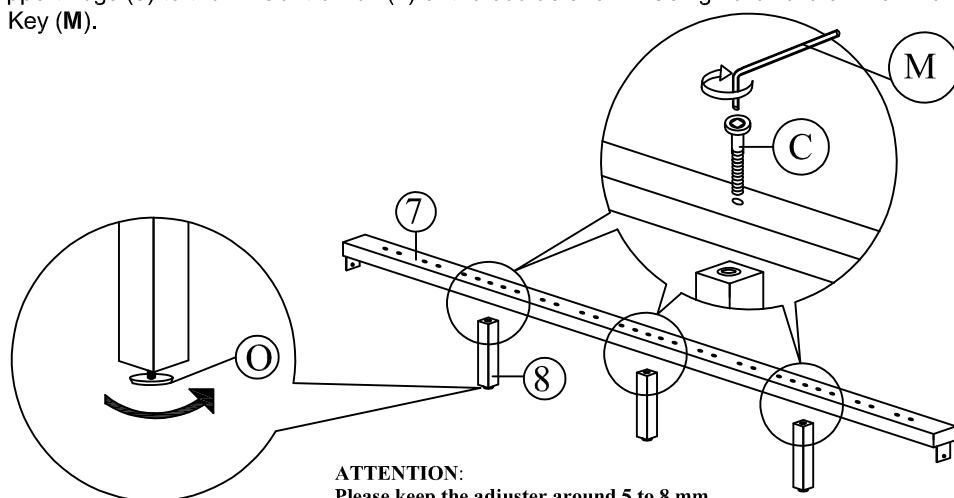
### Step 16

Attach the 1x headboard (1) and 1x Footboard (2) to the 2x Siderail (3) using 8 x M6 x 30 mm JCBS (P) and 8x M6 Flat Washer (N).



### Step 17

Attach the 3x Support Legs (8) to the 1x Centre Rail (7) of the bed as shown. Using hardware 3x M6 x 40 mm JCBC (C) and 1x Allen Key (M).

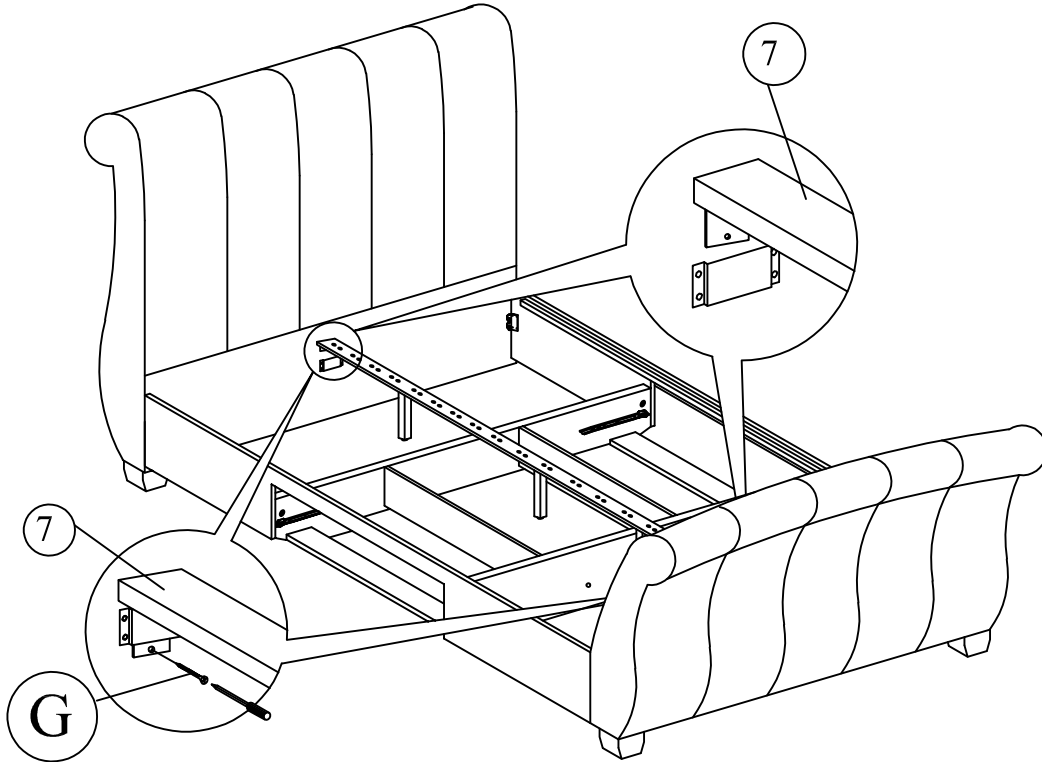


**ATTENTION:**  
Please keep the adjuster around 5 to 8 mm distant away from the floor.

**DO NOT use any power tools as this may damage the frame and will invalidate any claim.**

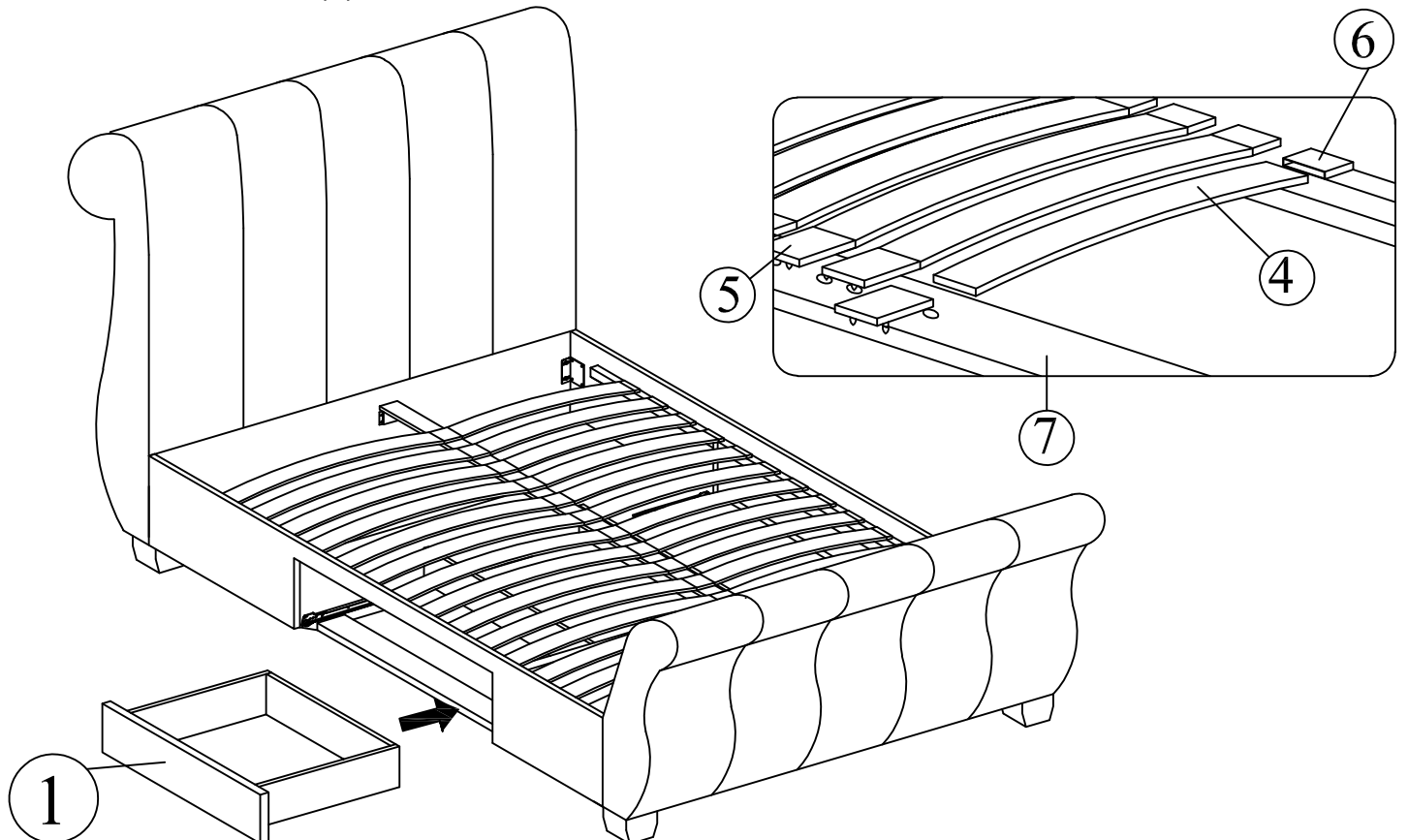
## Step 18

Place the 1x Centre Rail (7) into the assembled frame and secure to the 1x Headboard (1) using hardware 2x M4 x 25 mm CSK (G) and a screwdriver (not provided).



## Step 19

Tighten all the 4 corner, Slot the 28x Slats (4) to the bracket on 28x Single Slat Cap (6) and then into 14x Centre Slat Caps (5). Insert the drawer as shown.



**DO NOT use any power tools as this may damage the frame and will invalidate any claim.**