

Birlea®

Assembly Instructions

Thank you for
purchasing a
Birlea product.

For a chance to win a Love 2 Shop voucher simply post a picture of your new product on your preferred social channels tagging Birlea Furniture and using the hashtag **#ShareYourStyle** and **#Birlea**. One winner will be selected at random each month.

To view our full terms and conditions please visit www.birlea.com

Are you happy with your purchase?

Yes: That's great, we would love to hear more from you. Please leave us a review on our social media channels or Trustpilot. Your feedback will be greatly appreciated

No: If for any reason there is something missing, indifferent or incorrect with your order, please contact the retailer you purchased the item from. We will work with the retailer to resolve your issue as quickly as possible.



Quebec Bed - King

Assembly Instructions

Before you begin...

1. Please check you have received the correct product.
2. Unpack all boxes and lay out each component on the floor.
3. Check your product for any damage that may be immediately obvious. If damage is identified, please contact your retailer.
4. Please read through these instructions thoroughly to ensure you have constructed your bed correctly.

For Care and Maintenance of your bed...

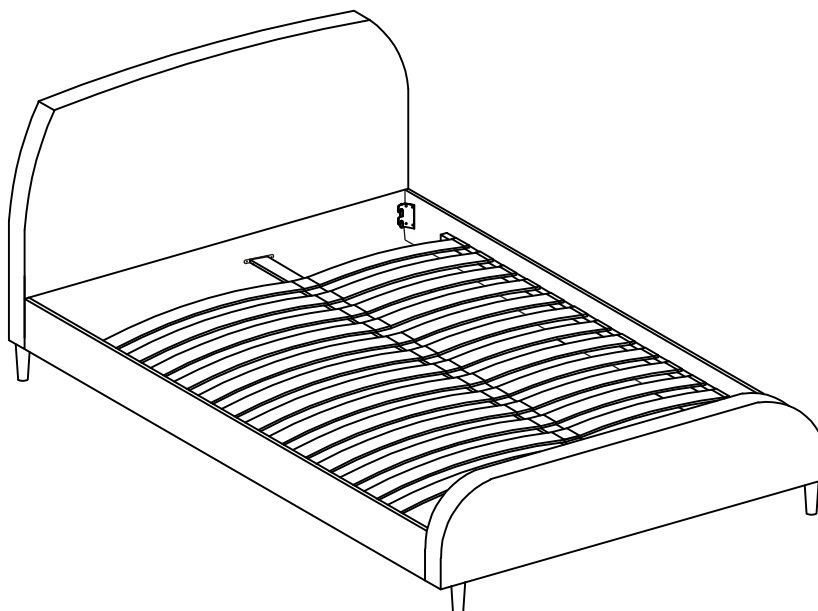
- Always assemble in your desired room of use.
- Always check all screws and fixings periodically to ensure they are still secure.
- Do not push or pull this bed as it will cause damage.
- Always lift this bed with a second person to prevent damage or injury.
- Keep any sharp objects away from this bed Frame.

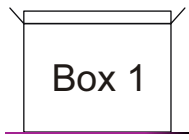
For your Health and Safety...

- Please don't not jump on this Bed.
- Do not use this bed if you find missing, damaged or worn parts. Please contact your retailer.
- Please do not use this bed until you have fully secured all fixings.
- Please keep all small components away from children.
- Please ensure this bed is on an even, level surface.

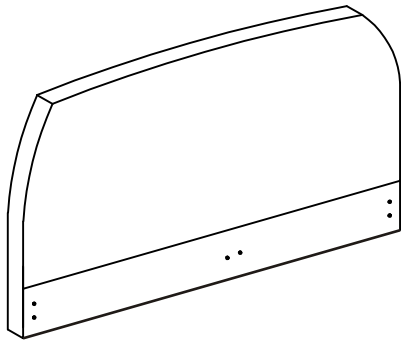
Also...

If your desired room of choice has a non-carpeted surface please ensure that you use some form of anti-slip protection and do not place directly on the wooden floor. This will prevent the bed from moving and therefore collapsing which will void your guarantee..

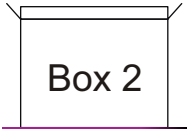




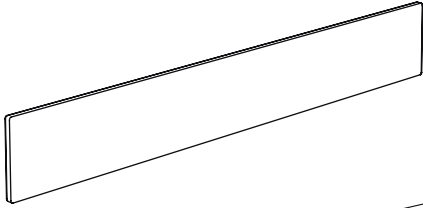
Box 1



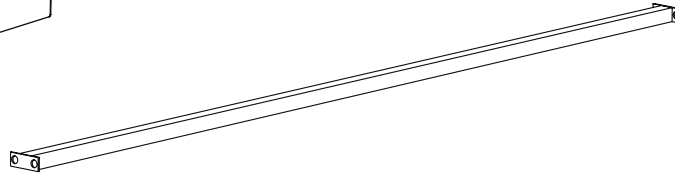
A. Headboard (x1)



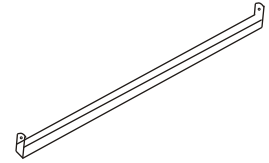
Box 2



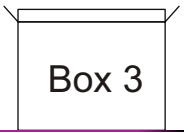
B. Side Rails (x2)



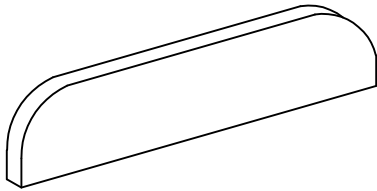
C. Centre Support Rail (x1)



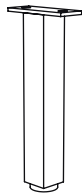
R. Bed Cross Bar(x1)



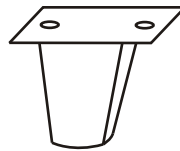
Box 3



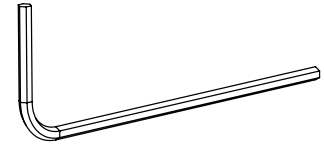
D. Footboard (x1)



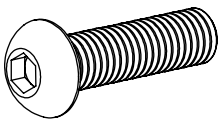
E. Support Leg (x2)



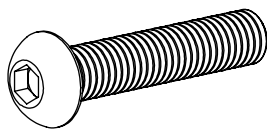
G. Legs (x4)



S. M4 Allen Key (x1)



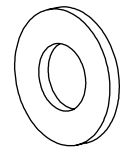
H. M8x30mm Bolts (x20)



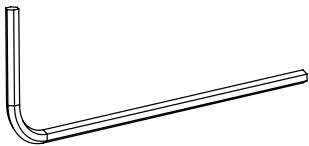
P. M8x40mm Bolts (x4)



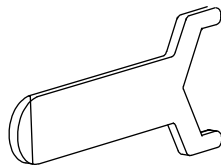
Q. M6x16mm Bolts (x2)



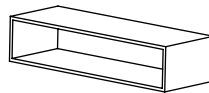
J. Flat Washer (x8)



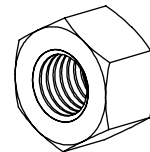
L. M5 Allen Key (x1)



M. Spanner (x1)



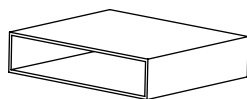
N. Slat Caps (x28)



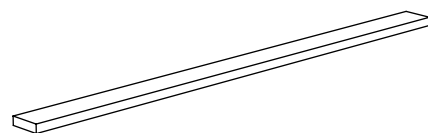
I. Nuts (x4)



K. Spring Washer (x8)



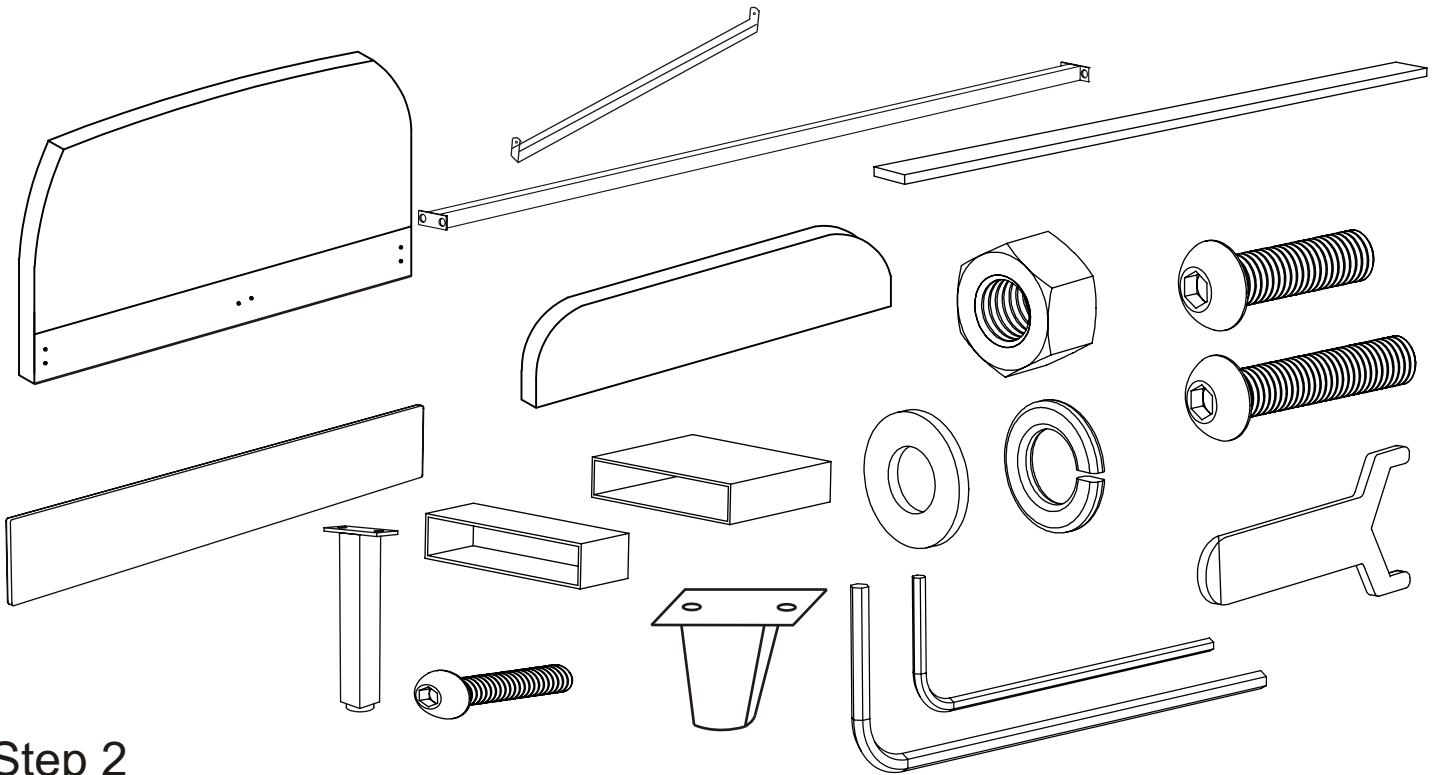
O. Centre Slat Caps (x14)



F. Slats (x28)

Step 1

Unpack all components from the boxes and check you are not missing anything. Please check these against the list on Page 3. Should you identify any missing components, please contact the retailer you purchased the bed from.

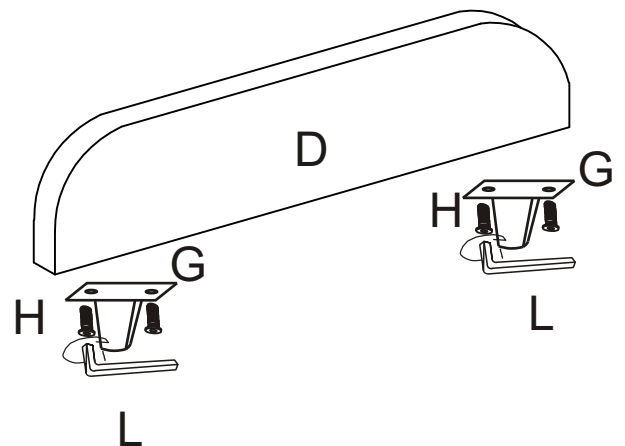
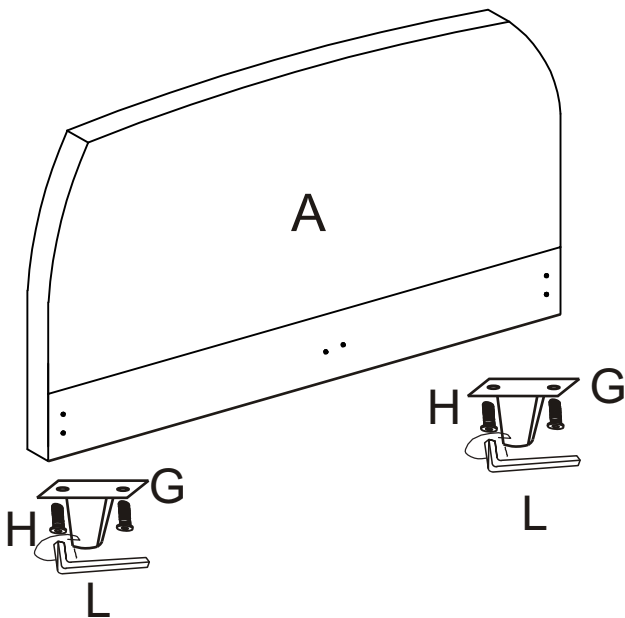


Step 2

Attach 2x Legs (G) To the 1x Headboard(A) and then attach 2x Legs (G) To the 1x Footboard(D). You will need to use hardware parts 8 x M8x30mm(H) and M5 Allen(L).

Please do not use any power tools for this assembly as it will void your guarantee.

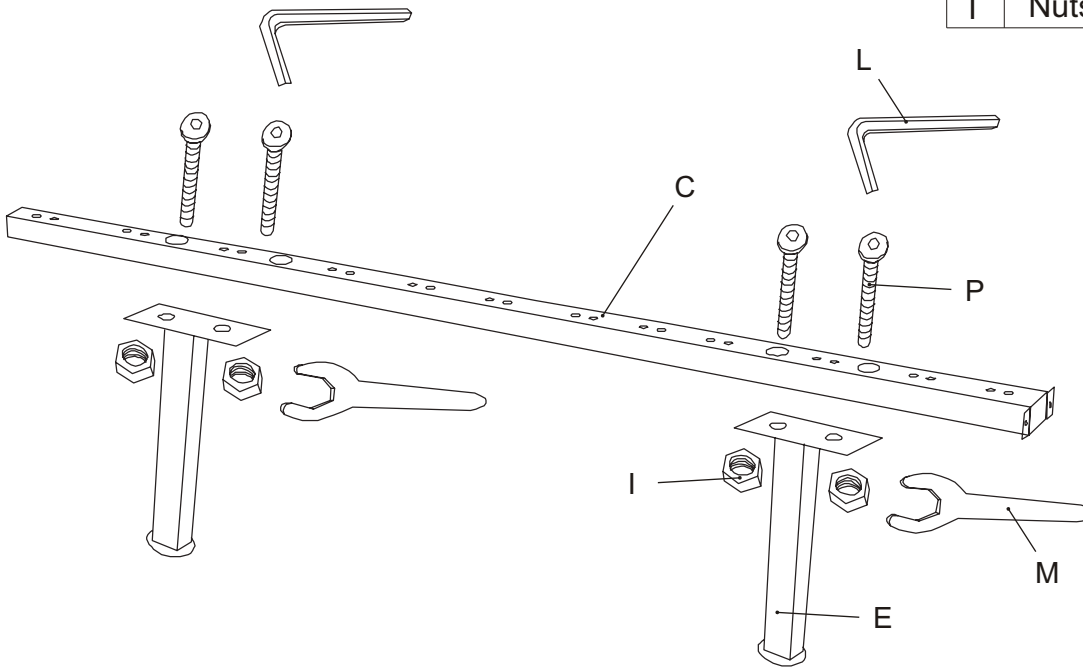
H	M8x30mm(x8)
L	M5 Allen key



Step 3

Next, attach 2x Support Leg (E) to 1x Centre Support Rail (C) using 4x M8x40mm Bolts (P), Allen Key (L), 4x Nuts (I) and Spanner (M).

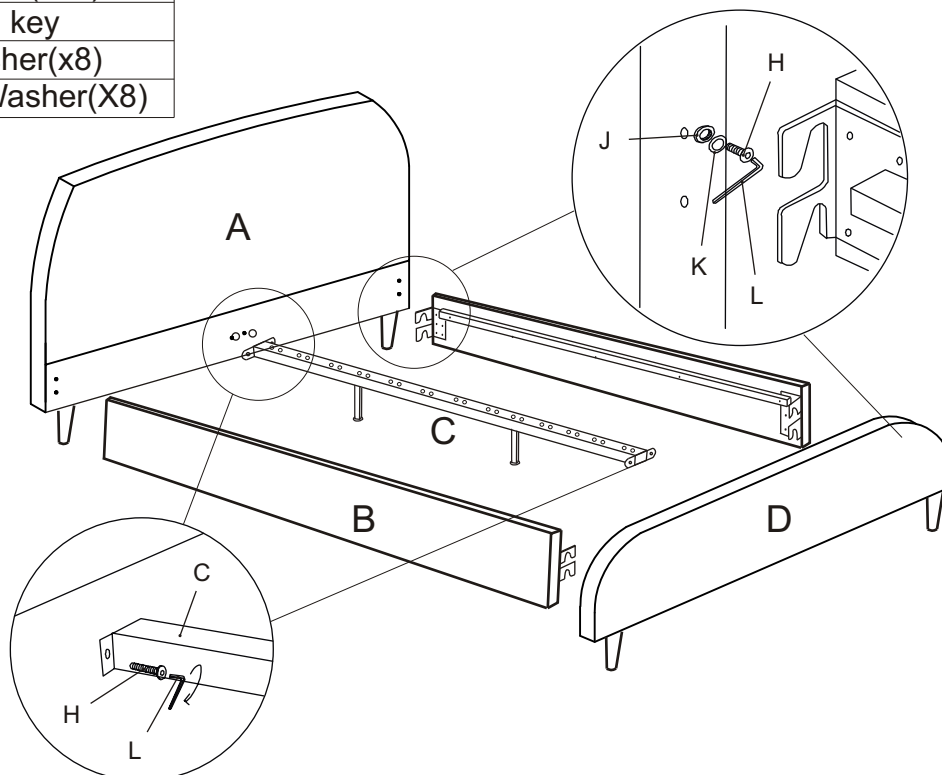
P	M8x40mm(x4)
L	M5 Allen key
M	Spanner
I	Nuts(x4)



Step 4

Attach 2 x Side rails (B) to 1 x Headboard (A) and 1 x Footboard (D) using 8 x M8x30mm Bolt (H), 8 x Spring Washer (K), 8 x Flat Washer (J) and 1 x M5 Allen Key (L). Then attach 1 x Centre Support Rail (C) to 1 x Headboard (A) and 1 x Footboard (D) using 4 x M8x30mm Bolt (H) and 1 x M5 Allen Key (L).

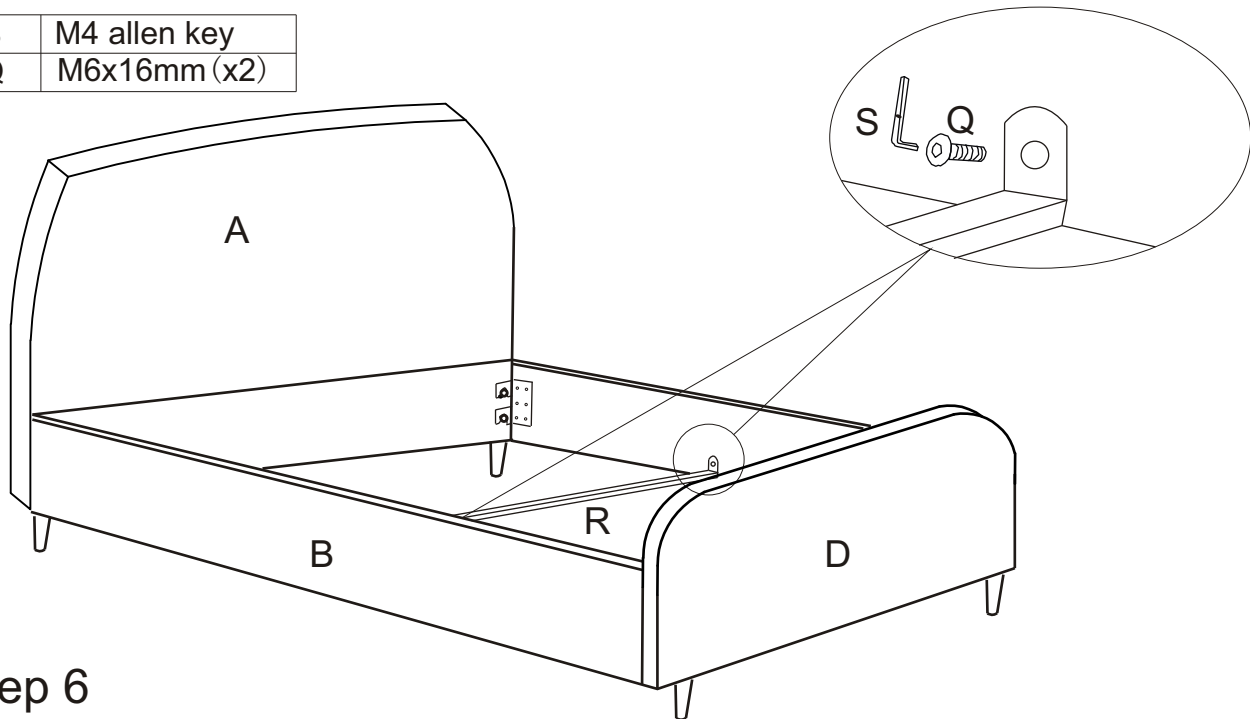
H	M8x30mm(x12)
L	M5 Allen key
J	Flat Washer(x8)
K	Spring Washer(X8)



Step 5

To fix the cross bar(R)to the side rails(B)you will need to use 2 x M6x16mm(Q) With M4 allen key(S).

S	M4 allen key
Q	M6x16mm (x2)



Step 6

Slot each Slat Cap (N) onto the end of each Slat (F), then slot each Slat (F) into each Centre Slat Cap (O). Press firmly into each slat rail located on the inside of the side rails (B) and then into the Centre Support Rail (C).

N	Slat Cap (x28)
O	Centre Slat Cap (x14)

