

Birlea®

Assembly Instructions

Thank you for purchasing a Birlea product.

For a chance to win a Love 2 Shop voucher simply post a picture of your new product on your preferred social channels tagging Birlea Furniture and using the hashtag #ShareYourStyle and #Birlea. One winner will be selected at random each month.

To view our full terms and conditions please visit our website. www.birlea.com

Are you happy with your purchase?

Yes: That's great, we would love to hear more from you. Please leave us a review on our social media channels or Trustpilot. Your feedback will be greatly appreciated.

No: If for any reason there is something missing, indifferent or incorrect with your order, please contact the retailer you purchased the item from. We will work with the retailer to resolve your issue as quickly as possible.



www.birlea.com

Birlea®

Assembly Video

For a step by step guide on how to build our Enzo Gaming Table visit our YouTube channel 'BirleaFurnitureLtd' or alternatively scan the QR code on your smart phone.



How to scan a QR code from an apple device

Step One: Open up the camera app

Step Two: Hold the device's camera up to the QR code

Step Three: Your Apple device will automatically recognise the QR code and provide you with a link to the video.

How to scan a QR code from an android device

Step One: Download the QR Code reader application from the Play Store.

Step Two: Open the QR code application and open the camera.

Step Three: Your Android device will automatically recognise the QR code and provide you with a link to the video.

How to scan a QR code from a Window's device

Step One: Open up the camera app

Step Two: Hold the device's camera up to the QR code

Step Three: Your Window device will automatically recognise the QR code and provide you with a link to the video.

Please ensure that you device is up to date with the latest operating system.

ASSEMBLY INSTRUCTIONS **ENZO GAMING COMPUTER DESK**

IMPORTANT: READ THESE INSTRUCTIONS CAREFULLY BEFORE ASSEMBLING OR USING YOUR ENZO GAMING COMPUTER DESK

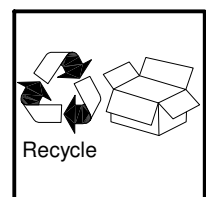
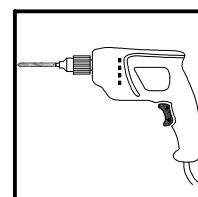
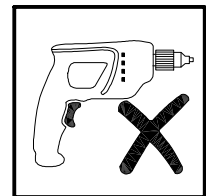
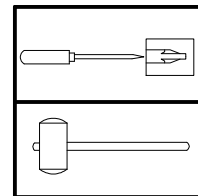
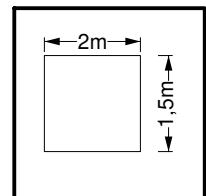
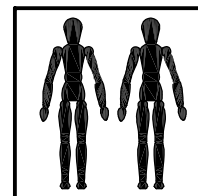
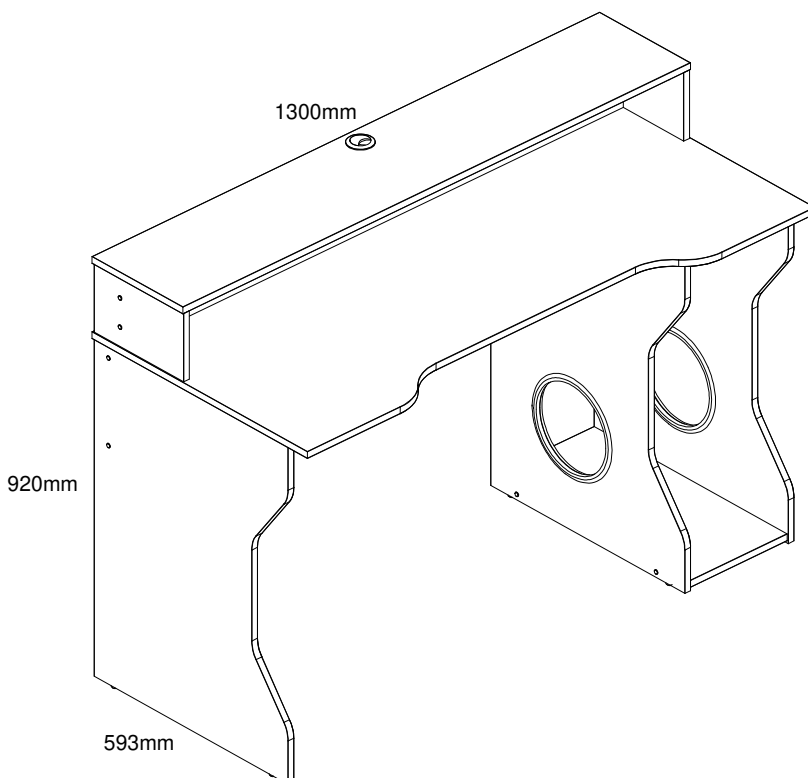
PLEASE KEEP THESE INSTRUCTIONS FOR FUTURE REFERENCE.

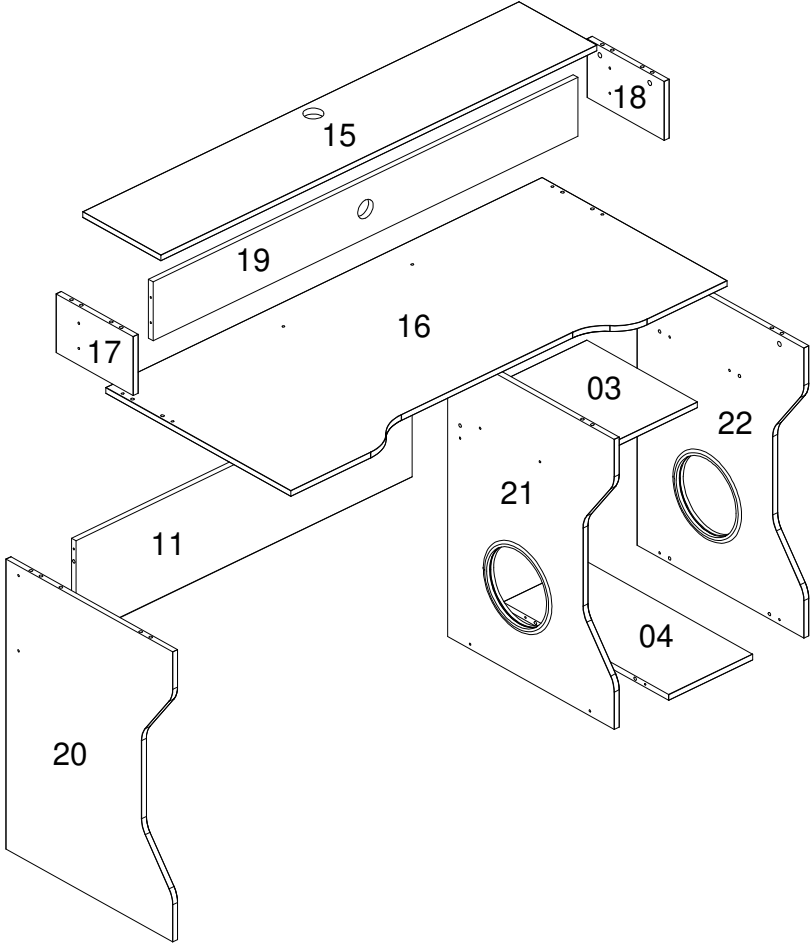
HEALTH & SAFETY:

DO NOT use this item if any parts are missing, damaged or worn.
DO NOT use this item unless all fixings are secured.
Please keep small parts out of reach of children
Always use on a level, even surface.

CARE & MAINTENANCE:



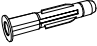
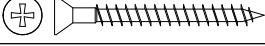
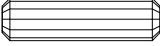
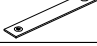
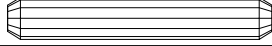
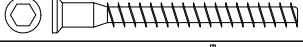





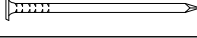
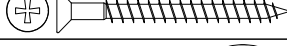


Assemble in the room of use
Assembly should be carried out with this item laying flat, not standing upright.
Assemble on a soft, clean surface to prevent damages.
To remove the printed numbers on the pieces, use the eraser provided
Periodically check all screws & fixings to ensure they are secure.
DO NOT push the item as this will damage the base.
Always lift the item with two people to reposition.
Keep any sharp objects away from the item.





Parts List			
Part	Description	Box	Qty
03	Shelf	1	1
04	Bottom Base	1	1
11	Lower Backboard	1	1
15	Top Base	1	1
16	Top	1	1
17	Upper Left Side	1	1
18	Upper Right Side	1	1
19	Top Backboard	1	1
20	Lower Left Side	1	1
21	Lower Division	1	1
22	Lower Right Side	1	1

Hardware List

Part	Description		Qty
A	5 x 60 mm Screw		1
A2	Small Plastic foot		6
B3	Bushing		1
D	4,0 x 40 mm Screw		2
E	8 x 30 mm Wooden Dowel		20
E9	Strap		1
F	8 x 50 mm Wooden Dowel		4
G	Structural Screw		16
H	Allen Key		1
I	Structural Screw Cover		16
J	Minifix Screw		10
L	Cam Lock		10
M	Adhesive Screw Head cover		8
N	10 x 10 mm Tack		6
O	4,5 x 45 mm Screw		4
P6	Cable Tidy Grommet		2
S	3,5 x 14 mm Screw		1

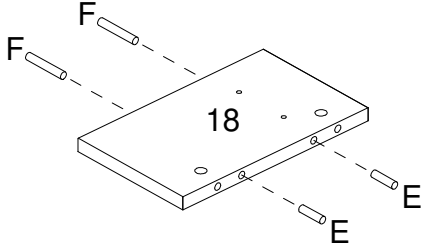
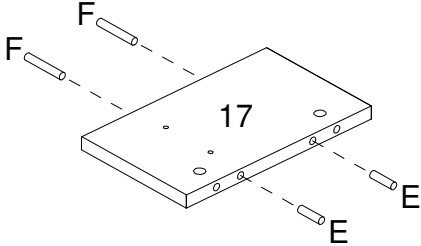
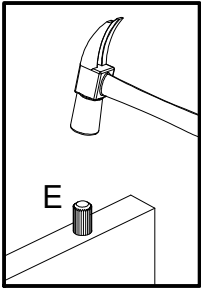
**** You will need a small mallet and a screwdriver for assembly.**

**** Some screws and wooden dowel may remain.**

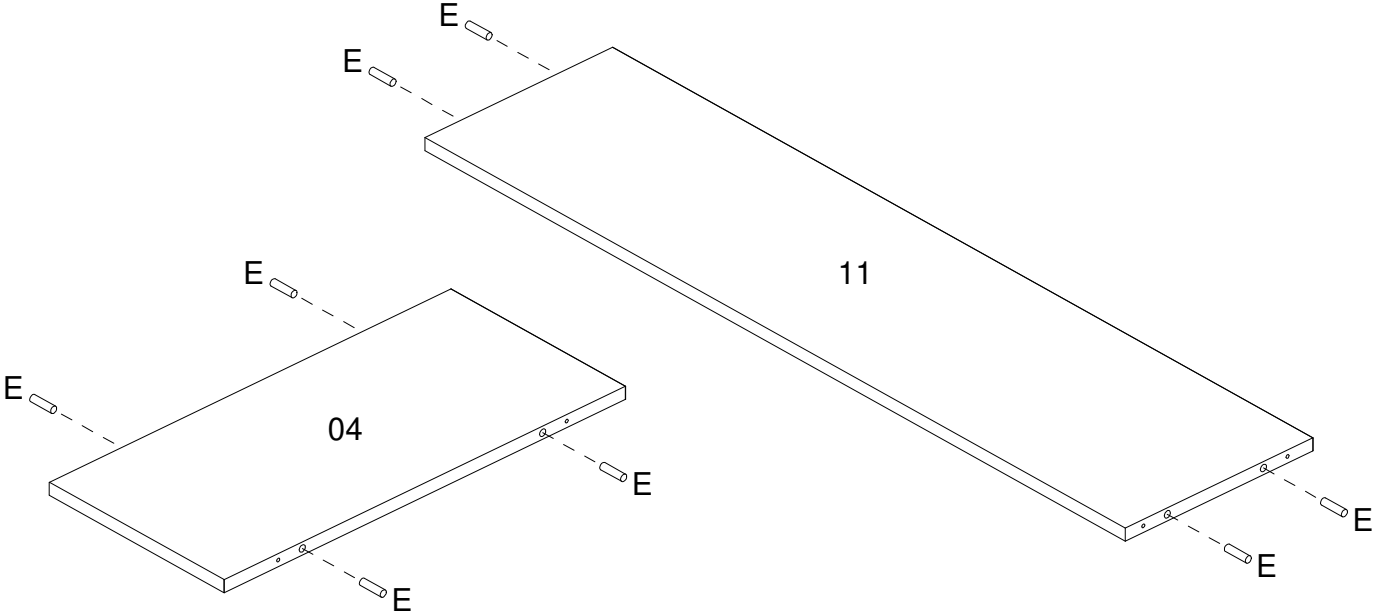
**** Wall plug and screw is supplied to attach strap to the wall.**



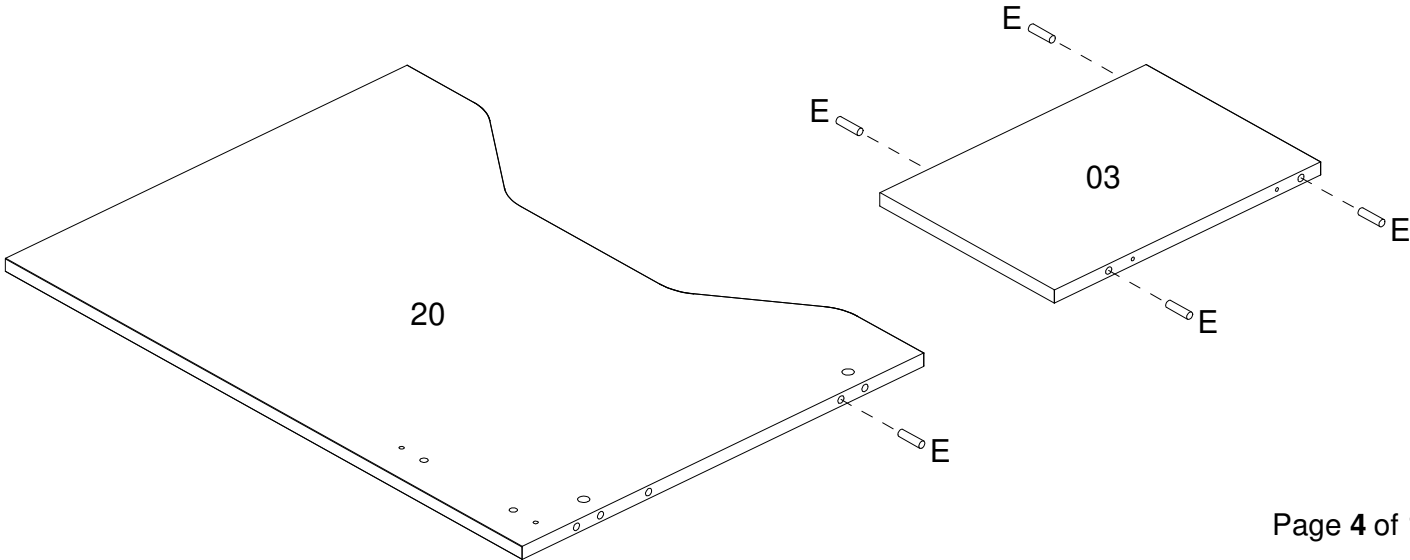
Step 1: Insert hardware parts E and F using small mallet (not provided).
DO NOT use any power tools as this may damage the frame and will invalidate any claim.



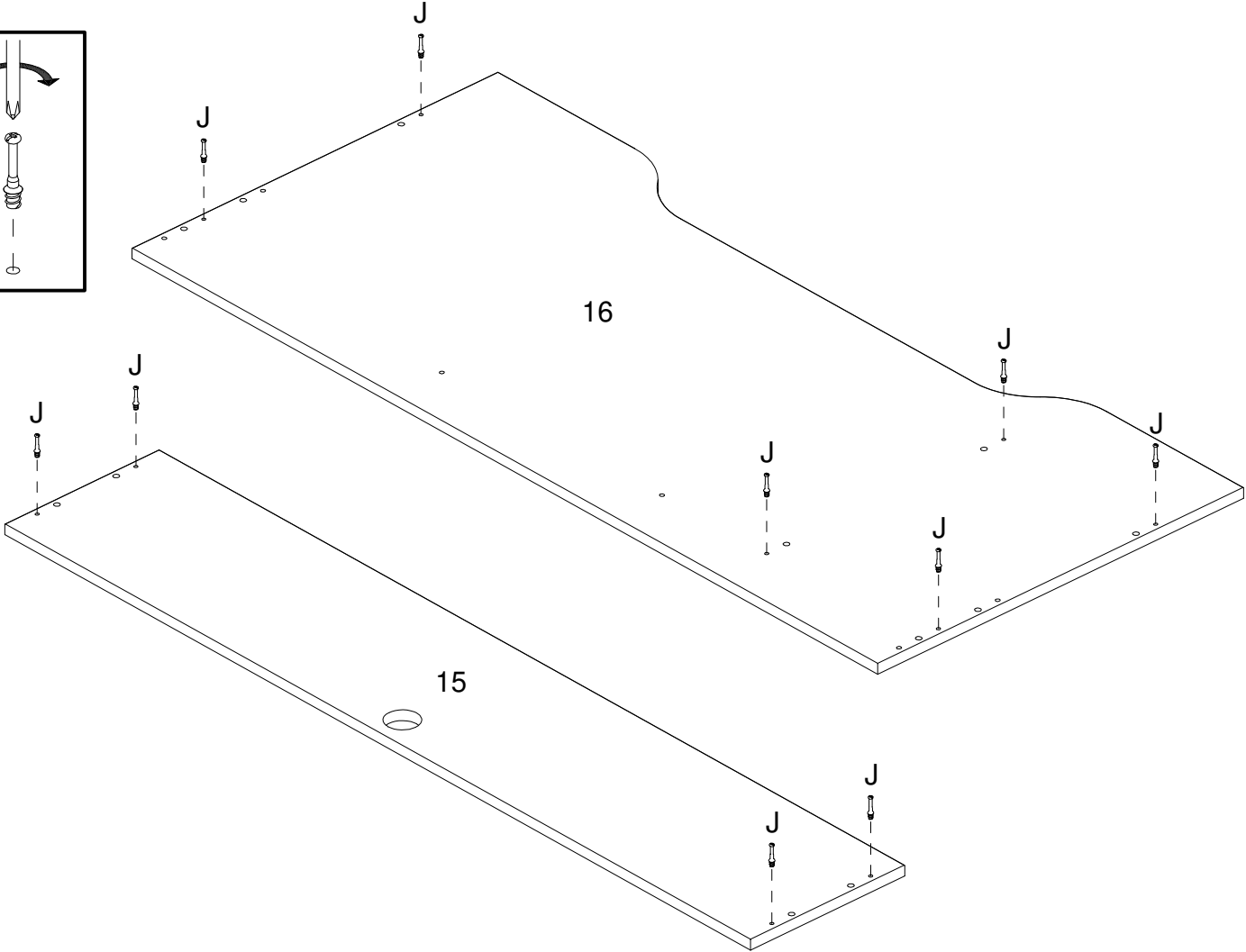
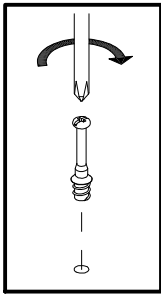
Step 2: Insert hardware part E using small mallet (not provided).
DO NOT use any power tools as this may damage the frame and will invalidate any claim.



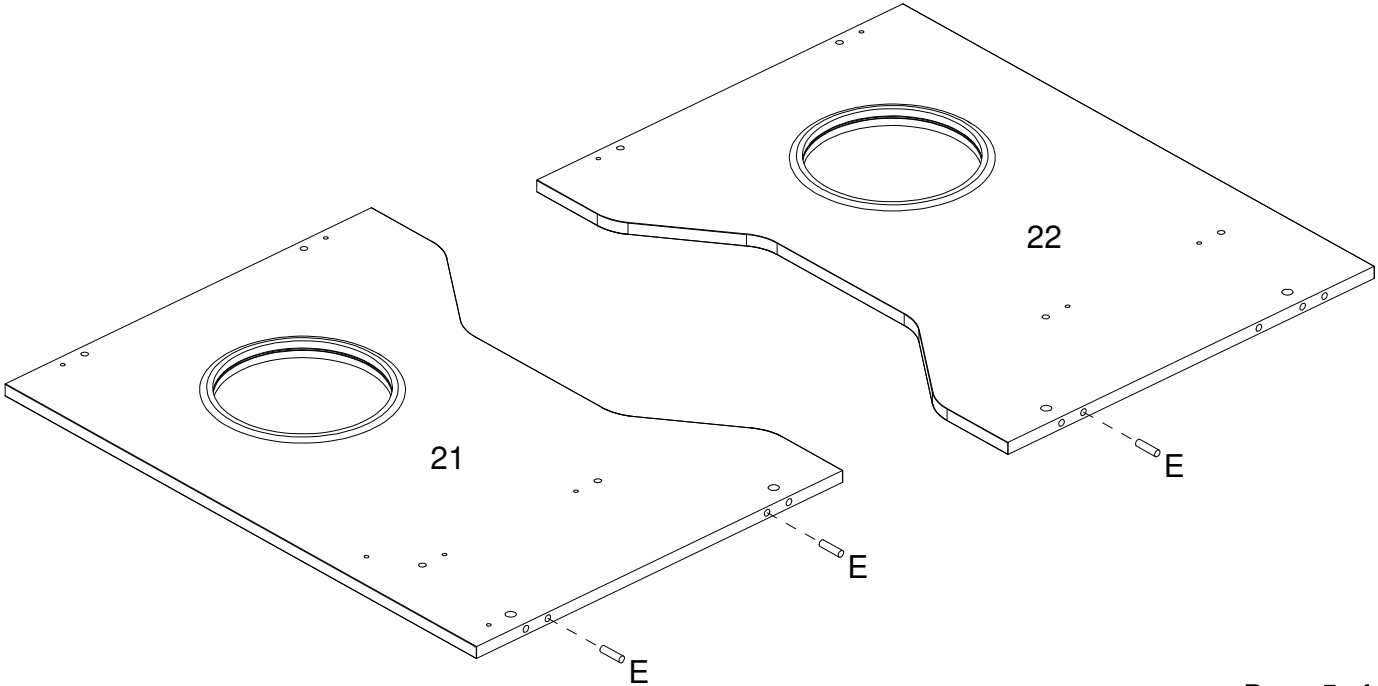
Step 3: Insert hardware part E using small mallet (not provided).
DO NOT use any power tools as this may damage the frame and will invalidate any claim.



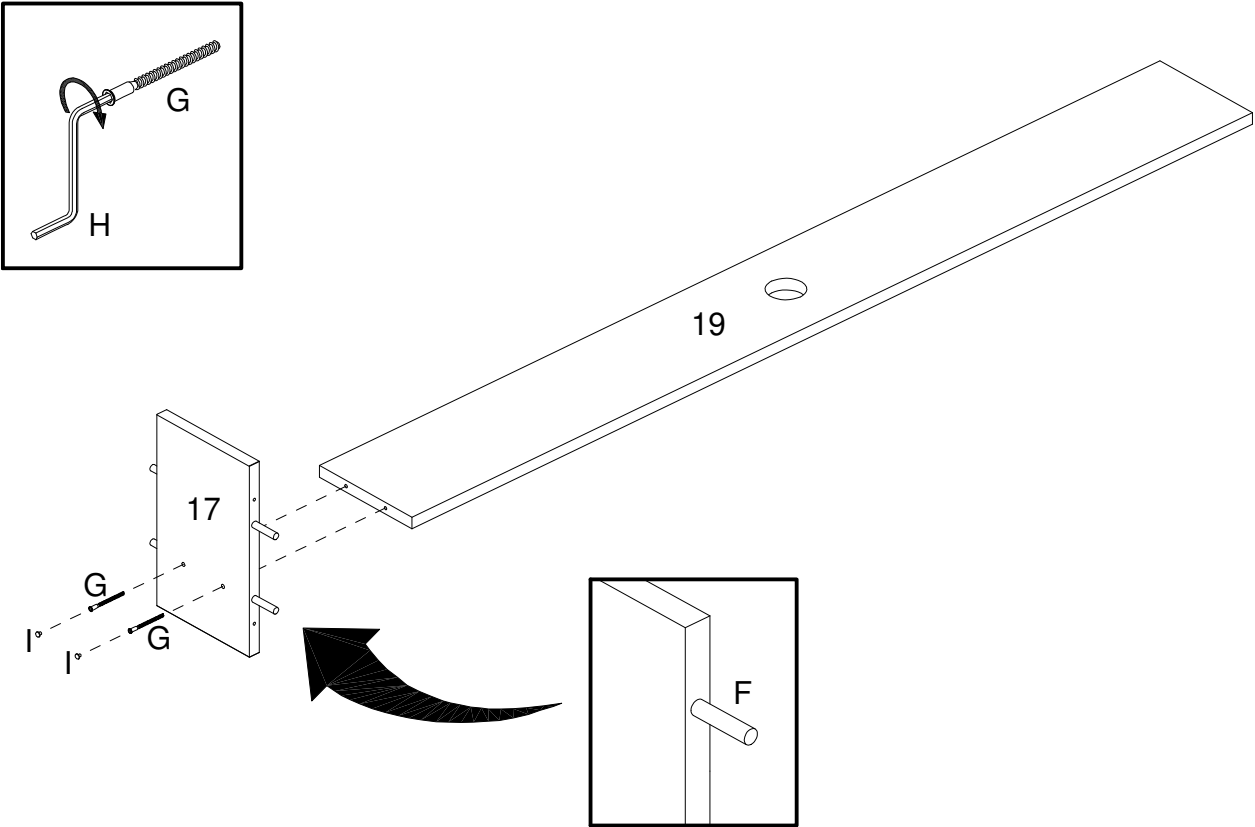
Step 4: Attach the hardware part J to the top base (15) and top (16) using the a screwdriver (not provided). **DO NOT use any power tools as this may damage the frame and will invalidate any claim.**



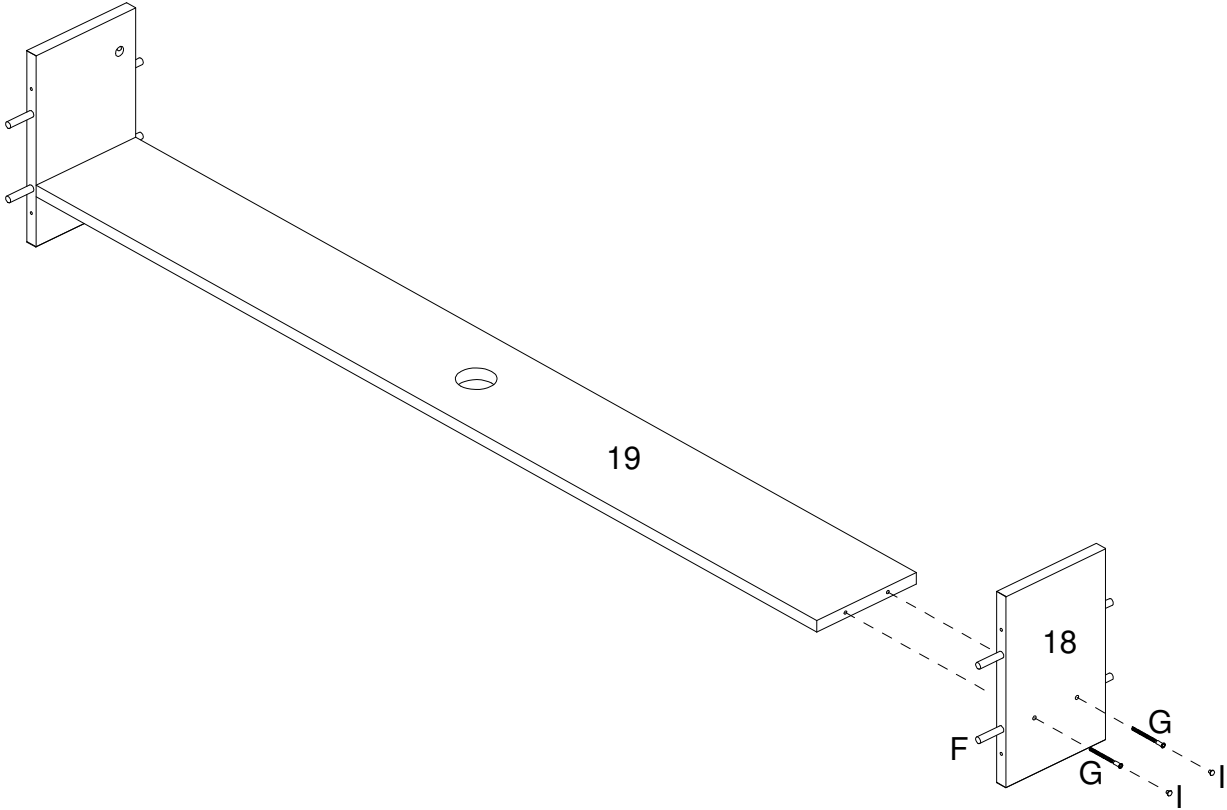
Step 5: Insert hardware part E using small mallet (not provided). **DO NOT use any power tools as this may damage the frame and will invalidate any claim.**



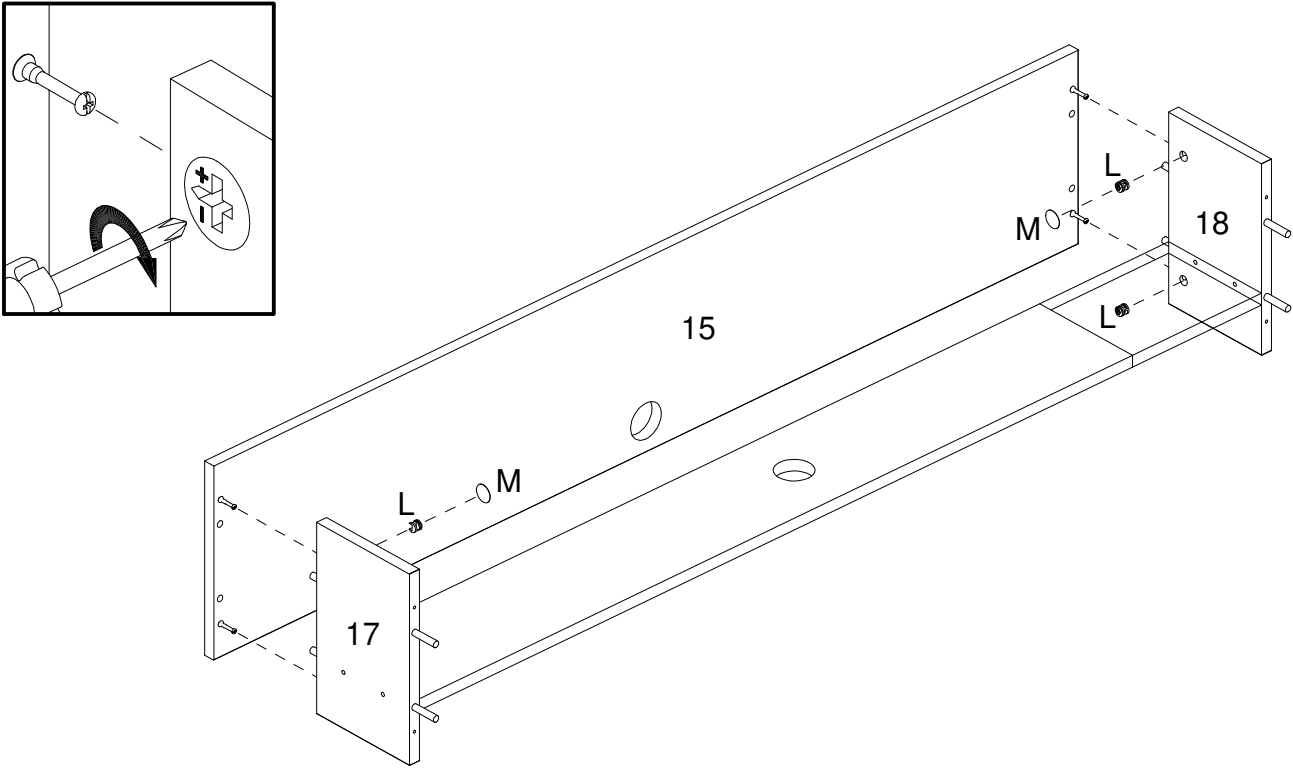
Step 6: Attach the upper left side (17) to the top backboard (19) using hardware part G, H and I. **DO NOT use any power tools as this may damage the frame and will invalidate any claim.**



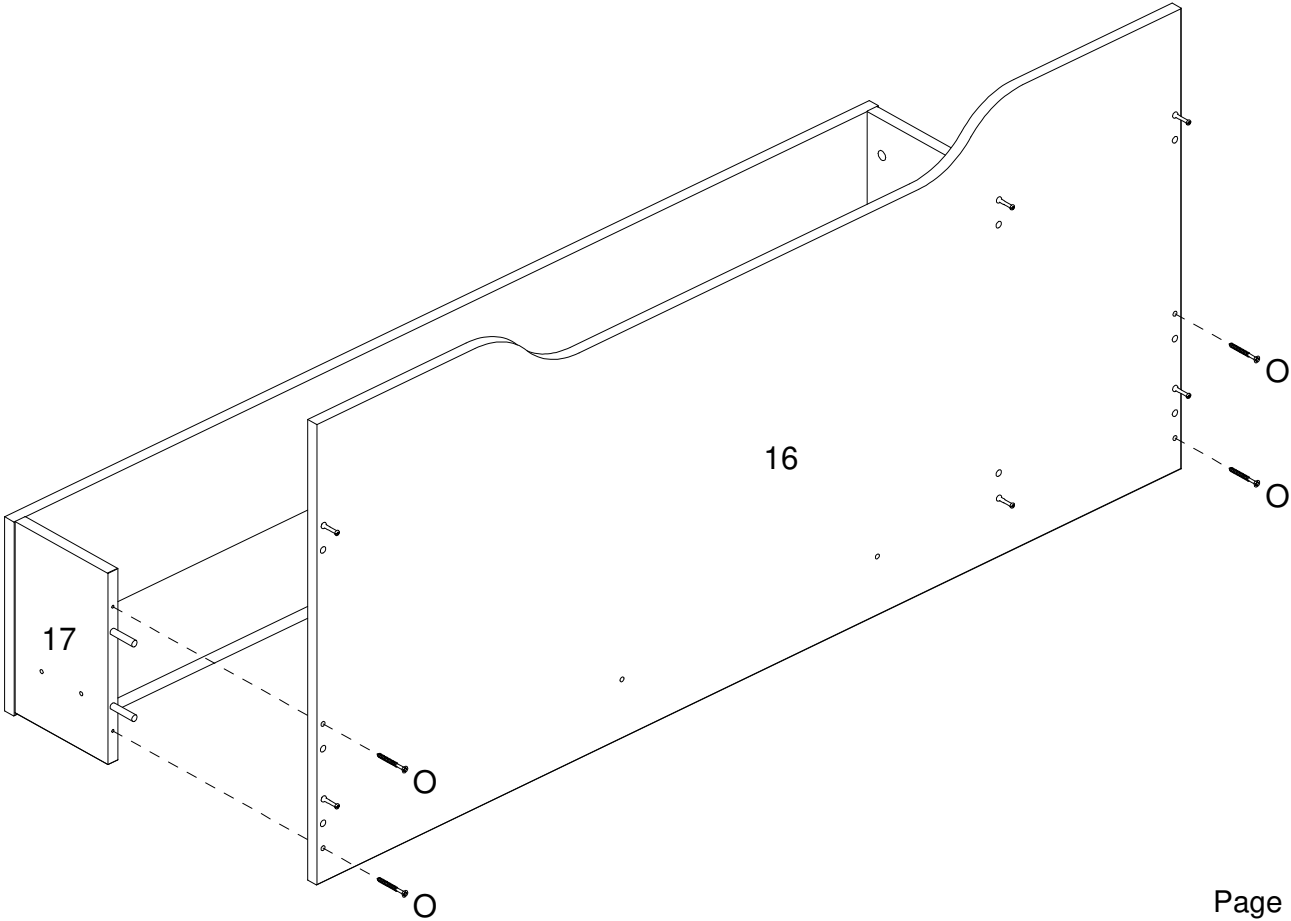
Step 7: Join the upper right side (18) to the assembled section using hardware part G, H and I. **DO NOT use any power tools as this may damage the frame and will invalidate any claim.**



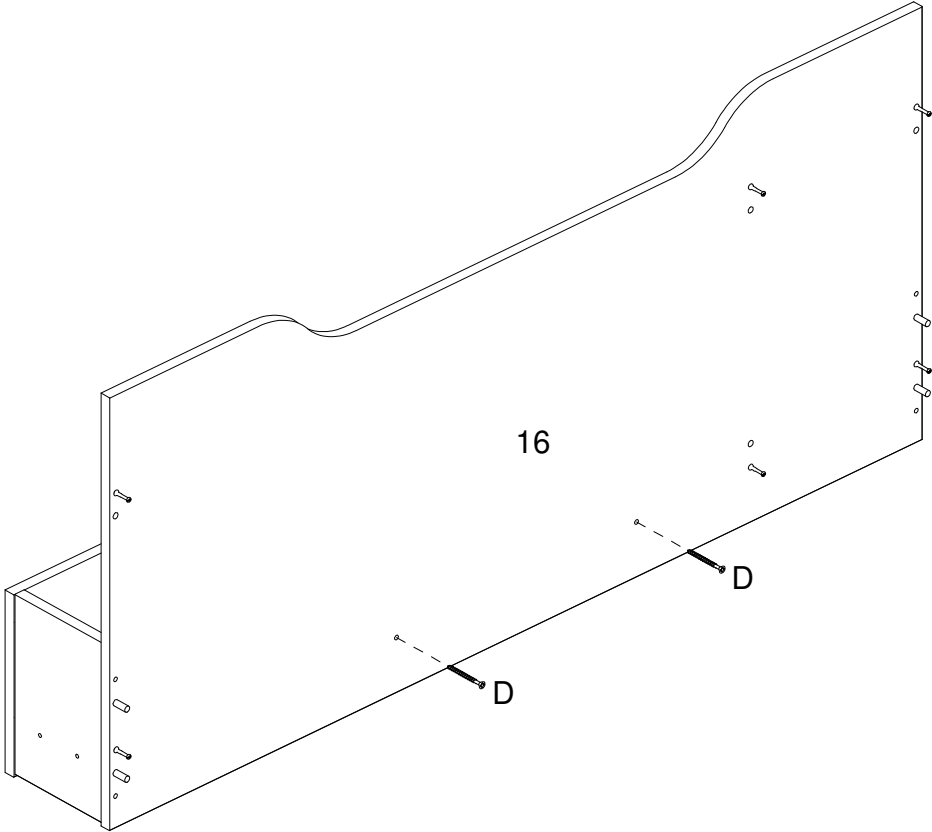
Step 8: Join the top base (15) to the assembled section using hardware part L and a screwdriver. Insert the hardware part M to the upper left side (17) and the upper right side (18).
DO NOT use any power tools as this may damage the frame and will invalidate any claim.



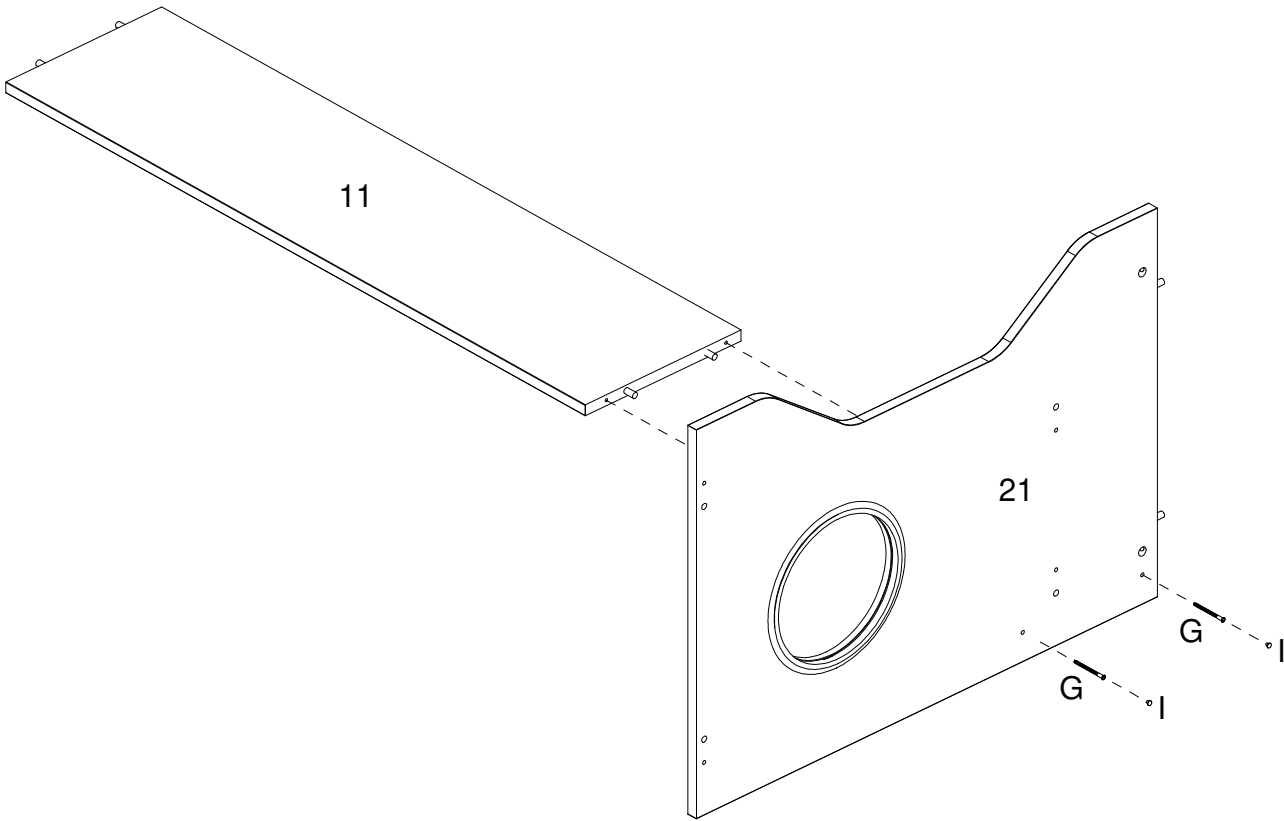
Step 9: Join the top (16) to the assembled section using hardware part O and a screwdriver (not provided).
DO NOT use any power tools as this may damage the frame and will invalidate any claim.



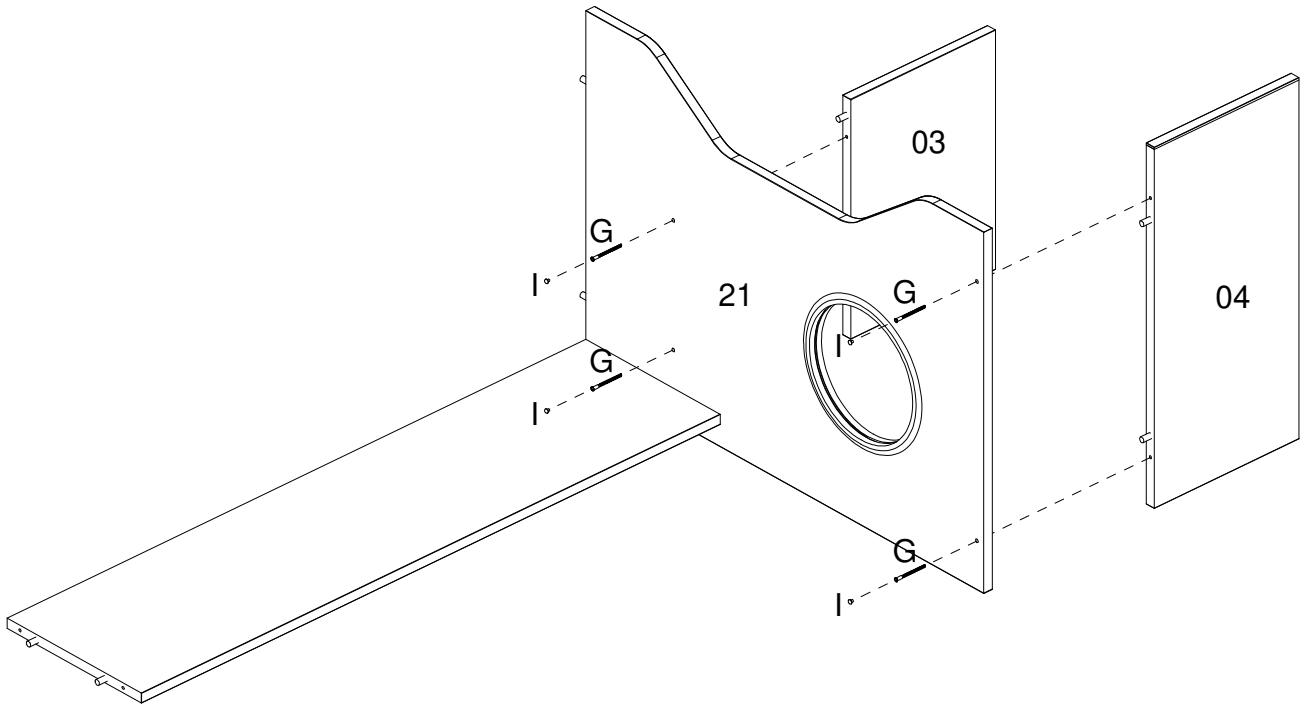
Step 10: Join the top (16) to the top backboard (19) using hardware part D and a screwdriver (not provided). **DO NOT use any power tools as this may damage the frame and will invalidate any claim.**



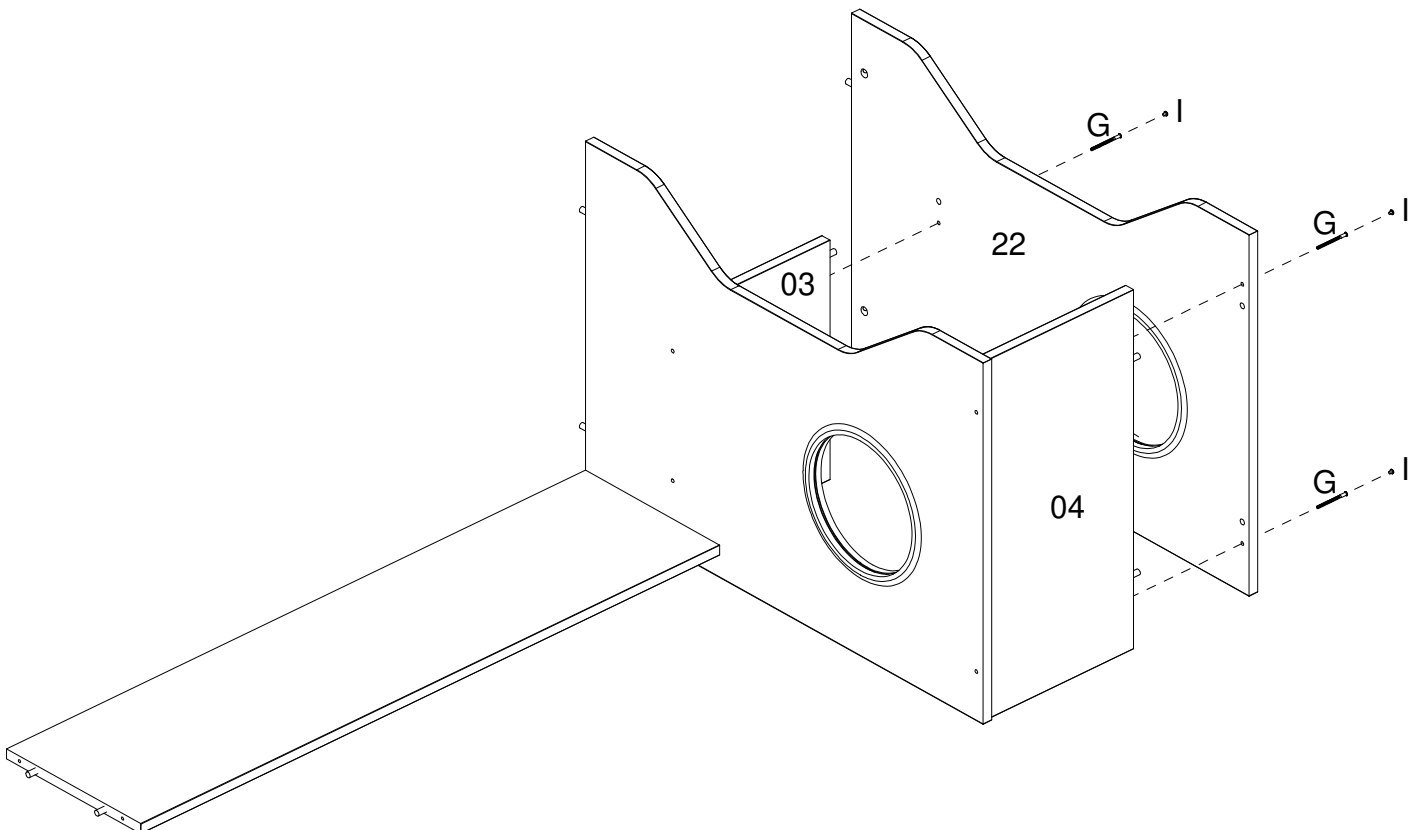
Step 11: Attach the lower division (21) to the lower backboard (11) using hardware part G, H and I. **DO NOT use any power tools as this may damage the frame and will invalidate any claim.**



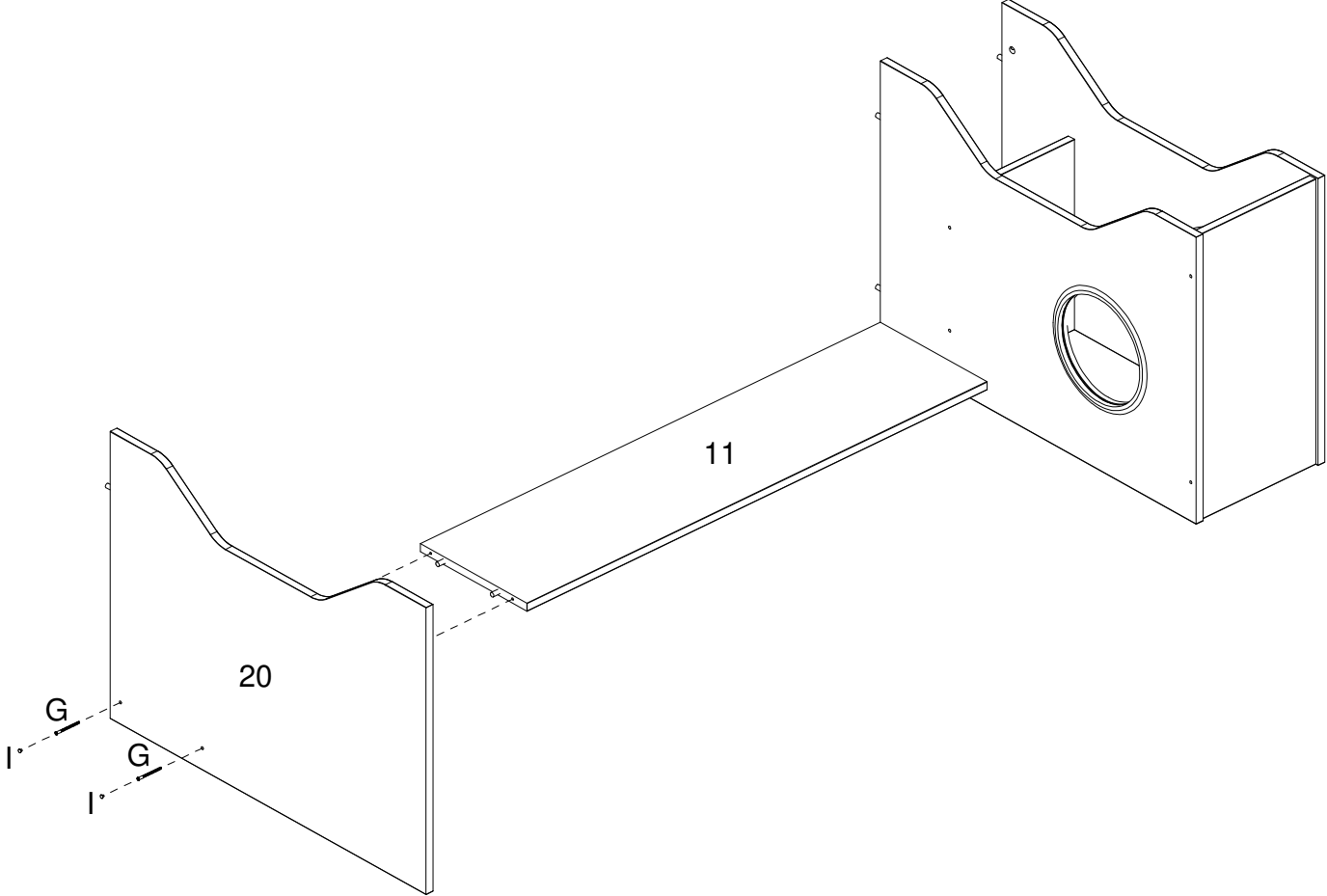
Step 12: Join the shelf (03) and bottom base (04) to the lower division (21) using hardware part G, H and I. **DO NOT use any power tools as this may damage the frame and will invalidate any claim.**



Step 13: Join the lower right side (22) to the shelf (03) and bottom base (04) using hardware part G, H and I. **DO NOT use any power tools as this may damage the frame and will invalidate any claim.**

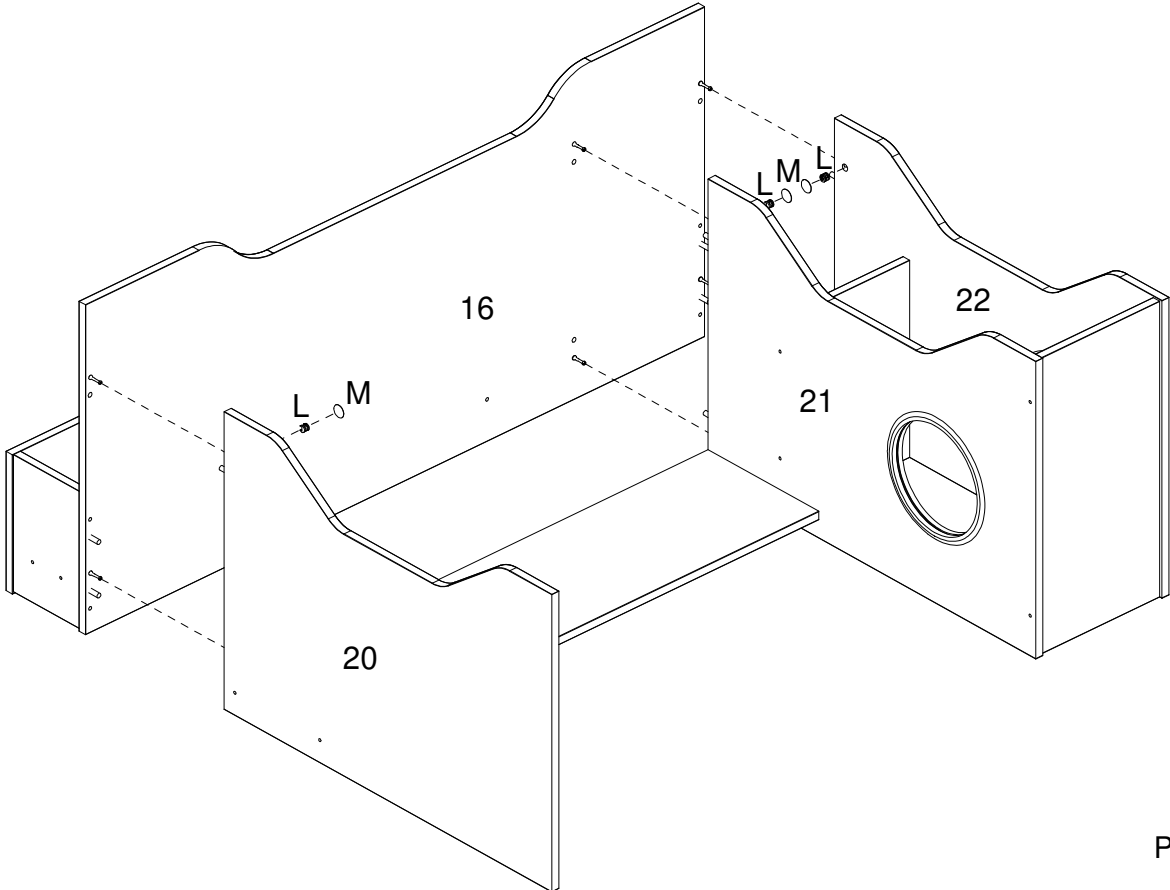


Step 14: Attach the lower left side (20) to the lower backboard (11) using hardware part G, H and I. **DO NOT use any power tools as this may damage the frame and will invalidate any claim.**

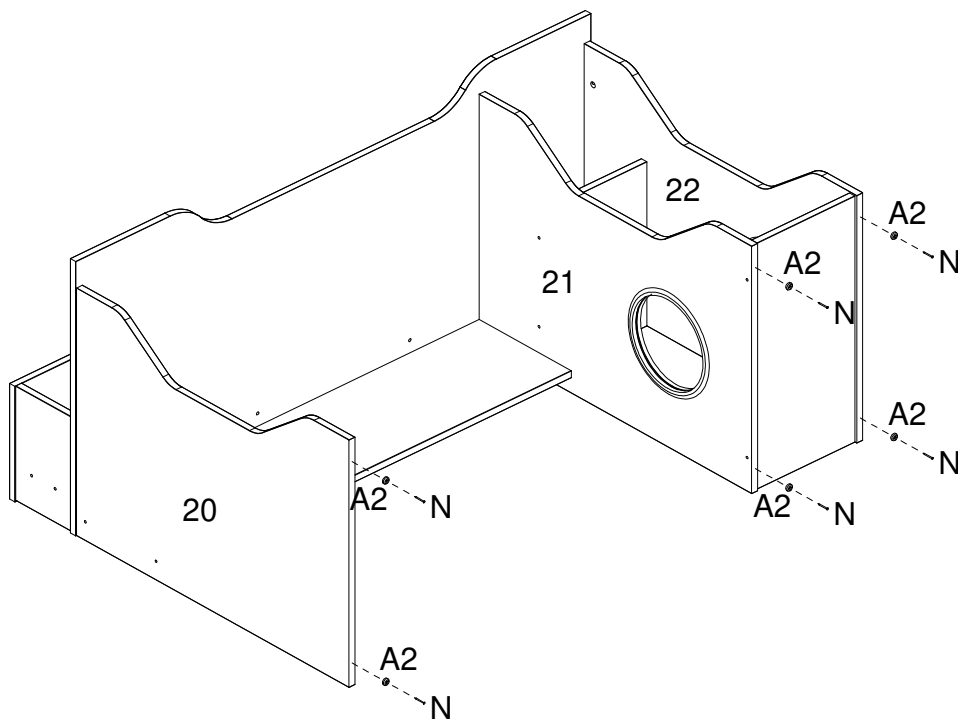


Step 15: Join the top (16) to the lower left side (20), lower division (21) and lower right side (22) using hardware part L and a screwdriver (not provided). Insert the hardware part M he lower left side (20), lower division (21) and lower right side (22).

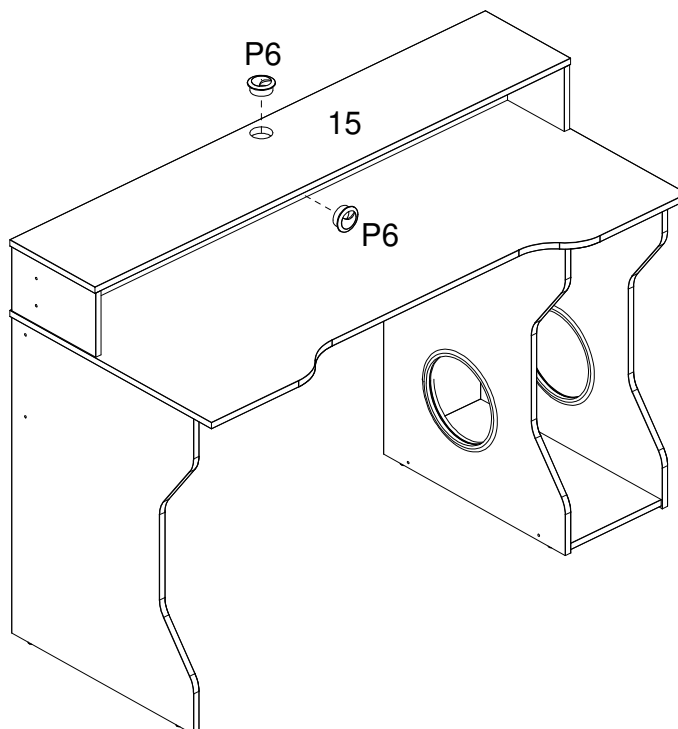
DO NOT use any power tools as this may damage the frame and will invalidate any claim.



Step 16: Attach hardware part A2 to the o the lower left side (20), lower division (21) and lower right side (22) using hardware part N and small mallet (not provided).
DO NOT use any power tools as this may damage the frame and will invalidate any claim.

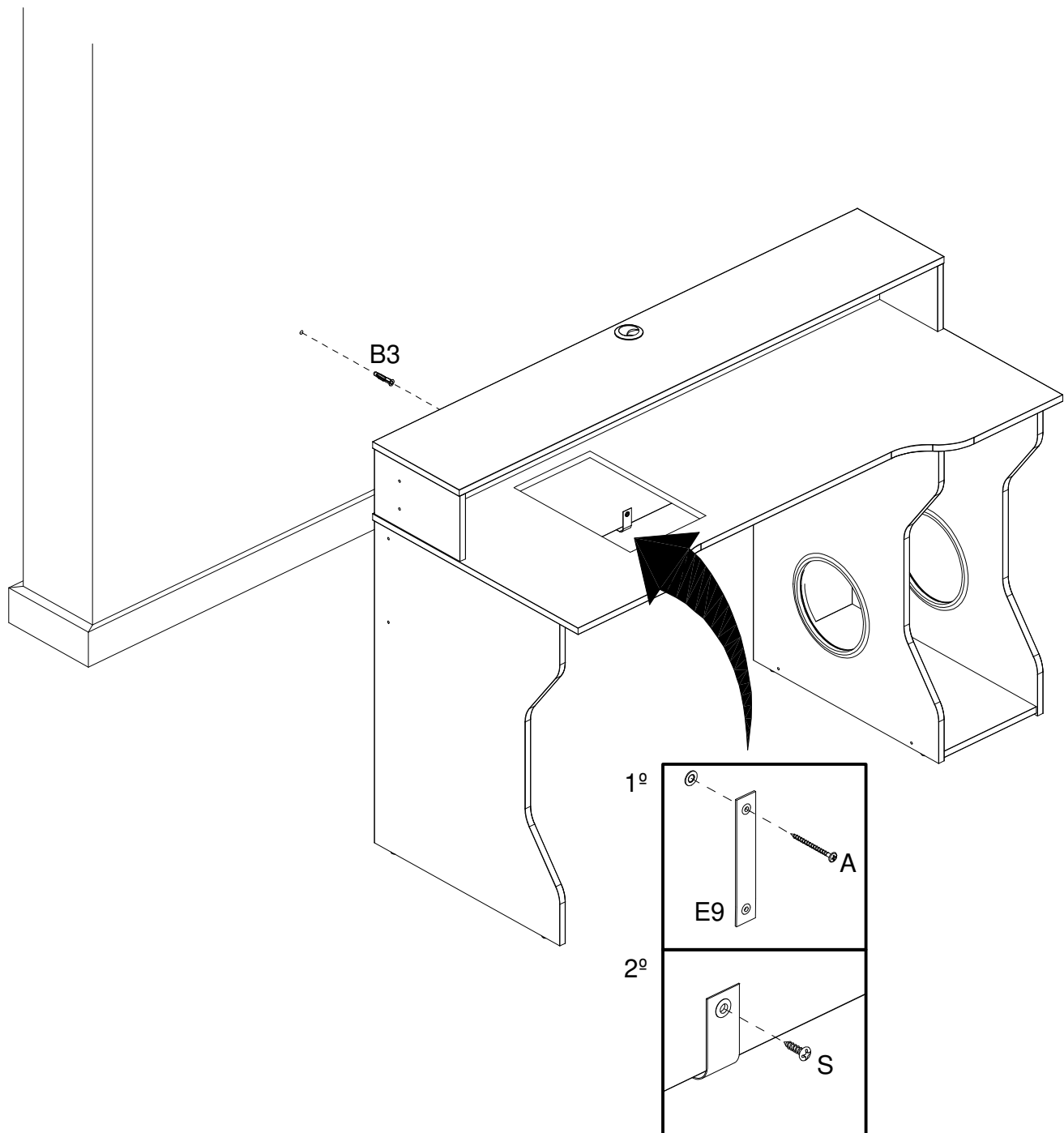


Step 17: Insert hardware part P6 to the top base (15) and top backboard (19).
DO NOT use any power tools as this may damage the frame and will invalidate any claim.



Step 18: To secure the product to the wall use hardware parts A, B3 and E9 using a drilling machine (not provided) and a screwdriver (not provided). Then attach hardware part S to the lower backboard (11) with a screwdriver (not provided).

Birlea Furniture advise you use the wall straps provided to further enhance the safety of this product.



Additional Information:

- For complete product information, images and dimension diagrams please visit the website www.birlea.com
- If you have any issues with your item please contact the retailer directly you purchased it from who will be able to resolve any issues with Birlea.
- Why don't you send us photos of your assembled furniture to info@birlea.com to be shared in our #birleahome feature on Instagram.

Birlea®