



Assembly Instructions

Thank you for
purchasing a
Birlea product.

For a chance to win a Love 2 Shop voucher simply post a picture of your new product on your preferred social channels tagging Birlea Furniture and using the hashtag **#ShareYourStyle** and **#Birlea**. One winner will be selected at random each month.

To view our full terms and conditions please visit www.birlea.com

Are you happy with your purchase?

Yes: That's great, we would love to hear more from you. Please leave us a review on our social media channels or Trustpilot. Your feedback will be greatly appreciated.

No: If for any reason there is something missing, indifferent or incorrect with your order, please contact the retailer you purchased the item from. We will work with the retailer to resolve your issue as quickly as possible.



URBAN 2 DOOR WARDROBE RUSTIC

Assembly Instructions

Before you begin...

1. Please check in your desired room of use.
2. Unpack all boxes and lay out each component on the floor.
3. Check your product for any damage that may be immediately obvious. If damage is identified, please contact your retailer.
4. Please read through these instructions thoroughly to ensure you have constructed your product correctly.

For Care and Maintenance of your product...

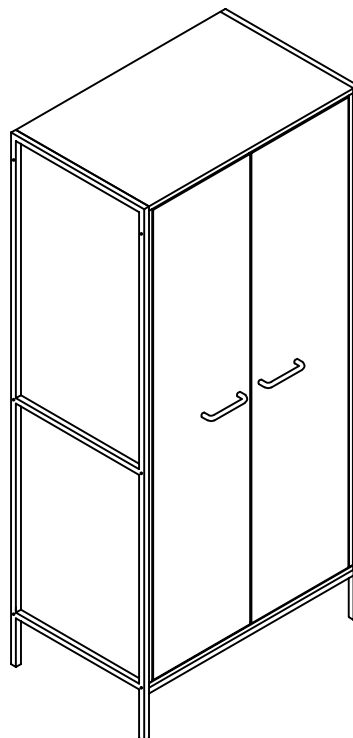
- Always assemble in your desired room of use.
- Always check all screw and fixings periodically to ensure they are still secure.
- Do not push or pull this product as it will cause damage.
- Always lift this product with a second person to prevent damage or injury.
- Keep any sharp objects away from this product.

For your Health and Safety...

- Do not use this bed if you find missing, damaged or worn parts. Please contact your retailer.
- Please do not use this product until you have fully secured all fixings.
- Please keep all small components away from children.
- Always use on a level even surface.

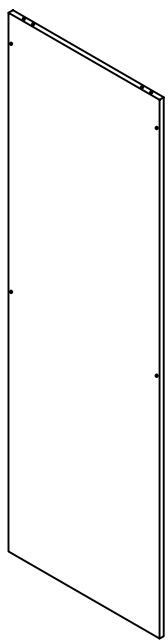
Also...

If your desired room of choice has a non-carpeted surface ensure please that you use some form of anti-slip protection and **do not** place directly on the wooden floor. This will prevent the item from moving and therefore collapsing which will void your guarantee...

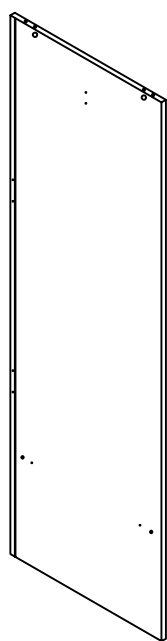




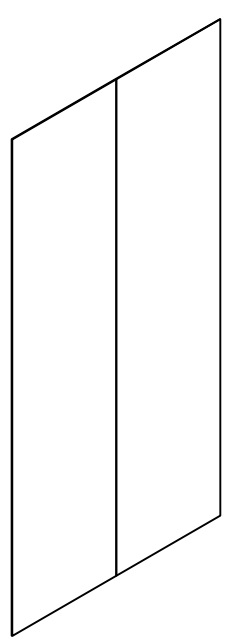
Box 1



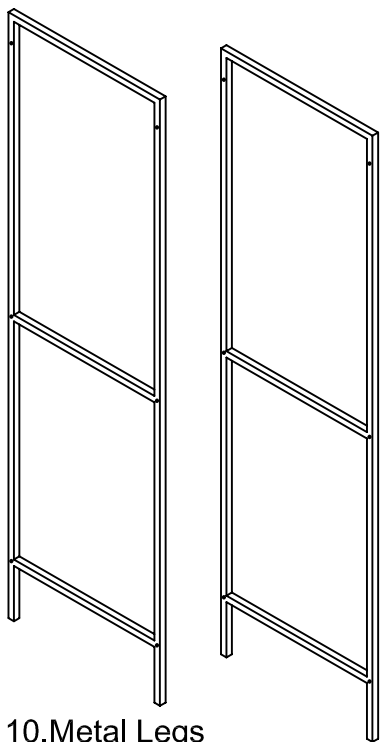
2.Left Side Panel (x1)



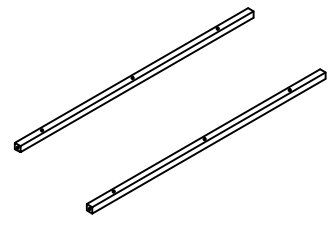
3.Right Side Panel (x1)



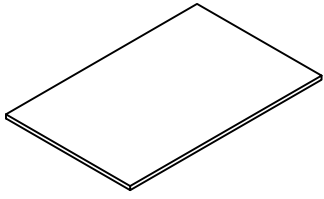
7.Back Panels (x2)



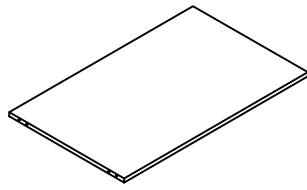
10.Metal Legs (x2)



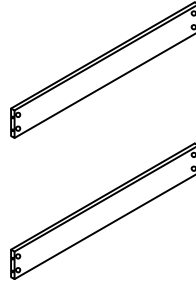
11.Metal Support Legs (x2)



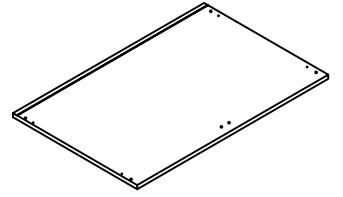
1.Top Panel (x1)



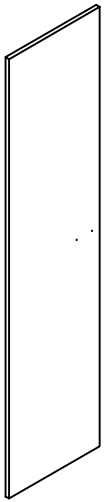
4.Center Panel (x1)



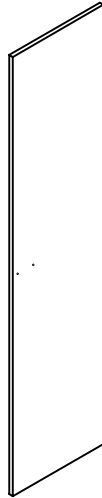
5.Back Support Panels (x2)



6.Bottom Panel (x1)



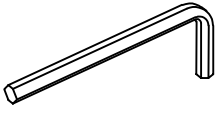
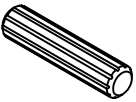
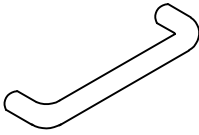
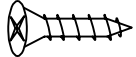
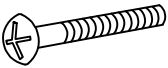

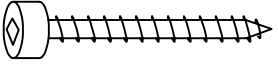
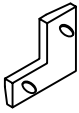

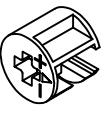
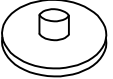
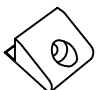
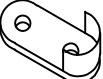
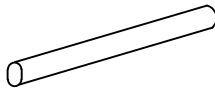

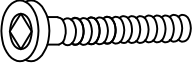
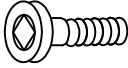
8.Door Panel (L) (x1)



9.Door Panel (R) (x1)

Hardware

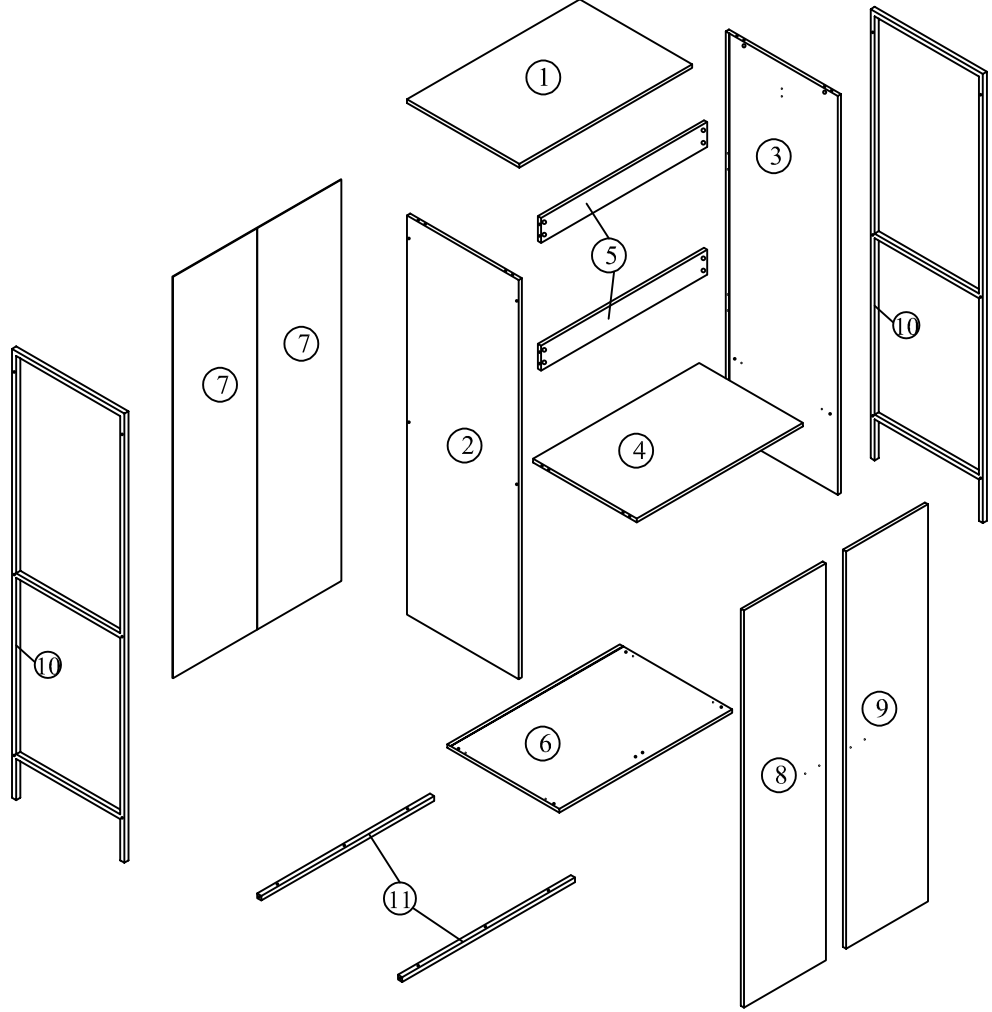
All fitting are stored within Box 1

-  **A.Allen Key (x1)**
-  **B.Plastic Dowel (x12)**
-  **C.U Handle (x2)**
-  **D.CSK Screw M3.5x16mm (x52)**
-  **E.Handle Screw M4 x 20 (x4)**
-  **F.Hinges 7/8" (x6)**
-  **G.JCBC W M6 x 40 (x4)**
-  **H.L Bracket (x4)**
-  **I.Mini Fix Bolt (x16)**
-  **J.Mini Fix Housing (x16)**
-  **K.Mini Fix Cap (x16)**
-  **L.Stub Bracket (x4)**
-  **M.Oval Bracket (x2)**
-  **N.Pipe (x1)**
-  **O.Stopper (Black) (x2)**
-  **P.JCBC M6 x 50mm (x4)**
-  **Q.JCBC M6 x 30mm (x14)**

***You will need a screwdriver (not provided)**

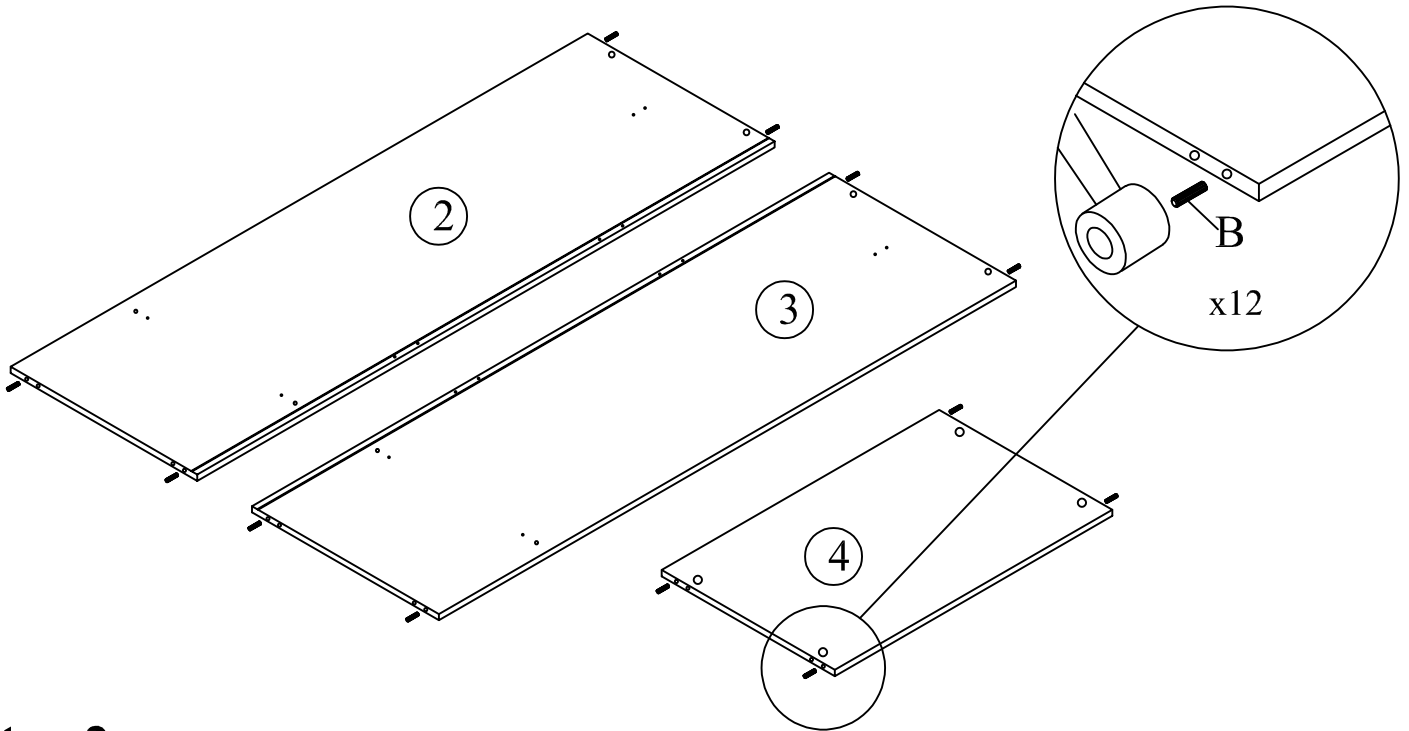
Step 1

Unpack all components from the boxes and check you are not missing anything. Please check these against the list on page 3 & 4. Should you identify any missing components, please contact the retailer you purchased the item from.



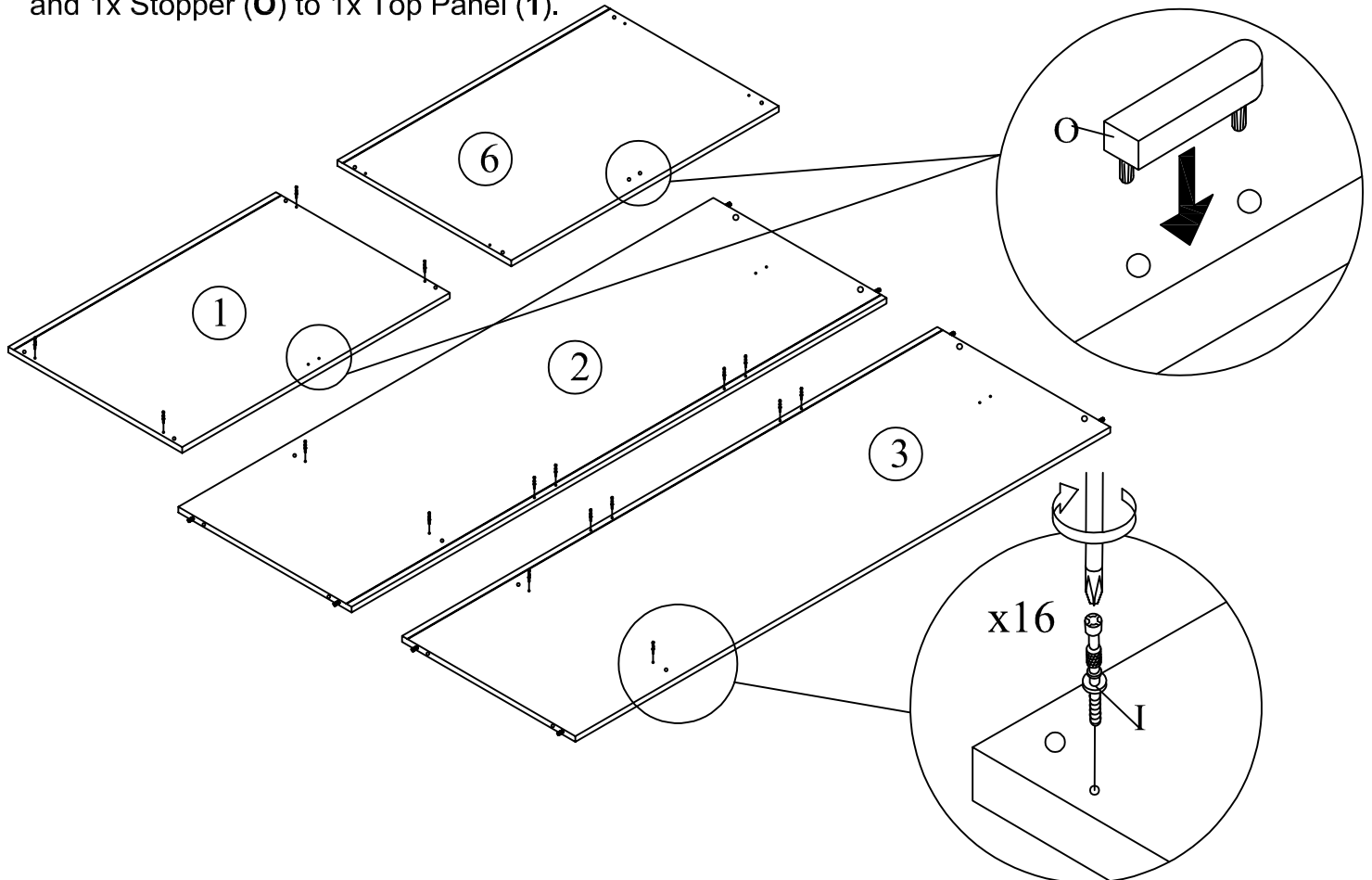
Step 2

Attach the 12x Dowel (B) to the all parts as shown.



Step 3

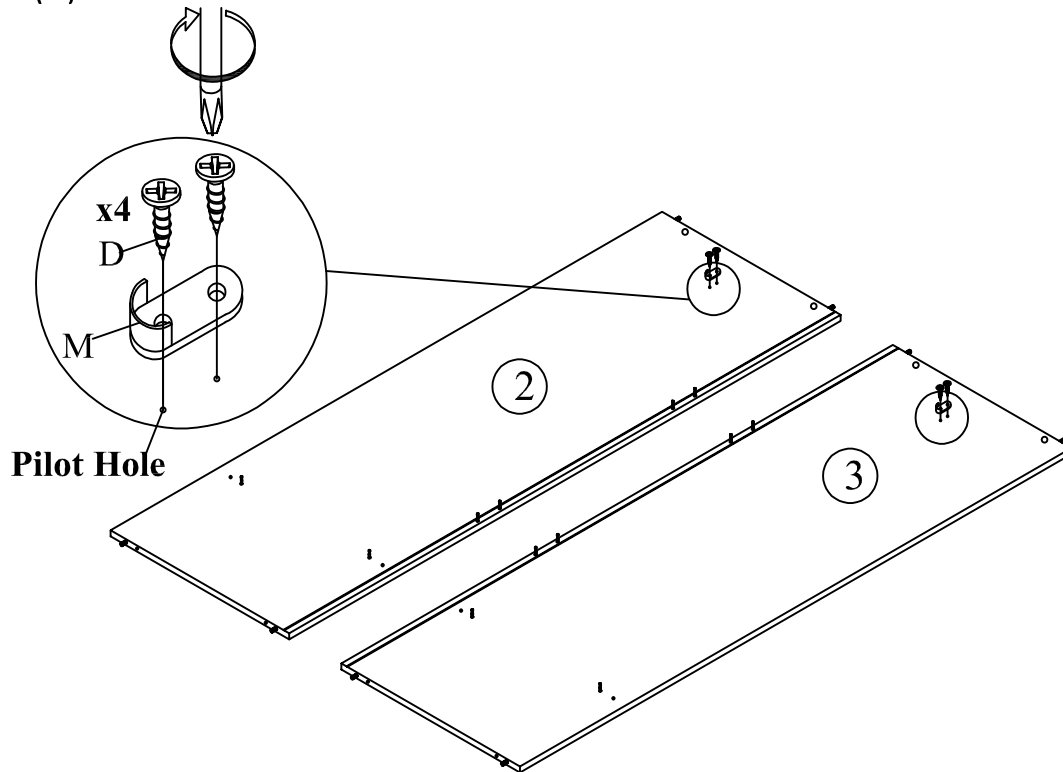
Attach the 16x Minifix Bolt (I) to the all parts as shown. Attach 1x Stopper (O) to 1x Bottom Panel (6) and 1x Stopper (O) to 1x Top Panel (1).



DO NOT use any power tools as this may damage the frame and will invalidate any claim.

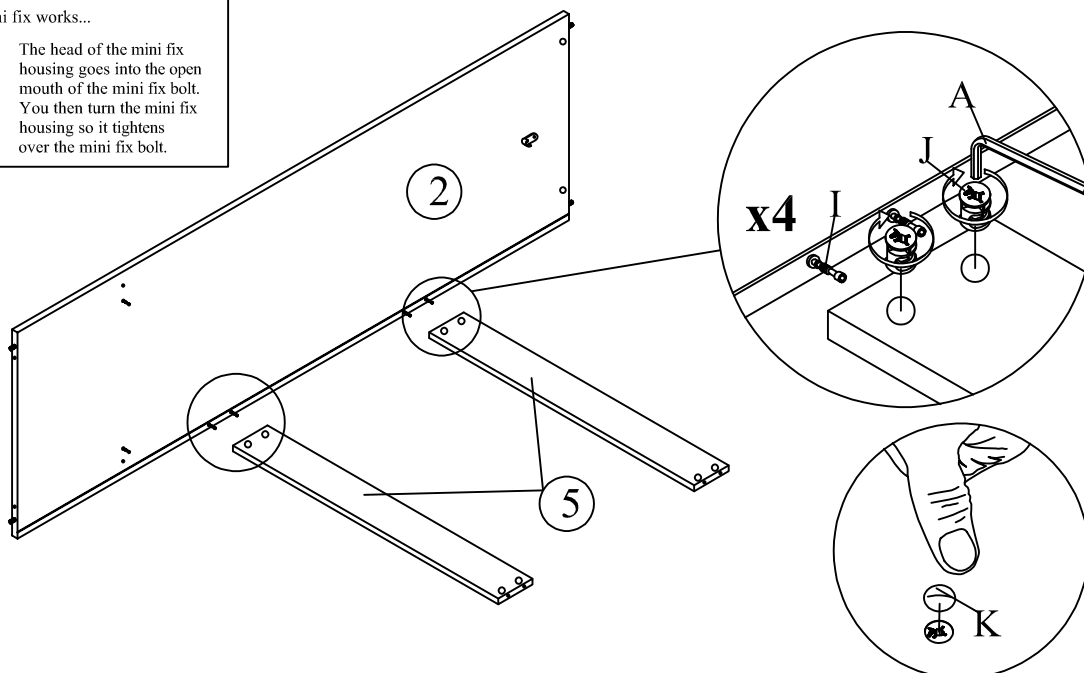
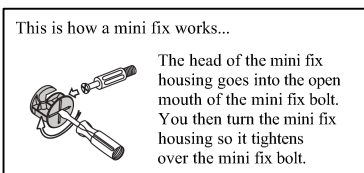
Step 4

Attach the 2x Oval Bracket (M) to 1x Left Side Panel (2) and 1x Right Side Panel (3) using 4x CSK Screw M3.5x16mm (D).



Step 5

Attach the 2x Back Support Panels (2) to 1x Left Side Panel (2) using 4x Minifix Bolt (I) and 4x Minifix Housing (J) and 4x Minifix Cap (K). Turn the 4x Minifix Housing (J) to tighten using the 1x Allen Key (A) or screwdriver (not provided). Cover the 4x Minifix Housing (J) using the 4x Minifix Cap (K) by pressing it into the Minifix House.

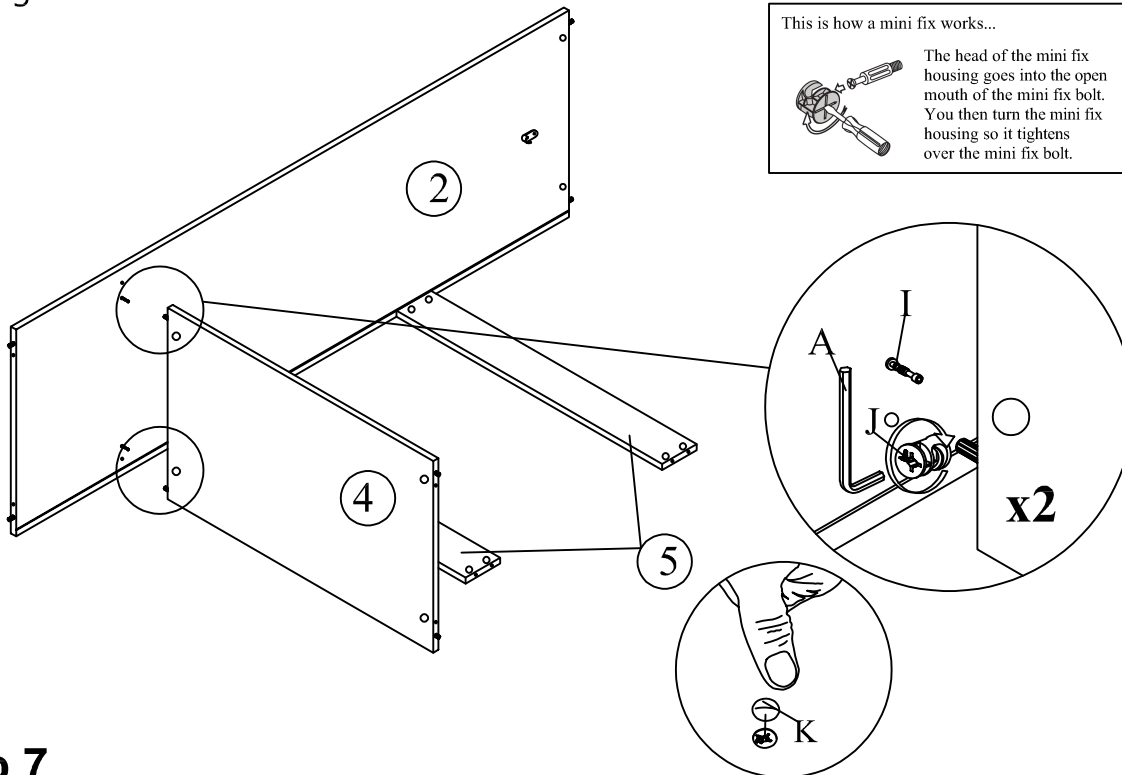


*Attach Minifix Cap as shown.

DO NOT use any power tools as this may damage the frame and will invalidate any claim.

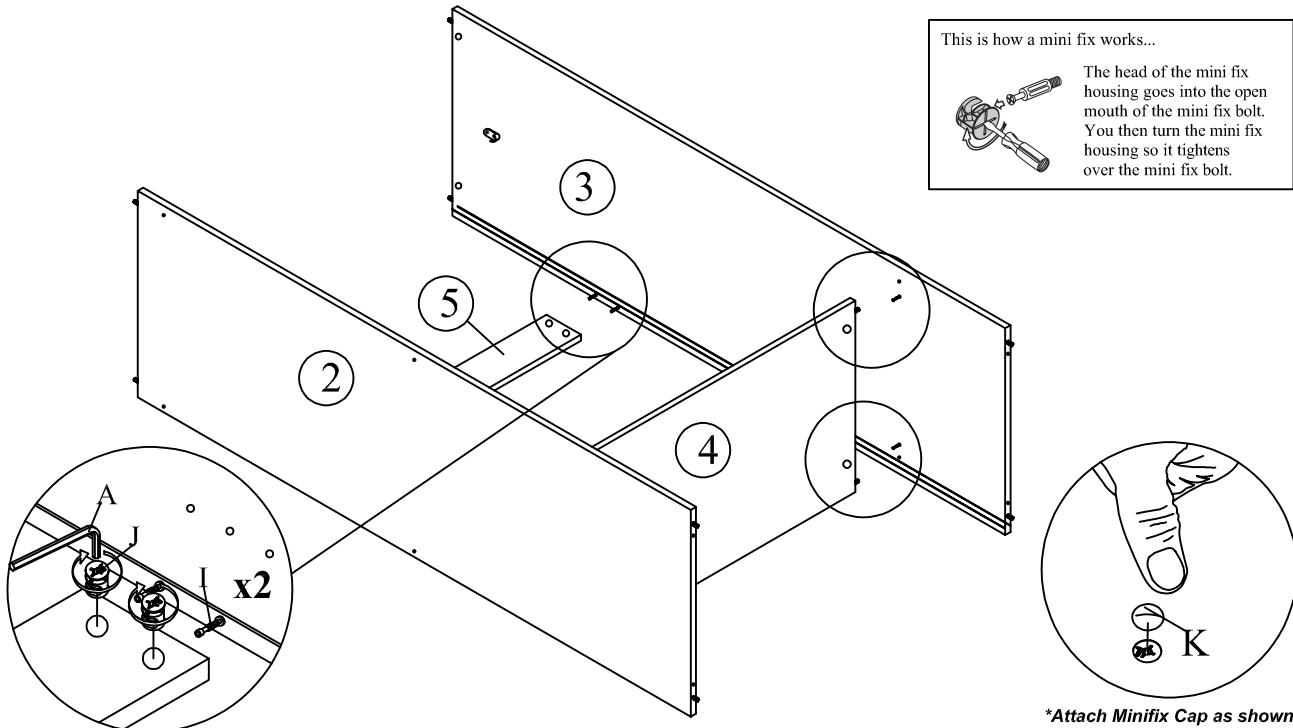
Step 6

Attach the 1x Center Panel (4) to 1x Left Side Panel (2) using 2x Minifix Bolt (I) and 2x Minifix Housing (J) and 2x Minifix Cap (K). Turn the 2x Minifix Housing (J) to tighten using the 1x Allen Key (A) or screwdriver (not provided). Cover the 2x Minifix Housing (J) using the 2x Minifix Cap (K) by pressing it into the Minifix House.



Step 7

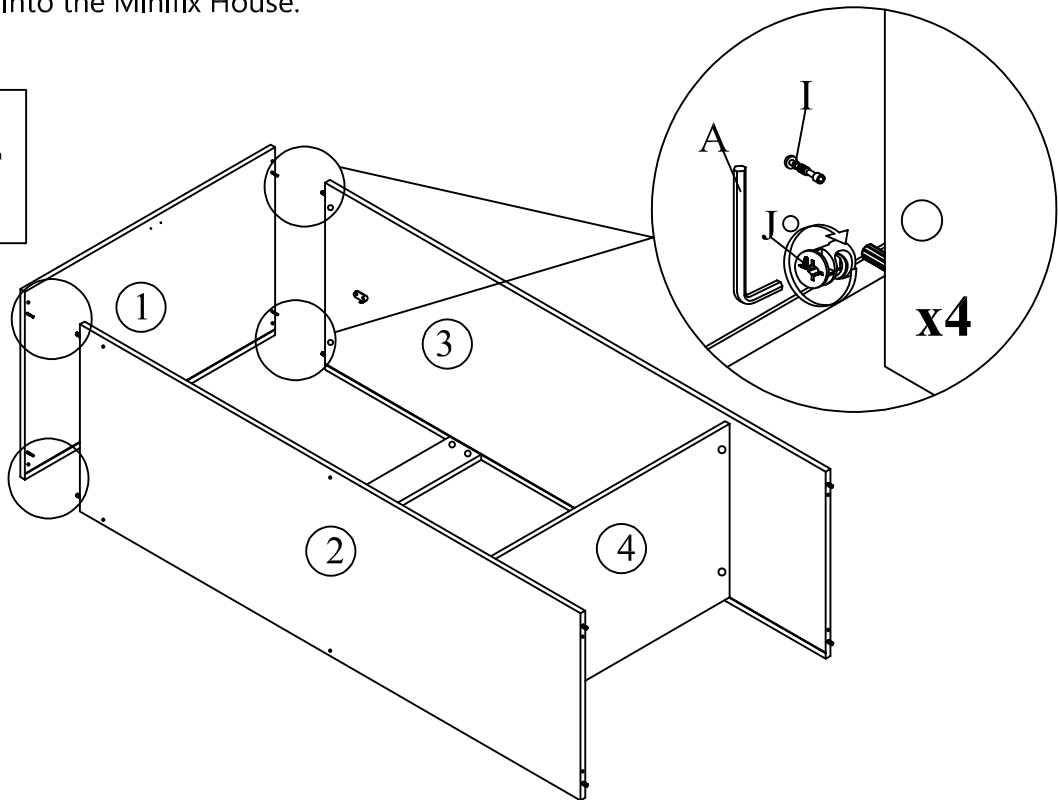
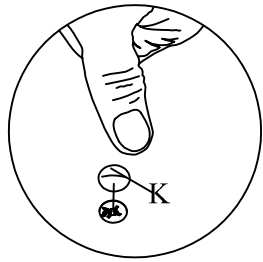
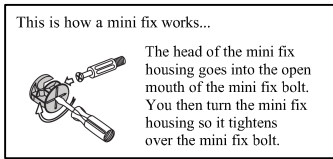
Attach the 2x Back Support Panels (2) and 1x Center Panel (4) to 1x Right Side Panel (3) using 6x Minifix Bolt (I) and 6x Minifix Housing (J) and 6x Minifix Cap (K). Turn the 6x Minifix Housing (J) to tighten using the 1x Allen Key (A) or screwdriver (not provided). Cover the 6x Minifix Housing (J) using the 6x Minifix Cap (K) by pressing it into the Minifix House.



DO NOT use any power tools as this may damage the frame and will invalidate any claim.

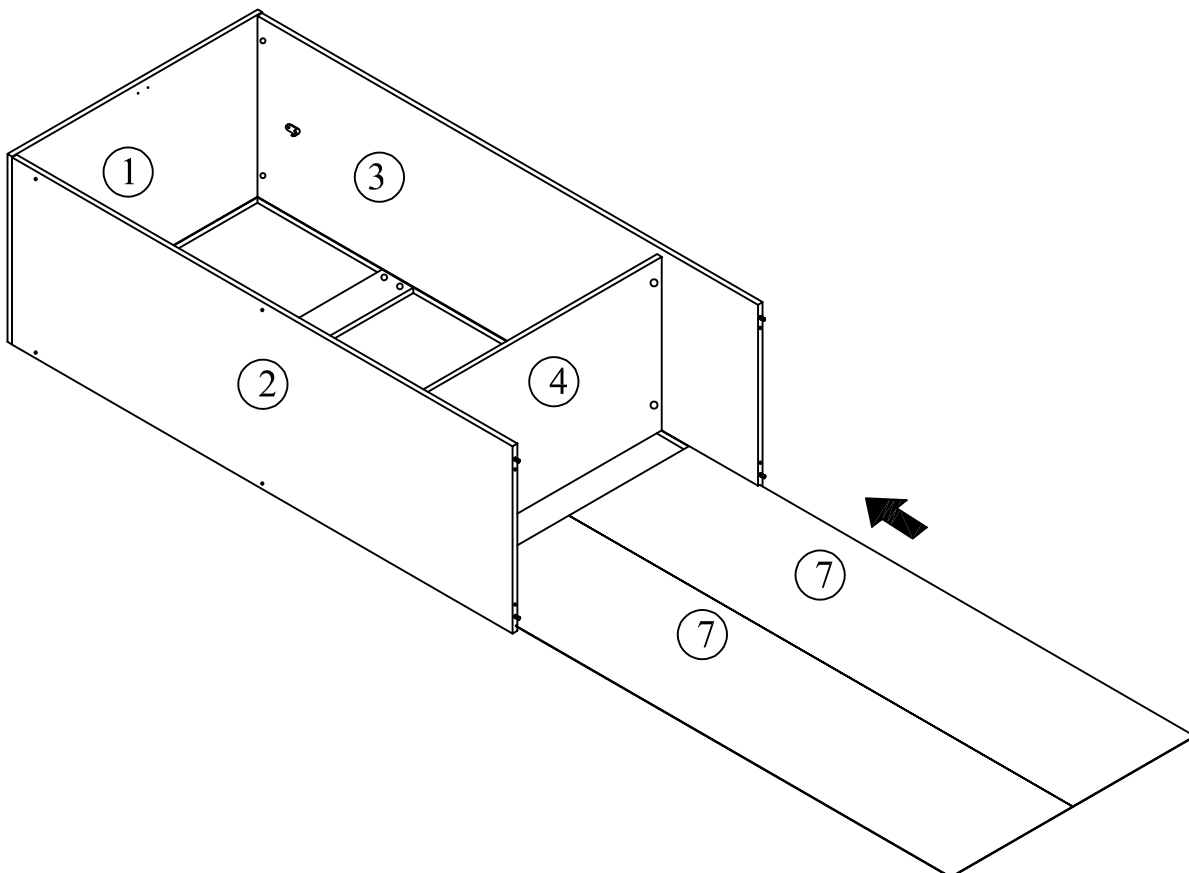
Step 8

Attach the 1x Top Panel (1) to 1x Left Side Panel (2) 1x Right Side Panel (3) using 4x Minifix Bolt (I) and 4x Minifix Housing (J) and 4x Minifix Cap (K). Turn the 4x Minifix Housing (J) to tighten using the 1x Allen Key (A) or screwdriver (not provided). Cover the 4x Minifix Housing (J) using the 4x Minifix Cap (K) by pressing it into the Minifix House.



Step 9

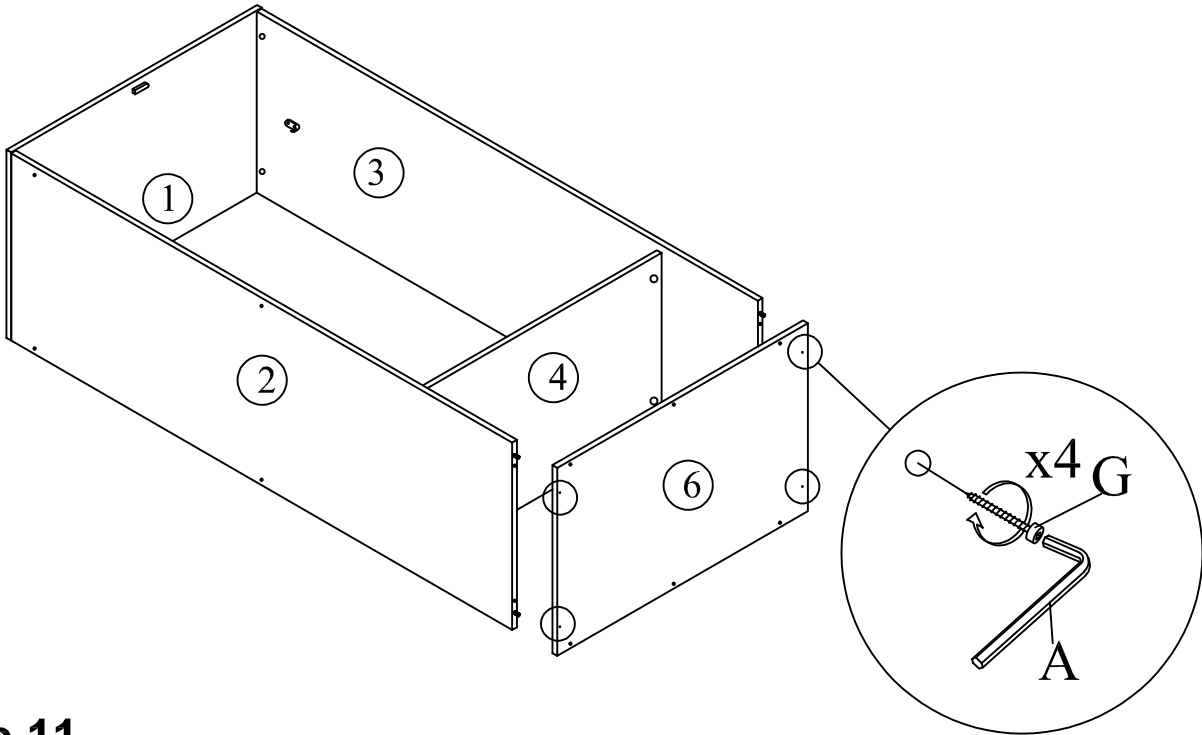
Slot 2x Back Panel (7) in the slide at 1x Right Side Panel (3) and 1x Left Side Panel (2).



DO NOT use any power tools as this may damage the frame and will invalidate any claim.

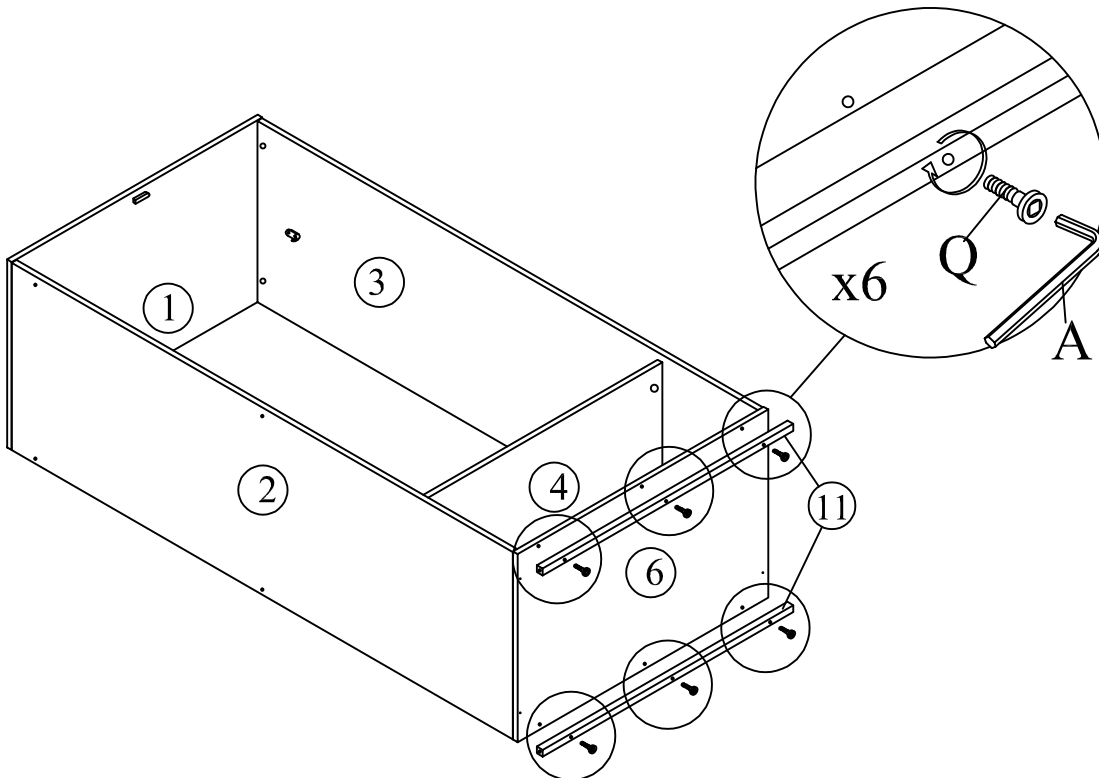
Step 10

Attach 1x Bottom Panel (6) to 1x Right Side Panel (3) and 1x Left Side Panel (2). Tighten with 4x JCBC W M6 x 40mm (G) using the 1x Allen Key (A).



Step 11

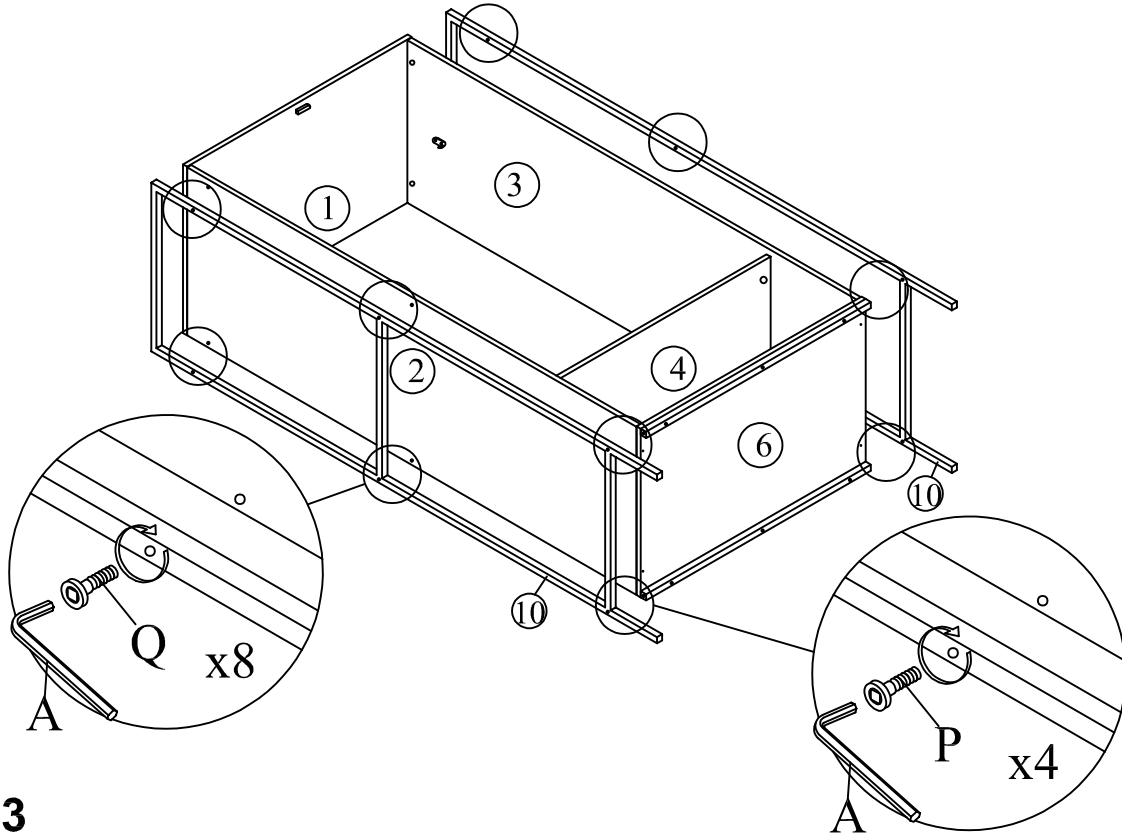
Attach the 2x Metal Support Legs (11) to 1x Bottom Panel (6) and tighten the 6x JCBC M6 x 30mm (Q) using the 1x Allen Key (A).



DO NOT use any power tools as this may damage the frame and will invalidate any claim.

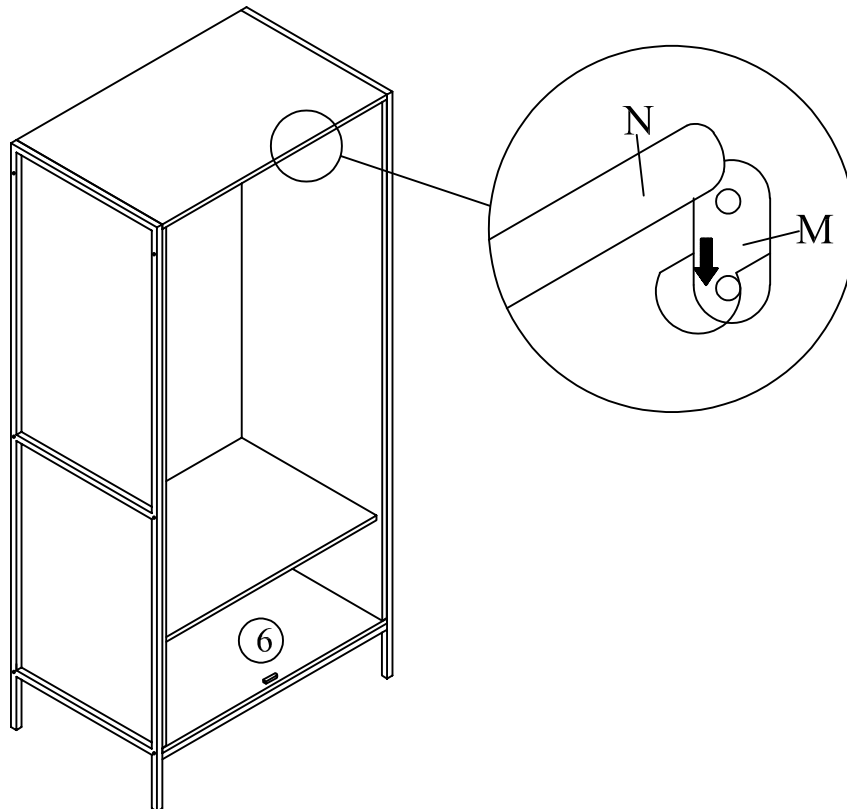
Step 12

Attach 2x Metal Legs (10) to 1x Right Side Panel (3) and 1x Left Side Panel (2). Tighten with 8x JCBC M6 x 30mm (Q) and 4x JCBC M6 x 50mm (P) using the 1x Allen Key (A).



Step 13

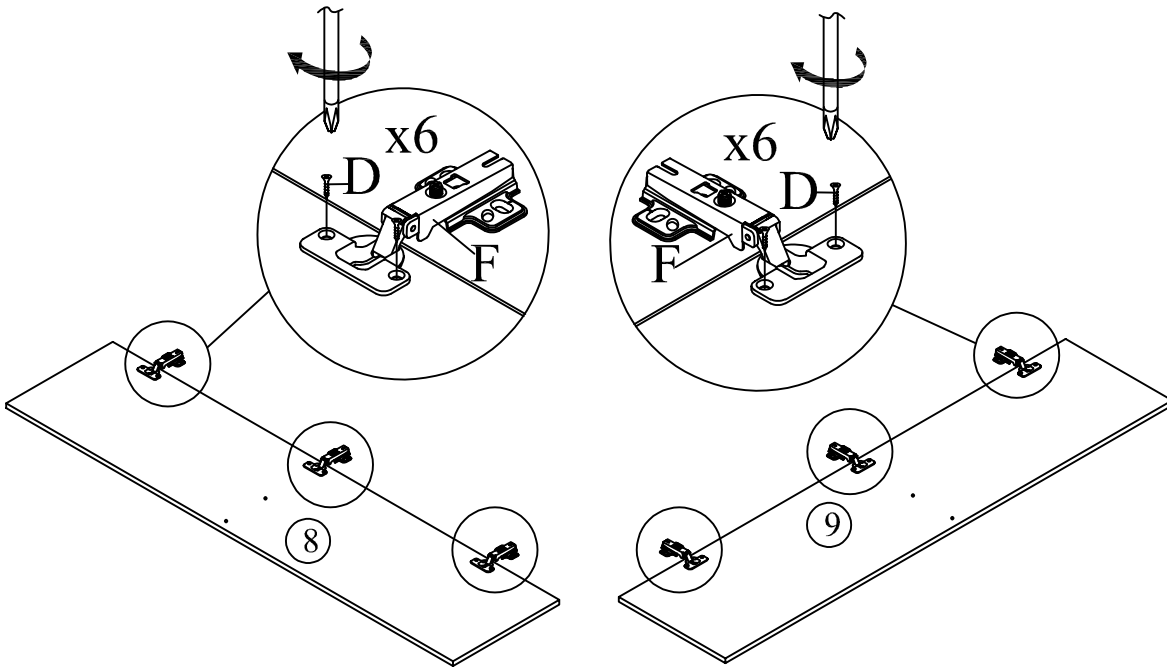
Put 1x Pipe (N) to 2x Oval Bracket (M).



DO NOT use any power tools as this may damage the frame and will invalidate any claim.

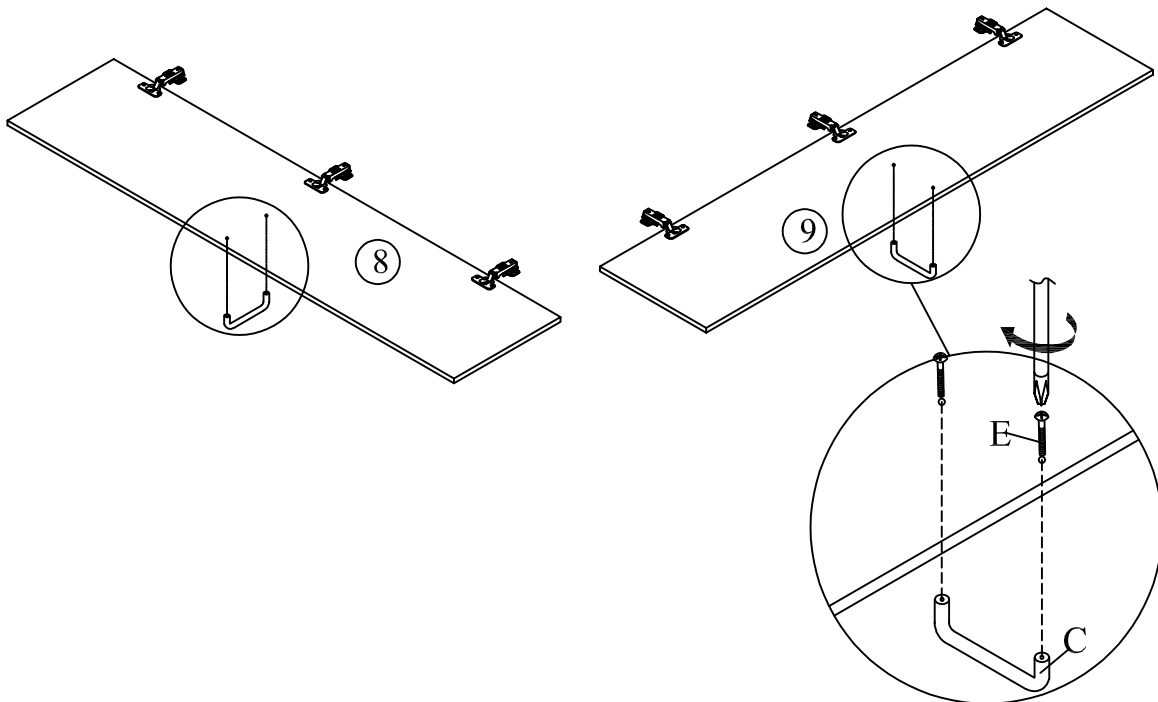
Step 14

Attach 6x Hinges (F) to 1x Right Door Panel (9) and 1x Left Door Panel (8). Tighten with 12x CSK Screw M3.5x16mm (D) using screwdriver (Not Provided).



Step 15

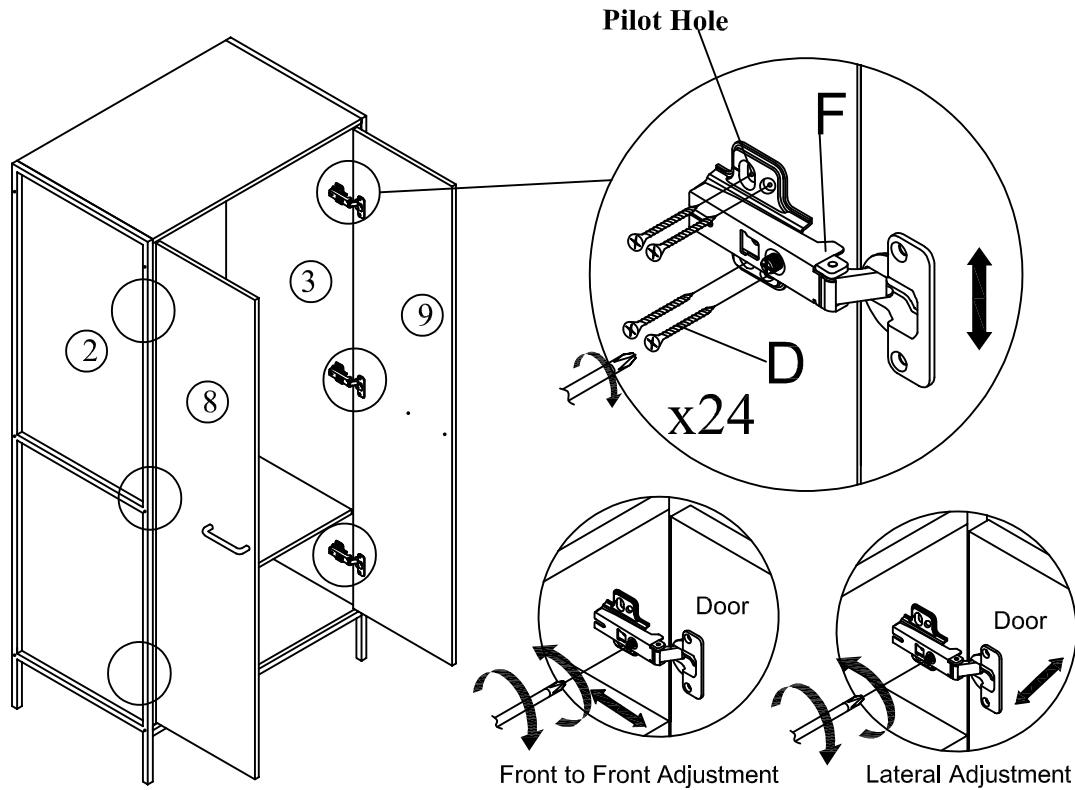
Attach 2x Handle (C) to 1x Right Door Panel (9) and 1x Left Door Panel (8). Tighten with 4x Handle Screw M4 x 20 (E) using screwdriver (Not Provided).



DO NOT use any power tools as this may damage the frame and will invalidate any claim.

Step 16

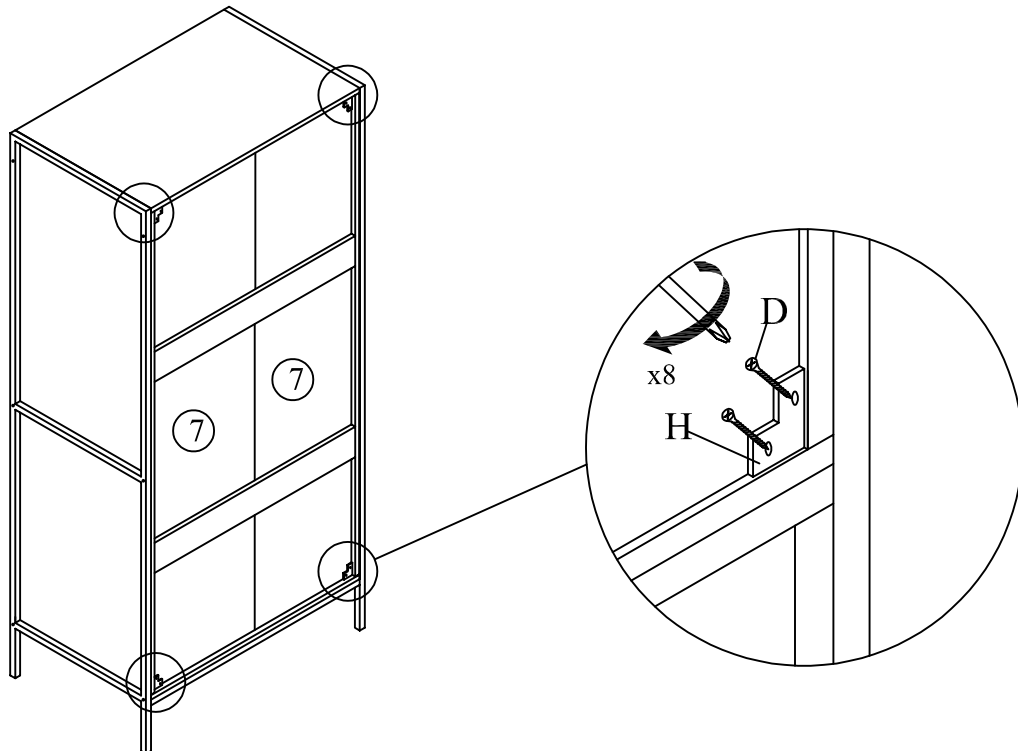
Attach 1x Right Door Panel (9) and 1x Left Door Panel (8) to both Side Panels (2 & 3). Tighten with 24x CSK Screw M3.5x16mm (D) using screwdriver (Not Provided).



Step 17

Attach 4x L Bracket (H) to 2x Back Panel (7). Tighten with 8x CSK Screw M3.5x16mm (D) using screwdriver (Not Provided).

Back View

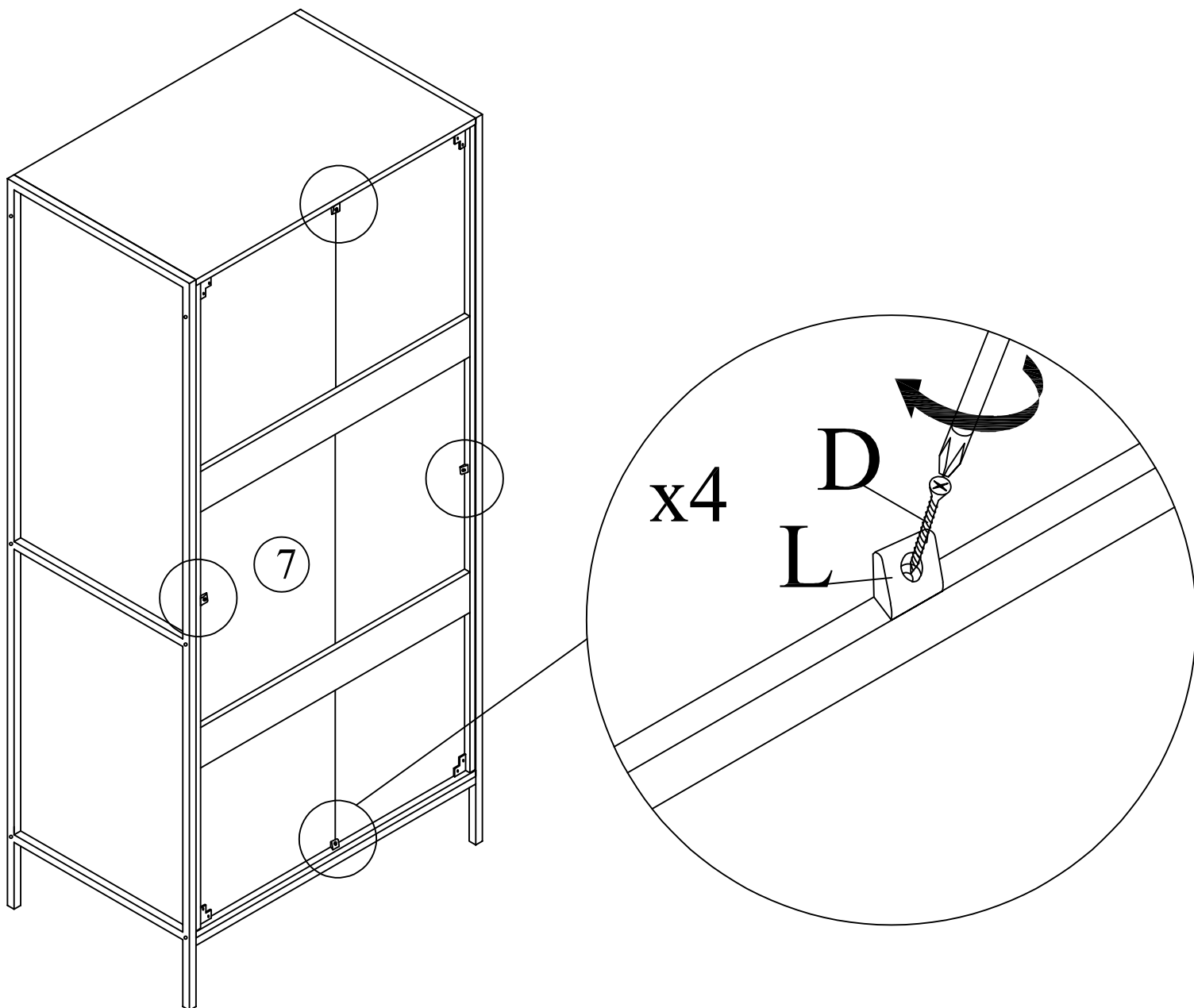


DO NOT use any power tools as this may damage the frame and will invalidate any claim.





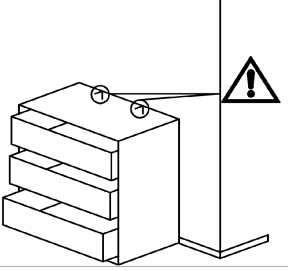
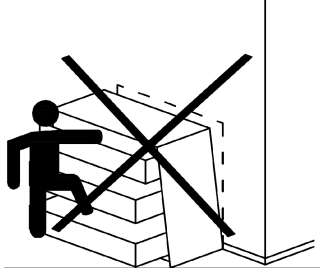
Step 18

Attach 4x Stub Bracket (L) to 2x Back Panel (7). Tighten with 4x CSK Screw M3.5x16mm (D) using screwdriver (Not Provided).

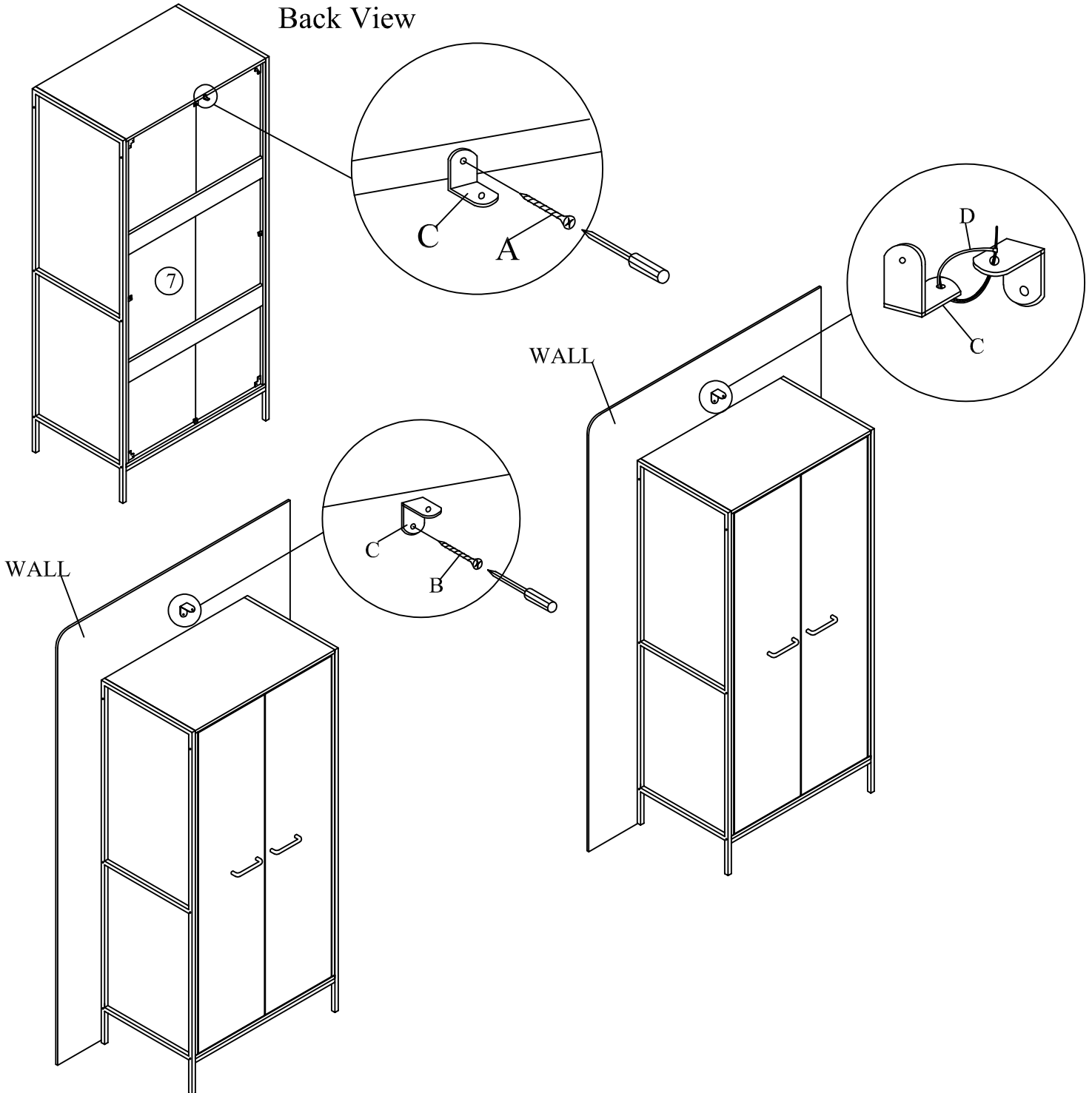
Back View



DO NOT use any power tools as this may damage the frame and will invalidate any claim.

<p>Anti - Tipping</p>	<p>(A)</p>  <p>CSK Screw M3.5x16mm 1PC</p>	<p>(B)</p>  <p>CSK Screw M4x50mm 1PC</p>	<p>(C)</p>  <p>L BRACKET 2PCS</p>	<p>(D)</p>  <p>CABLE TIE 1PC</p>		
-----------------------	---	---	--	---	--	---

*Birlea Furniture advise you to use the provided anti tipping bracket to further enhance the safety of this product .



DO NOT use any power tools as this may damage the frame and will invalidate any claim.