



Birlea

Suppliers of inspiration

Assembly Instructions

Thank you for
purchasing a
Birlea product.

For a chance to win a Love 2 Shop voucher simply post a picture of your new product on your preferred social channels tagging Birlea Furniture and using the hashtag **#ShareYourStyle** and **#Birlea**. One winner will be selected at random each month.

To view our full terms and conditions please visit www.birlea.com

Are you happy with your purchase?

Yes: That's great, we would love to hear more from you. Please leave us a review on our social media channels or Trustpilot. Your feedback will be greatly appreciated.

No: If for any reason there is something missing, indifferent or incorrect with your order, please contact the retailer you purchased the item from. We will work with the retailer to resolve your issue as quickly as possible.



URBAN 4 DRAWER CHEST RUSTIC

Assembly Instructions

Before you begin...

1. Please check in your desired room of use.
2. Unpack all boxes and lay out each component on the floor.
3. Check your product for any damage that may be immediately obvious. If damage is identified, please contact your retailer.
4. Please read through these instructions thoroughly to ensure you have constructed your product correctly.

For Care and Maintenance of your product...

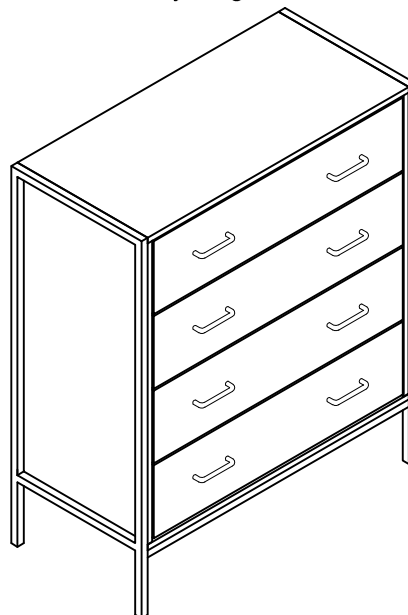
- Always assemble in your desired room of use.
- Always check all screw and fixings periodically to ensure they are still secure.
- Do not push or pull this product as it will cause damage.
- Always lift this product with a second person to prevent damage or injury.
- Keep any sharp objects away from this product.

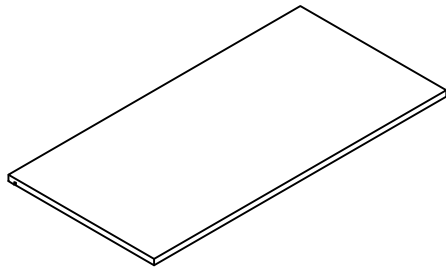
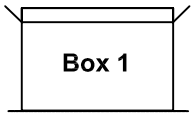
For your Health and Safety...

- Do not use this bed if you find missing, damaged or worn parts. Please contact your retailer.
- Please do not use this product until you have fully secured all fixings.
- Please keep all small components away from children.
- Always use on a level even surface.

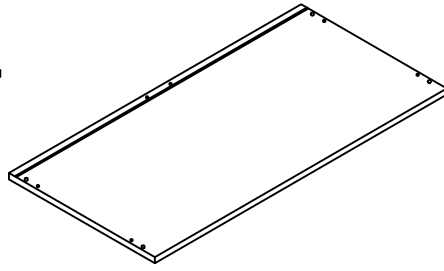
Also...

If your desired room of choice has a non-carpeted surface ensure please that you use some form of anti-slip protection and **do not** place directly on the wooden floor. This will prevent the item from moving and therefore collapsing which will void your guarantee...

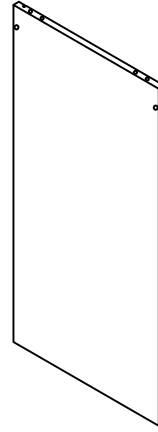




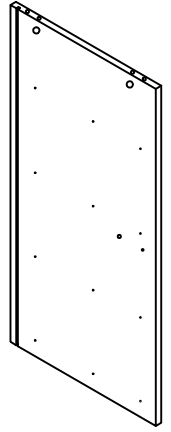
1. Top Panel (x1)



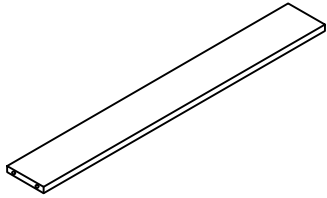
2. Bottom Panel (x1)



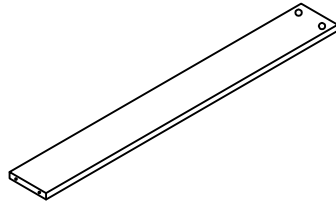
3. Left Side Panel (x1)



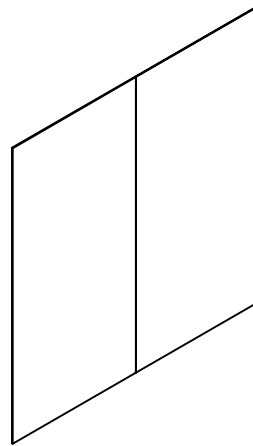
4. Right Side Panel (x1)



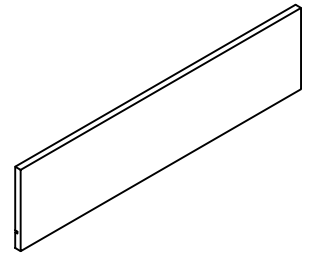
5. Front Support Panel (x1)



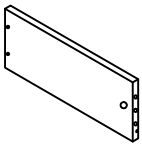
6. Back Support Panel (x1)



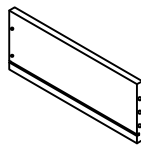
7. Back Panel (x2)



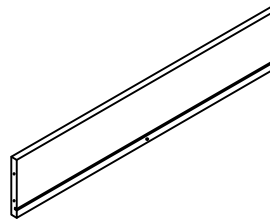
8. Drawer Front Panel (x4)



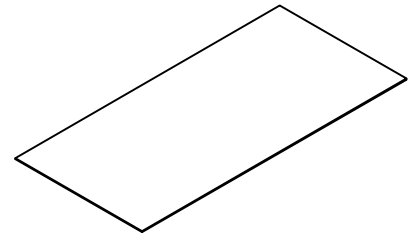
9. Drawer Left Side Panel (x4)



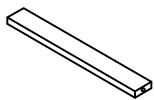
10. Drawer Right Side Panel (x4)



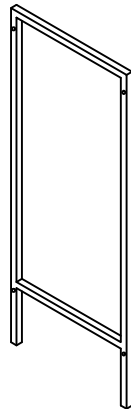
11. Drawer Back Panel (x4)



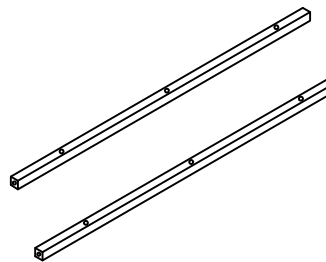
12. Drawer Bottom Panel (x4)



13. Drawer Bottom Support Panel (x4)



14. Metal Frame Leg (x2)

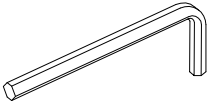


15. Metal Support Leg (x2)

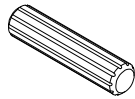


Hardware

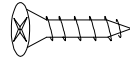
All fitting are stored within Box 1



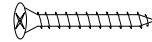
A.Allen Key (x1)



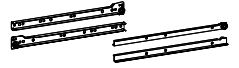
B.Plastic Dowel (x26)



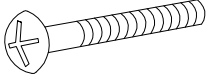
C.CSK Screw M3.5x16mm (x52)



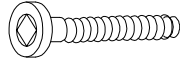
D.CSK Screw M4x50mm (x16)



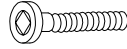
E.Drawer Slider (x4)



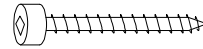
F.Handle Screw M4 x 20 RB (x16)



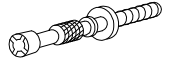
G.JCBC M6 x 50mm (x4)



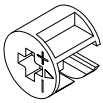
H.JCBC M6 x 30mm (x10)



I.JCBC W M6 x 40 (x6)



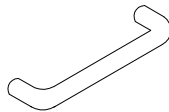
J.Mini Fix Bolt (x24)



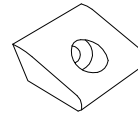
K.Mini Fix Housing (x24)



L.Mini Fix Cap (x24)



M.Handle (x8)

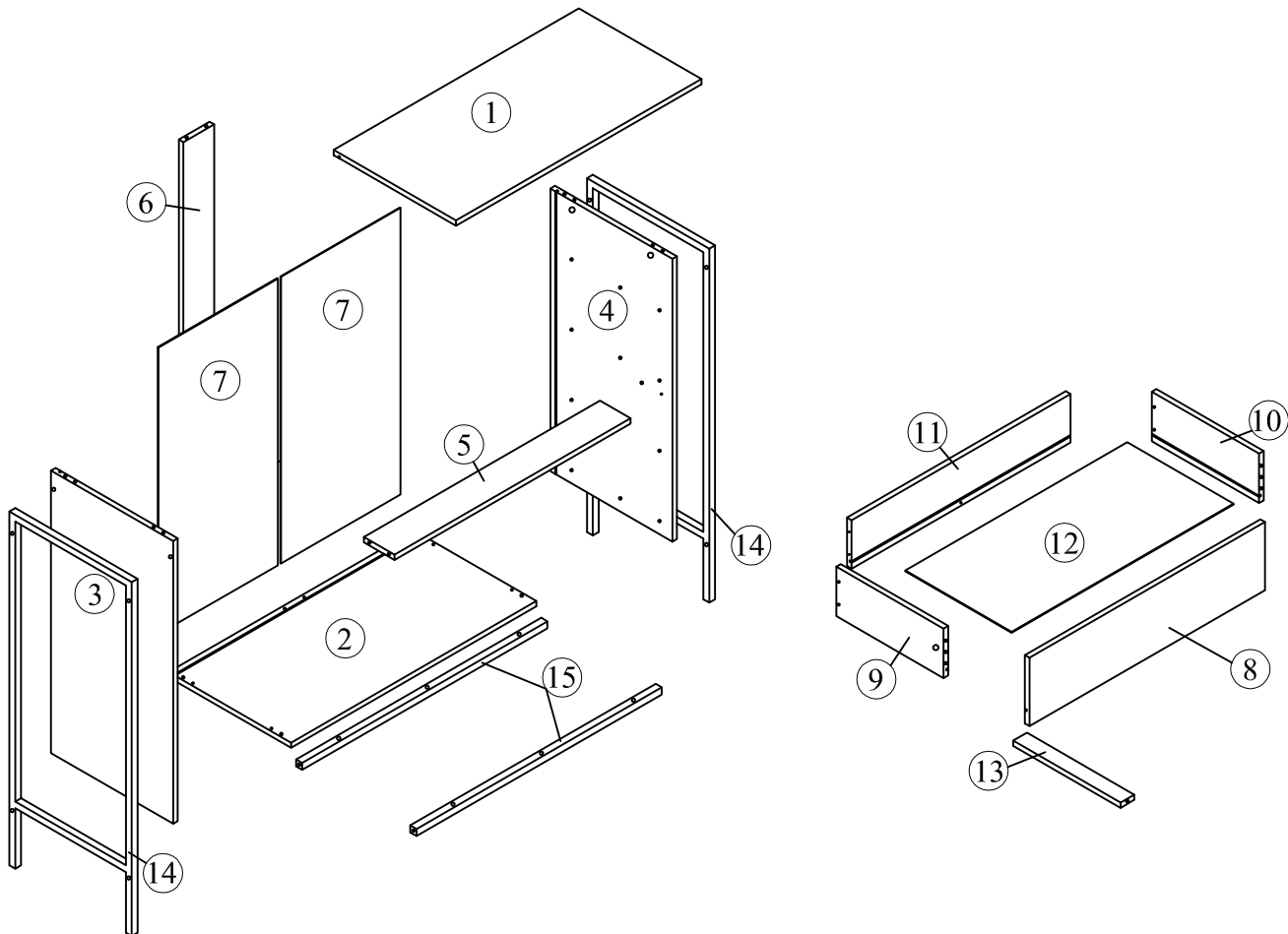


N.Stud Bracket (x4)

*You will need a screwdriver (not provided)

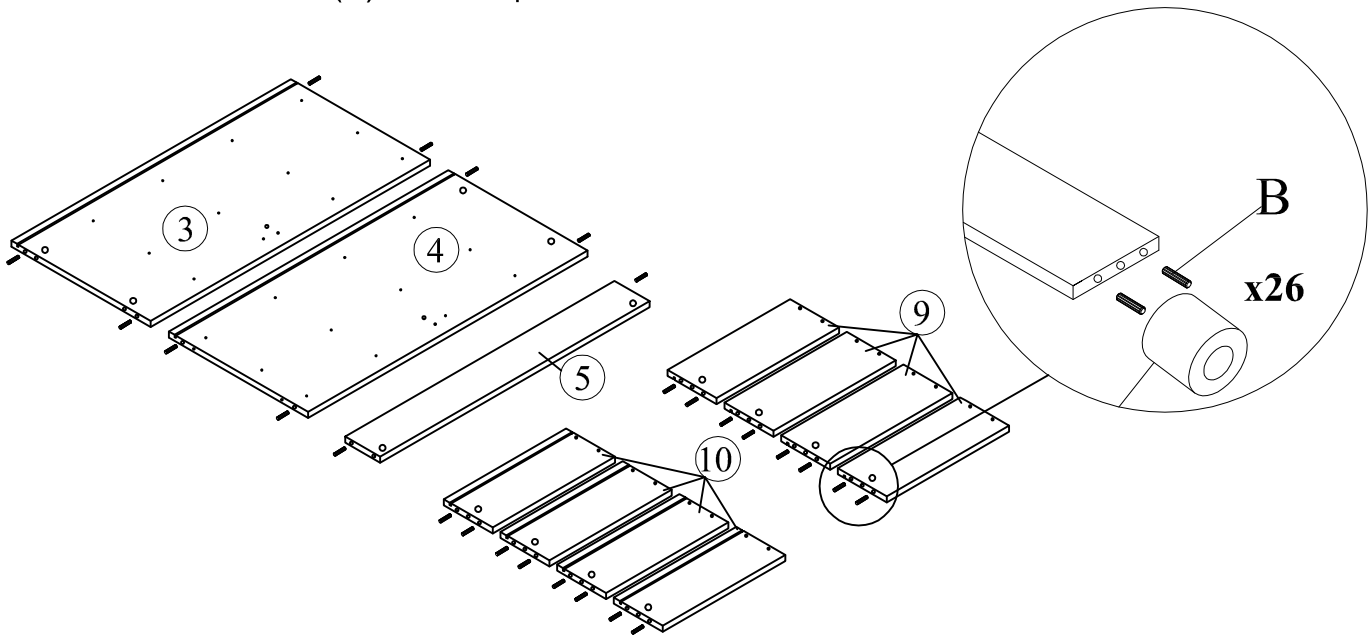
Step 1

Unpack all components from the boxes and check you are not missing anything.Please check these against the list on page 3 & 4.Should you identify any missing components,please contact the retailer you purchased the item from.



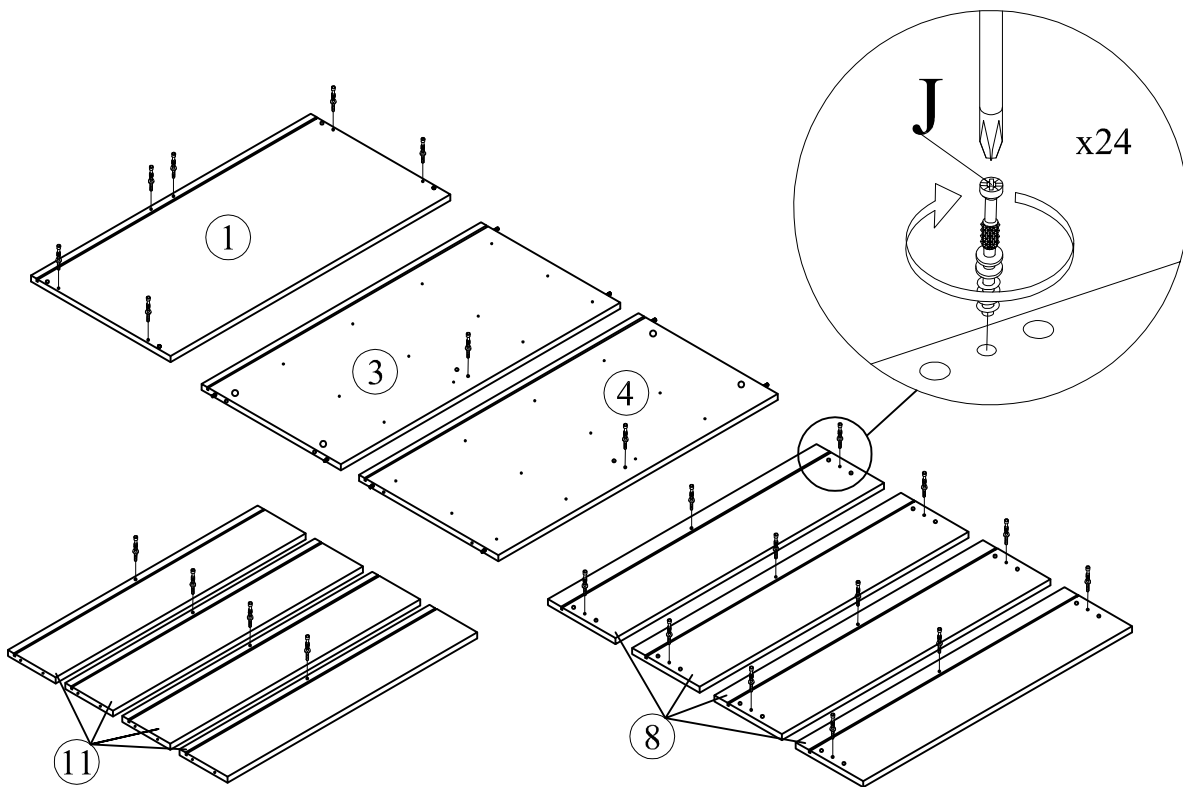
Step 2

Attach the 26x Dowel (B) to the all parts as shown.



Step 3

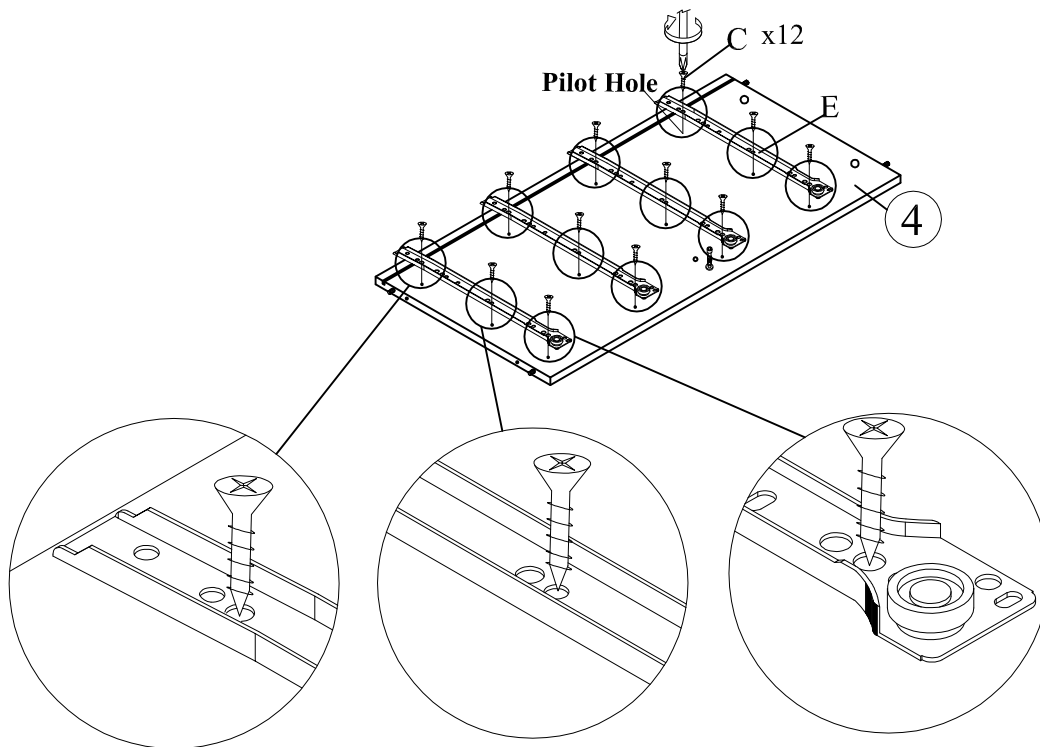
Attach the 24x Minifix Bolt (J) to the all parts as shown.



DO NOT use any power tools as this may damage the frame and will invalidate any claim.

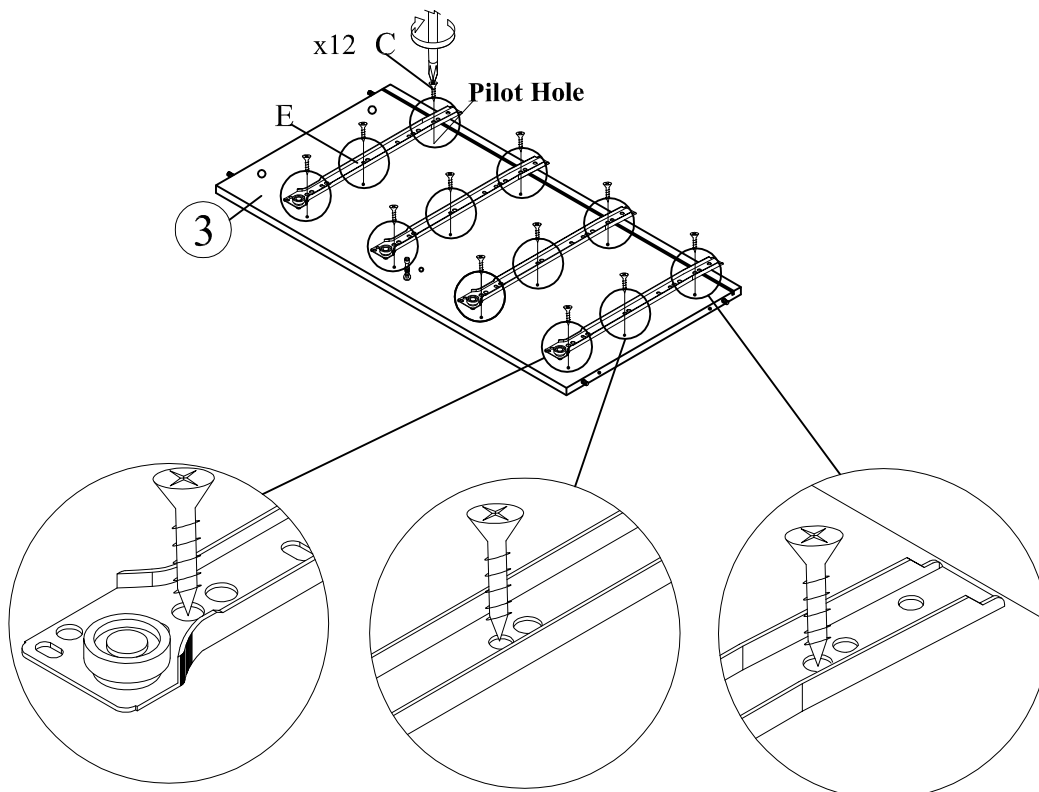
Step 4

Attach the 4x Drawer Slider (E) to 1x Right Side Panel (4) using 12x CSK Screw M3.5x16mm (C).



Step 5

Attach the 4x Drawer Slider (E) to 1x Left Side Panel (3) using 12x CSK Screw M3.5x16mm (C).

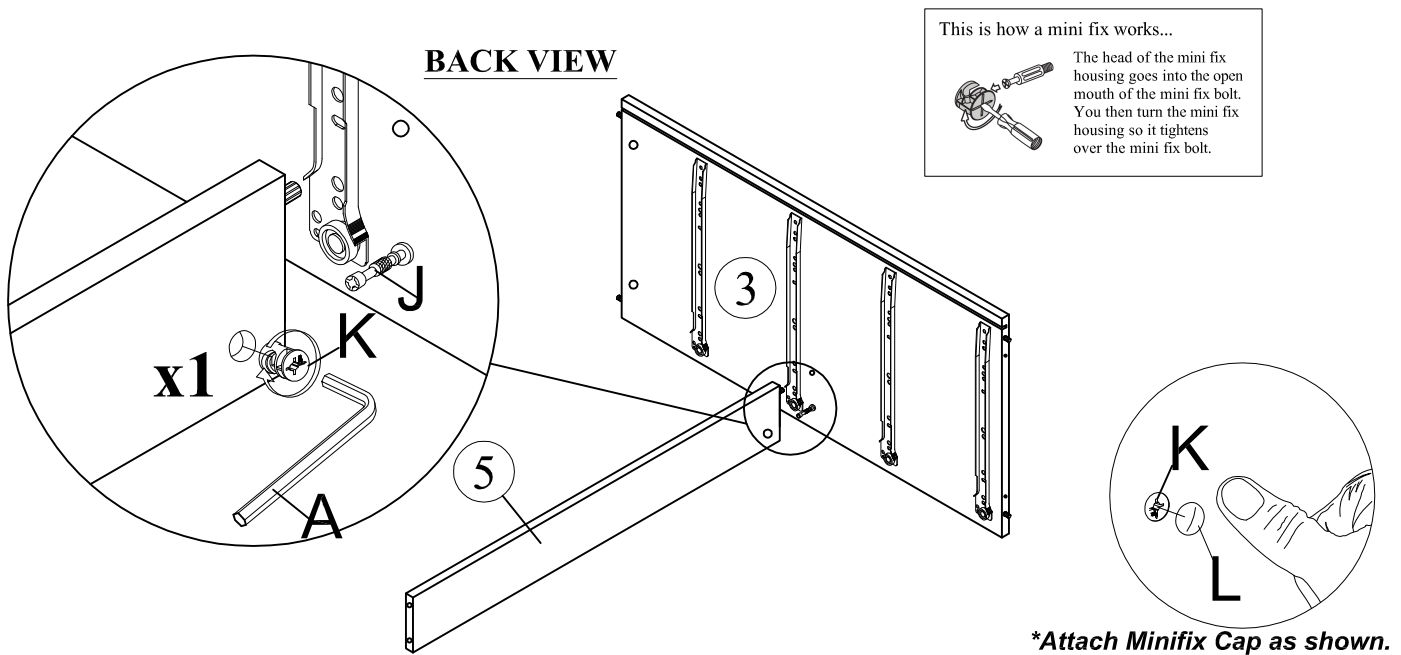


DO NOT use any power tools as this may damage the frame and will invalidate any claim.

Step 6

Attach the 1x Front Support Panel (5) to 1x Left Side Panel (3) using 1x Minifix Bolt (J) and 1x Minifix Housing (K) and 1x Minifix Cap (L). Turn the 1x Minifix Housing (K) to tighten using the 1x Allen Key (A) or screwdriver (not provided).

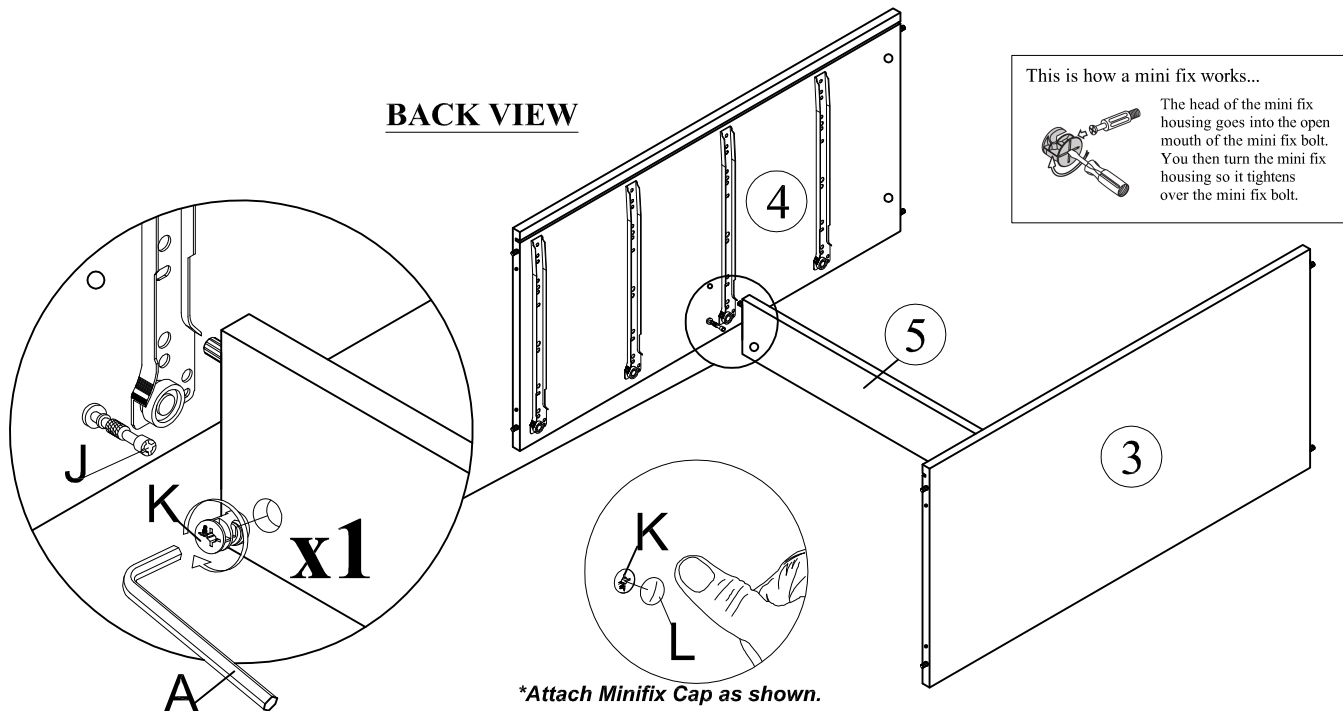
Cover the 1x Minifix Housing (K) using the 1x Minifix Cap (L) by pressing it into the Minifix House.



Step 7

Attach the 1x Front Support Panel (5) to 1x Right Side Panel (4) using 1x Minifix Bolt (J) and 1x Minifix Housing (K) and 1x Minifix Cap (L). Turn the 1x Minifix Housing (K) to tighten using the 1x Allen Key (A) or screwdriver (not provided).

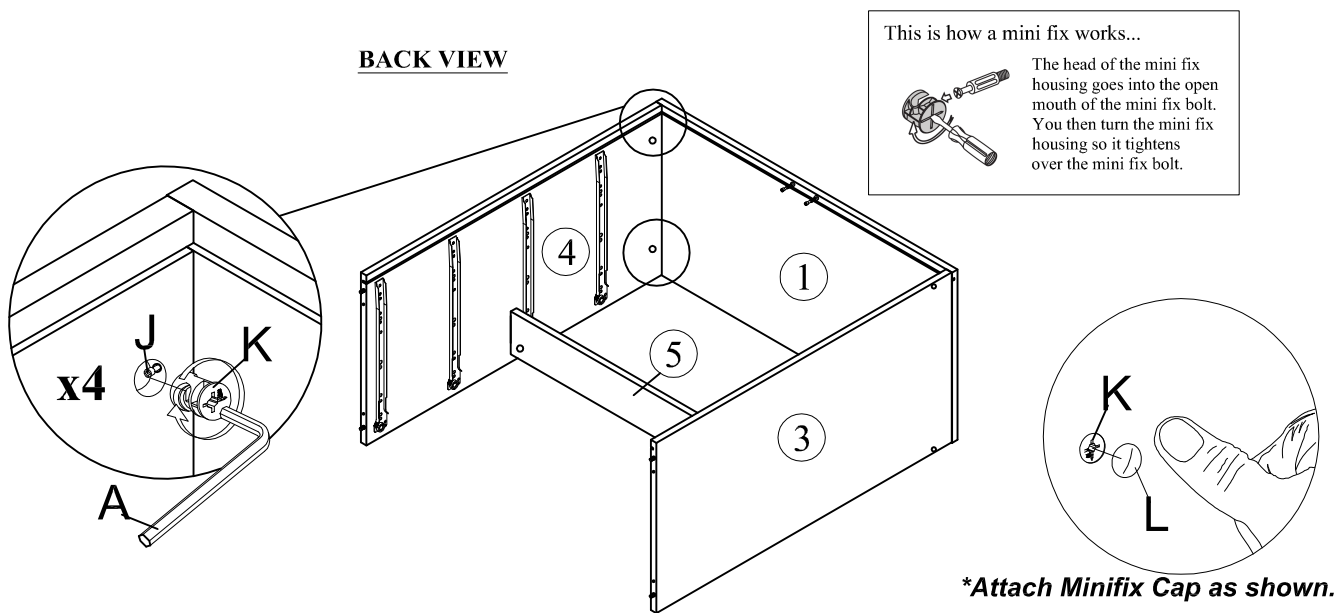
Cover the 1x Minifix Housing (K) using the 1x Minifix Cap (L) by pressing it into the Minifix House.



DO NOT use any power tools as this may damage the frame and will invalidate any claim.

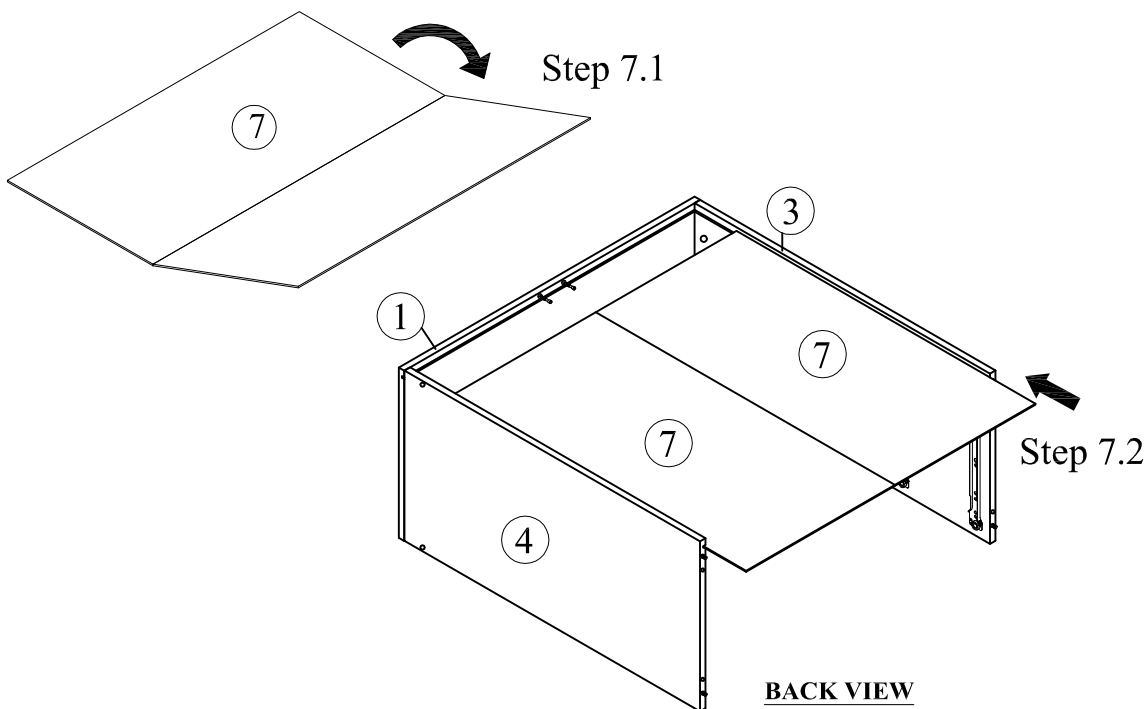
Step 8

Attach the 1x Top Panel (1) to 1x Left Side Panel (3) and 1x Right Side Panel (4) using 4x Minifix Bolt (J) and 4x Minifix Housing (K) and 4x Minifix Cap (L). Turn the 4x Minifix Housing (K) to tighten using the 1x Allen Key (A) or screwdriver (not provided). Cover the 4x Minifix Housing (K) using the 4x Minifix Cap (L) by pressing it into the Minifix House.



Step 9

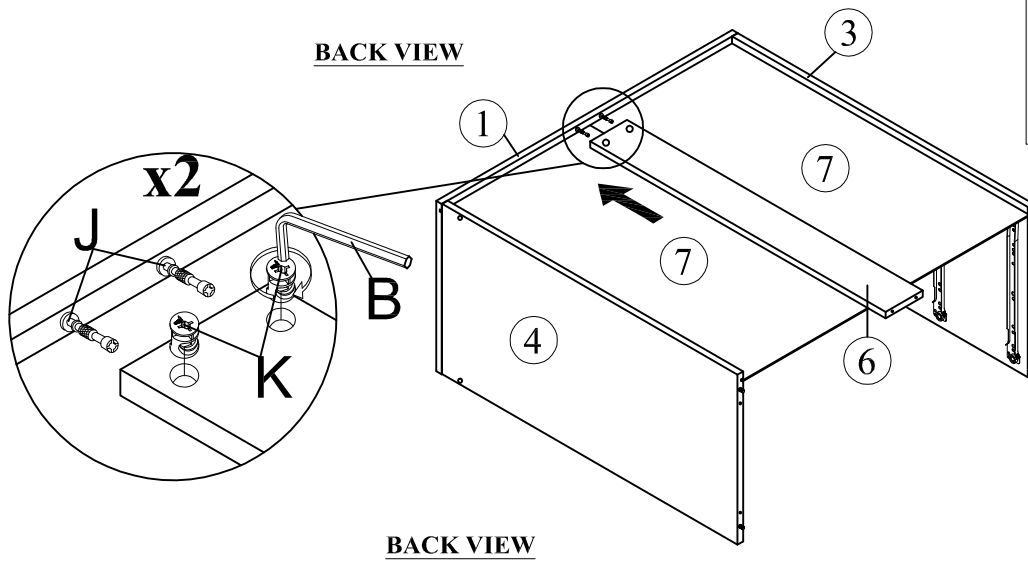
Slot the 2x Back Panel (7) to 1x Right Side Panel (4) and 1x Left Side Panel (3).



DO NOT use any power tools as this may damage the frame and will invalidate any claim.

Step 10

Attach the 1x Back Support Panel (6) to 1x Top Panel (1) using 2x Minifix Bolt (J) and 2x Minifix Housing (K) and 2x Minifix Cap (L). Turn the 2x Minifix Housing (K) to tighten using the 1x Allen Key (A) or screwdriver (not provided). Cover the 2x Minifix Housing (K) using the 2x Minifix Cap (L) by pressing it into the Minifix House.

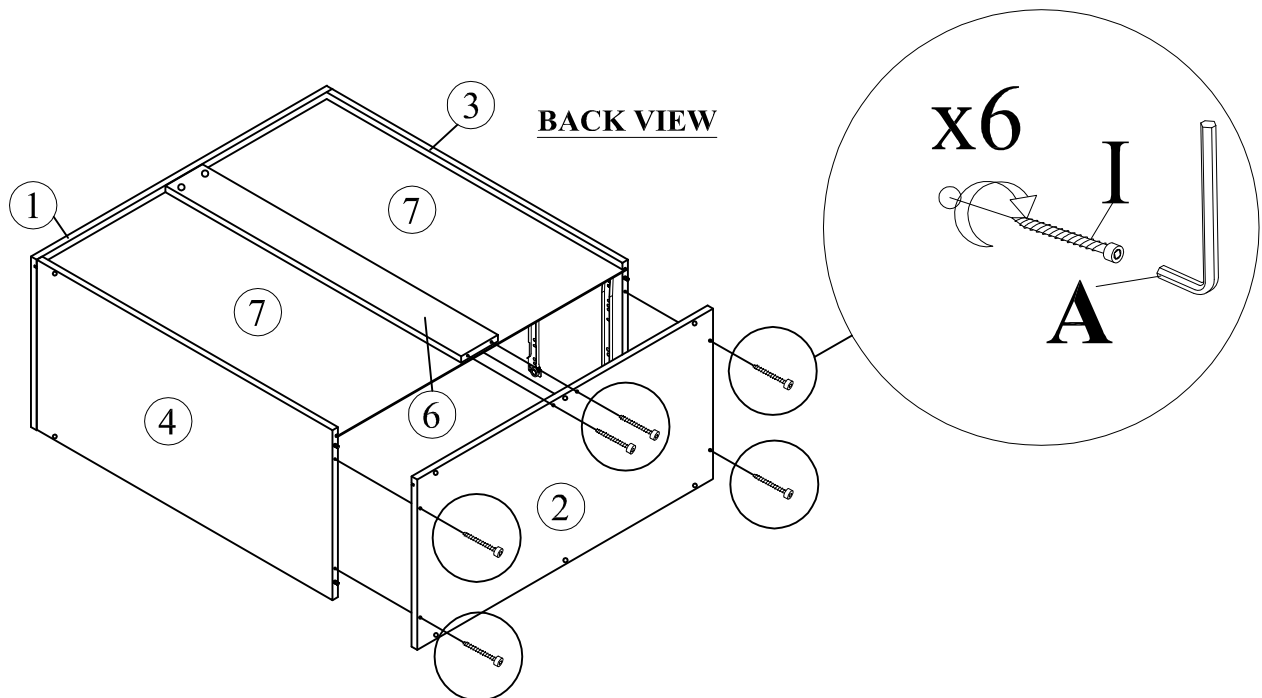


This is how a mini fix works...
The head of the mini fix housing goes into the open mouth of the mini fix bolt. You then turn the mini fix housing so it tightens over the mini fix bolt.

**Attach Minifix Cap as shown.*

Step 11

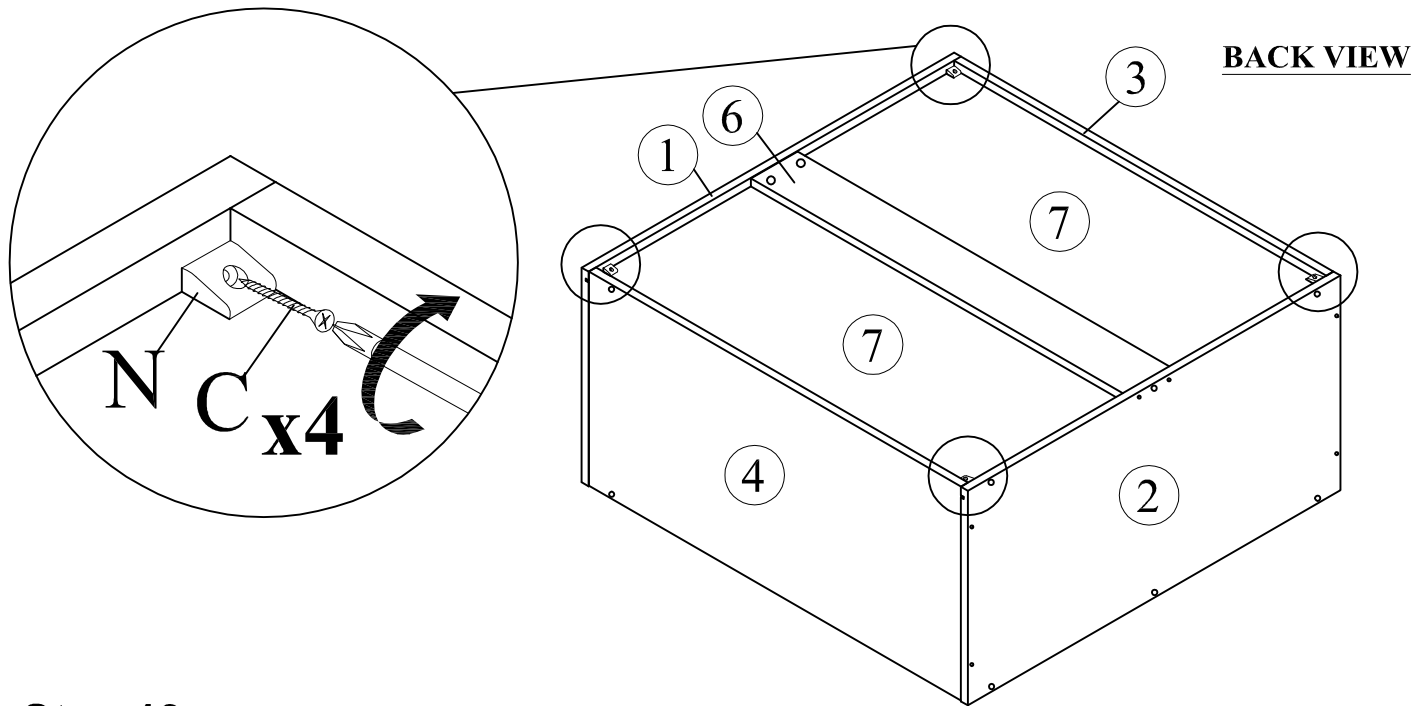
Attach 1x Bottom Panel (2) to 1x Right Side Panel (3) and 1x Left Side Panel (3) and 1x Back Support Panel (6). Tighten with 6x JCBC W M6 x 40mm (I) using the 1x Allen Key (A).



DO NOT use any power tools as this may damage the frame and will invalidate any claim.

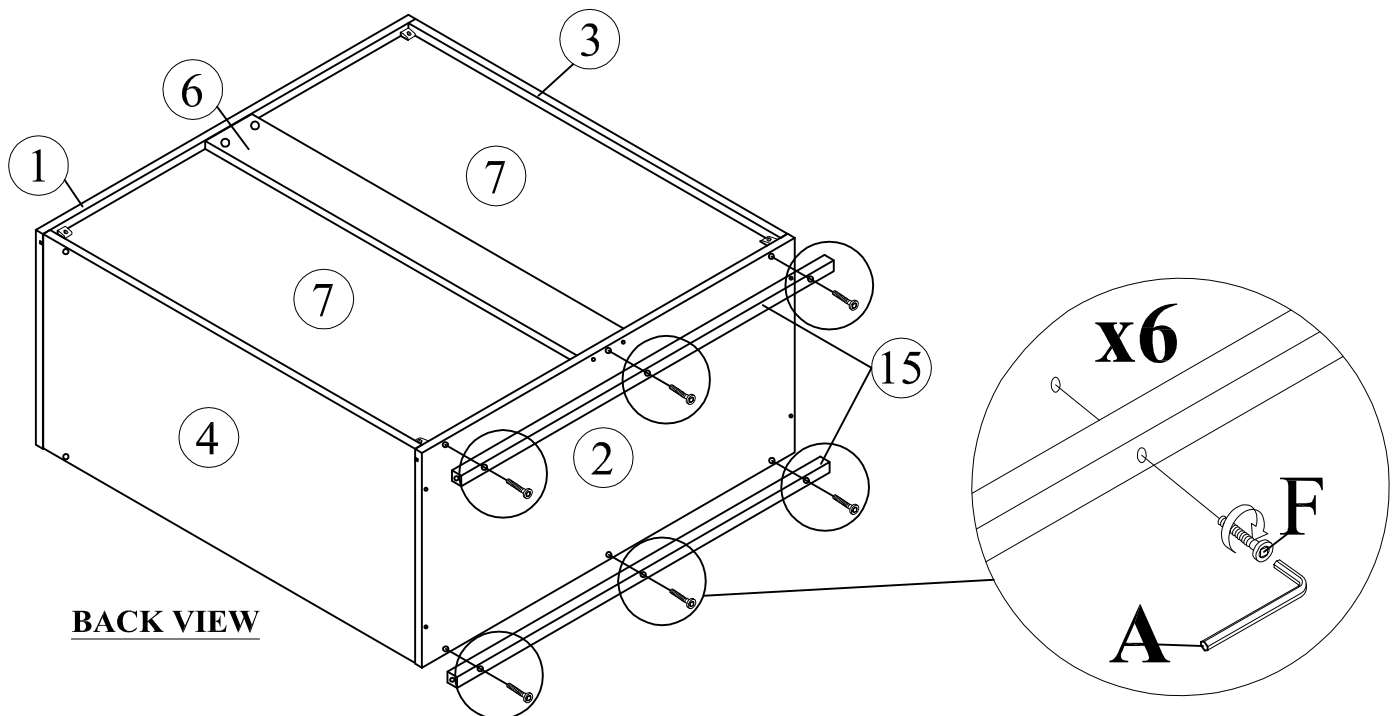
Step 12

Attach 4x Stub Bracket (N) to 2x Back Panel (7). Tighten with 4x CSK Screw M3.5x16mm (C) using screwdriver (Not Provided).



Step 13

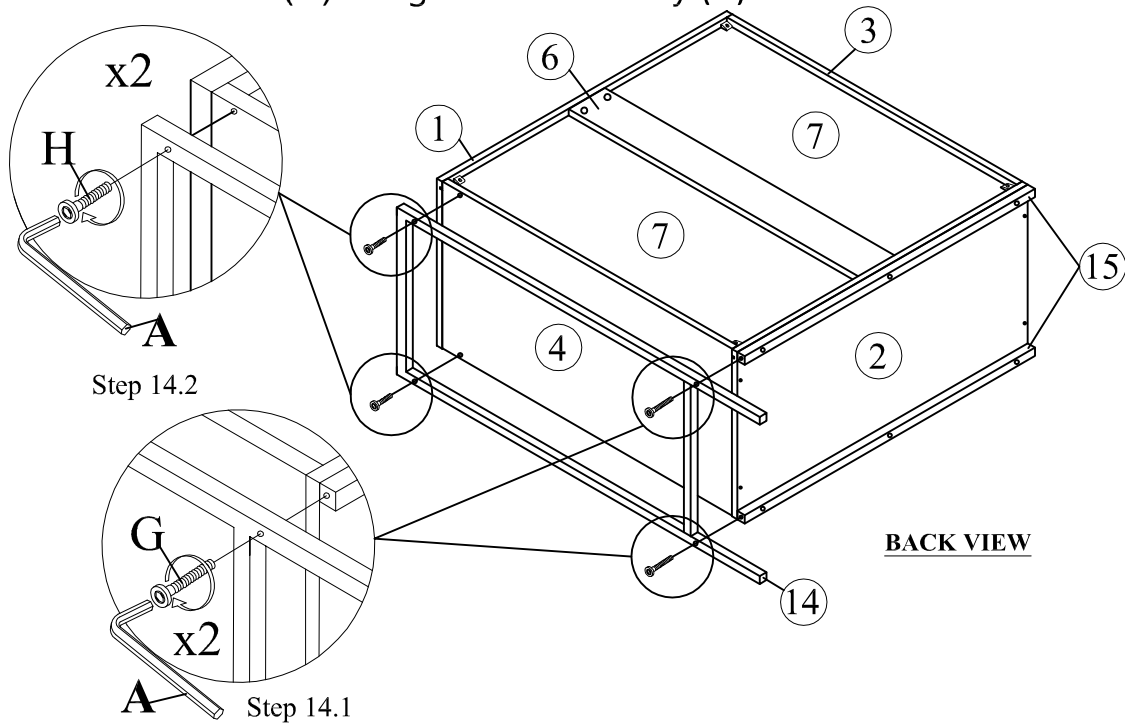
Attach the 2x Metal Support Legs (15) to 1x Bottom Panel (2) and tighten the 6x JCBC M6 x 30mm (F) using the 1x Allen Key (A).



DO NOT use any power tools as this may damage the frame and will invalidate any claim.

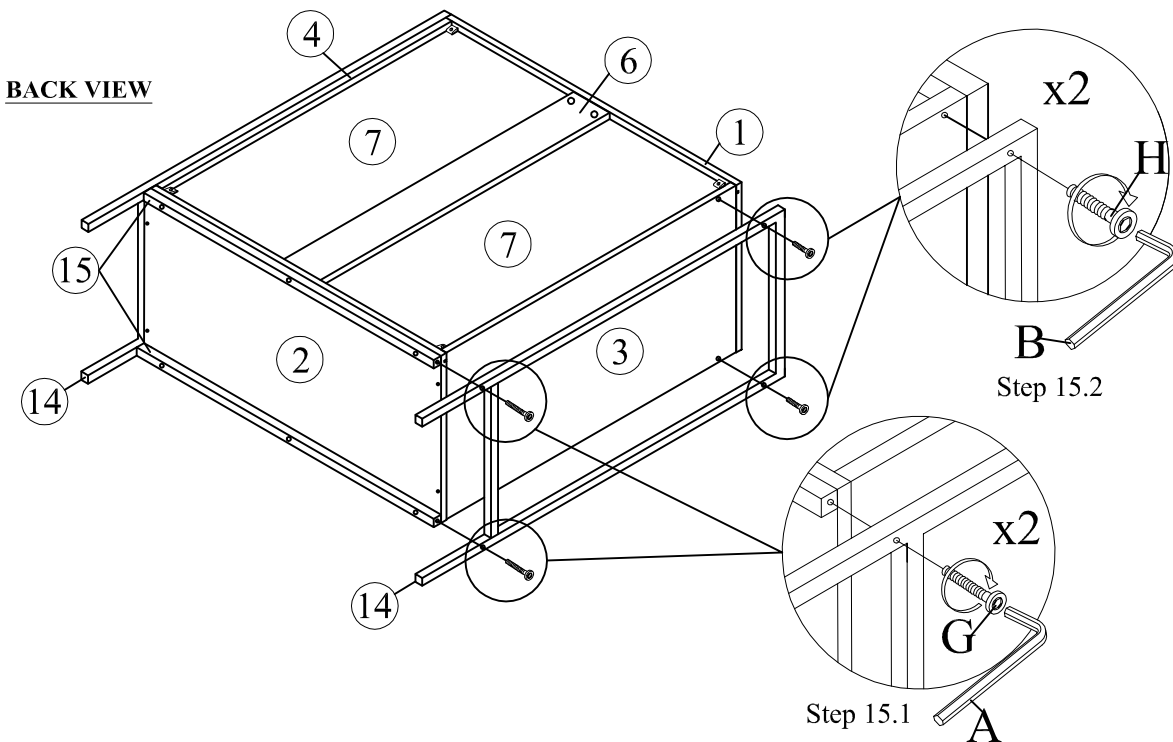
Step 14

Attach 1x Metal Legs (**14**) to 1x Right Side Panel (**4**). Tighten with 2x JCBC M6 x 30mm (**H**) and 2x JCBC M6 x 50mm (**G**) using the 1x Allen Key (**A**).



Step 15

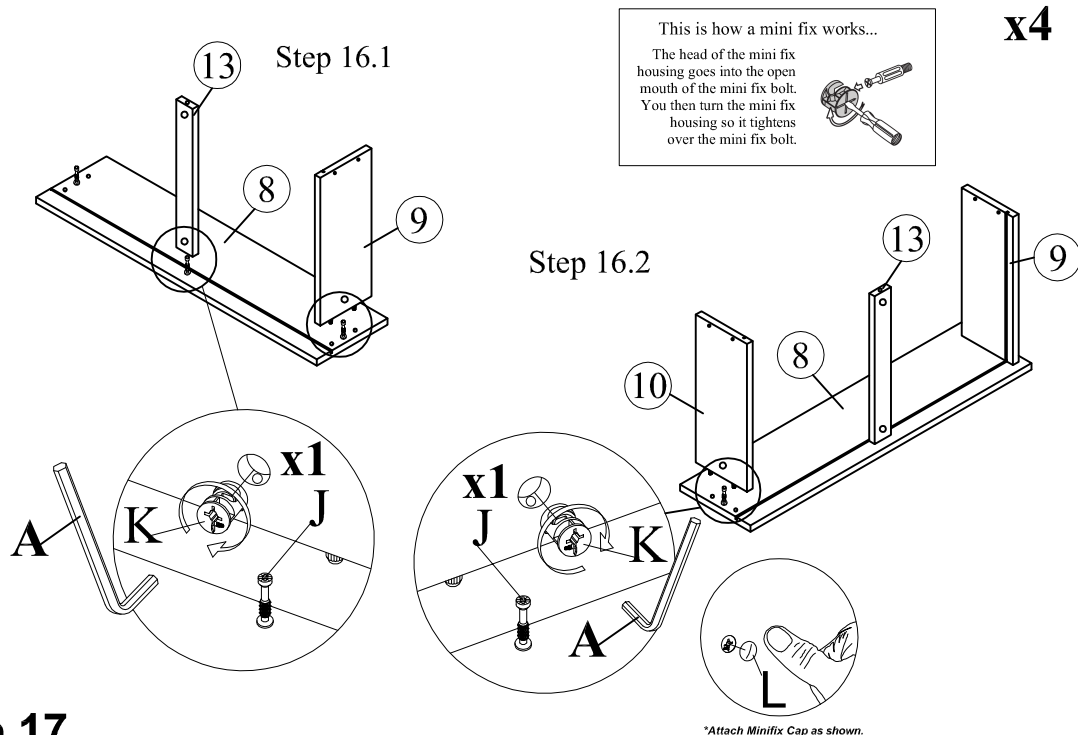
Attach 1x Metal Legs (**14**) to 1x Left Side Panel (**3**). Tighten with 2x JCBC M6 x 30mm (**H**) and 2x JCBC M6 x 50mm (**G**) using the 1x Allen Key (**A**).



DO NOT use any power tools as this may damage the frame and will invalidate any claim.

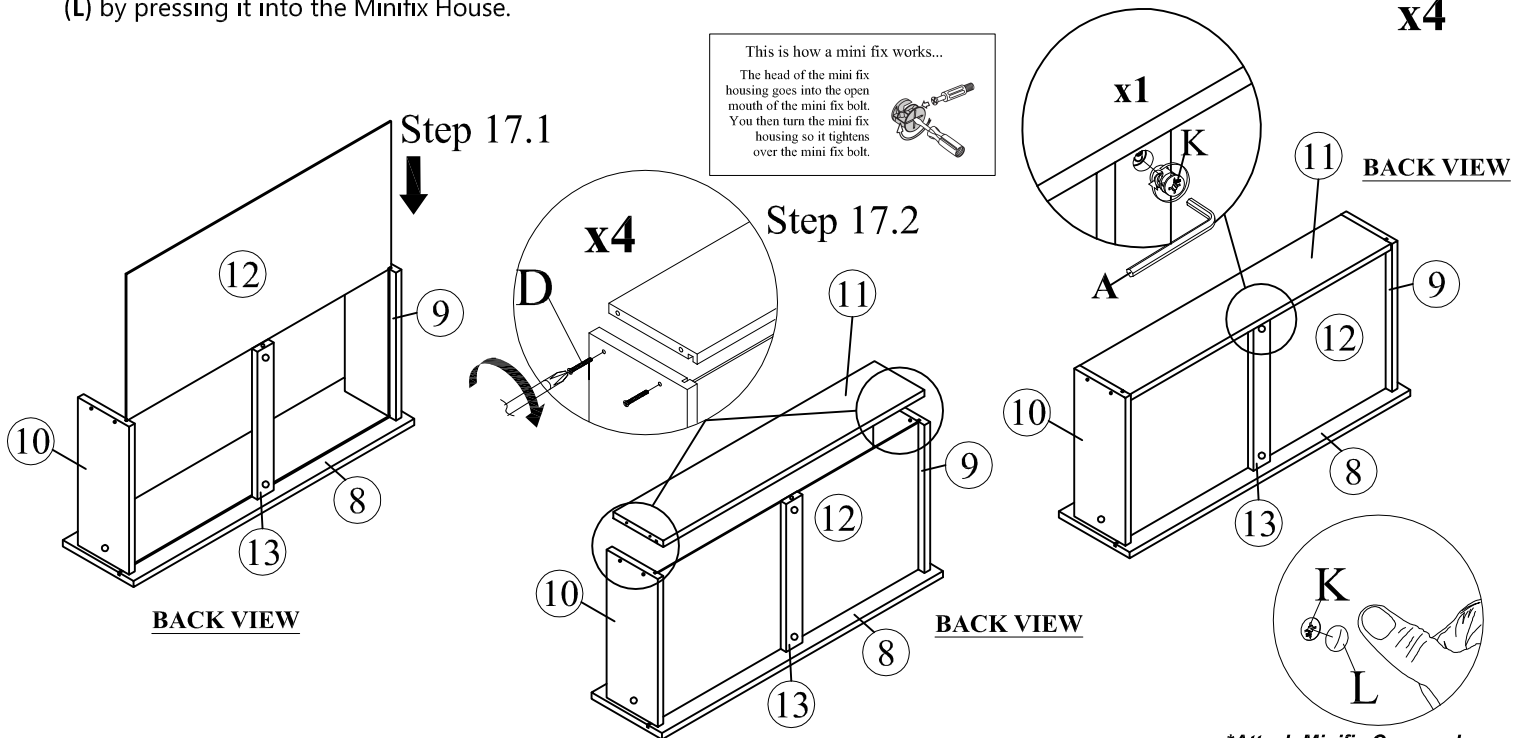
Step 16

Attach the 4x Drawer Side Panel (R) (10), 4x Drawer Side Panel (L) (9) and 4x Drawer Support Bar (13) to 4x Drawer Front Panel (8) using 12x Minifix Bolt (J) and 12x Minifix Housing (K) and 12x Minifix Cap (L). Turn the 12x Minifix Housing (K) to tighten using the 1x Allen Key (A) or screwdriver (not Provided). Cover the 12x Minifix Housing (K) using the 12x Minifix Cap (L) by pressing it into the Minifix House.



Step 17

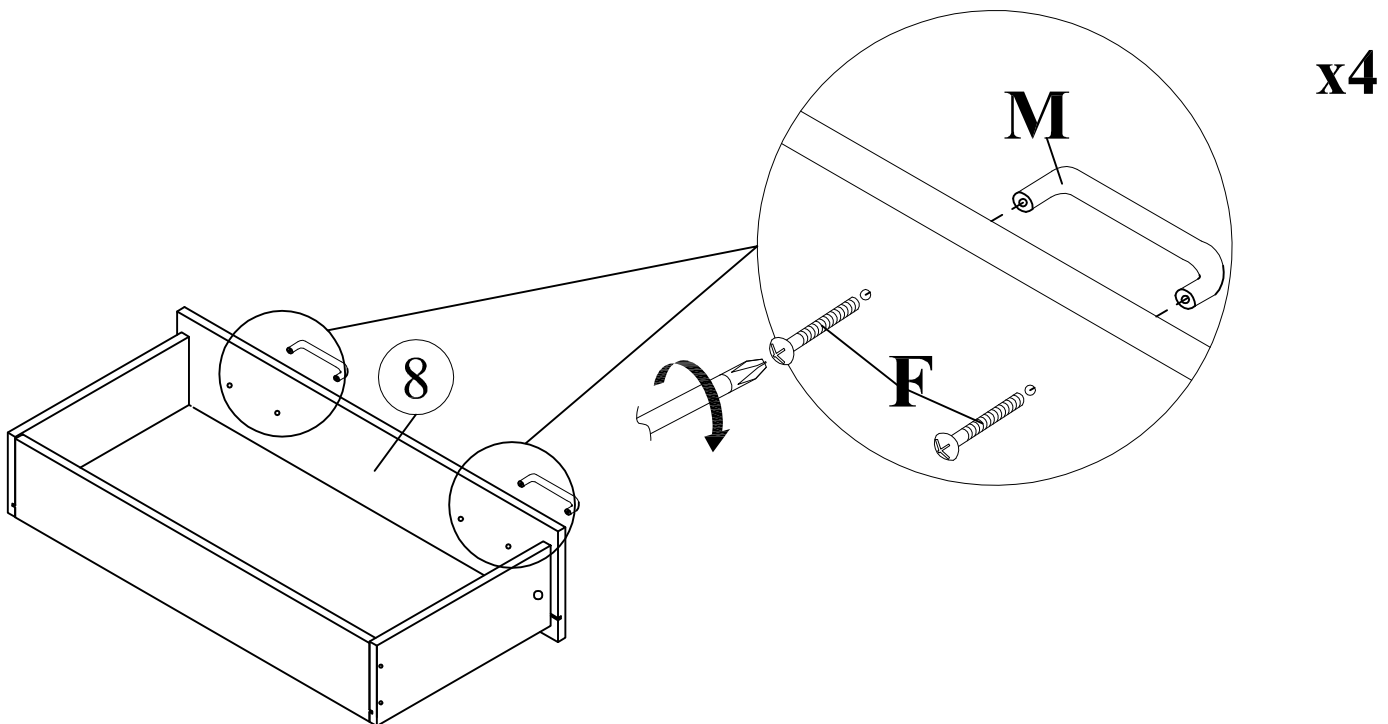
Slot 4x Bottom Panel (12) to 4x Drawer Side Panel (R) (10), 4x Drawer Side Panel (L) (9) then attach 4x Drawer Back Panel (11) to 4x Drawer Support Bar (13). Tighten using 16x CSK Screw M4x50mm (D) with a screwdriver (not Provided) and tighten 4x Drawer Support Bar (13) using 4x Minifix Bolt (J) and 4x Minifix Housing (K) and 4x Minifix Cap (L). Turn the 4x Minifix Housing (K) to tighten using the 1x Allen Key (A) or screwdriver (not Provided). Cover the 4x Minifix Housing (K) using the 4x Minifix Cap (L) by pressing it into the Minifix House.



DO NOT use any power tools as this may damage the frame and will invalidate any claim.

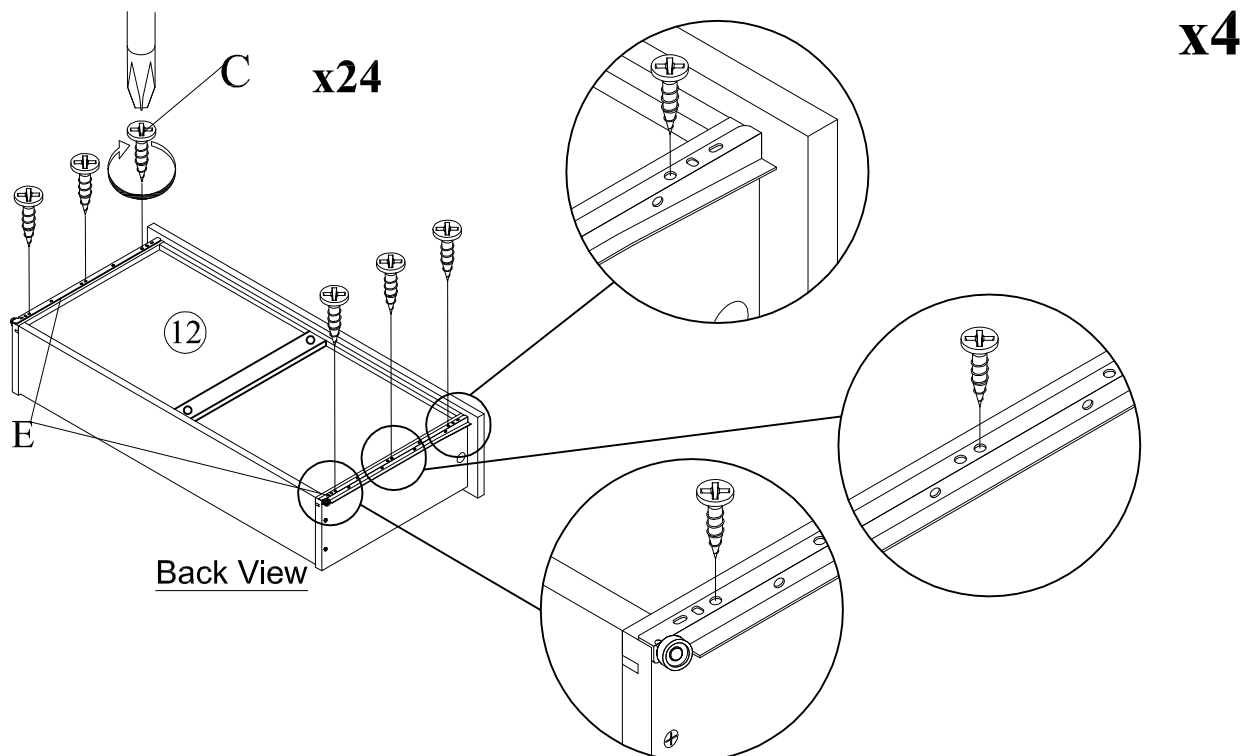
Step 18

Tighten the 16x Handle Screw M4 x 20 (F) to 8x U Handle (M) at 1x Drawer Front Panel (8). All tighten with a screwdriver (not Provided).



Step 19

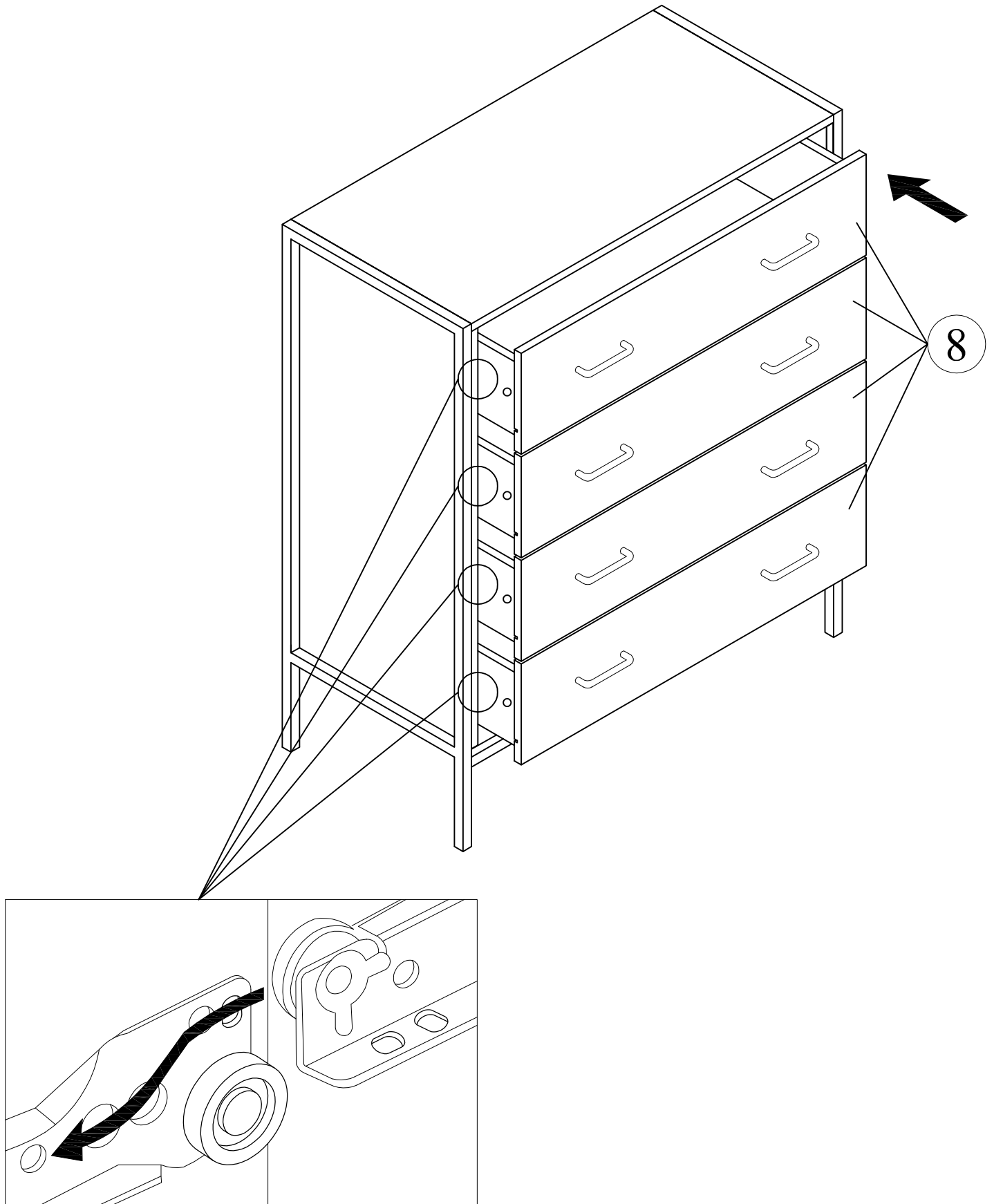
Tighten the 24x CSK Screw M3.5x16mm (C) to 4x Drawer Slider (E) and to the Side Panel (L/R) as shown. All tighten with a screwdriver (not Provided).



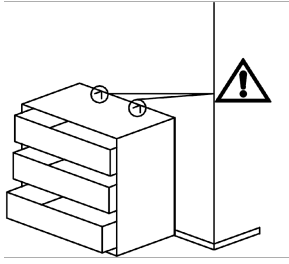
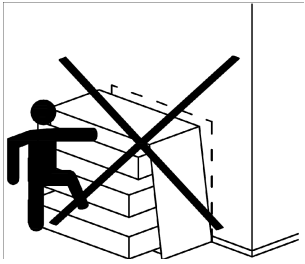

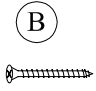
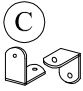

DO NOT use any power tools as this may damage the frame and will invalidate any claim.

Step 20

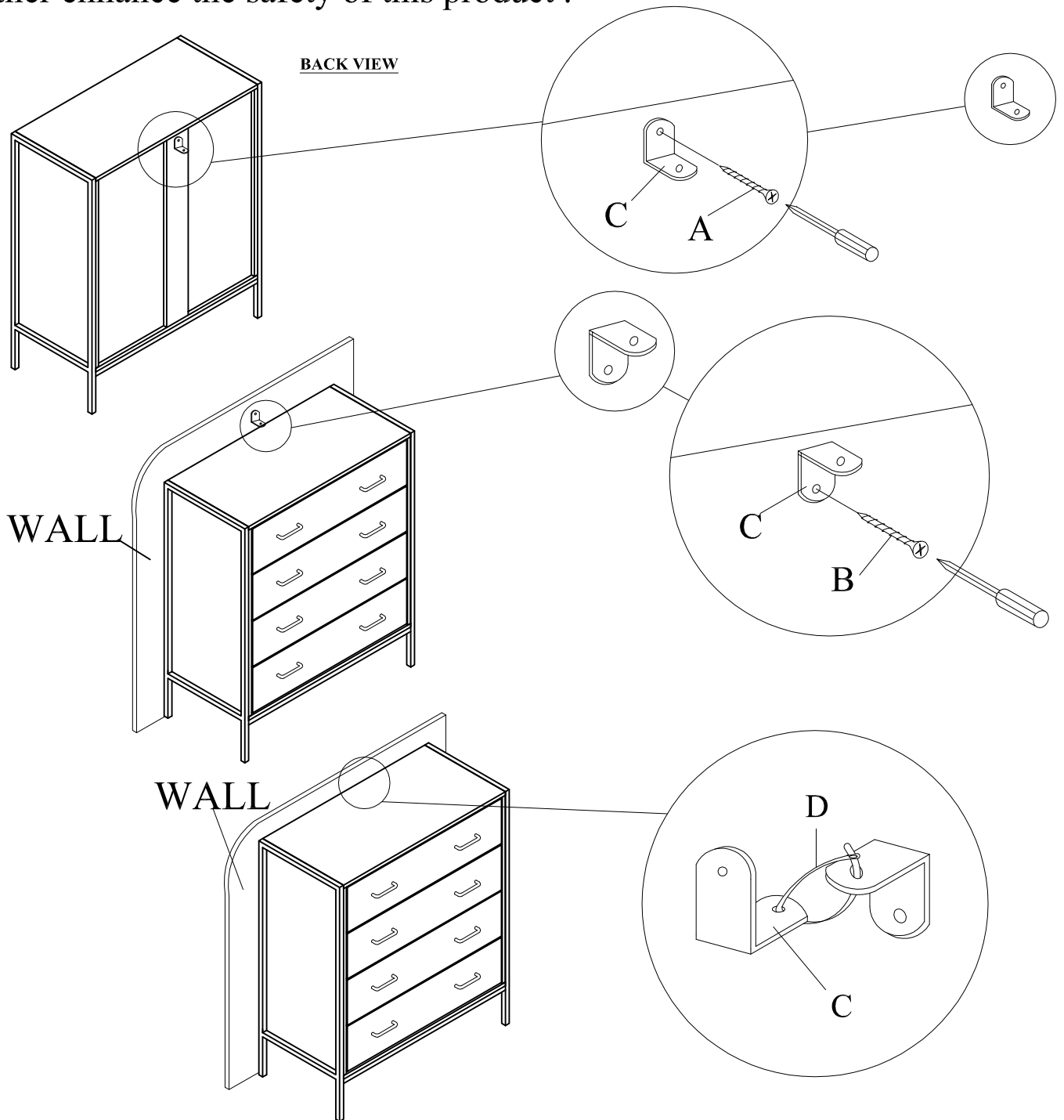
Insert the drawer on the slider as shown.



DO NOT use any power tools as this may damage the frame and will invalidate any claim.

| | | | | | |
|-------------------|---|---|---|--|--|
| Anti - Tipping | (A) | (B) | (C) | (D) |   |
| |  CSK Screw M3.5x16mm 1PC |  CSK Screw M4x50mm 1PC |  L BRACKET 2PCS |  CABLE TIE 1PC | |

*Birlea Furniture advise you to use the provided anti tipping bracket to further enhance the safety of this product .



DO NOT use any power tools as this may damage the frame and will invalidate any claim.