

Birlea®

Assembly Instructions

Thank you for purchasing a Birlea product.

For a chance to win a Love 2 Shop voucher simply post a picture of your new product on your preferred social channels tagging Birlea Furniture and using the hashtag #ShareYourStyle and #Birlea. One winner will be selected at random each month.

To view our full terms and conditions please visit our website. www.birlea.com

Are you happy with your purchase?

Yes: That's great, we would love to hear more from you. Please leave us a review on our social media channels or Trustpilot. Your feedback will be greatly appreciated.

No: If for any reason there is something missing, indifferent or incorrect with your order, please contact the retailer you purchased the item from. We will work with the retailer to resolve your issue as quickly as possible.



www.birlea.com

ASSEMBLY INSTRUCTIONS AVA DRESSING TABLE

IMPORTANT: READ THESE INSTRUCTIONS CAREFULLY BEFORE ASSEMBLING OR USING YOUR AVA DRESSING TABLE

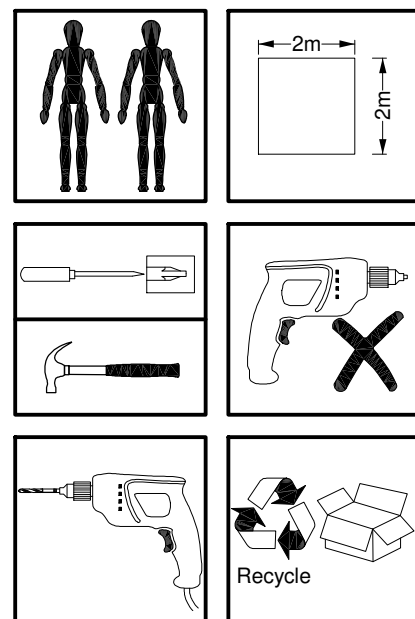
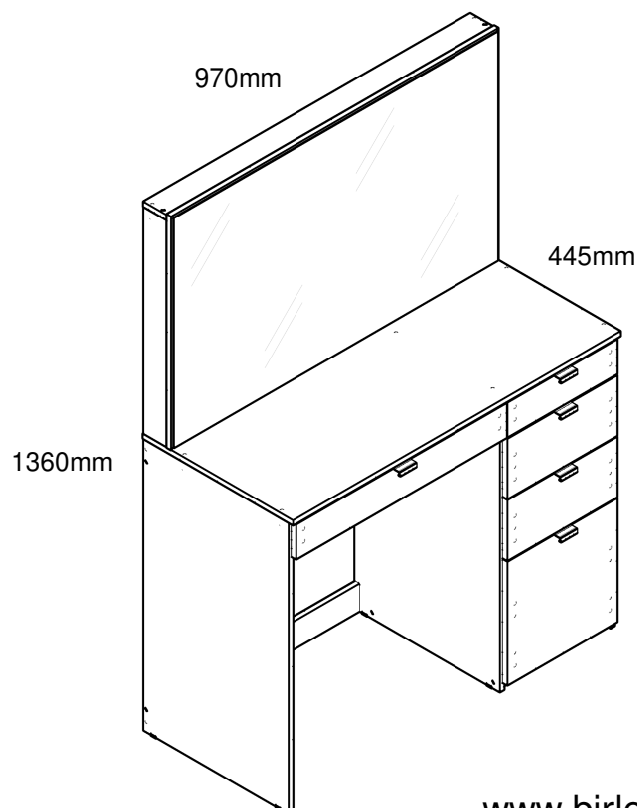
PLEASE KEEP THESE INSTRUCTIONS FOR FUTURE REFERENCE.

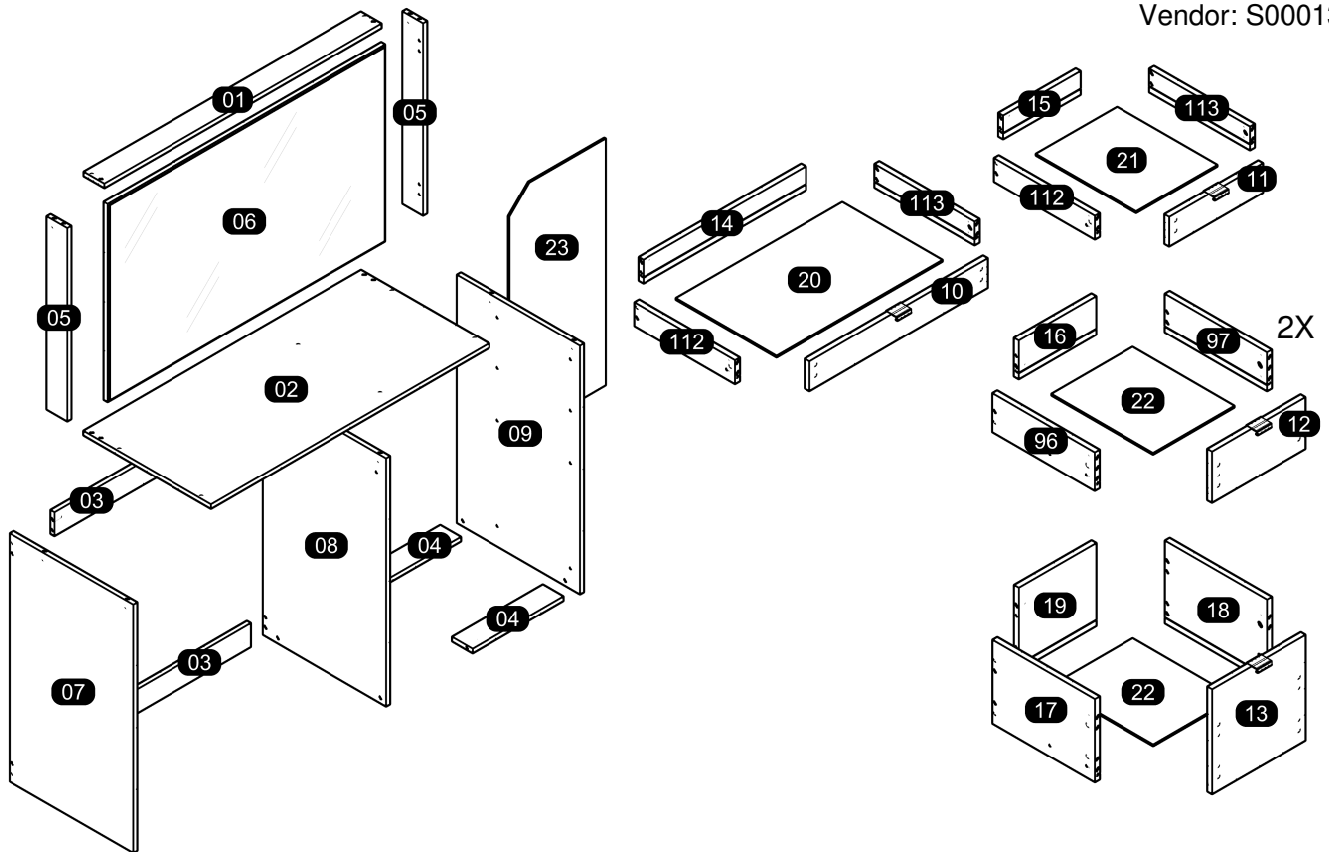
HEALTH & SAFETY:

DO NOT use this item if any parts are missing, damaged or worn.
DO NOT use this item unless all fixings are secured.
Please keep small parts out of reach of children
Always use on a level, even surface.

CARE & MAINTENANCE:

Assemble in the room of use
Assembly should be carried out with this item laying flat, not standing upright.
Assemble on a soft, clean surface to prevent damages.
To remove the printed numbers on the pieces, use the eraser provided
Periodically check all screws & fixings to ensure they are secure.
DO NOT push the item as this will damage the base.
Always lift the item with two people to reposition.
Keep any sharp objects away from the item.





Parts List

| Part | Description | Box | Qty |
|------|--------------------------|-----|-----|
| 01 | Upper Base | 1 | 1 |
| 02 | Top Panel | 1 | 1 |
| 03 | Back Plinth | 1 | 2 |
| 04 | Plinth | 1 | 2 |
| 05 | Upper Panel | 1 | 2 |
| 06 | Mirror Panel | 1 | 1 |
| 07 | Left Panel | 1 | 1 |
| 08 | Divider Panel | 1 | 1 |
| 09 | Right Panel | 1 | 1 |
| 10 | Upper Left Drawer Front | 1 | 1 |
| 11 | Upper Right Drawer Front | 1 | 1 |
| 12 | Middle Drawer Front | 1 | 2 |
| 13 | Lower Drawer Front | 1 | 1 |
| 14 | Upper Left Drawer Back | 1 | 1 |
| 15 | Upper Right Drawer Back | 1 | 1 |
| 16 | Middle Drawer Back | 1 | 2 |
| 17 | Lower Left Drawer Panel | 1 | 1 |
| 18 | Lower Right Drawer Panel | 1 | 1 |
| 19 | Lower Drawer Back | 1 | 1 |
| 20 | Upper Left Drawer Base | 1 | 1 |
| 21 | Upper Right Drawer Base | 1 | 1 |
| 22 | Lower Drawer Base | 1 | 3 |
| 23 | Back Panel | 1 | 1 |
| 96 | Left Drawer Panel | 1 | 2 |
| 97 | Right Drawer Panel | 1 | 2 |
| 112 | Left Drawer Panel | 1 | 2 |
| 113 | Right Drawer Panel | 1 | 2 |

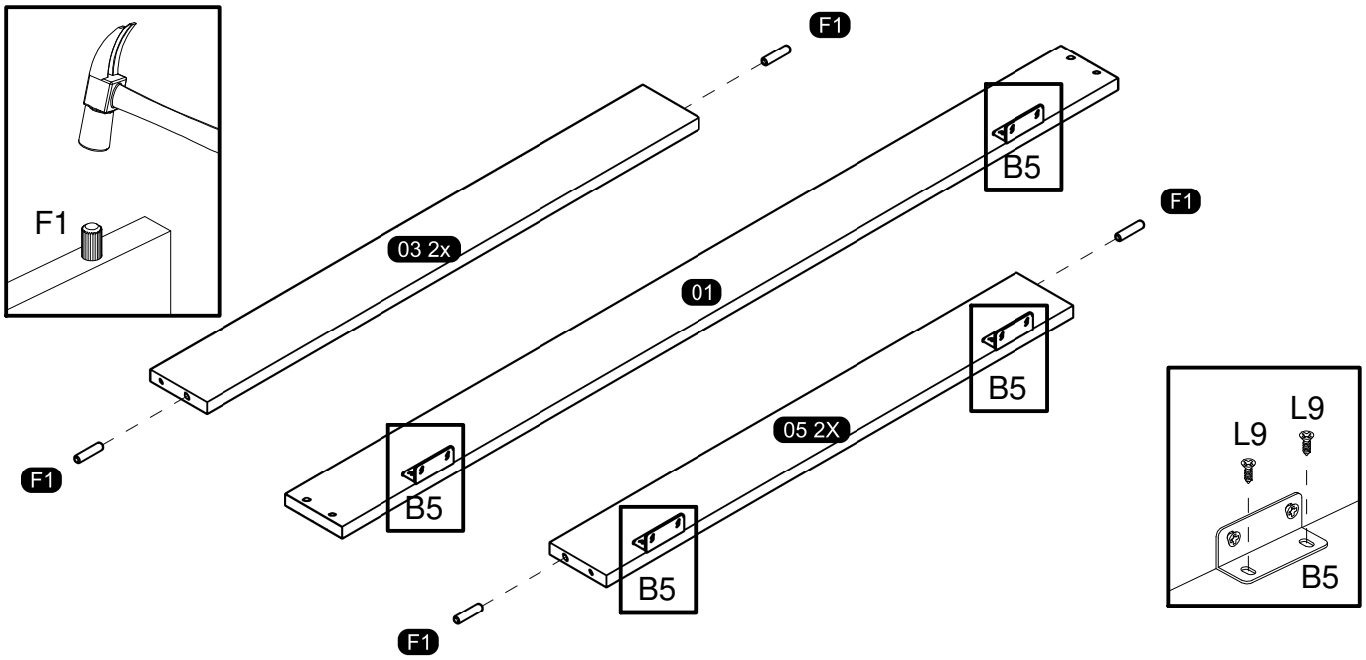
| Hardware List | | |
|---------------|---------------------------|-----|
| Part | Description | Qty |
| A | 5,0 x 60 mm Screw | 1 |
| A1 | Glue | 1 |
| A3 | Trapeze | 4 |
| B3 | Wall Plug | 1 |
| B5 | Metalic Angle Plates | 8 |
| E | 8 x 30 mm Wooden Dowel | 32 |
| E9 | Strap | 1 |
| F1 | 6 x 30 mm Wooden Dowel | 14 |
| G | Structural Screw | 12 |
| H | Allen Key | 1 |
| H13 | Smal Plastic Foot | 6 |
| I | Structural Screw Cover | 8 |
| J | Minifix Screw | 8 |
| L | Cam Lock | 8 |
| L9 | 3,5x12 mm Screw | 95 |
| L17 | 350 mm Telescopic Slide | 10 |
| M | Adhesive Screw Head Cover | 8 |
| N | 10 x 10 mm Tack | 28 |
| O | 4,5 x 45 mm Screw | 12 |
| P | 4,5 x 25 mm Screw | 4 |
| X4 | 32 mm Handle | 5 |
| Y18 | Zamac Bracket | 6 |

**** You will need a small mallet and a screwdriver for assembly.**

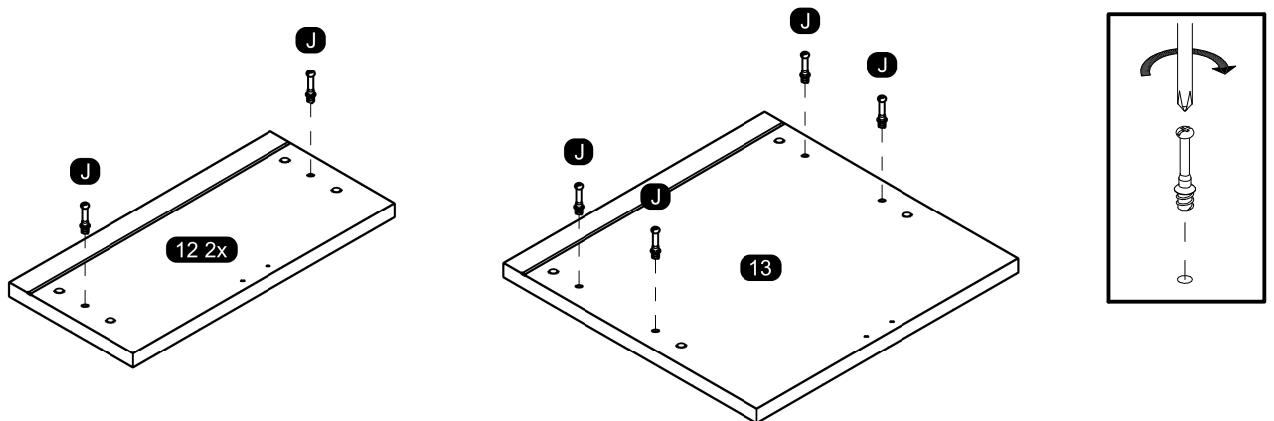
**** Some screws and wooden dowel may remain.**

**** Wall plug and screw is supplied to attach strap to the wall.**

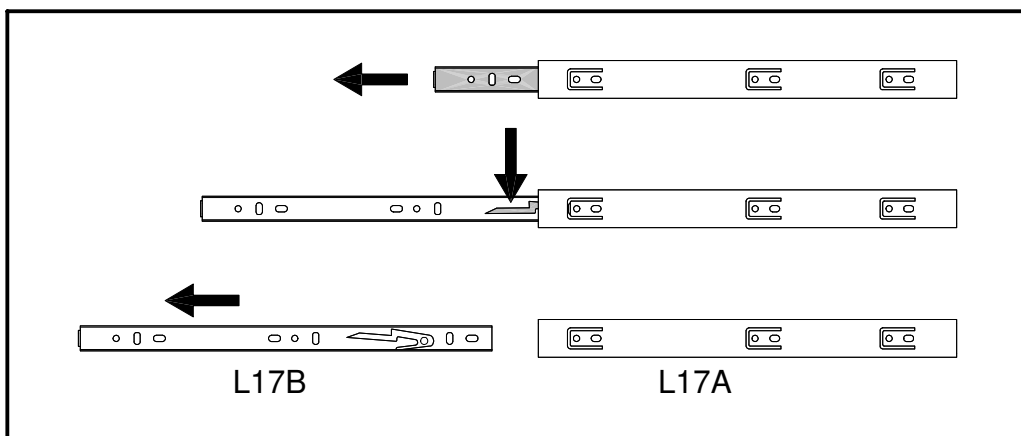
Step 1: Insert hardware part F1 using small mallet (not provided).
 Insert hardware part B5 using hardware part L9 and screwdriver (not provided).
DO NOT use any power tools as this may damage the frame and will invalidate any claim.



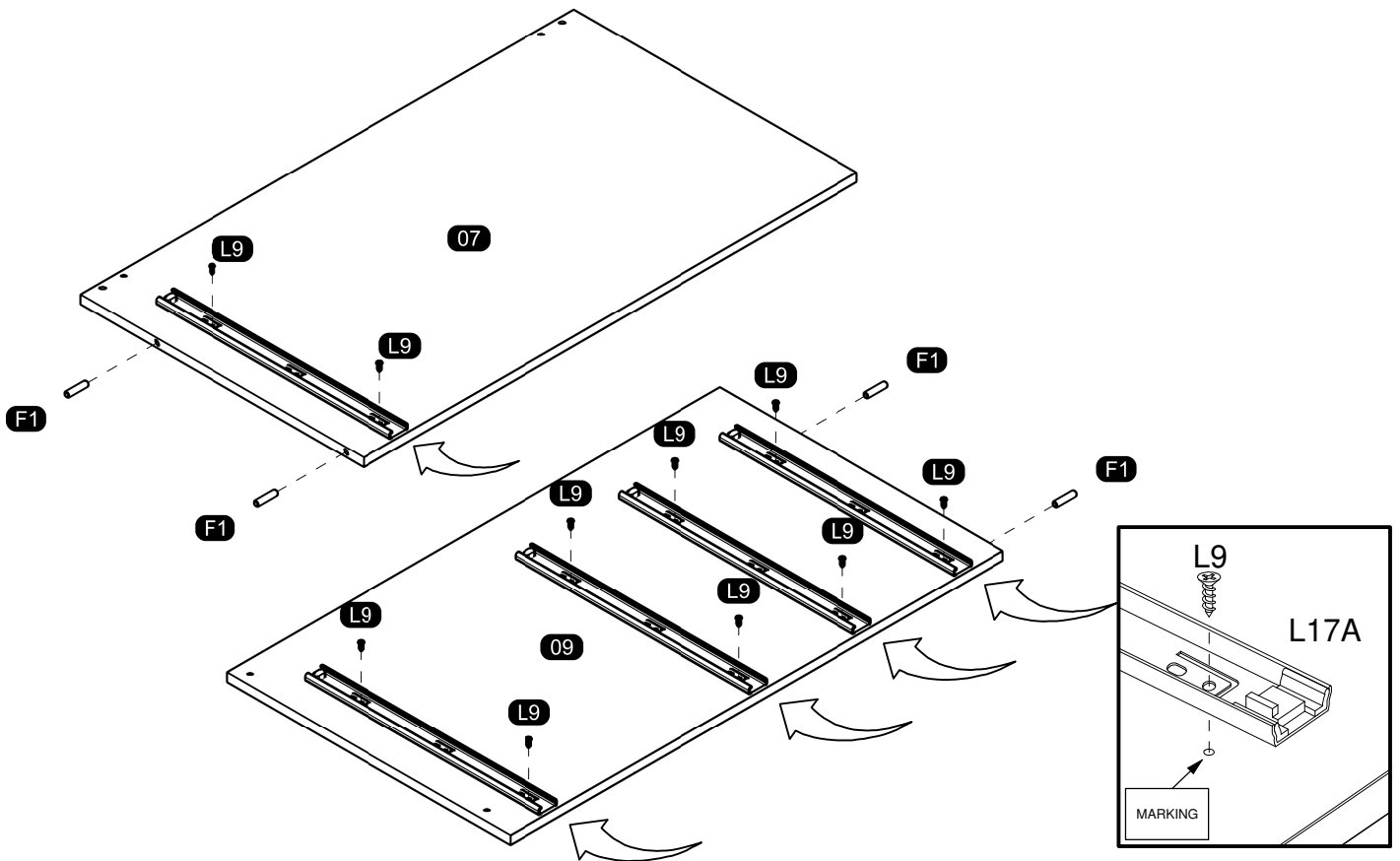
Step 2: Insert hardware part J using and screwdriver (not provided).
DO NOT use any power tools as this may damage the frame and will invalidate any claim.



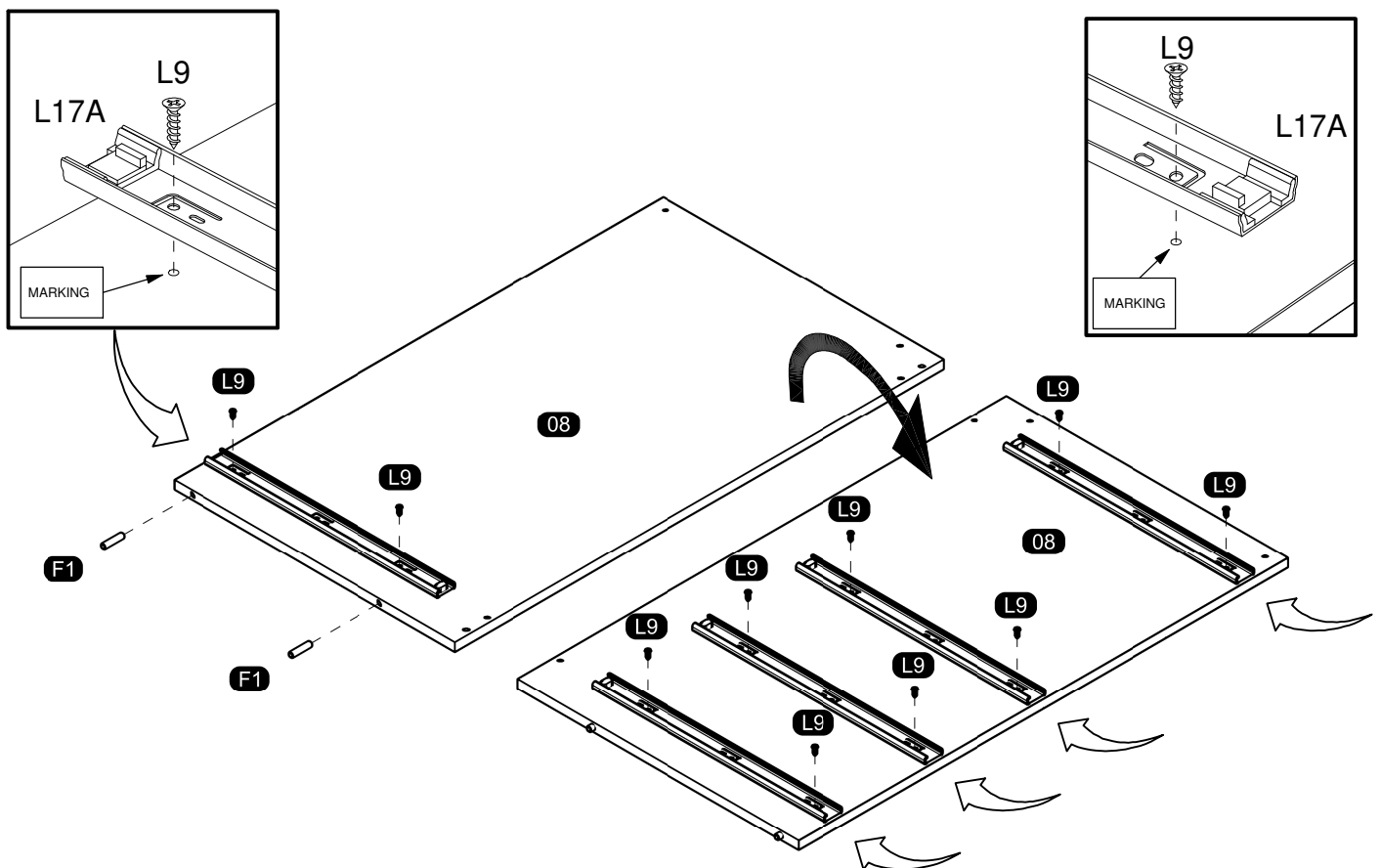
Step 3: Separate the parts of the metal slide L17 to the assembly following the instructions below.



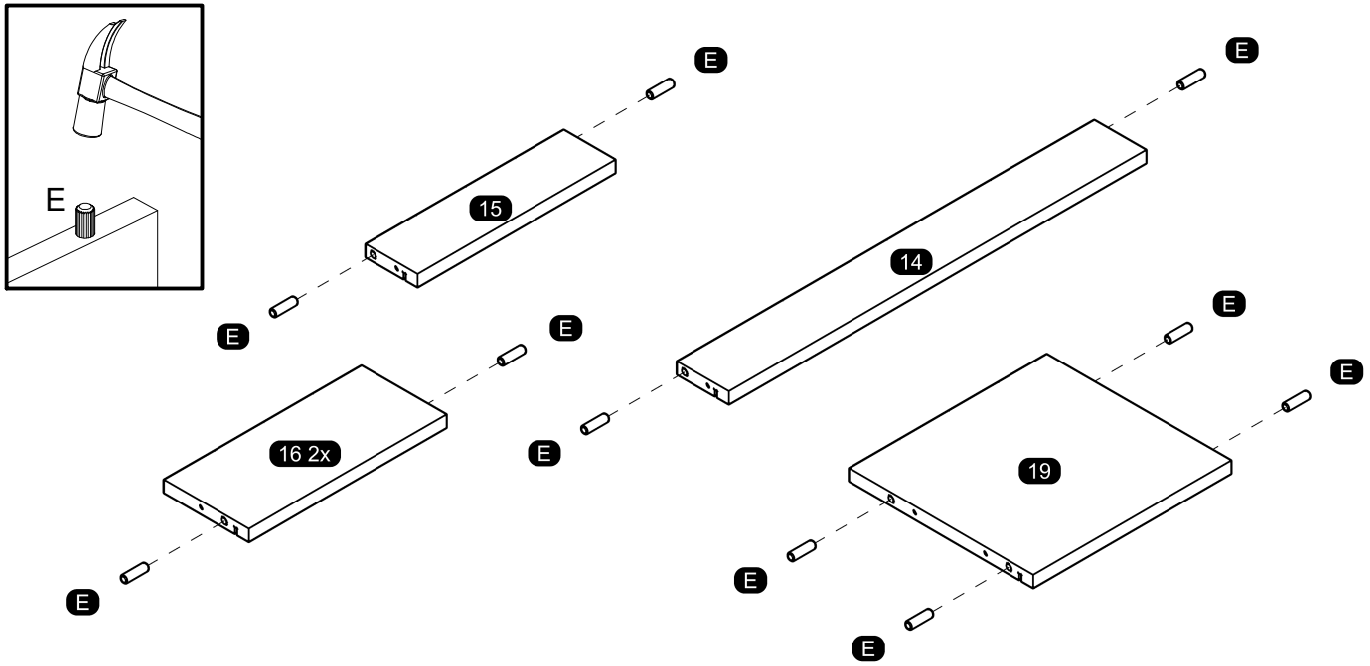
Step 4: Insert hardware part F1 using small mallet (not provided).
 Insert hardware part L17A using hardware part L9 and screwdriver (not provided).
DO NOT use any power tools as this may damage the frame and will invalidate any claim.



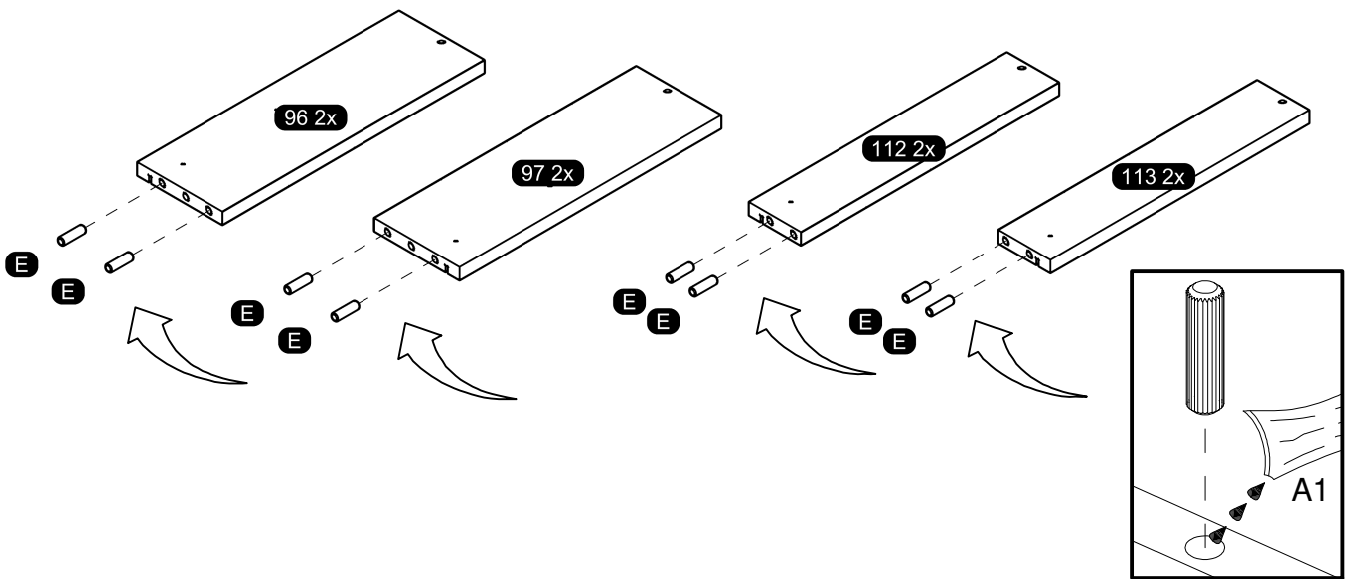
Step 5: Insert hardware part F1 using small mallet (not provided).
 Insert hardware part L17A using hardware part L9 and screwdriver (not provided).
DO NOT use any power tools as this may damage the frame and will invalidate any claim.



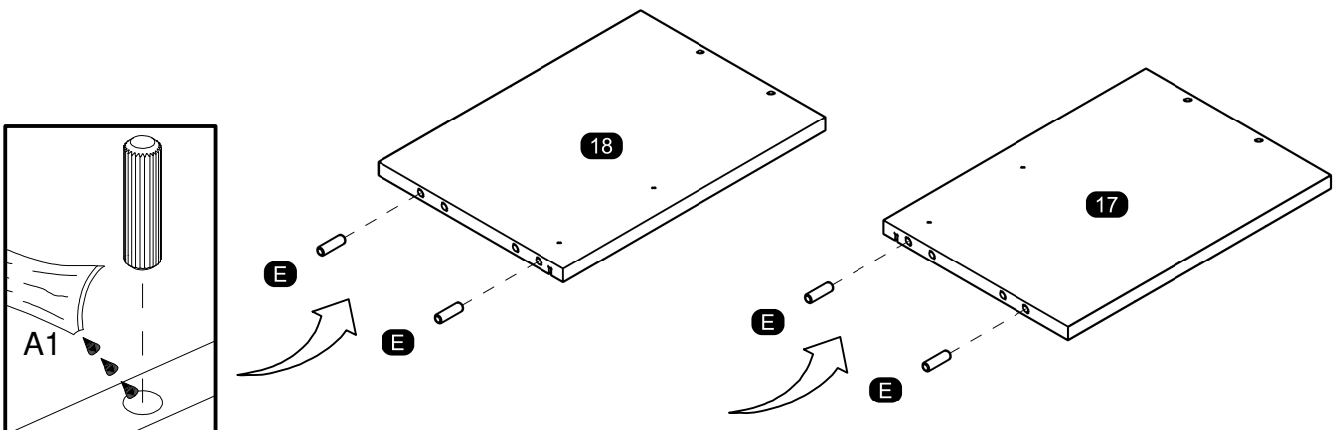
Step 6: Insert hardware part E using small mallet (not provided).
DO NOT use any power tools as this may damage the frame and will invalidate any claim.



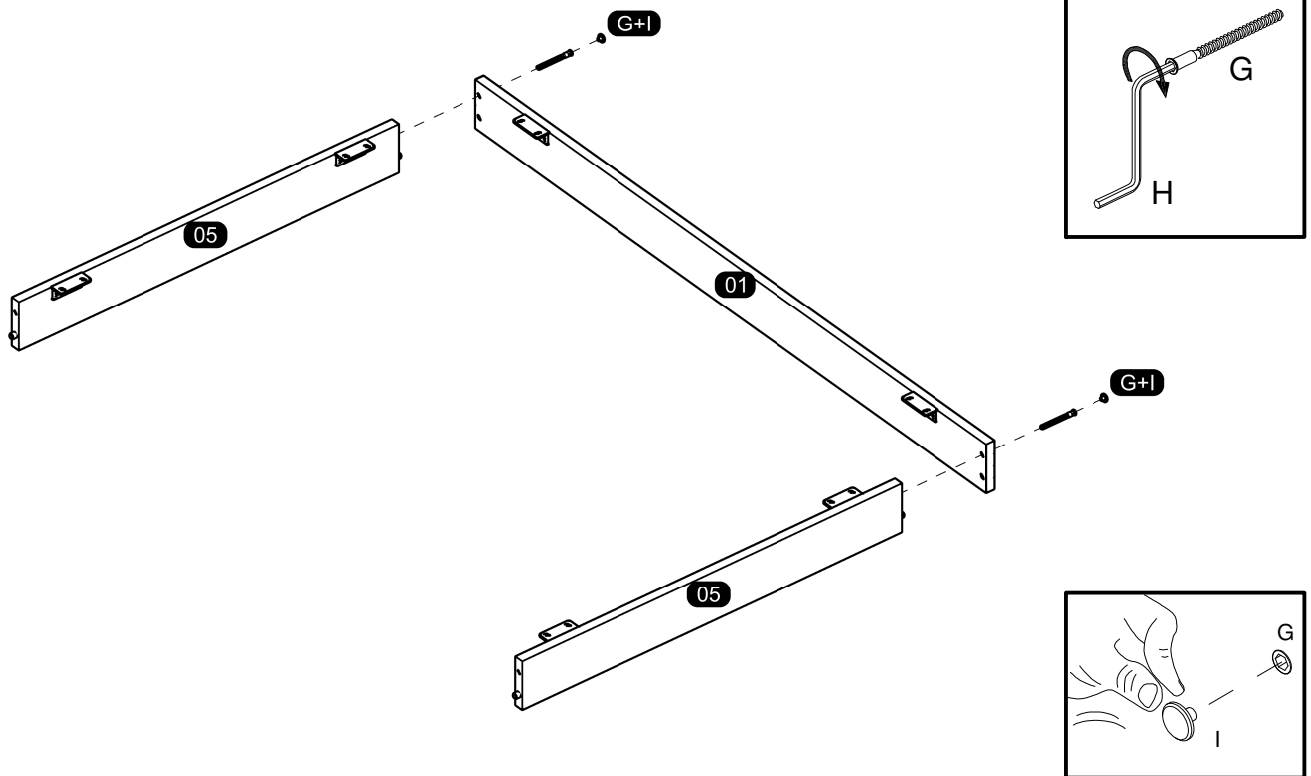
Step 7: Insert hardware part E using small mallet (not provided) and to the hardware part A1.
DO NOT use any power tools as this may damage the frame and will invalidate any claim.



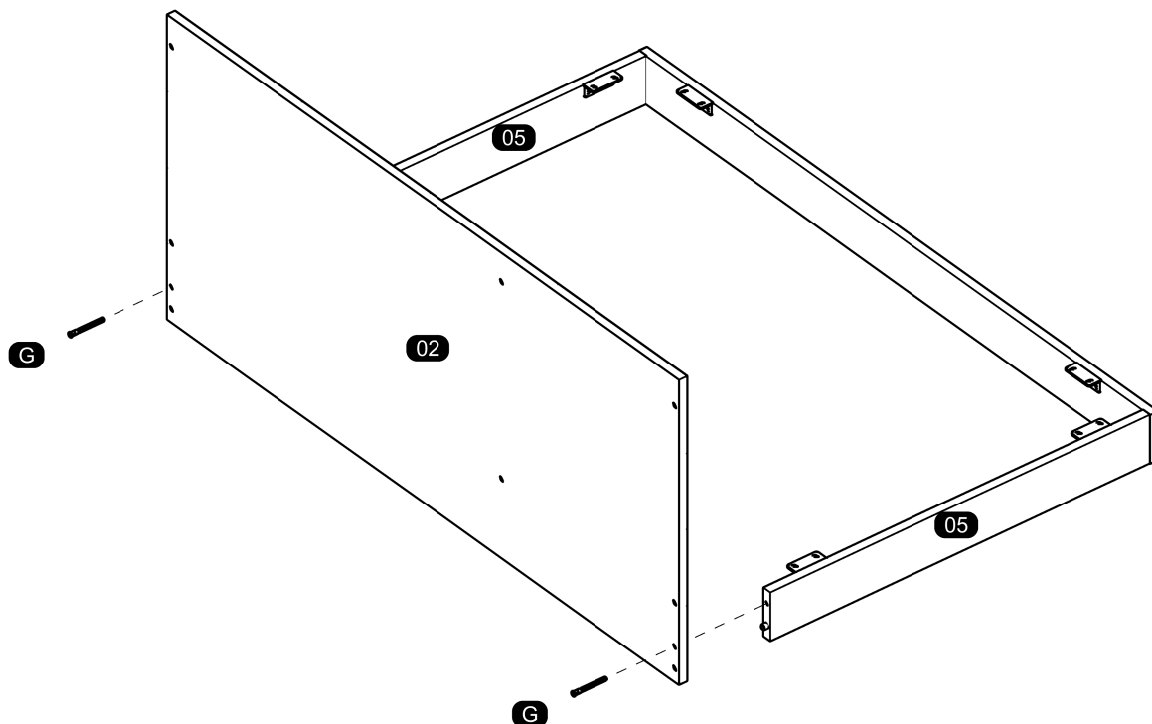
Step 8: Insert hardware part E using small mallet (not provided) and to the hardware part A1.
DO NOT use any power tools as this may damage the frame and will invalidate any claim.



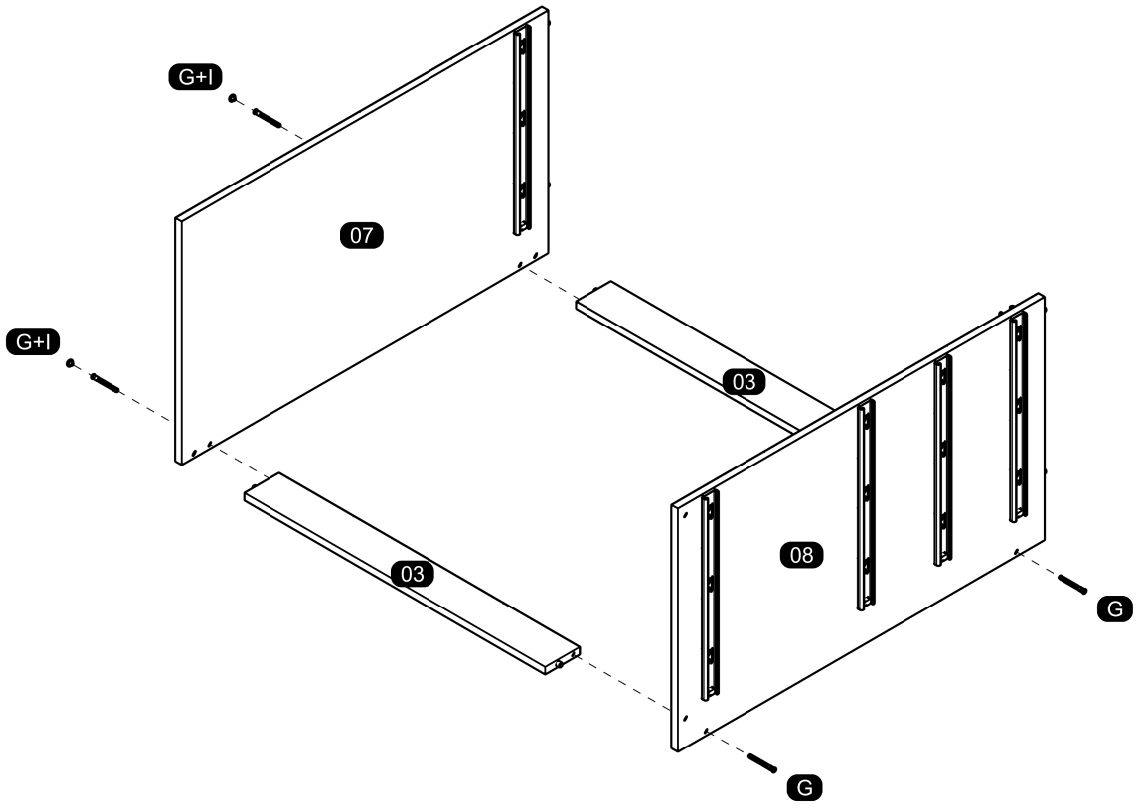
Step 09: Attach the upper base (01) and upper panels (05) using the hardware G, H and I.
DO NOT use any power tools as this may damage the frame and will invalidate any claim.



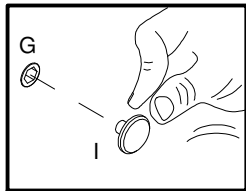
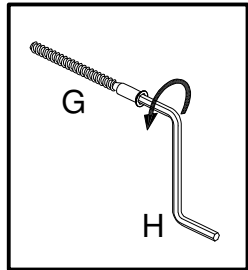
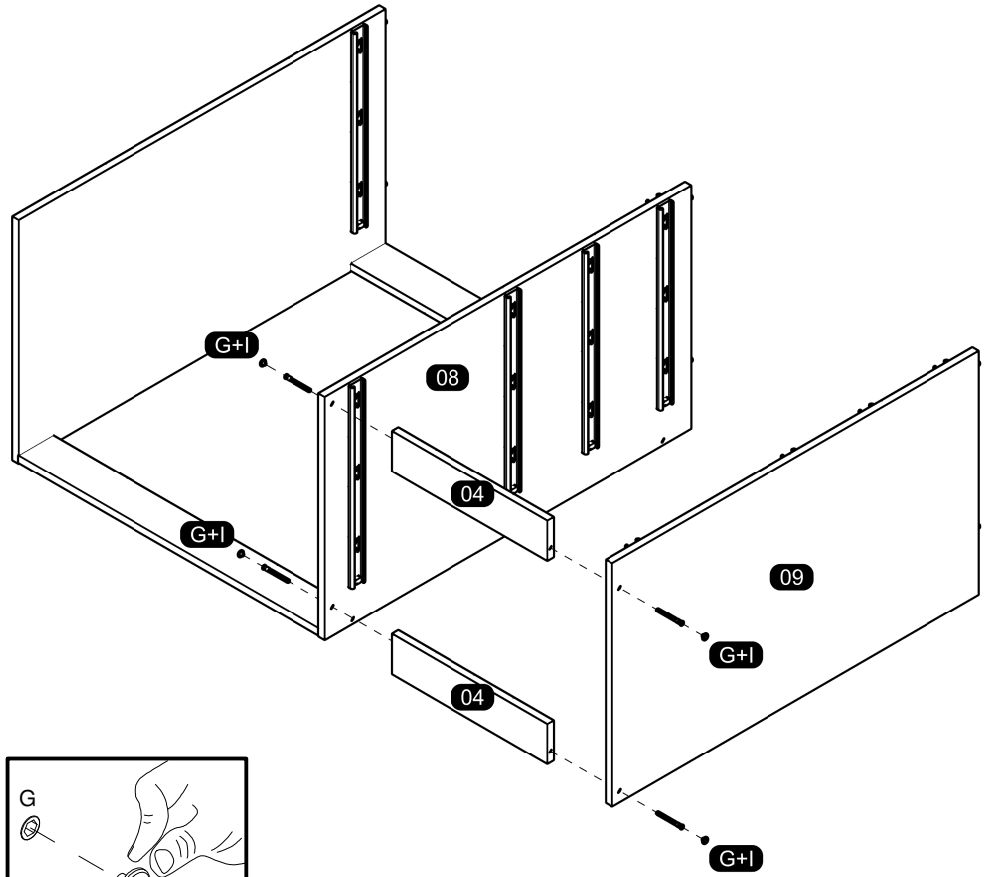
Step 10: Join the top panel (02) to the assembled section using the hardware G and H.
DO NOT use any power tools as this may damage the frame and will invalidate any claim.



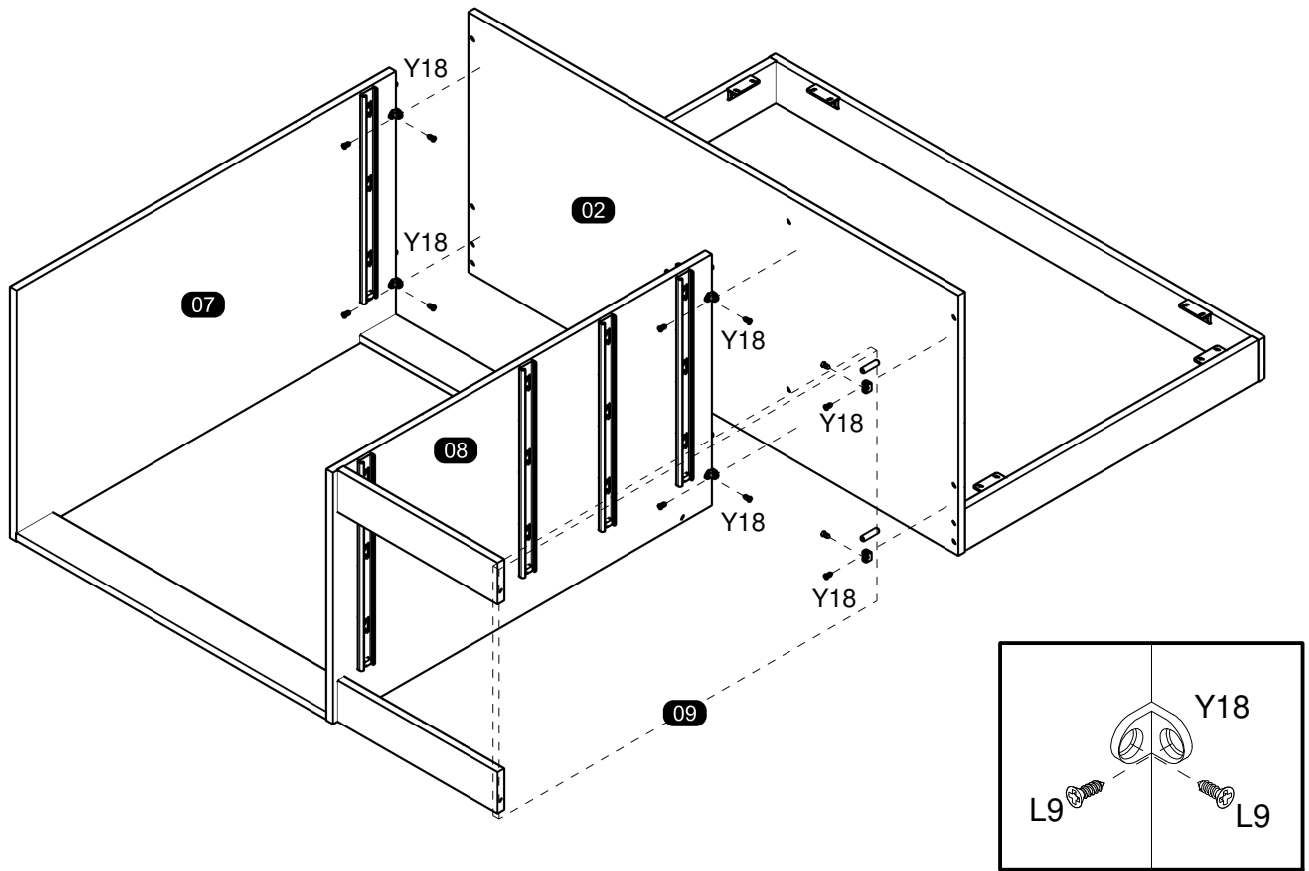
Step 11: Attach the left panel (07), back plinthes (03) and divider panel (08) using the hardware G, H and I. **DO NOT use any power tools as this may damage the frame and will invalidate any claim.**



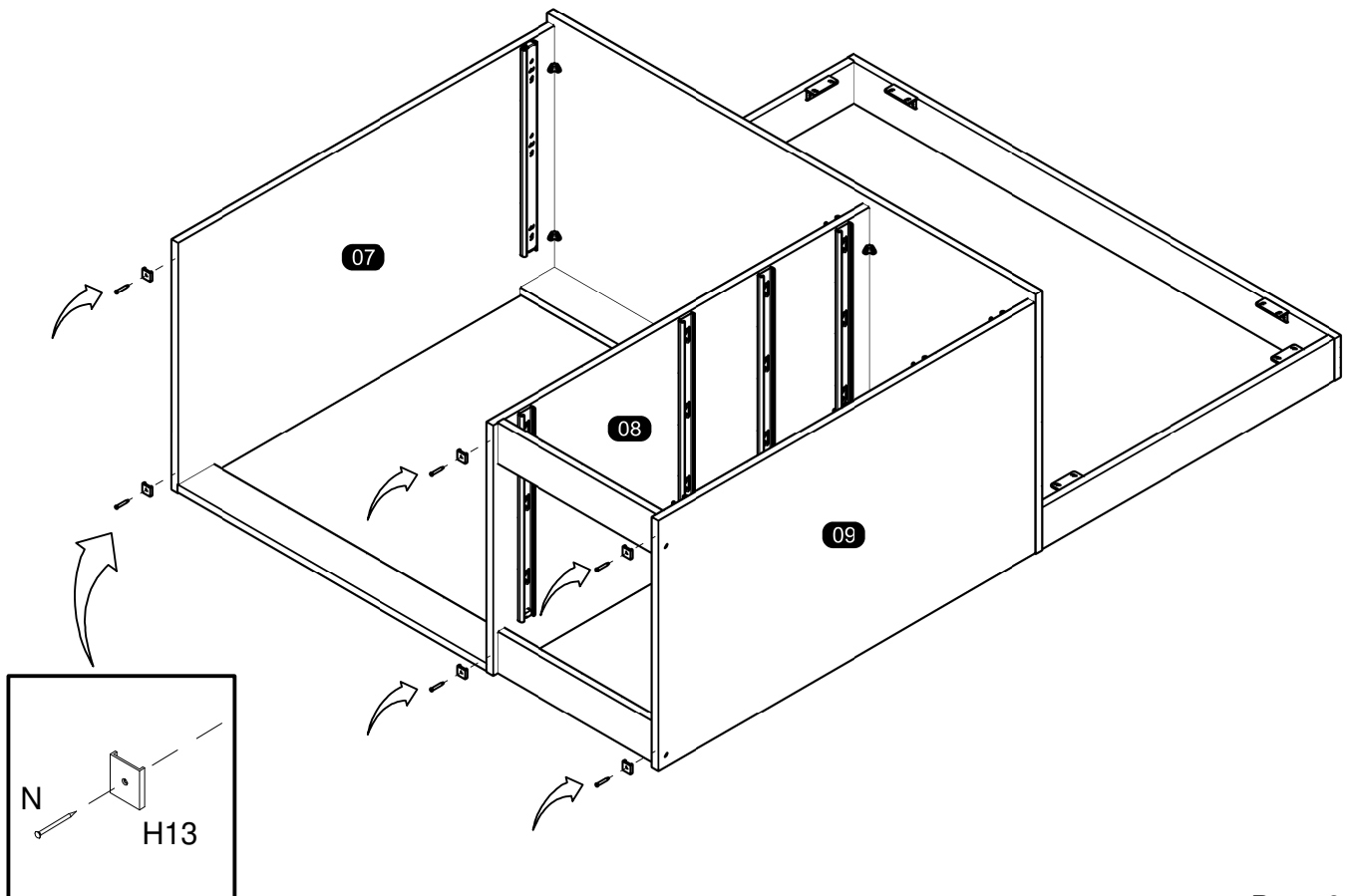
Step 12: Join the plinthes (04) and the right panel (09) to the assembled section using the hardware G, H and I. **DO NOT use any power tools as this may damage the frame and will invalidate any claim.**



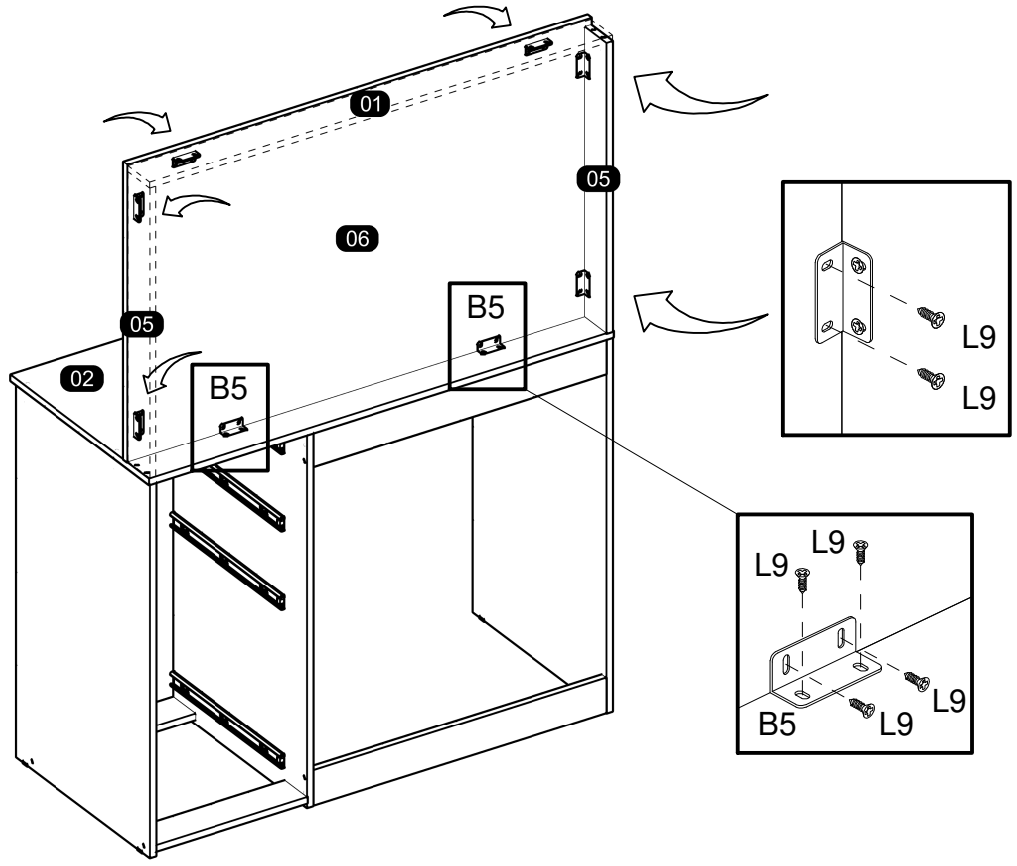
Step 13: Join the assembled sections using the hardware Y18, L9 and screwdriver (not provided).
DO NOT use any power tools as this may damage the frame and will invalidate any claim.



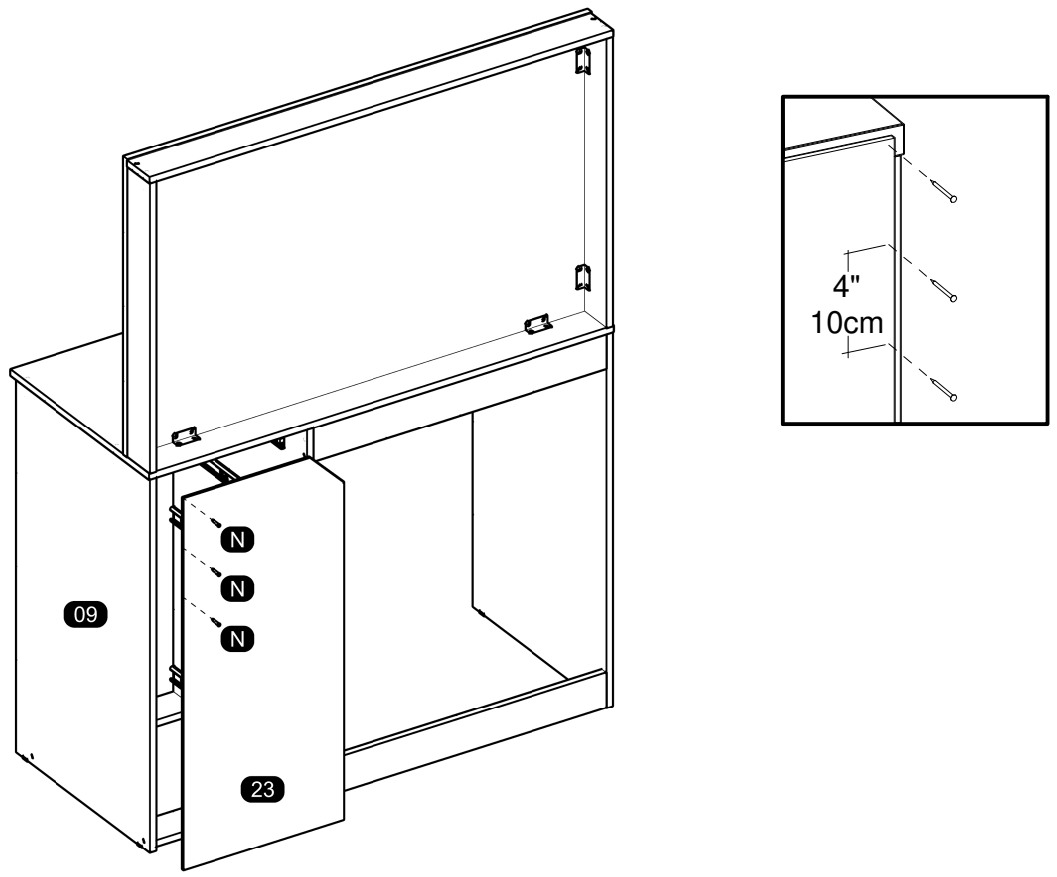
Step 14: Insert hardware part H13 using part N using small mallet (not provided).
DO NOT use any power tools as this may damage the frame and will invalidate any claim.



Step 15: Join the mirror panel (06) to the assembled sections using the hardware B5, L9 and screwdriver (not provided).
DO NOT use any power tools as this may damage the frame and will invalidate any claim.



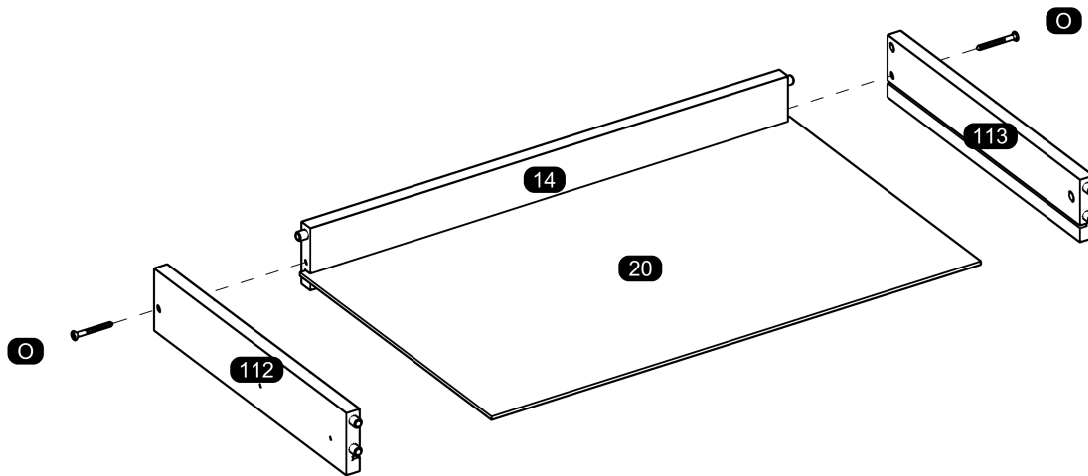
Step 16: Attach the back panel (23) using hardware part N and a small mallet (not provided).
DO NOT use any power tools as this may damage the frame and will invalidate any claim.



Step 17: Attach the upper left drawer back (14), left drawer panel (112) and right drawer panel (113) using the hardware O and screwdriver (not provided).

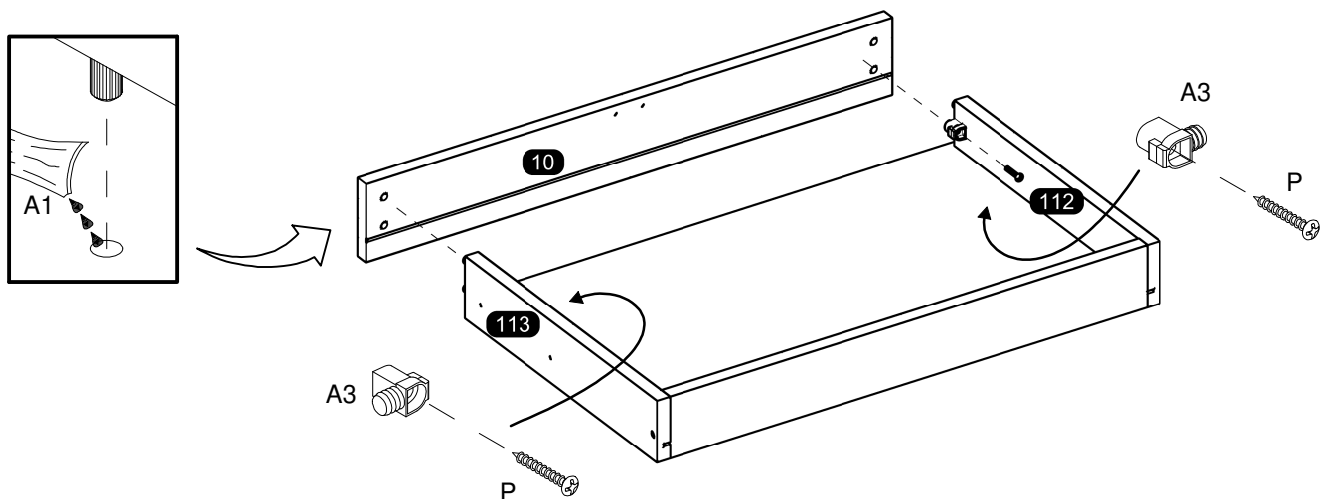
Join the upper left drawer base (20) to the assembled section.

DO NOT use any power tools as this may damage the frame and will invalidate any claim.



Step 18: Join the upper left drawer front (10) to the assembled section using the hardware A3, P and screwdriver (not provided).

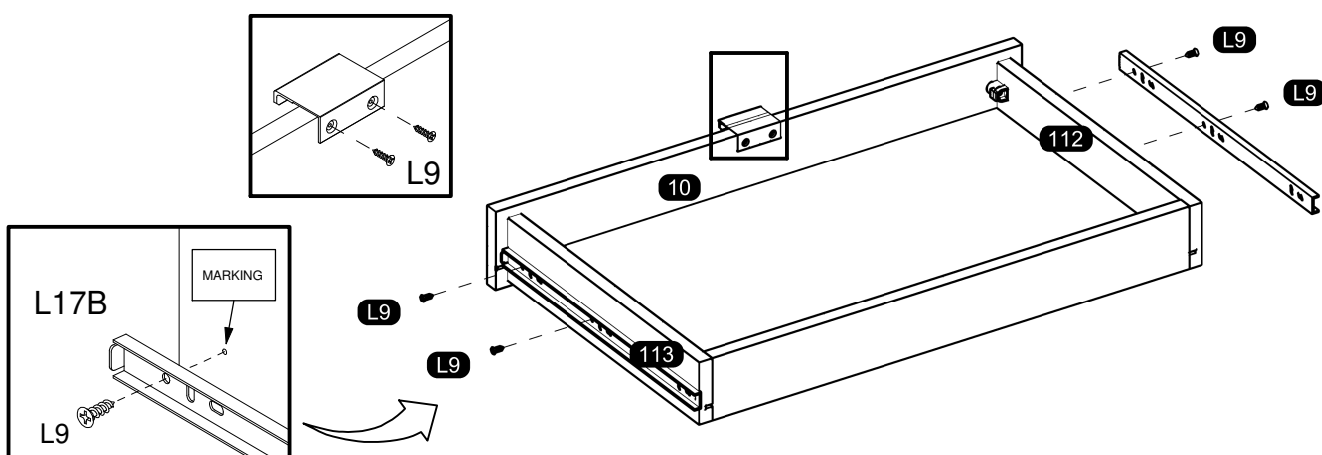
DO NOT use any power tools as this may damage the frame and will invalidate any claim.



Step 19: Join the telescopic slide L17B to the assembled section using hardware part L9 and screwdriver (not provided).

Insert hardware part X4 using hardware part L9 and screwdriver (not provided).

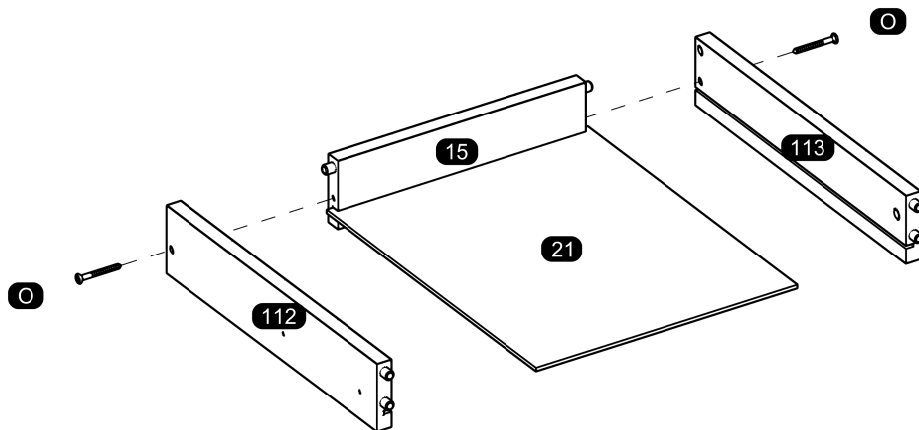
DO NOT use any power tools as this may damage the frame and will invalidate any claim.



Step 20: Attach the upper right drawer back (15), left drawer panel (112) and right drawer panel (113) using the hardware O and screwdriver (not provided).

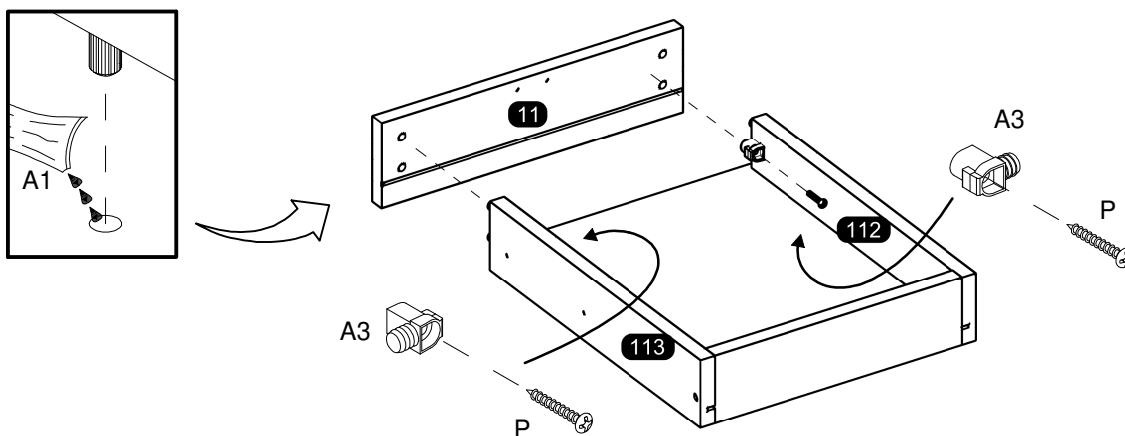
Join the upper right drawer base (21) to the assembled section.

DO NOT use any power tools as this may damage the frame and will invalidate any claim.



Step 21: Join the upper right drawer front (11) to the assembled section using the hardware A3, P and screwdriver (not provided).

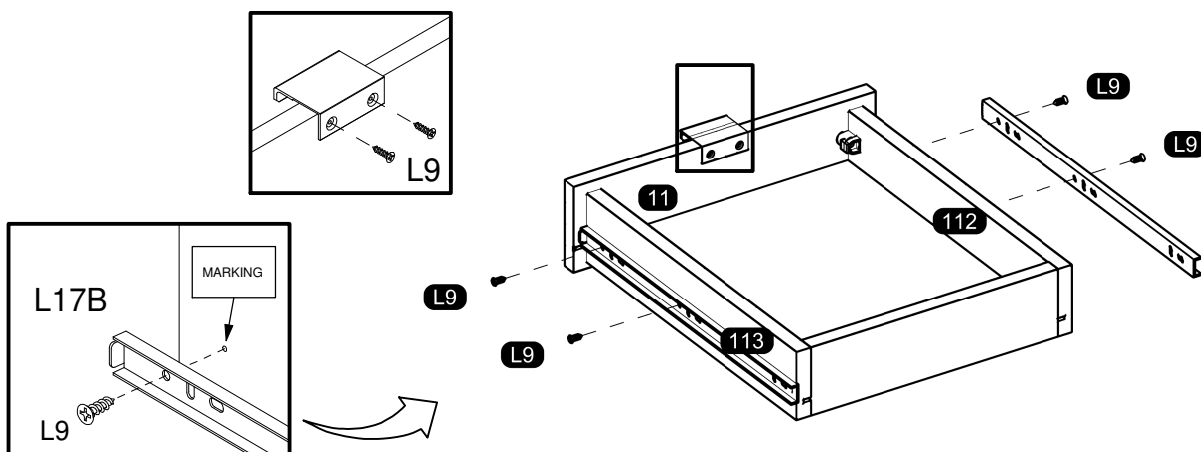
DO NOT use any power tools as this may damage the frame and will invalidate any claim.



Step 22: Join the telescopic slide L17B to the assembled section using hardware part L9 and screwdriver (not provided).

Insert hardware part X4 using hardware part L9 and screwdriver (not provided).

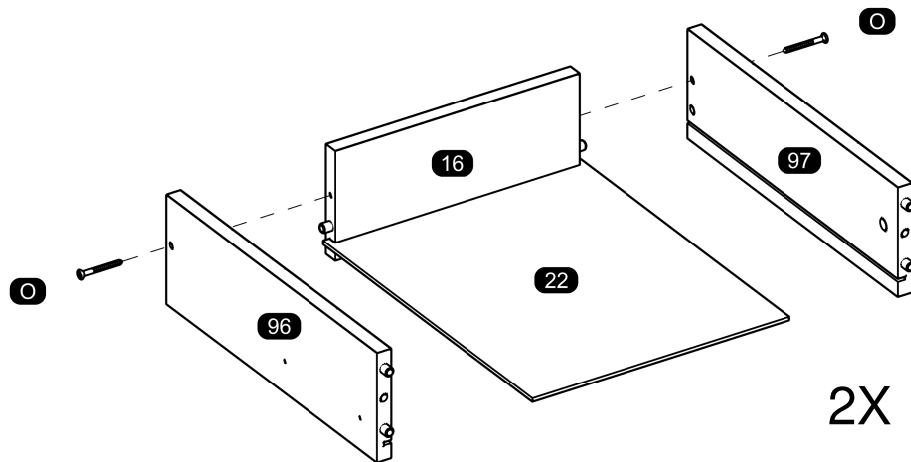
DO NOT use any power tools as this may damage the frame and will invalidate any claim.



Step 23: Attach the middle drawer back (16), left drawer panel (96) and right drawer panel (97) using the hardware O and screwdriver (not provided).

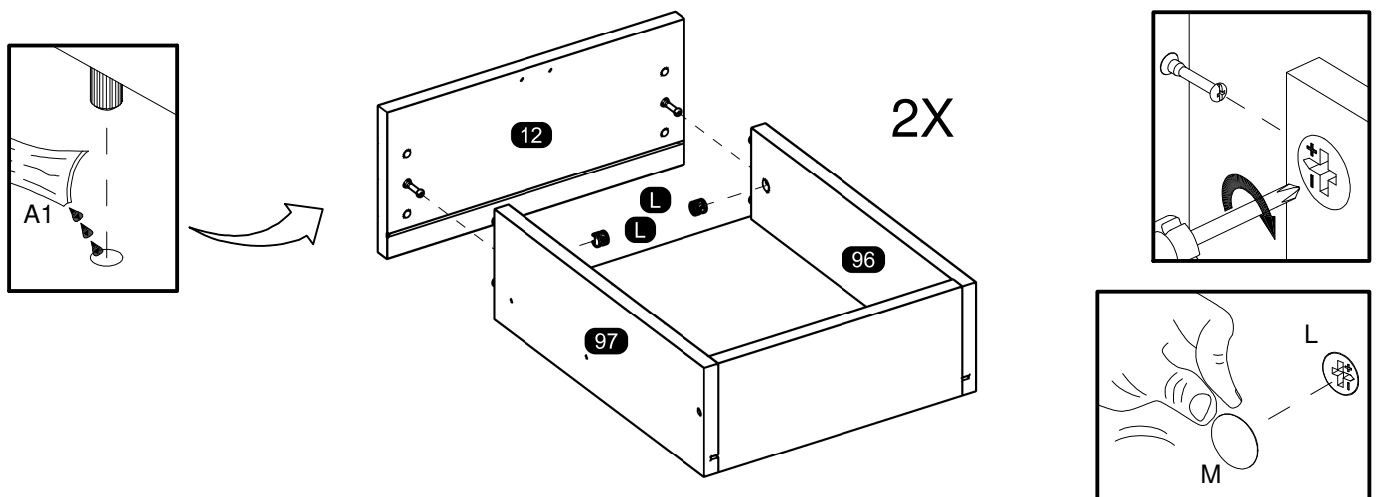
Join the lower drawer base (22) to the assembled section.

DO NOT use any power tools as this may damage the frame and will invalidate any claim.



Step 24: Join the middle drawer front (12) to the assembled section using the hardware L, M and screwdriver (not provided).

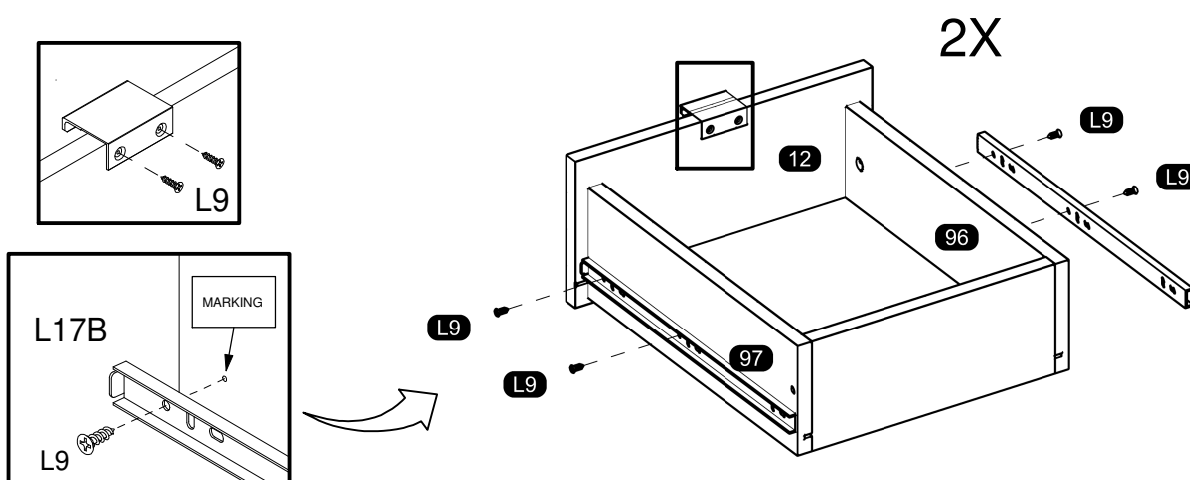
DO NOT use any power tools as this may damage the frame and will invalidate any claim.



Step 25: Join the telescopic slide L17B to the assembled section using hardware part L9 and screwdriver (not provided).

Insert hardware part X4 using hardware part L9 and screwdriver (not provided).

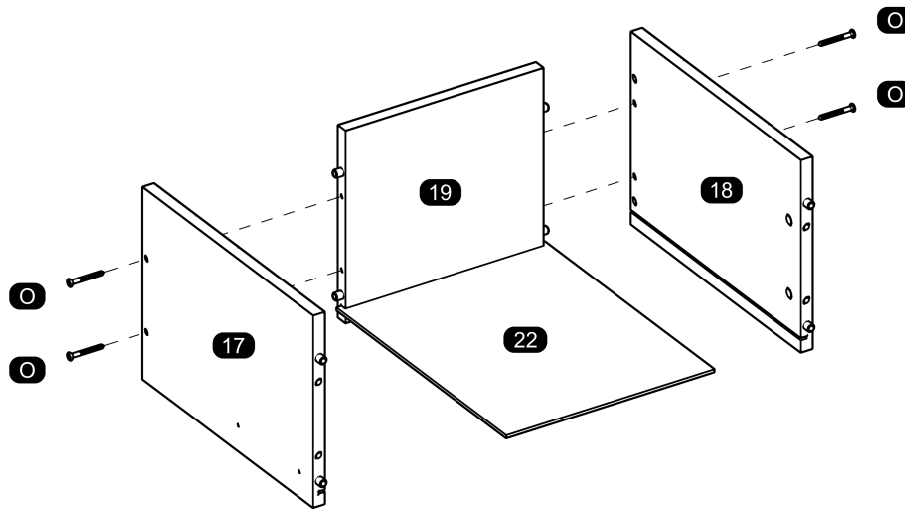
DO NOT use any power tools as this may damage the frame and will invalidate any claim.



Step 26: Attach the lower drawer back (19), left drawer panel (17) and right drawer panel (18) using the hardware O and screwdriver (not provided).

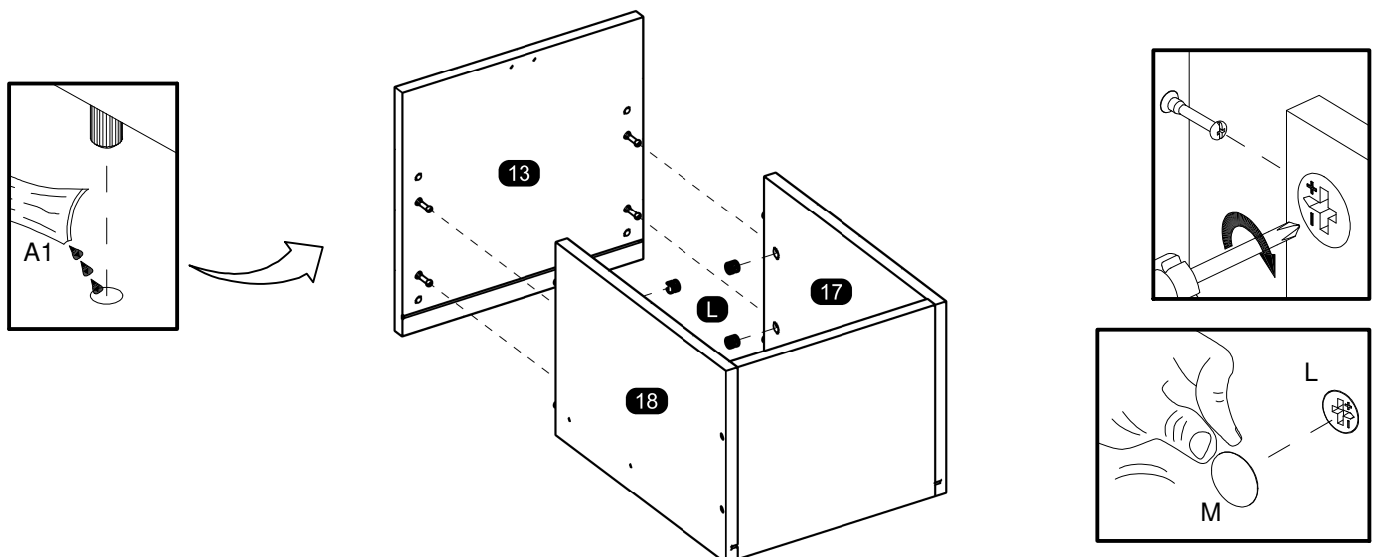
Join the lower drawer base (22) to the assembled section.

DO NOT use any power tools as this may damage the frame and will invalidate any claim.



Step 27: Join the drawer front (13) to the assembled section using the hardware L, M and screwdriver (not provided).

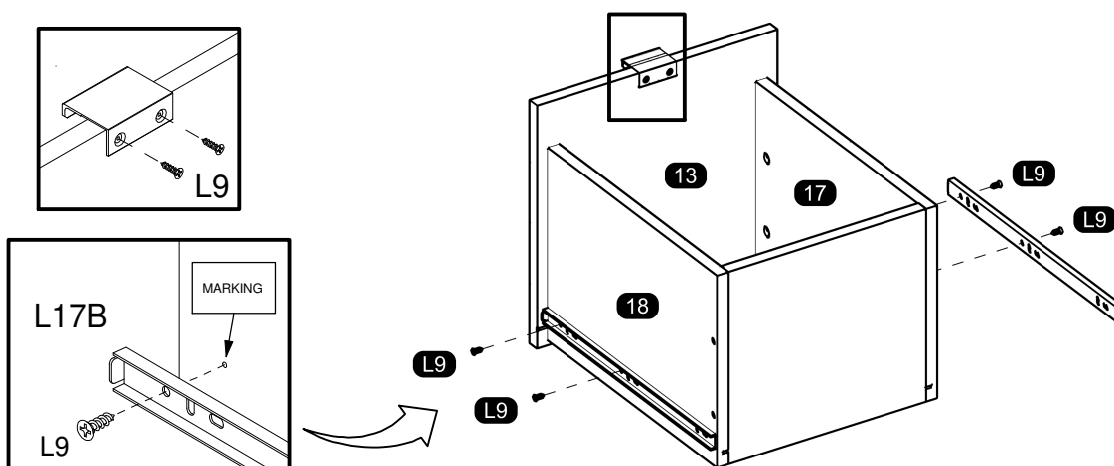
DO NOT use any power tools as this may damage the frame and will invalidate any claim.



Step 28: Join the telescopic slide L17B to the assembled section using hardware part L9 and screwdriver (not provided).

Insert hardware part X4 using hardware part L9 and screwdriver (not provided).

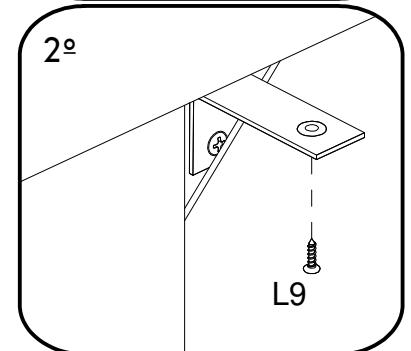
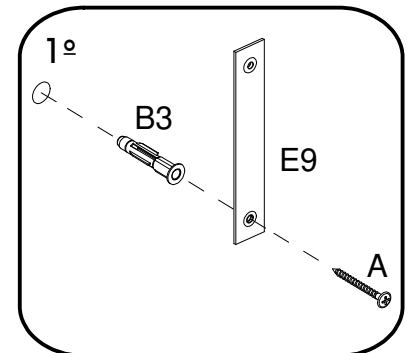
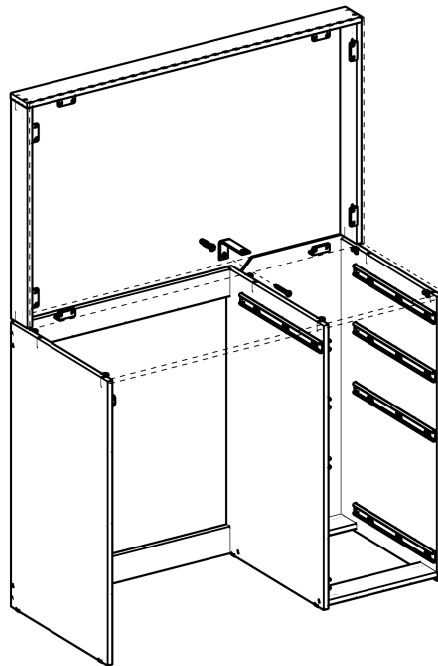
DO NOT use any power tools as this may damage the frame and will invalidate any claim.



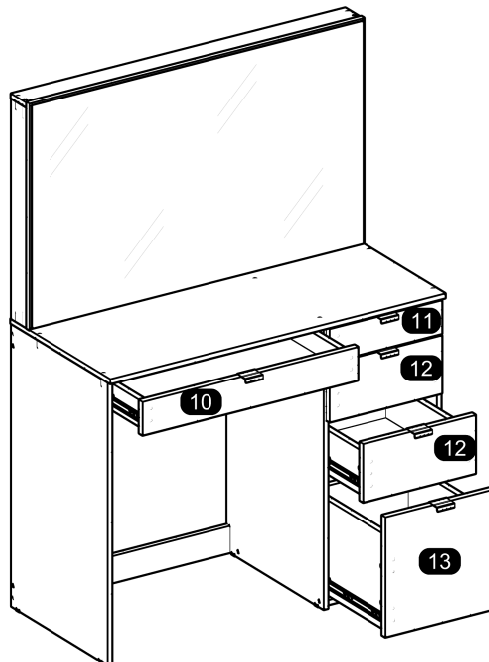
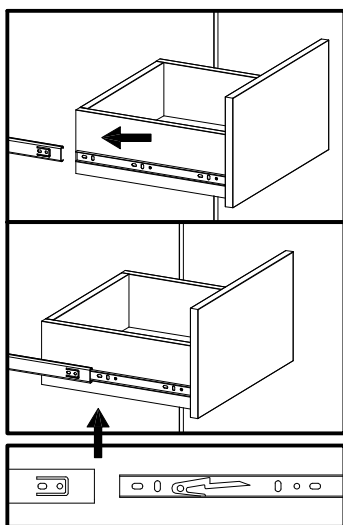
Step 29: To secure the item to the wall use hardware parts E9, B3 and A using a screwdriver (not provided). Then attach hardware part L9 to the item with a screwdriver (not provided).

DO NOT use any power tools as this may damage the frame and will invalidate any claim.

Birlea Furniture advise you use the wall straps provided to further enhance the safety of this product



Step 30: Connect the drawers on the telescopic slide L17.



Additional Information:

- For complete product information, images and dimension diagrams please visit the website www.birlea.com
- If you have any issues with your item please contact the retailer directly you purchased it from who will be able to resolve any issues with Birlea.
- Why don't you send us photos of your assembled furniture to info@birlea.com to be shared in our #birleahome feature on Instagram.

Birlea®