

Birlea®

Assembly Instructions

Thank you for purchasing a Birlea product.

For a chance to win a Love 2 Shop voucher simply post a picture of your new product on your preferred social channels tagging Birlea Furniture and using the hashtag #ShareYourStyle and #Birlea. One winner will be selected at random each month.

To view our full terms and conditions please visit our website. www.birlea.com

Are you happy with your purchase?

Yes: That's great, we would love to hear more from you. Please leave us a review on our social media channels or Trustpilot. Your feedback will be greatly appreciated.

No: If for any reason there is something missing, indifferent or incorrect with your order, please contact the retailer you purchased the item from. We will work with the retailer to resolve your issue as quickly as possible.



www.birlea.com

ASSEMBLY INSTRUCTIONS CHLOE DRESSING TABLE

IMPORTANT: READ THESE INSTRUCTIONS CAREFULLY BEFORE ASSEMBLING OR USING YOUR CHLOE DRESSING TABLE

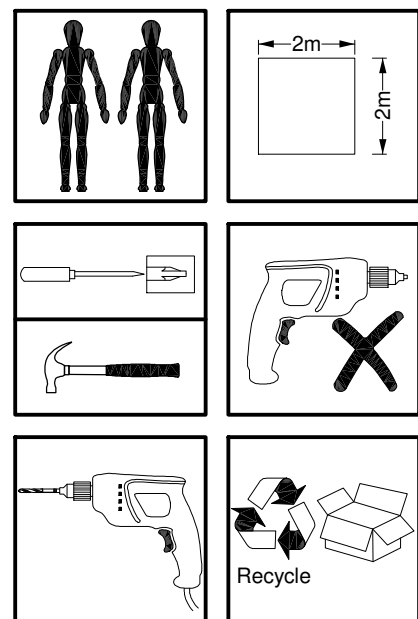
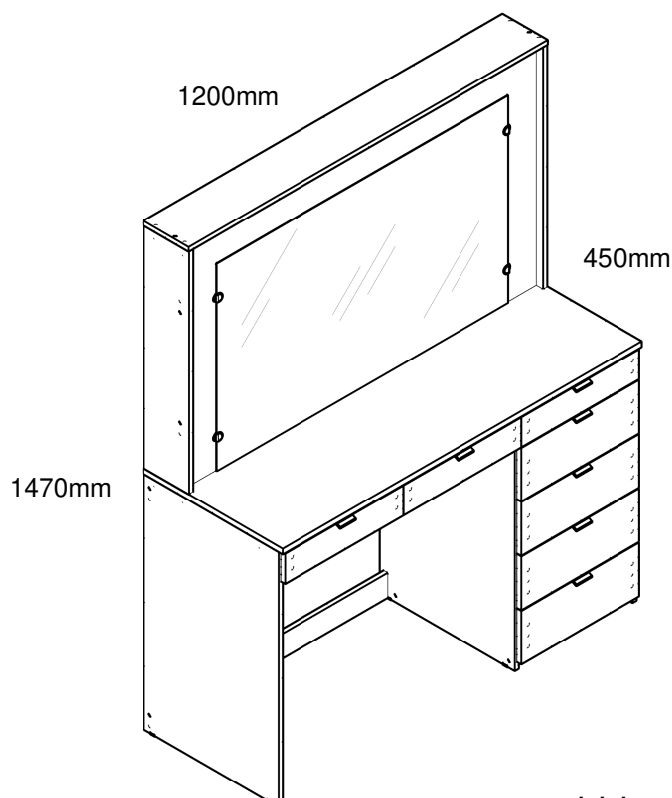
PLEASE KEEP THESE INSTRUCTIONS FOR FUTURE REFERENCE.

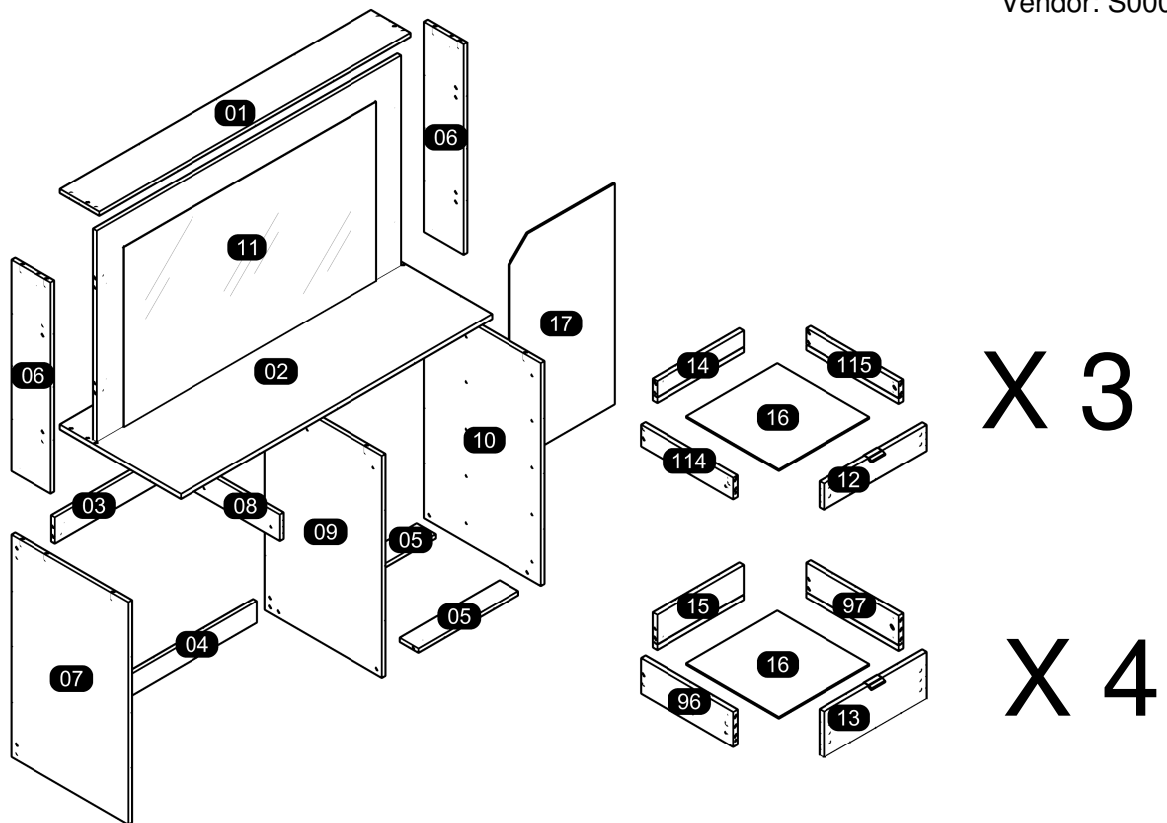
HEALTH & SAFETY:

DO NOT use this item if any parts are missing, damaged or worn.
DO NOT use this item unless all fixings are secured.
Please keep small parts out of reach of children
Always use on a level, even surface.

CARE & MAINTENANCE:

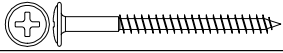


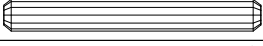
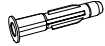
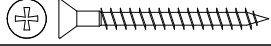

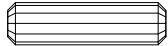


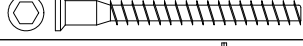



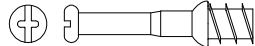

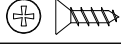

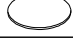
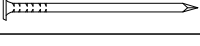

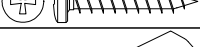
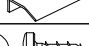


Assemble in the room of use
Assembly should be carried out with this item laying flat, not standing upright.
Assemble on a soft, clean surface to prevent damages.
To remove the printed numbers on the pieces, use the eraser provided
Periodically check all screws & fixings to ensure they are secure.
DO NOT push the item as this will damage the base.
Always lift the item with two people to reposition.
Keep any sharp objects away from the item.





Parts List

Part	Description	Box	Qty
01	Upper Base	1	1
02	Top Panel	1	1
03	Back Plinth	1	1
04	Left Plinth	1	1
05	Right Plinth	1	2
06	Upper Panel	1	2
07	Left Panel	1	1
08	Left Divider Panel	1	1
09	Right Divider Panel	1	1
10	Right Panel	1	1
11	Mirror Panel	1	1
12	Small Drawer Front	1	3
13	Large Drawer Front	1	4
14	Small Drawer Back	1	3
15	Large Drawer Back	1	4
16	Drawer Base	1	7
17	Back Panel	1	1
96	Left Drawer Panel	1	4
97	Right Drawer Panel	1	4
114	Left Drawer Panel	1	3
115	Right Drawer Panel	1	3

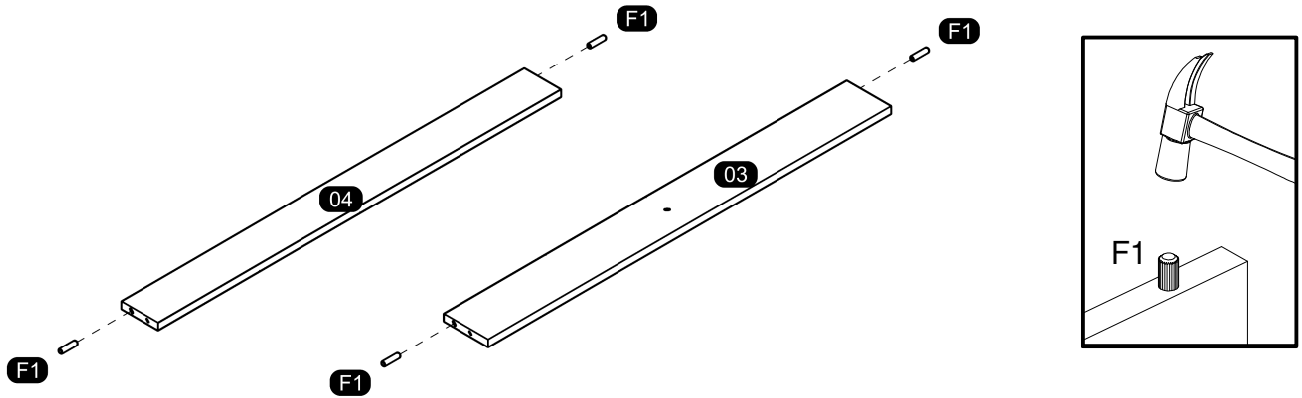
Hardware List		
Part	Description	Qty
A	5,0 x 60 mm Screw	 1
A1	Glue	 1
A3	Trapeze	 6
A27	6 x 50 mm Wooden Dowel	 4
B3	Wall Plug	 1
D	4,0 x 40 mm Screw	 1
E4	Mirror Support	 4
E	8 x 30 mm Wooden Dowel	 42
E9	Strap	 1
F1	6 x 30 mm Wooden Dowel	 18
G	Structural Screw	 16
H	Allen Key	 1
H13	Smal Plastic Foot	 6
I	Structural Screw Cover	 12
J	Minifix Screw	 8
L	Cam Lock	 8
L9	3,5x12 mm Screw	 90
L17	350 mm Telescopic Slide	 14
M	Adhesive Screw Head Cover	 8
N	10 x 10 mm Tack	 30
O	4,5 x 45 mm Screw	 14
P	4,5 x 25 mm Screw	 6
S2	32 mm Handle	 7
V19	3,5 x 10 mm Screw	 5
Y18	Zamac Bracket	 10

**** You will need a small mallet and a screwdriver for assembly.**

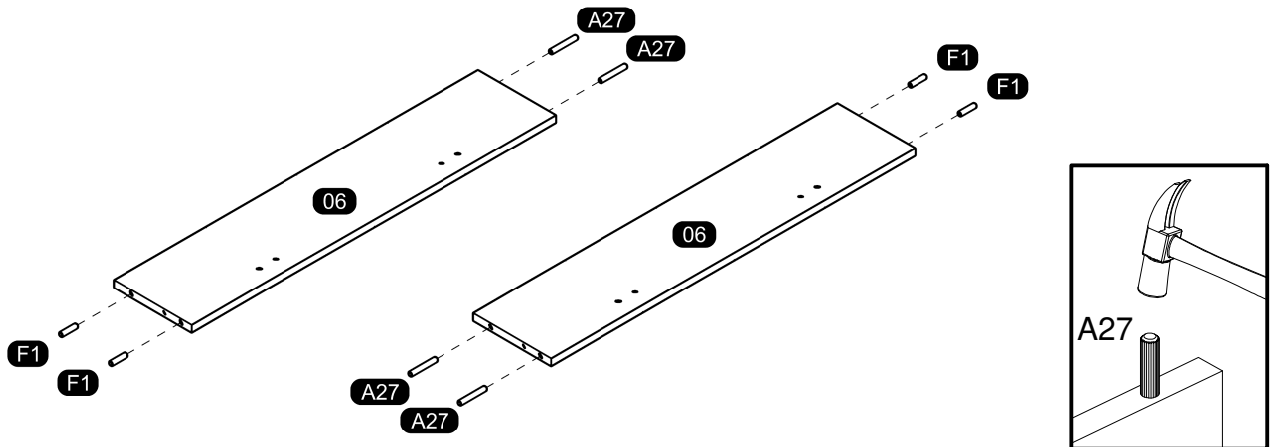
**** Some screws and wooden dowel may remain.**

**** Wall plug and screw is supplied to attach strap to the wall.**

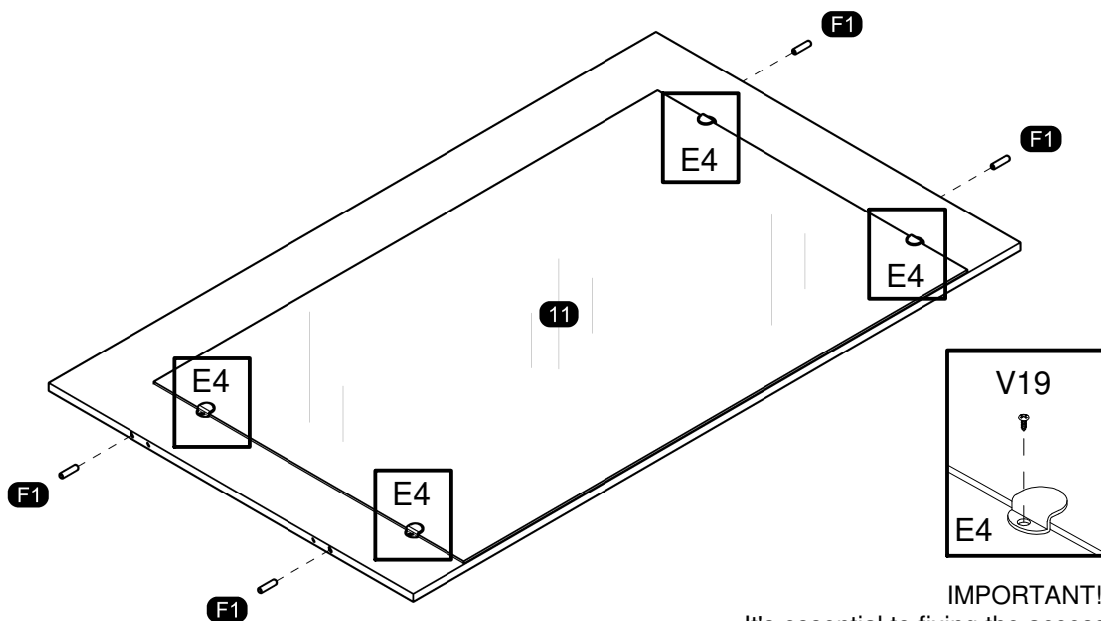
Step 1: Insert hardware part F1 using small mallet (not provided).
DO NOT use any power tools as this may damage the frame and will invalidate any claim.



Step 2: Insert hardware part F1 using small mallet (not provided).
 Insert hardware part A27 using small mallet (not provided).
DO NOT use any power tools as this may damage the frame and will invalidate any claim.

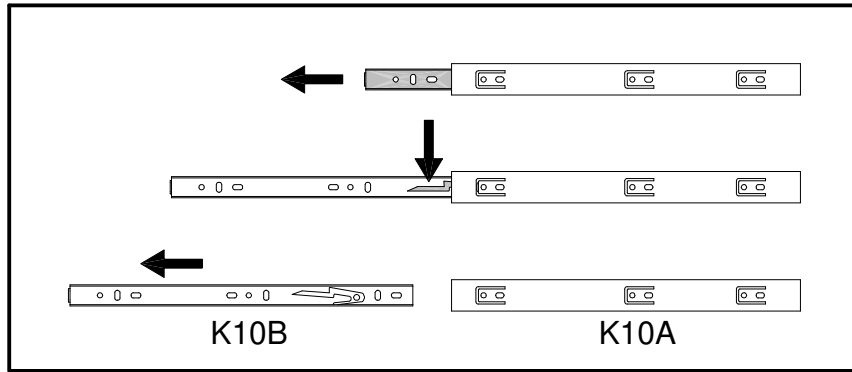


Step 3: Insert hardware part F1 using small mallet (not provided).
 Insert hardware part E4 using hardware part V19 and screwdriver (not provided).
DO NOT use any power tools as this may damage the frame and will invalidate any claim.

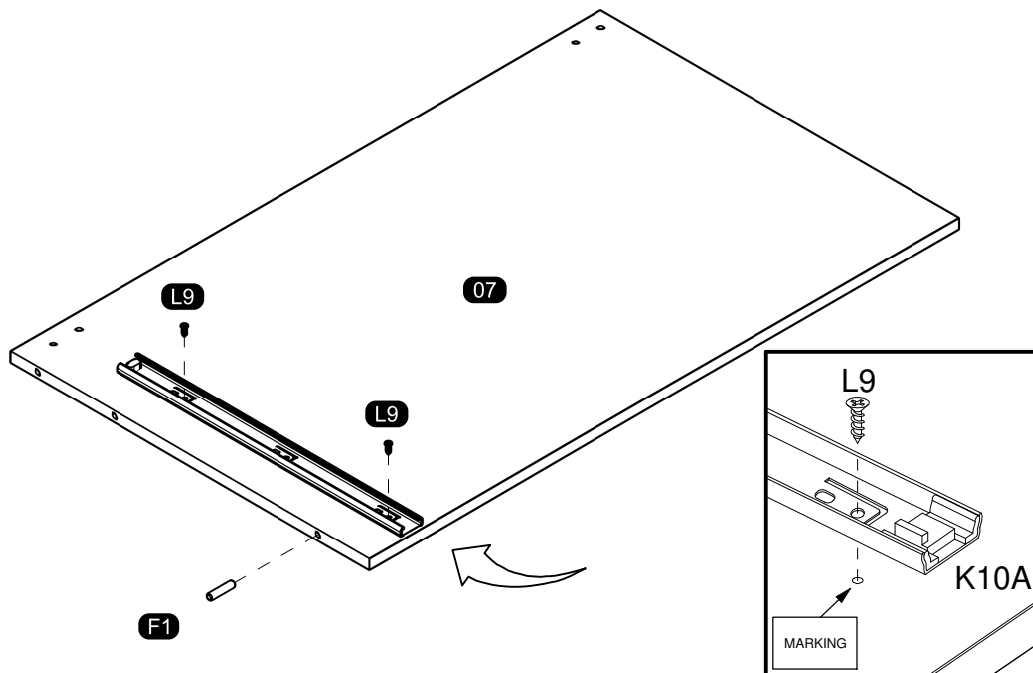


IMPORTANT!
 It's essential to fixing the accessory "E4" for safety.

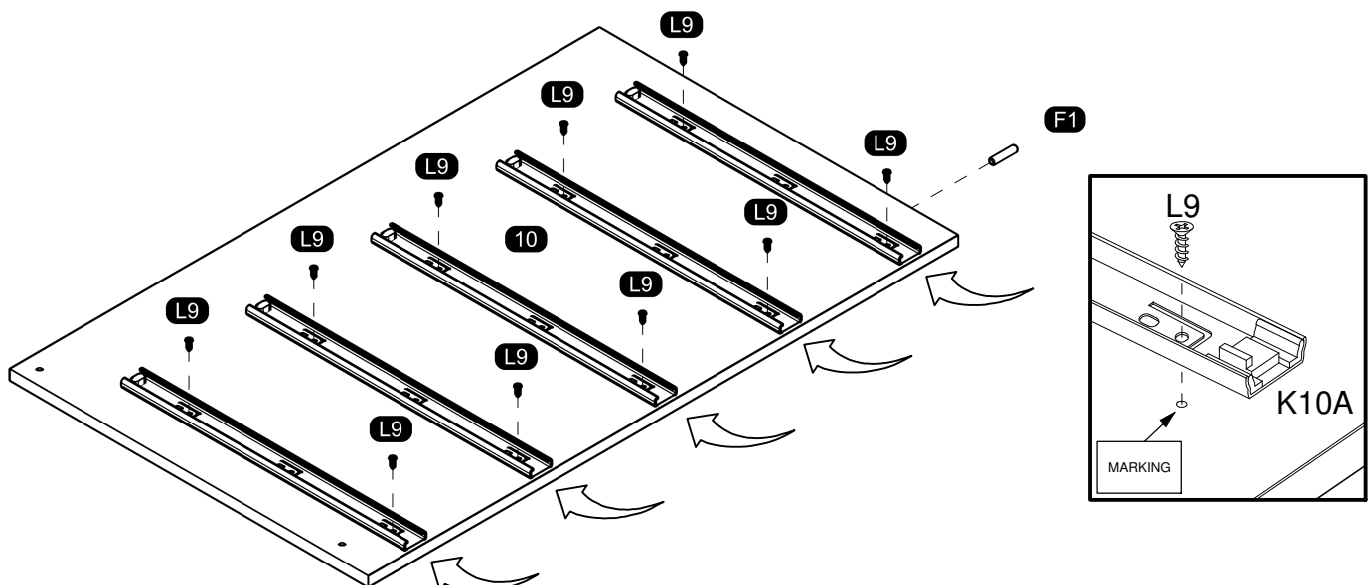
Step 4: Separate the parts of the metal slide K10 to the assembly following the instructions below.



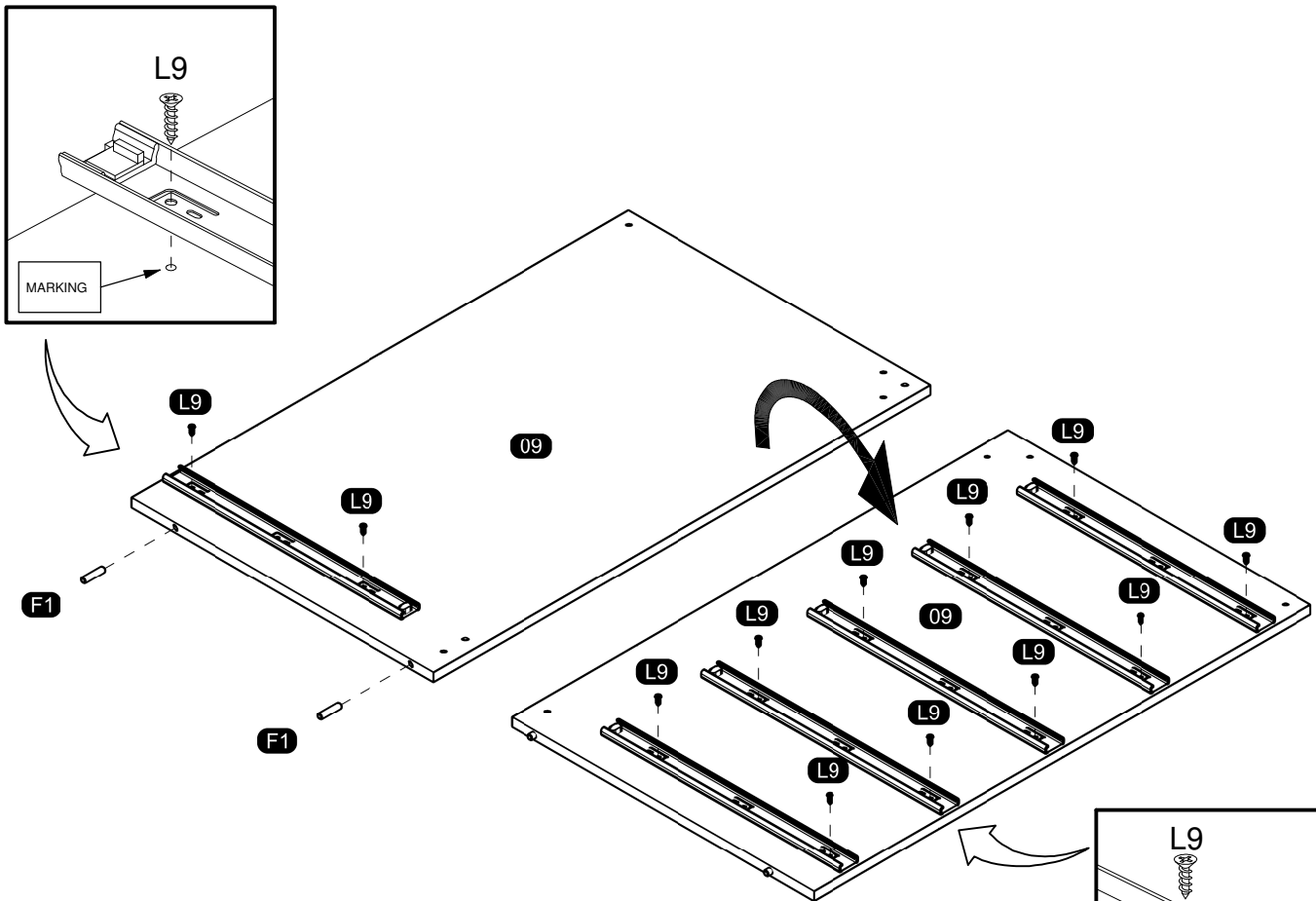
Step 5: Insert hardware part F1 using small mallet (not provided).
 Insert hardware part L17 using hardware part L9 and screwdriver (not provided).
DO NOT use any power tools as this may damage the frame and will invalidate any claim.



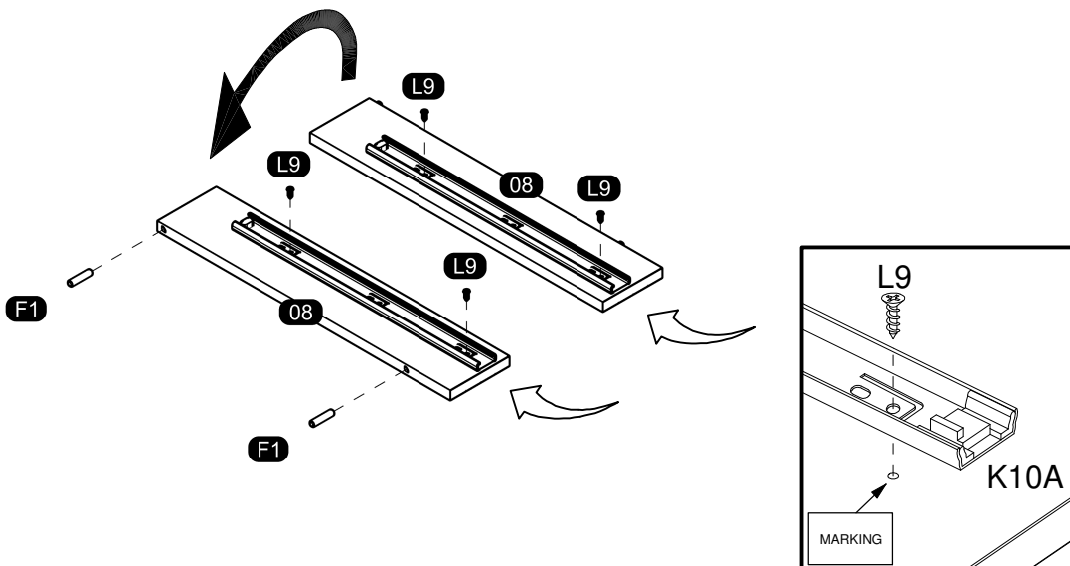
Step 6: Insert hardware part F1 using small mallet (not provided).
 Insert hardware part L17 using hardware part L9 and screwdriver (not provided).
DO NOT use any power tools as this may damage the frame and will invalidate any claim.



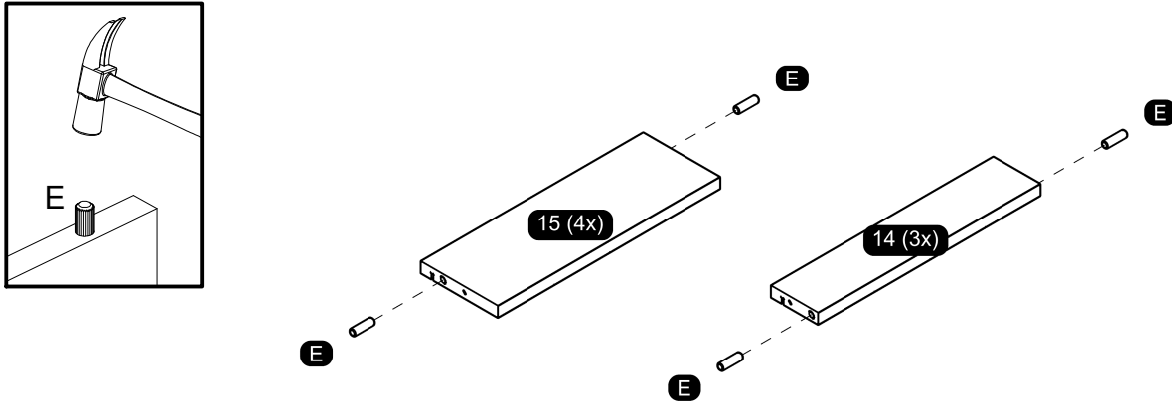
Step 7: Insert hardware part F1 using small mallet (not provided).
 Insert hardware part L17 using hardware part L9 and screwdriver (not provided).
DO NOT use any power tools as this may damage the frame and will invalidate any claim.



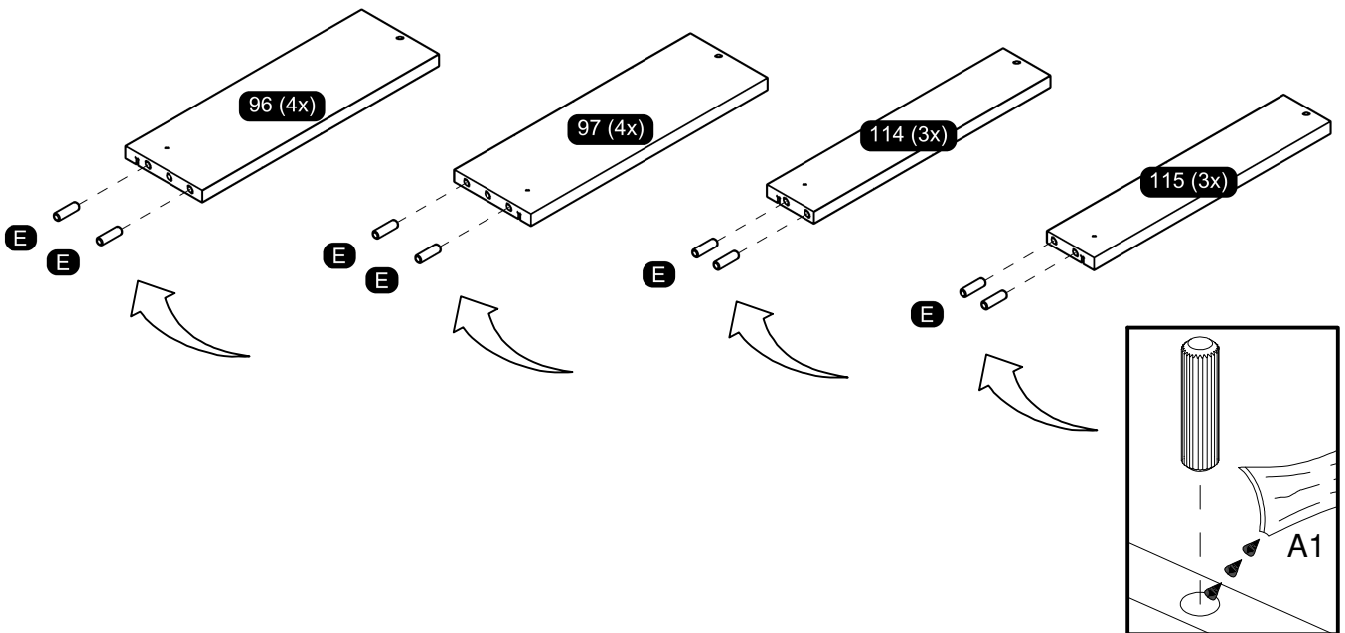
Step 8: Insert hardware part F1 using small mallet (not provided).
 Insert hardware part L17 using hardware part L9 and screwdriver (not provided).
DO NOT use any power tools as this may damage the frame and will invalidate any claim.



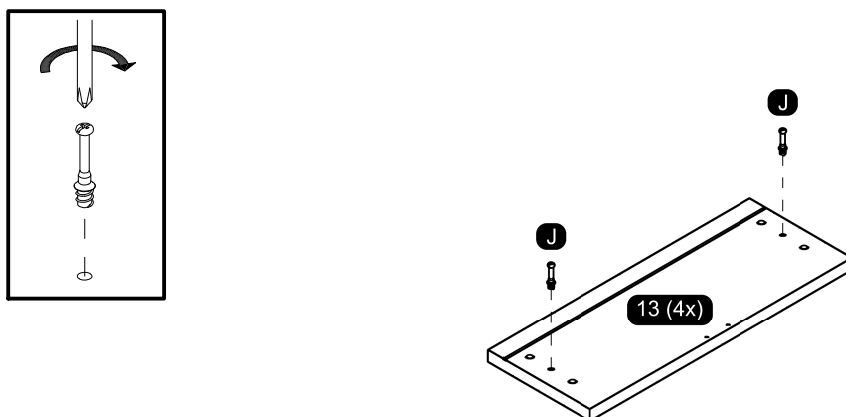
Step 9: Insert hardware part E using small mallet (not provided).
DO NOT use any power tools as this may damage the frame and will invalidate any claim.



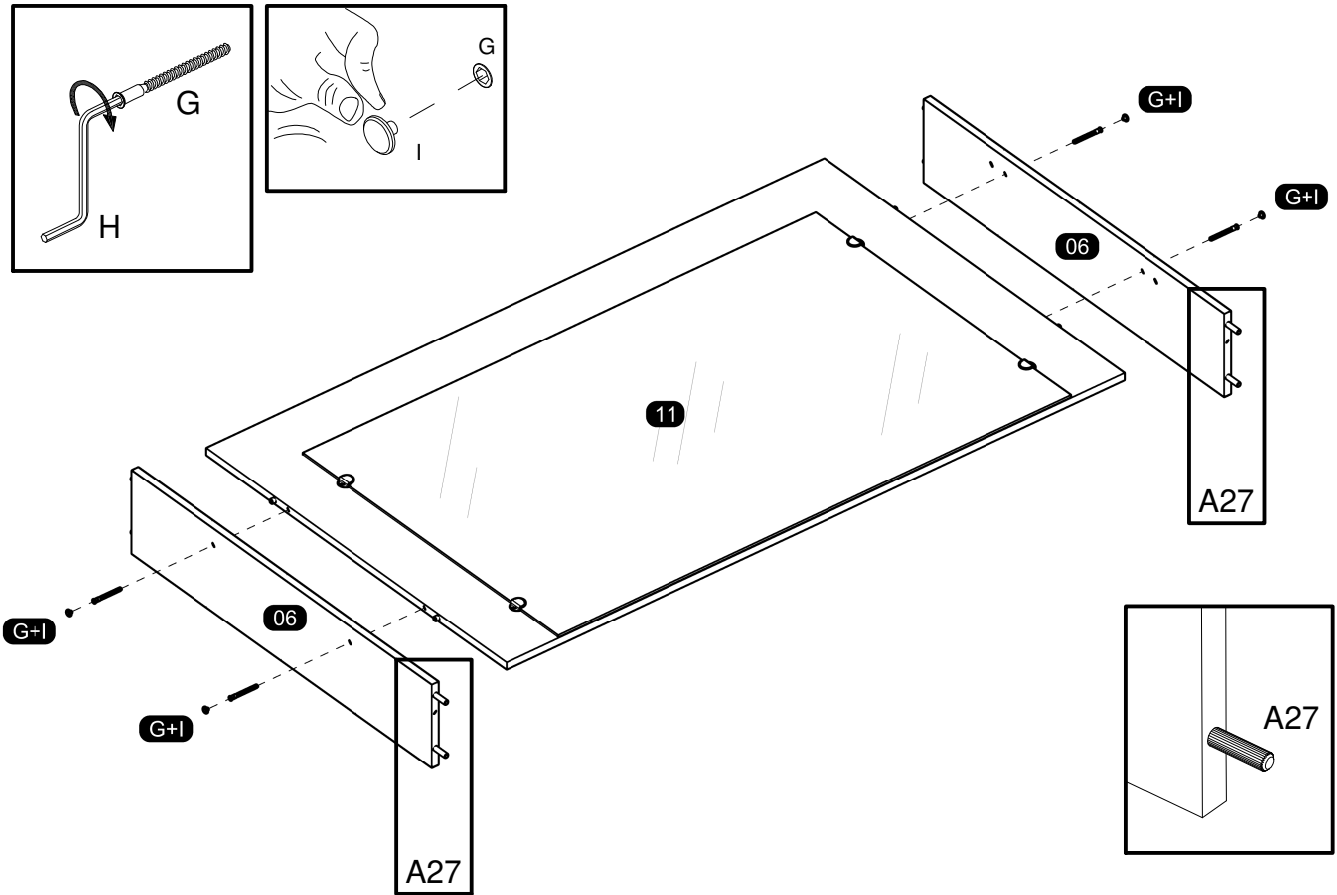
Step 10: Insert hardware part E using small mallet (not provided) and to the hardware part A1.
DO NOT use any power tools as this may damage the frame and will invalidate any claim.



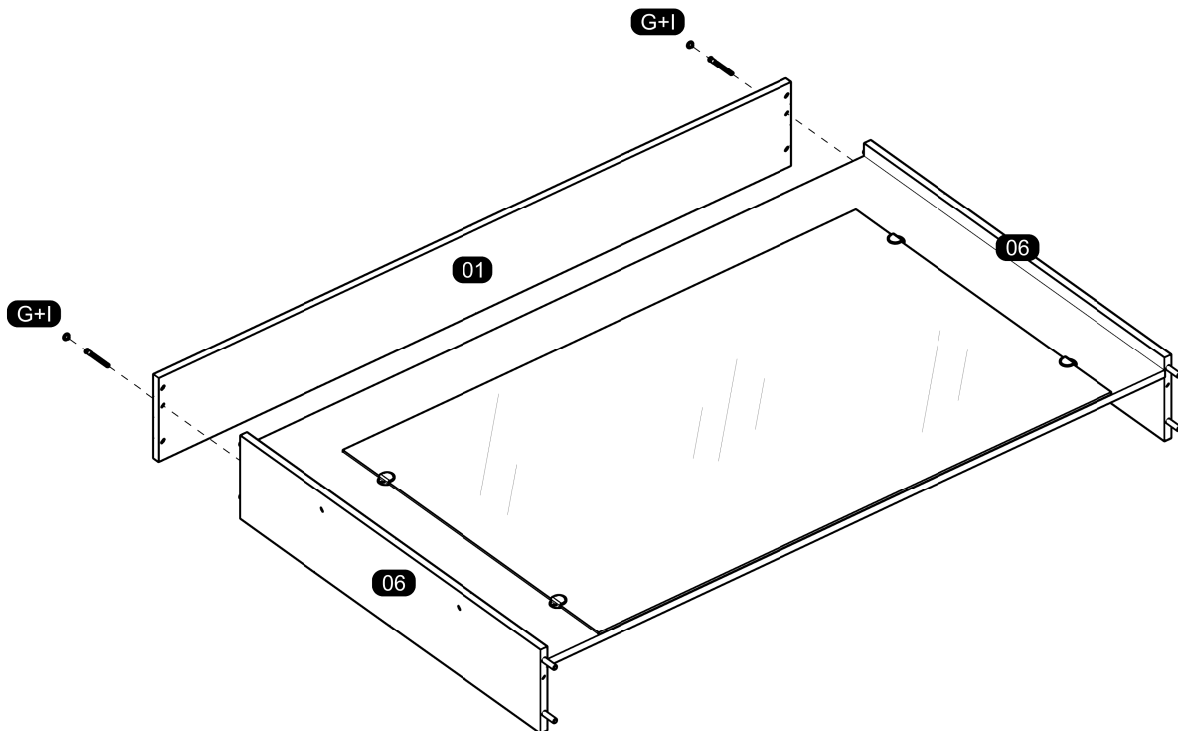
Step 11: Insert hardware part J using and screwdriver (not provided).
DO NOT use any power tools as this may damage the frame and will invalidate any claim.



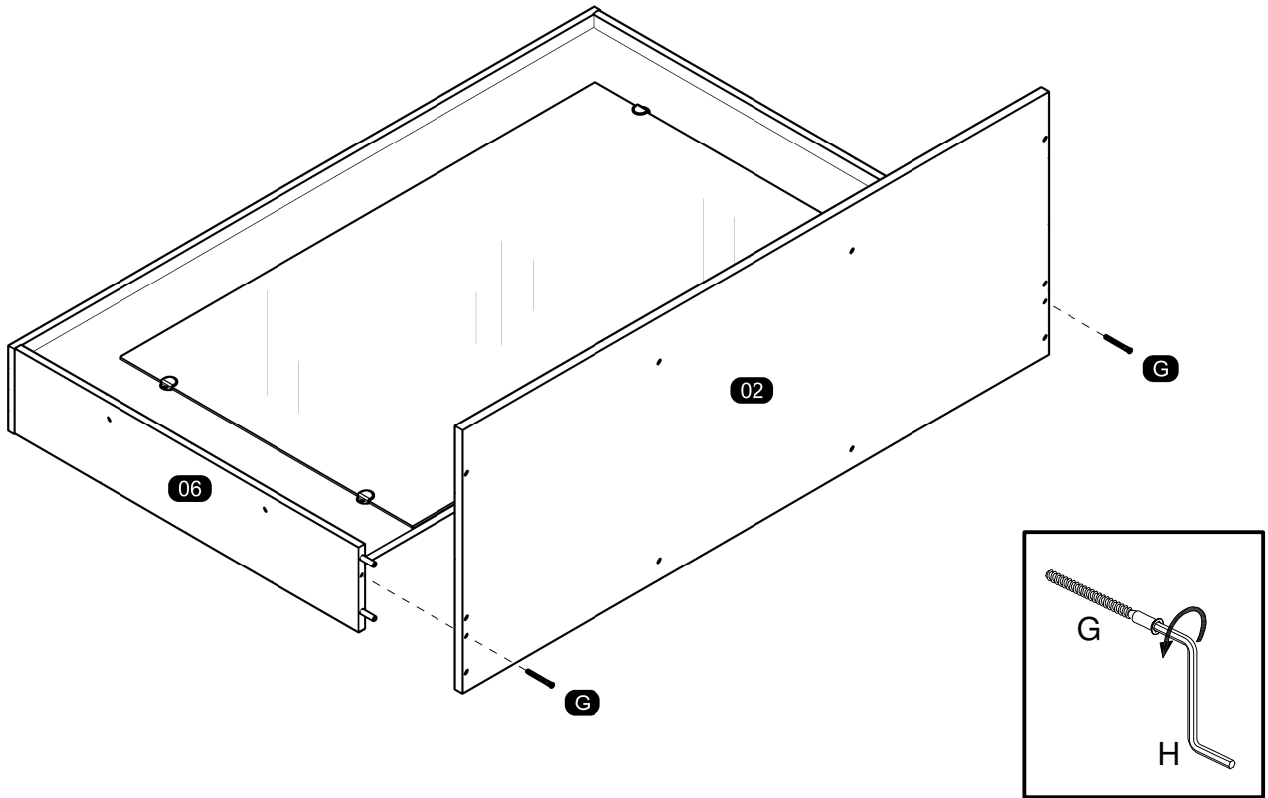
Step 12: Attach the upper panels (06) and mirror panel (11) using the hardware G, H and I.
DO NOT use any power tools as this may damage the frame and will invalidate any claim.



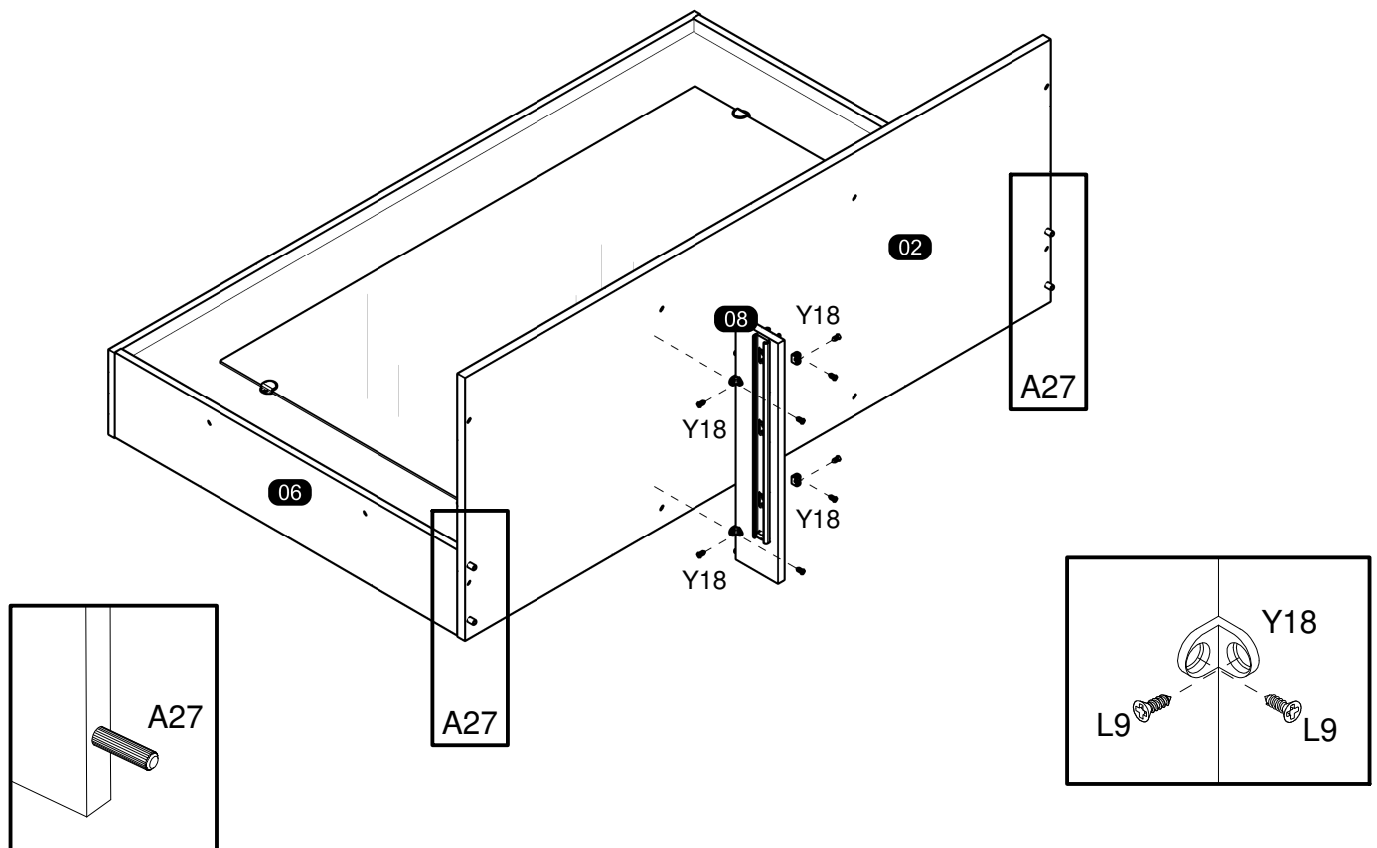
Step 13: Join the upper base (01) to the assembled section using the hardware G, H and I.
DO NOT use any power tools as this may damage the frame and will invalidate any claim.



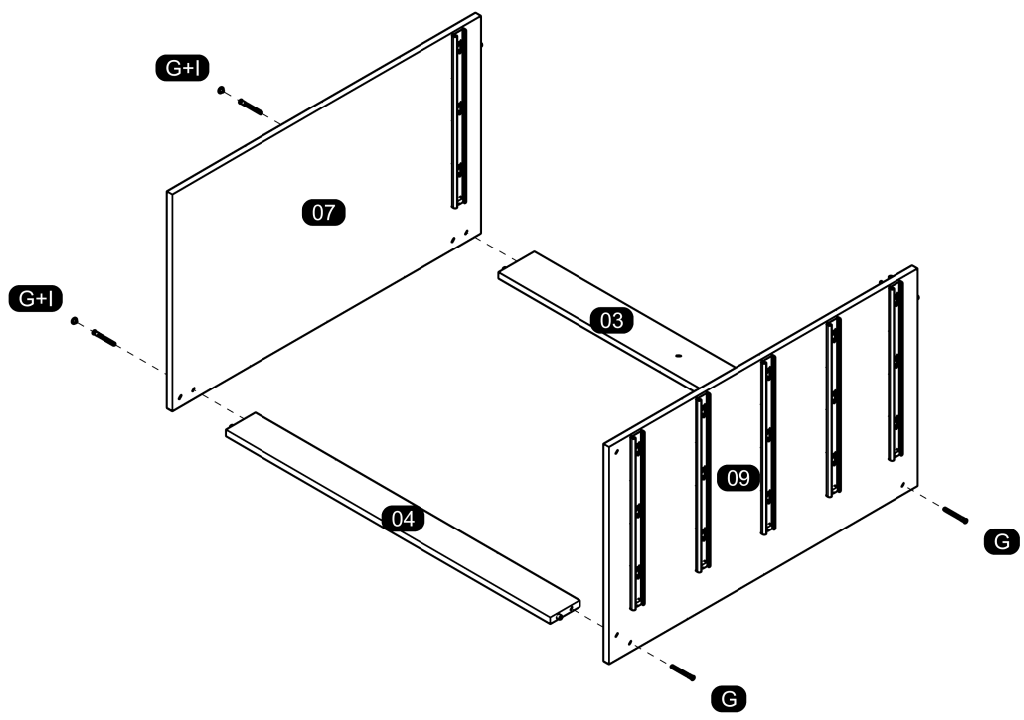
Step 14: Join the top panel (02) to the assembled section using the hardware G and H.
DO NOT use any power tools as this may damage the frame and will invalidate any claim.



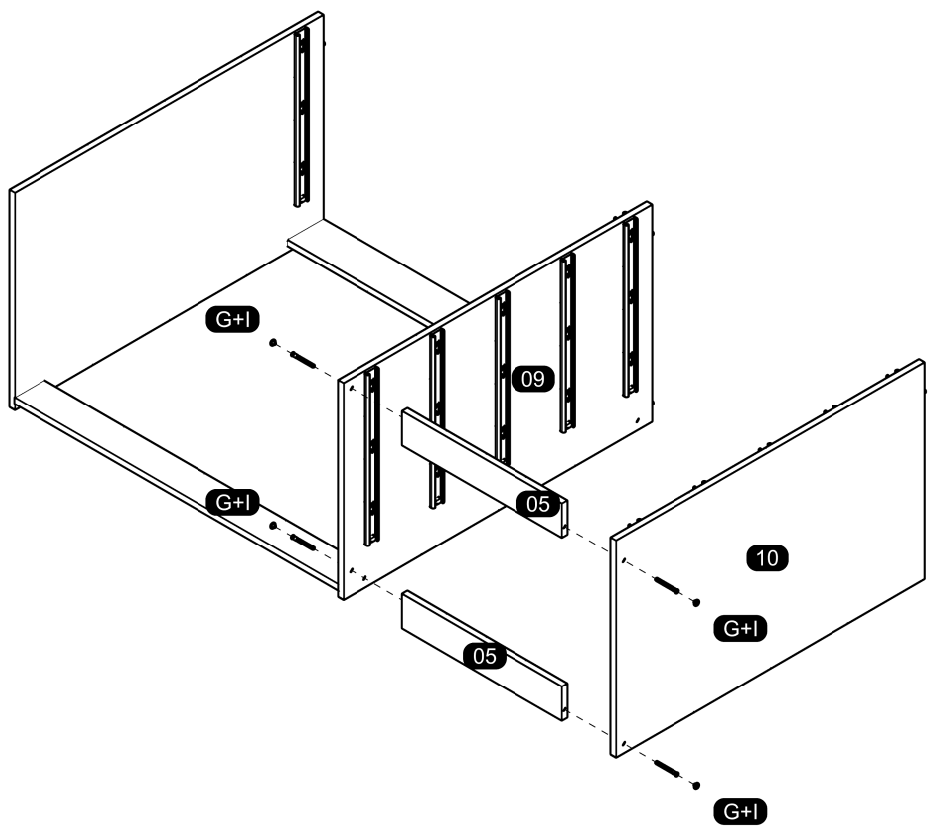
Step 15: Join the left divider panel (08) to the assembled sections using the hardware Y18, L9 and screwdriver (not provided).
DO NOT use any power tools as this may damage the frame and will invalidate any claim.



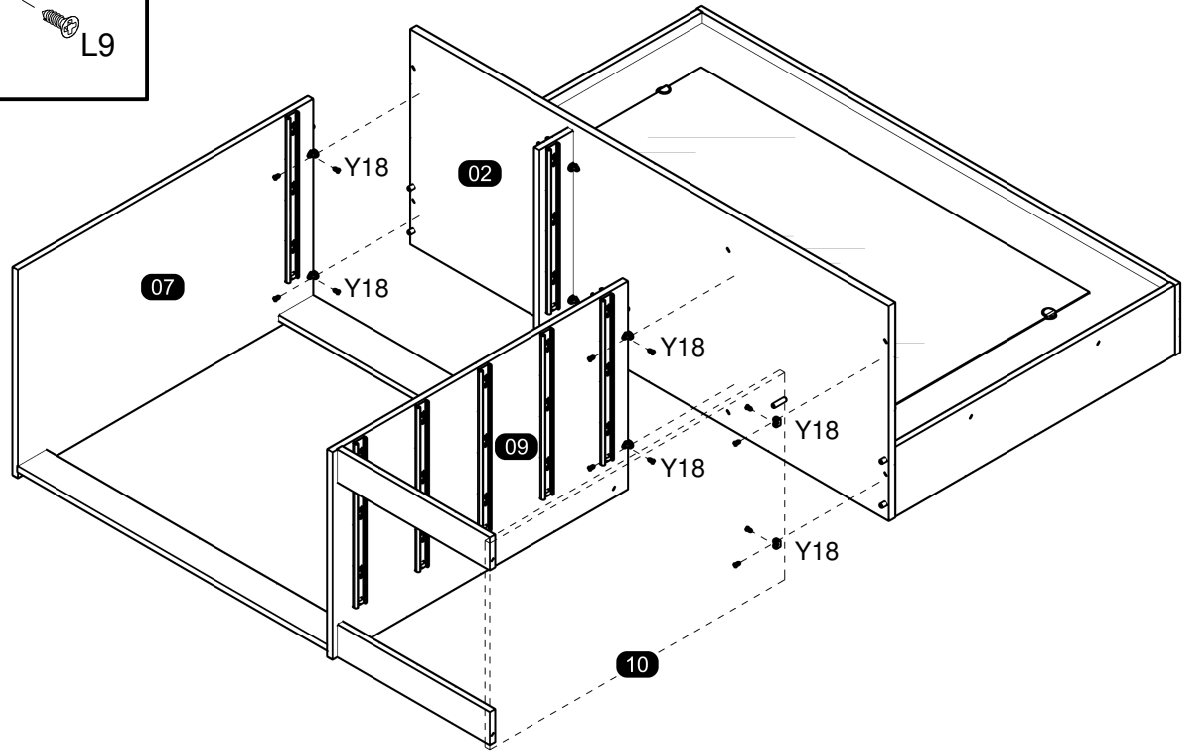
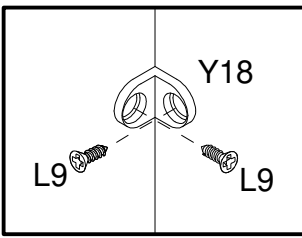
Step 16: Attach the back plinth (03), left plinth (04), left panel (07) and right divider panel (09) using the hardware G, H and I.
DO NOT use any power tools as this may damage the frame and will invalidate any claim.



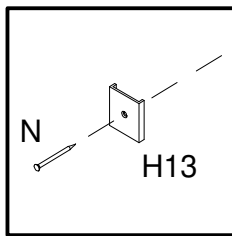
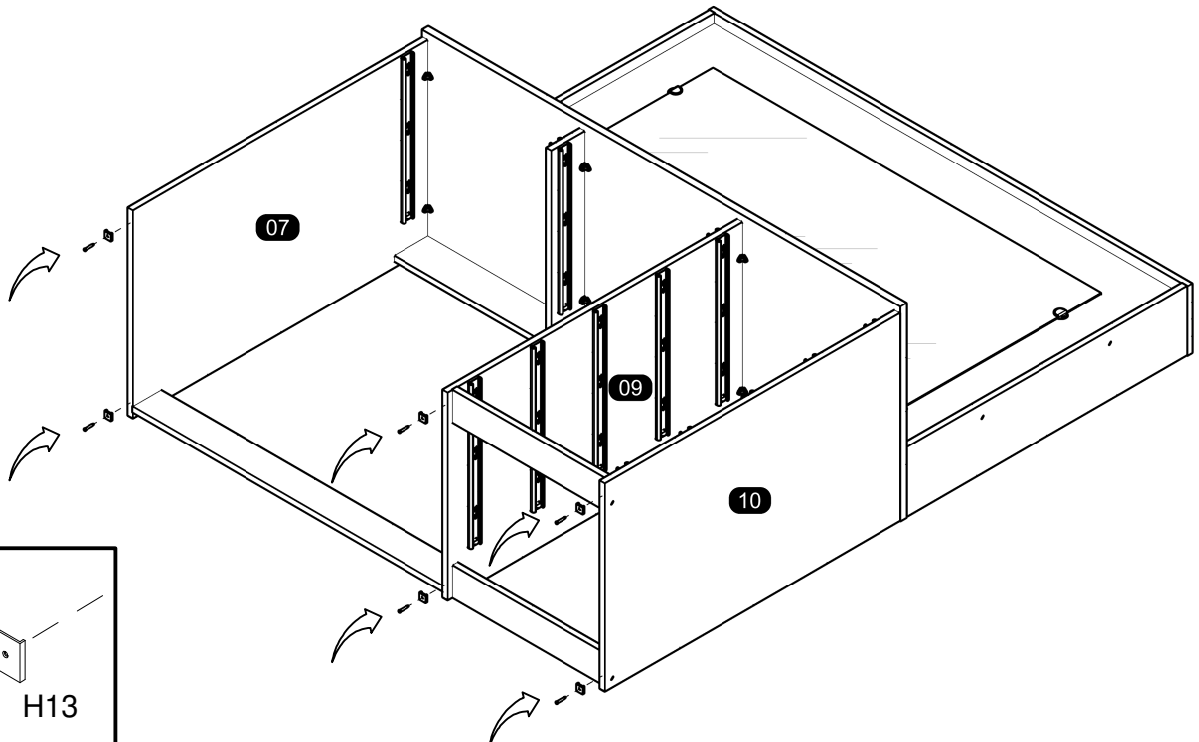
Step 17: Join the right plinth (05) and right panel (10) to the assembled sections using the hardware G, H and I.
DO NOT use any power tools as this may damage the frame and will invalidate any claim.



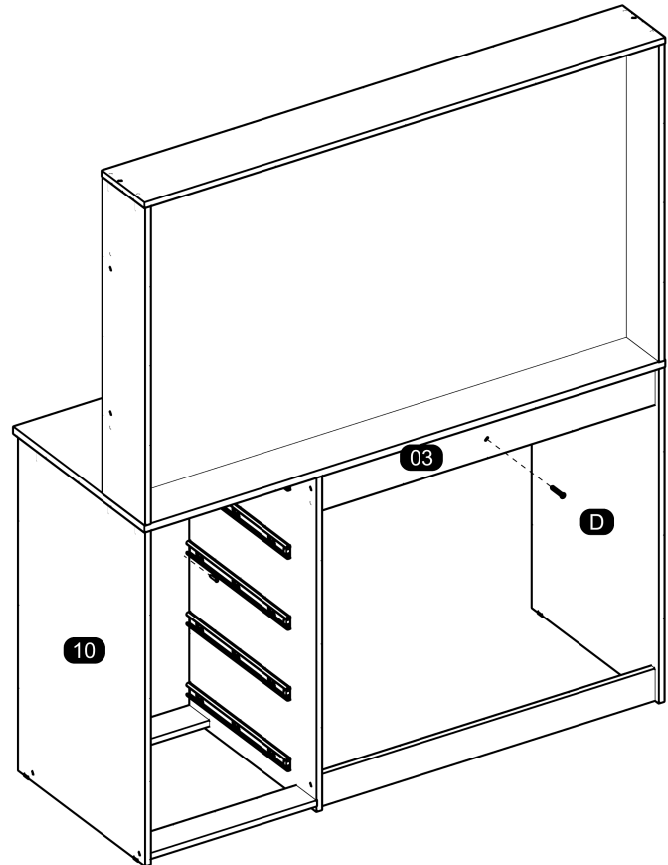
Step 18: Join the assembled parts using the hardware Y18, L9 and screwdriver (not provided).
DO NOT use any power tools as this may damage the frame and will invalidate any claim.



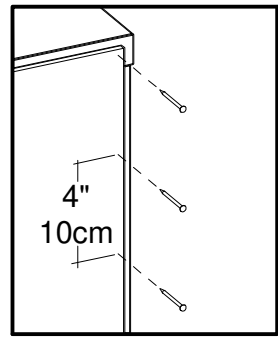
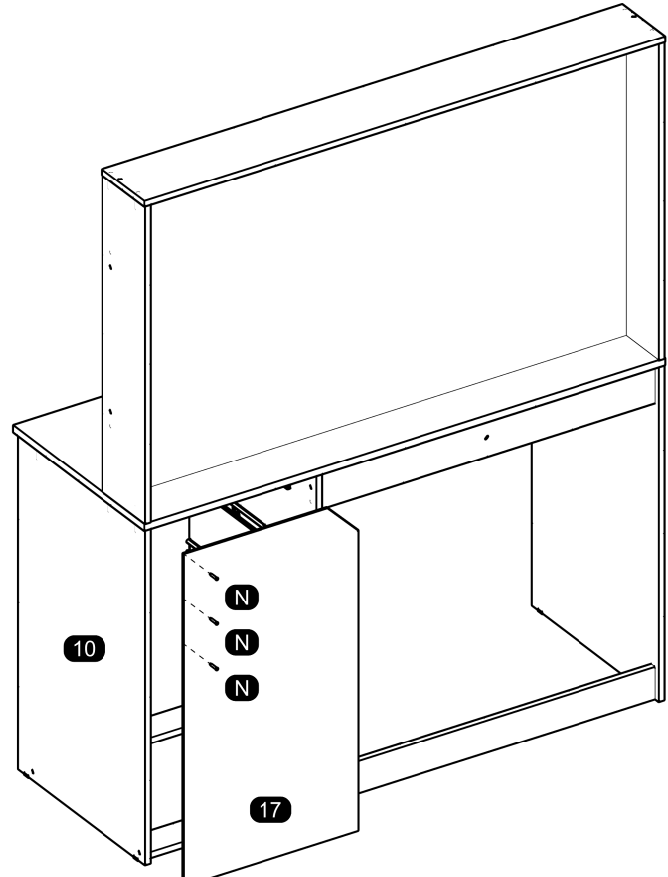
Step 19: Insert hardware part H13 using part N using small mallet (not provided).
DO NOT use any power tools as this may damage the frame and will invalidate any claim.



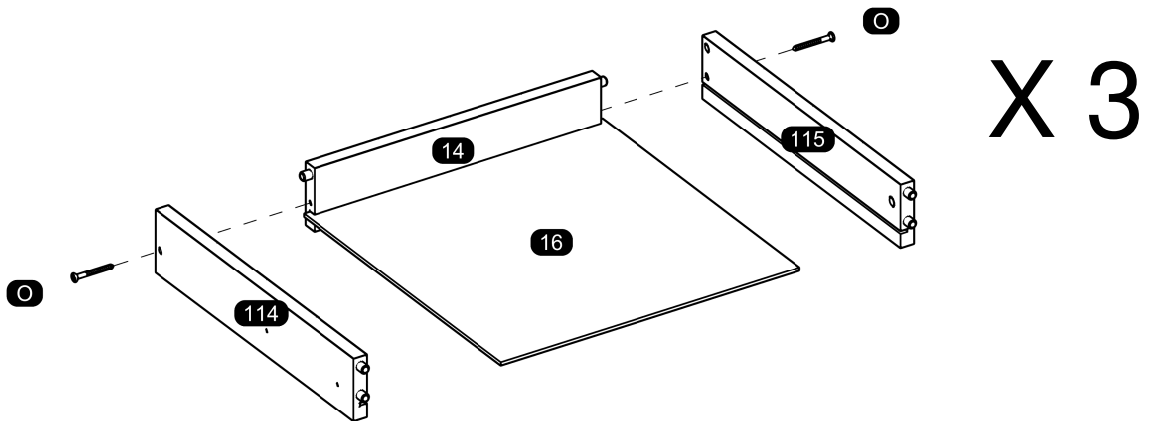
Step 20: Insert hardware part D using screwdriver (not provided).
DO NOT use any power tools as this may damage the frame and will invalidate any claim.



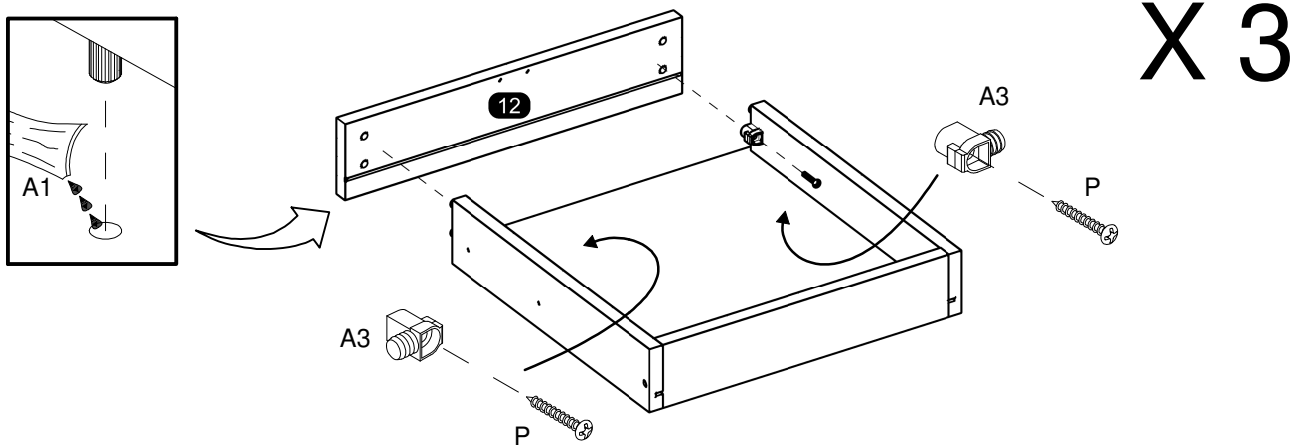
Step 21: Attach the back panel (17) using hardware part N and a small mallet (not provided).
DO NOT use any power tools as this may damage the frame and will invalidate any claim.



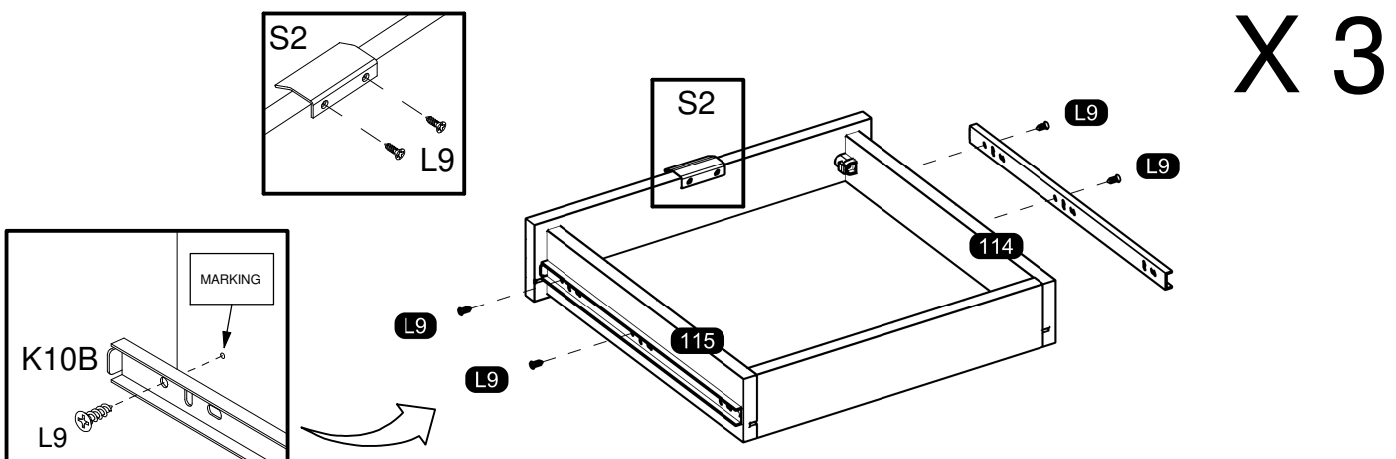
Step 22: Attach the small drawer back (14), left drawer panel (114) and right drawer panel (115) using the hardware O and screwdriver (not provided).
 Join the upper right drawer base (16) to the assembled section.
DO NOT use any power tools as this may damage the frame and will invalidate any claim.



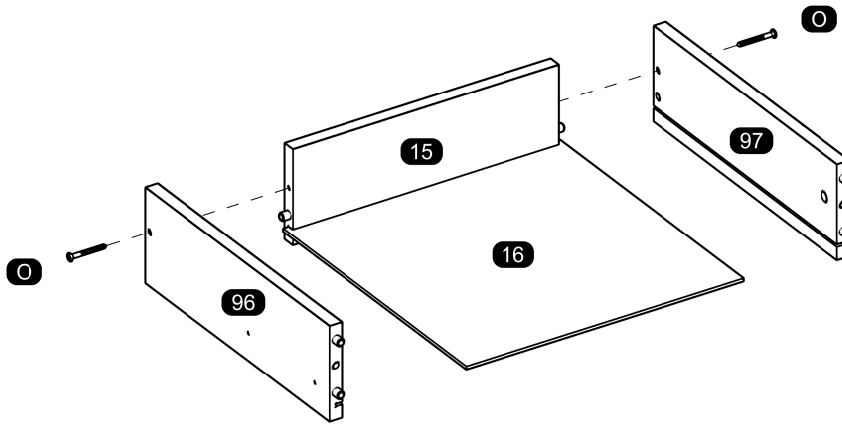
Step 23: Join the small drawer front (12) to the assembled section using the hardware A3, P and screwdriver (not provided).
DO NOT use any power tools as this may damage the frame and will invalidate any claim.



Step 24: Join the telescopic slide L17 to the assembled section using hardware part L9 and screwdriver (not provided).
 Insert hardware part S2 using hardware part L9 and screwdriver (not provided).
DO NOT use any power tools as this may damage the frame and will invalidate any claim.

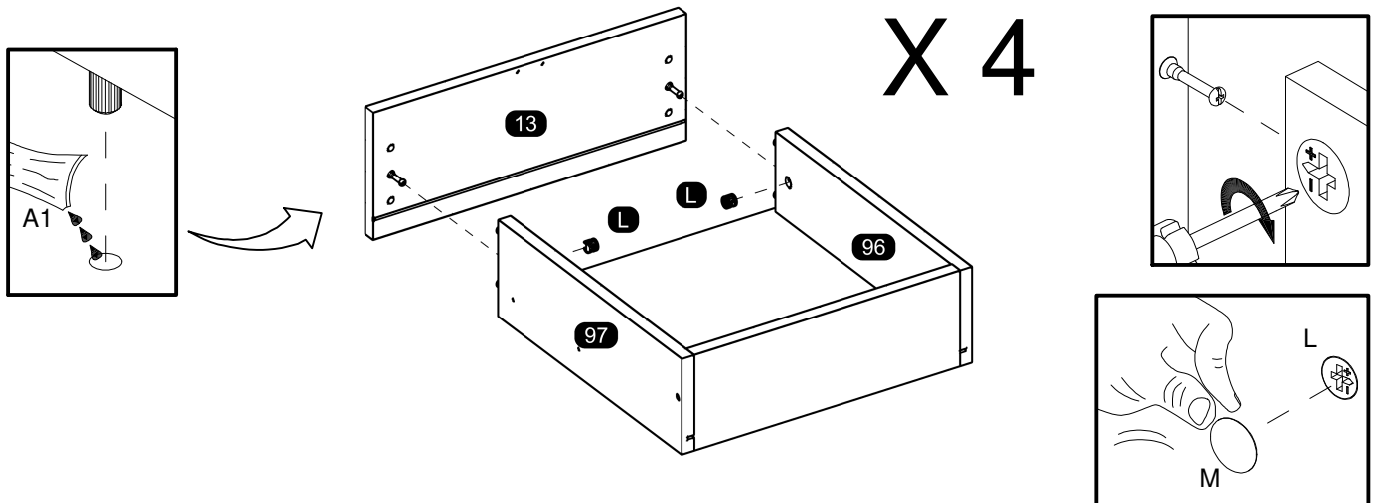


Step 25: Attach the large drawer back (15), left drawer panel (96) and right drawer panel (97) using the hardware O and screwdriver (not provided).
Join the lower drawer base (16) to the assembled section.
DO NOT use any power tools as this may damage the frame and will invalidate any claim.

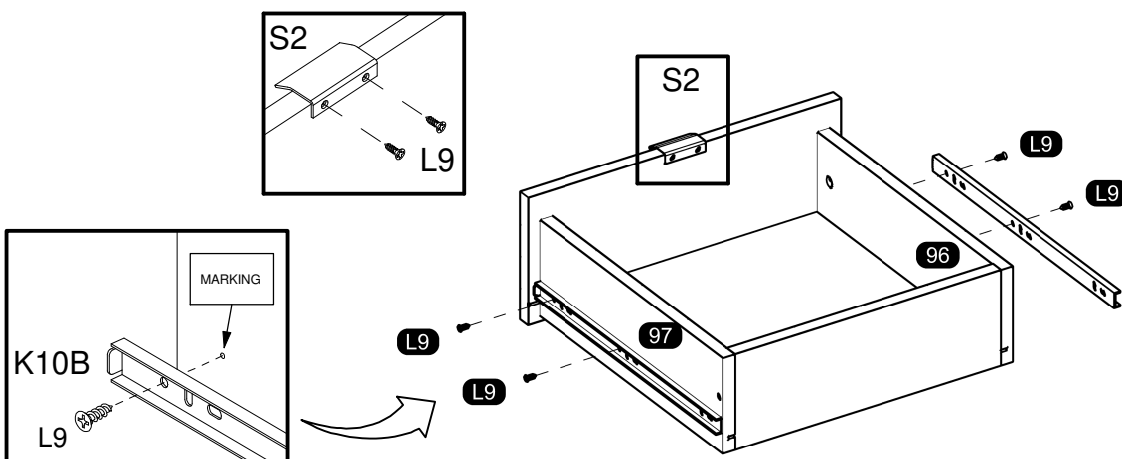


X 4

Step 26: Join the drawer front (13) to the assembled section using the hardware L, M and screwdriver (not provided).
DO NOT use any power tools as this may damage the frame and will invalidate any claim.



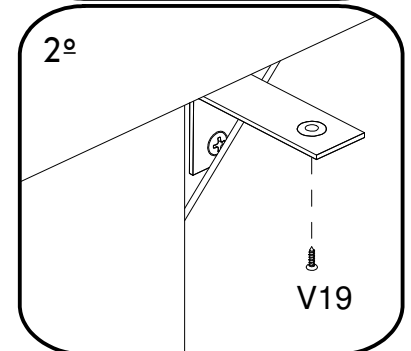
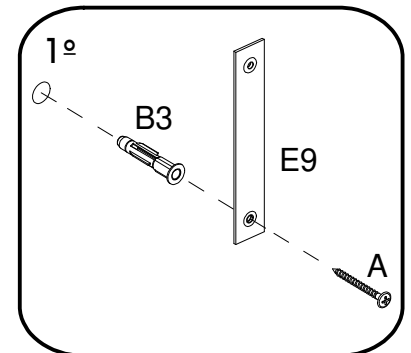
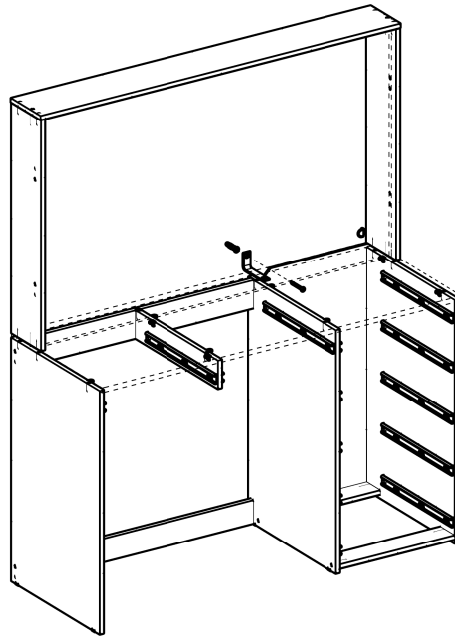
Step 27: Join the telescopic slide L17 to the assembled section using hardware part L9 and screwdriver (not provided).
Insert hardware part S2 using hardware part L9 and screwdriver (not provided).
DO NOT use any power tools as this may damage the frame and will invalidate any claim.



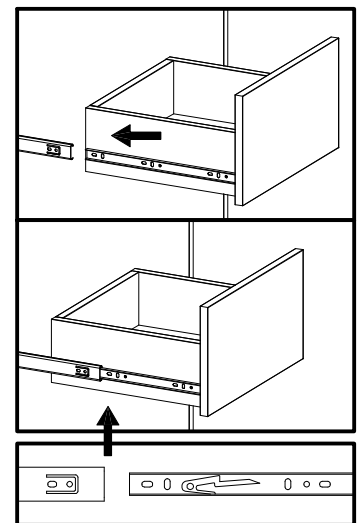
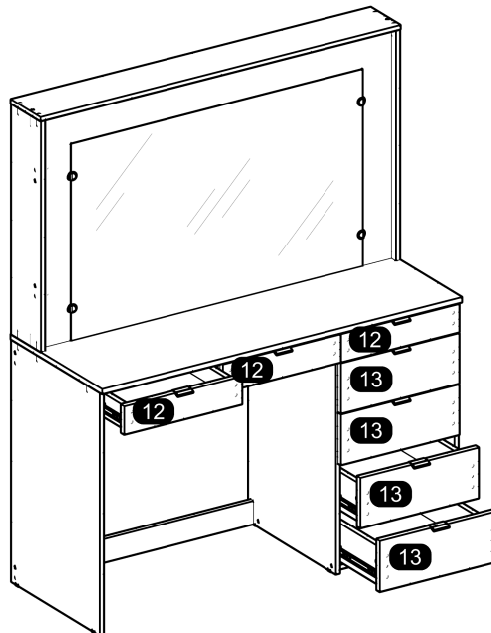
Step 28: To secure the item to the wall use hardware parts E9, B3 and A using a screwdriver (not provided). Then attach hardware part V19 to the item with a screwdriver (not provided).

DO NOT use any power tools as this may damage the frame and will invalidate any claim.

Birlea Furniture advise you use the wall straps provided to further enhance the safety of this product



Step 29: Connect the drawers on the telescopic slide L17.



Additional Information:

- For complete product information, images and dimension diagrams please visit the website www.birlea.com
- If you have any issues with your item please contact the retailer directly you purchased it from who will be able to resolve any issues with Birlea.
- Why don't you send us photos of your assembled furniture to info@birlea.com to be shared in our #birleahome feature on Instagram.

Birlea®