



Birlea

Suppliers of inspiration

Assembly Instructions

Thank you for purchasing a Birlea product.

For a chance to win a Love 2 Shop voucher simply post a picture of your new product on your preferred social channels tagging Birlea Furniture and using the hashtag #ShareYourStyle and #Birlea. One winner will be selected at random each month.

To view our full terms and conditions please visit our website. www.birlea.com

Are you happy with your purchase?

Yes: That's great, we would love to hear more from you. Please leave us a review on our social media channels or Trustpilot. Your feedback will be greatly appreciated.

No: If for any reason there is something missing, indifferent or incorrect with your order, please contact the retailer you purchased the item from. We will work with the retailer to resolve your issue as quickly as possible.



www.birlea.com



Birlea

Suppliers of inspiration

Assembly Video

For a step by step guide on how to build our Edgeware Small TV Unit visit our YouTube channel 'BirleaFurnitureLtd' or alternatively scan the QR code on your smart phone.



How to scan a QR code from an apple device

Step One: Open up the camera app

Step Two: Hold the device's camera up to the QR code

Step Three: Your Apple device will automatically recognise the QR code and provide you with a link to the video.

How to scan a QR code from an android device

Step One: Download the QR Code reader application from the Play Store.

Step Two: Open the QR code application and open the camera.

Step Three: Your Android device will automatically recognise the QR code and provide you with a link to the video.

How to scan a QR code from a Windows device

Step One: Open up the camera app

Step Two: Hold the device's camera up to the QR code

Step Three: Your Windows device will automatically recognise the QR code and provide you with a link to the video.

Please ensure that your device is up to date with the latest operating system.



Birlea

Suppliers of inspiration

Vendor: S000139



ASSEMBLY INSTRUCTIONS EDGEWARE SMALL TV UNIT

IMPORTANT: READ THESE INSTRUCTIONS CAREFULLY BEFORE ASSEMBLING OR USING YOUR EDGEWARE SMALL TV UNIT

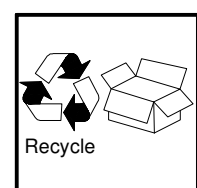
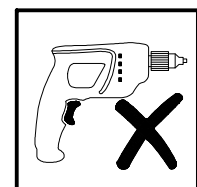
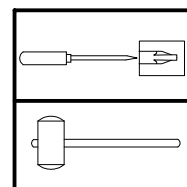
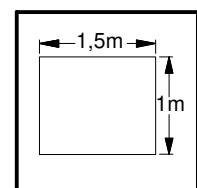
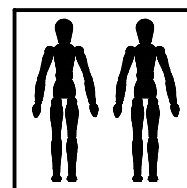
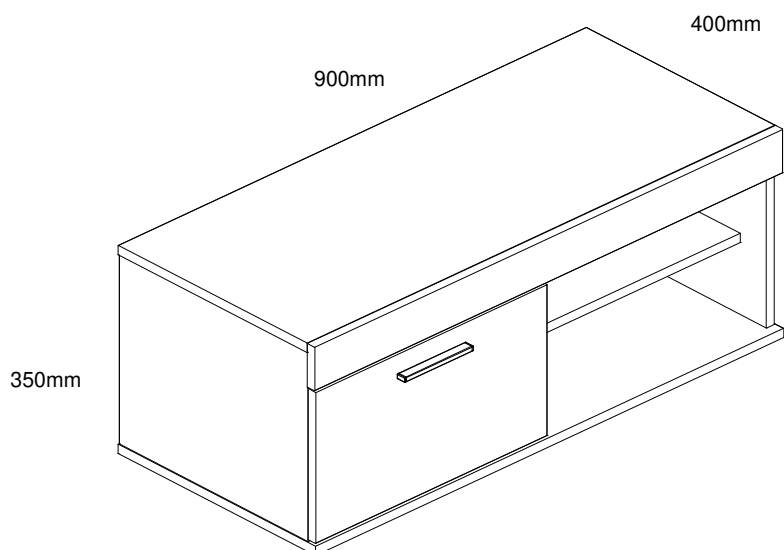
PLEASE KEEP THESE INSTRUCTIONS FOR FUTURE REFERENCE.

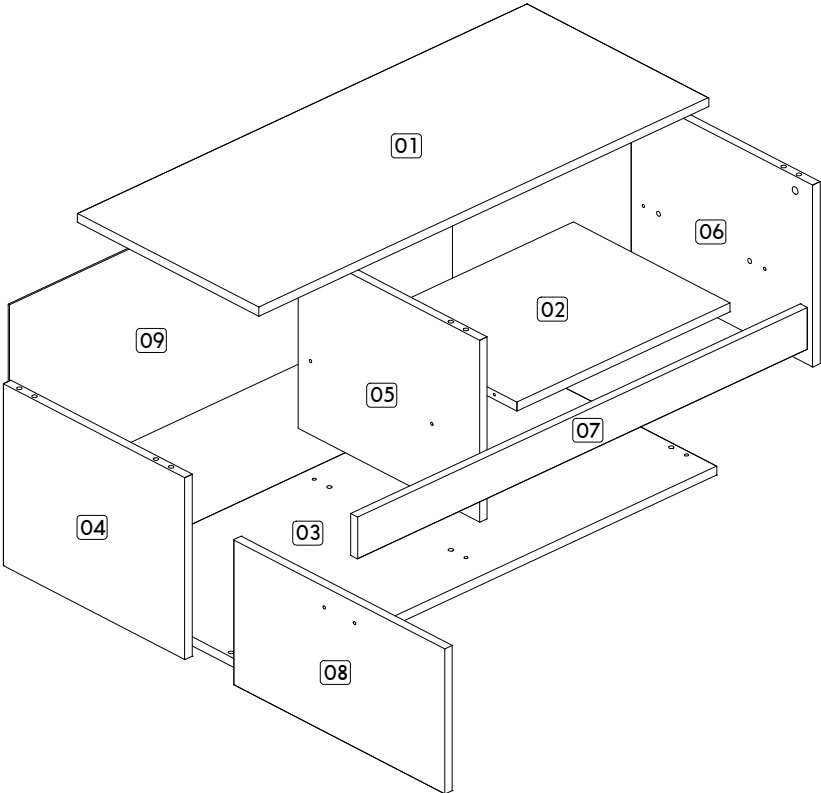
HEALTH & SAFETY:

DO NOT use this item if any parts are missing, damaged or worn.
DO NOT use this item unless all fixings are secured.
Please keep small parts out of reach of children
Always use on a level, even surface.

CARE & MAINTENANCE:

Assemble in the room of use
Assembly should be carried out with this item laying flat, not standing upright.
Assemble on a soft, clean surface to prevent damages.
To remove the printed numbers on the pieces, use the eraser provided
Periodically check all screws & fixings to ensure they are secure.
DO NOT push the item as this will damage the base.
Always lift the item with two people to reposition.
Keep any sharp objects away from the item.





Parts List			
Part	Description	Box	Qty
1	Upper Base	1	1
2	Shelf	1	1
3	Bottom Base	1	1
4	Left Side	1	1
5	Division	1	1
6	Right Side	1	1
7	Frame	1	1
8	Door	1	1
9	Back	1	1

Hardware List		
Part	Description	Qty
A8	3,5 x 20 mm Screw	6
B5	Metal Bracket 46mm	3
D5	Hinge Part 1	2
E	8 x 30 mm Wooden Dowel	16
F9	Hinge Part 2	2
G	Structural Screw	4
H	Allen Key	1
I	Stud	4
J	Simple Minifix Screw	6
L	Cam Lock	6
L4	Small Plastic Foot	6
N	10 x 10 mm Tack	22
O	4,5 x 45 mm Screw	6
P7	Handle	1
S	3,5 x 14 mm Screw	20
T	3,5 x 25 mm Screw	2

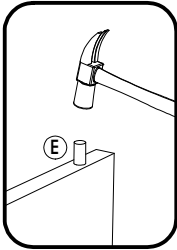
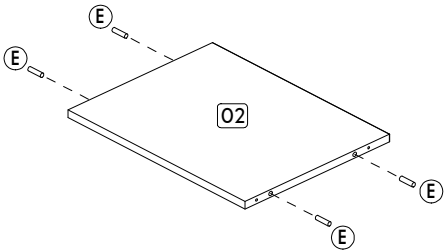
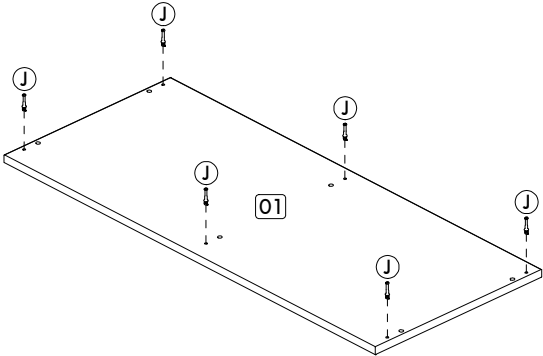
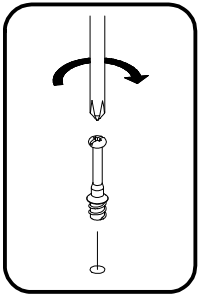
**** You will need a small mallet and a screwdriver for assembly.**

**** Some screws and wooden dowel may remain.**



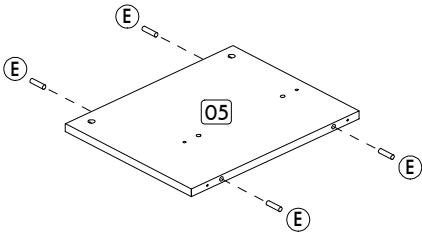
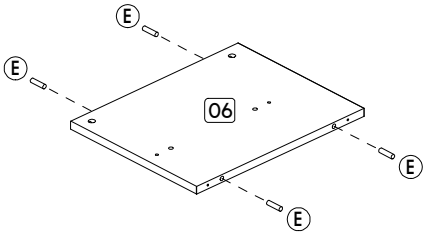
Step 1: Attach the hardware part J to the upper base (01) using the a screwdriver (not provided). Then attach the hardware part E to the shelf (02) using a small mallet (not provided).

DO NOT use any power tools as this may damage the frame and will invalidate any claim.

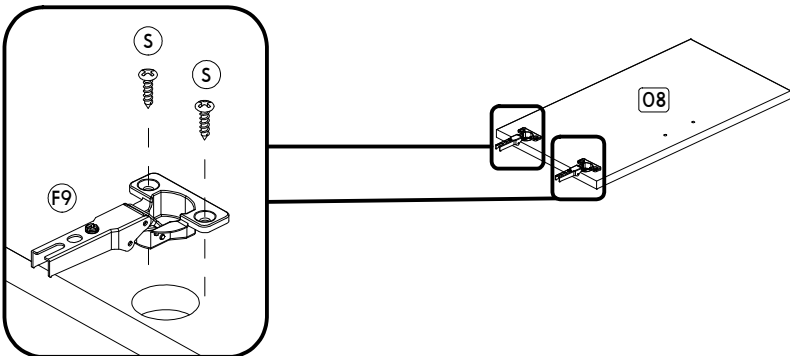


Step 2: Attach hardware part E to the division (05) and to the right side (06) using a small mallet (not provided).

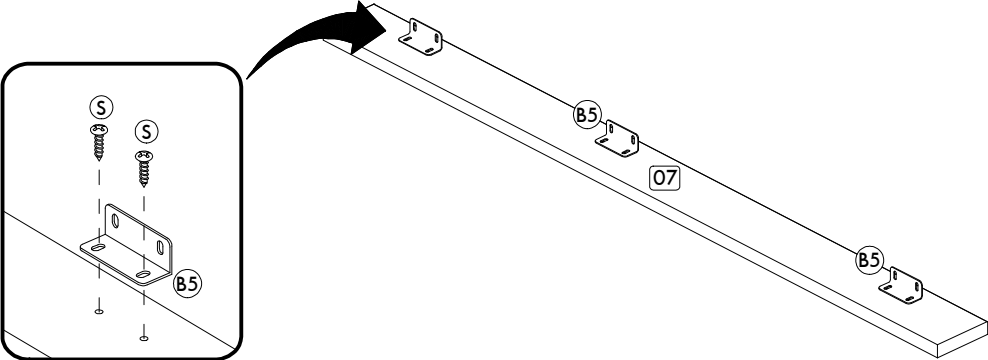
DO NOT use any power tools as this may damage the frame and will invalidate any claim.



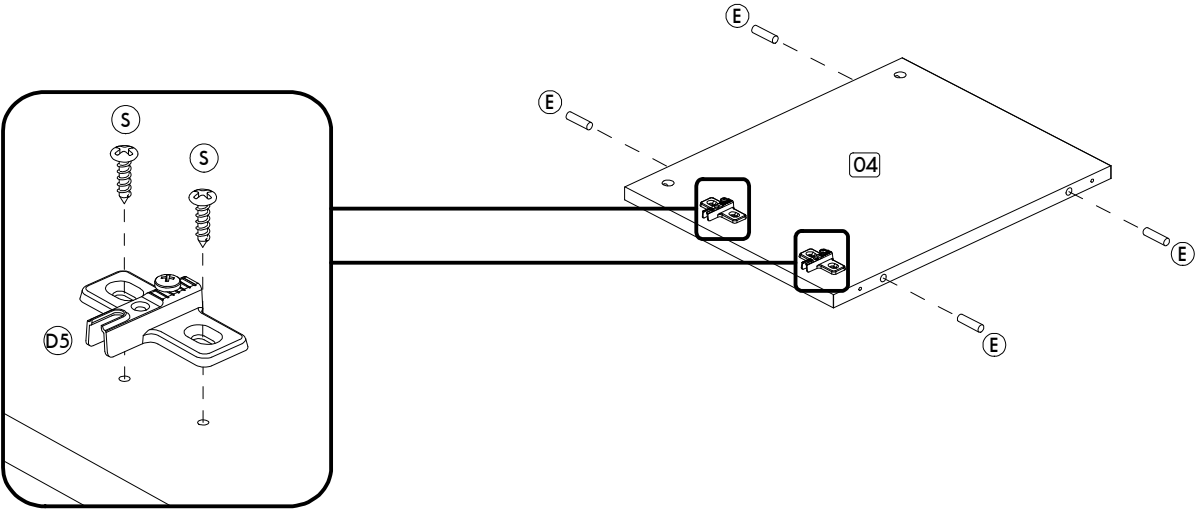
Step 3: Attach the hardware part F9 to the door (8) using hardware part S with a screwdriver (not provided). **DO NOT use any power tools as this may damage the frame and will invalidate any claim.**



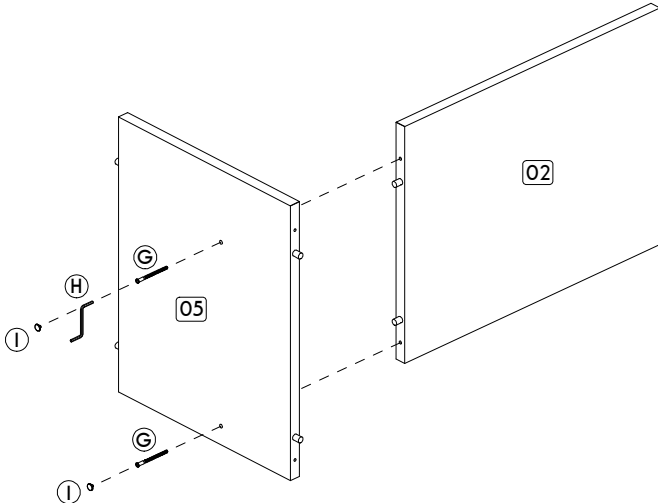
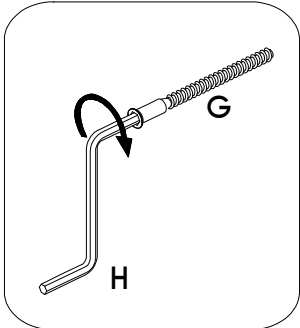
Step 4: Attach hardware part B5 to the frame (7) using hardware part S and a screwdriver (not provided). **DO NOT use any power tools as this may damage the frame and will invalidate any claim.**



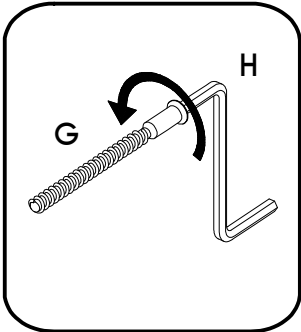
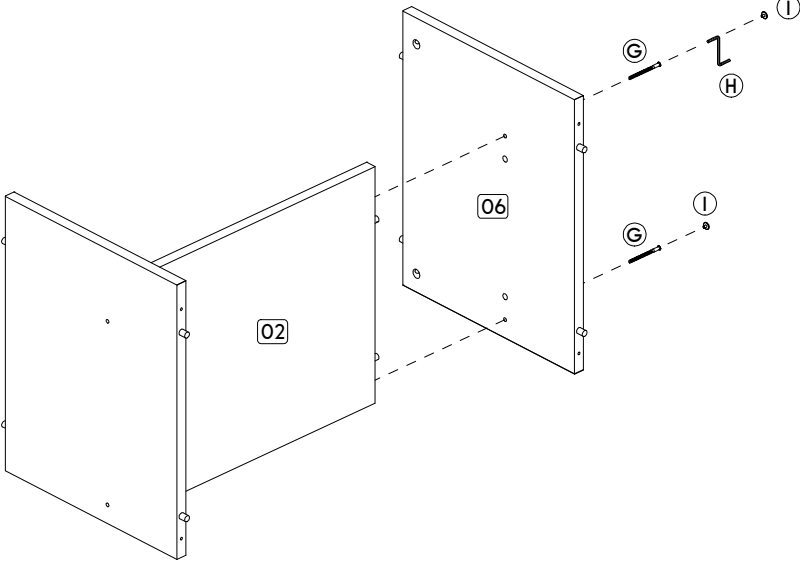
Step 5: Attach hardware part D5 to the left side (4) using hardware part S and screwdriver (not provided). **DO NOT use any power tools as this may damage the frame and will invalidate any claim.**



Step 6: Attach the division (5) in the shelf (2), using the hardware part G, H and I.
DO NOT use any power tools as this may damage the frame and will invalidate any claim.

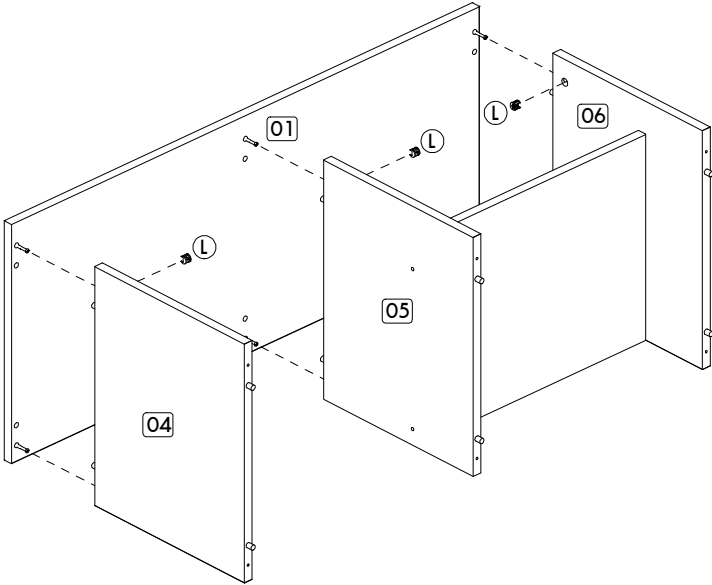
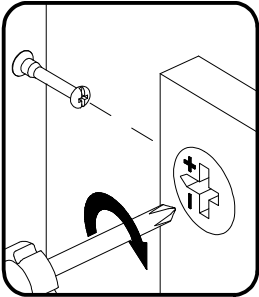


Step 7: Attach the shelf (2) in the right side (6), using the hardware part G, H and I.
DO NOT use any power tools as this may damage the frame and will invalidate any claim.



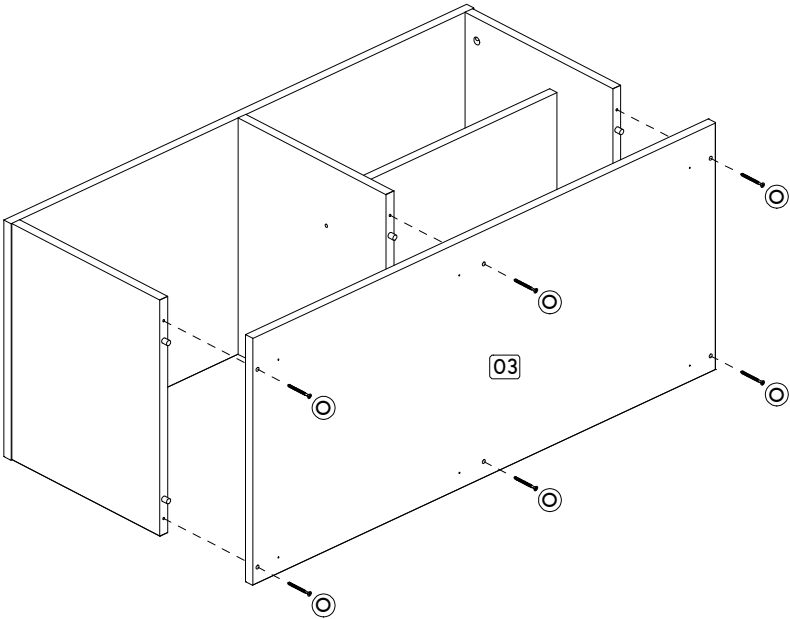
Step 8: Attach the left side (4), the division (5), right side (6), to the top base (1) using the hardware part L and a screwdriver (not provided).

DO NOT use any power tools as this may damage the frame and will invalidate any claim.



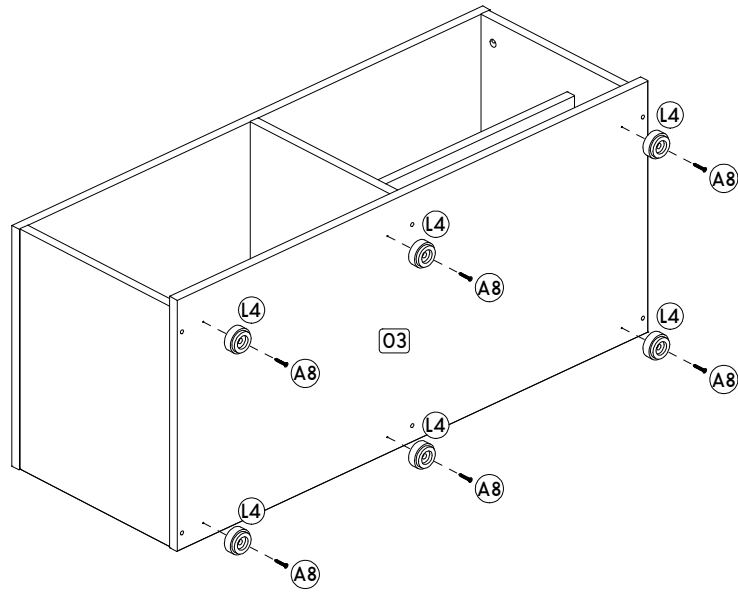
Step 9: Join the bottom base (03) to the assembled section using hardware part O and a screwdriver (not provided).

DO NOT use any power tools as this may damage the frame and will invalidate any claim.

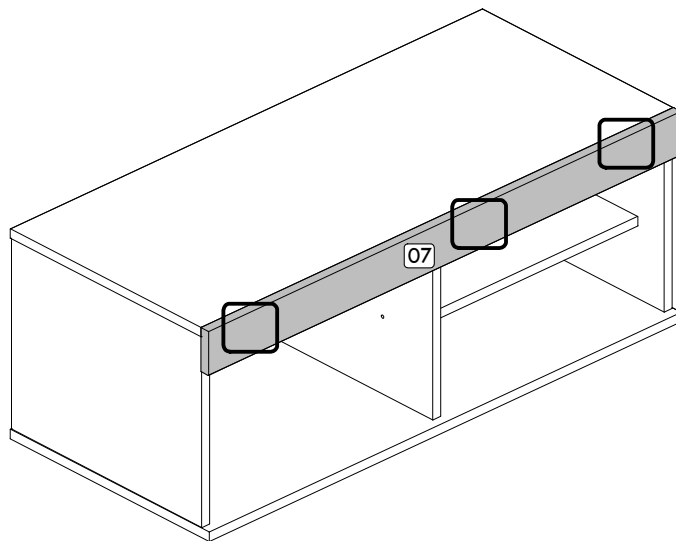
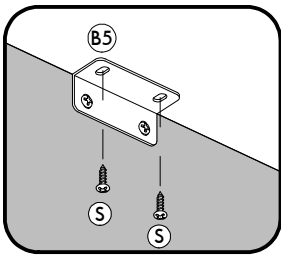


Step 10: Attach the hardware part L4 to the bottom base (3) using hardware part A8 and a screwdriver (not provided).

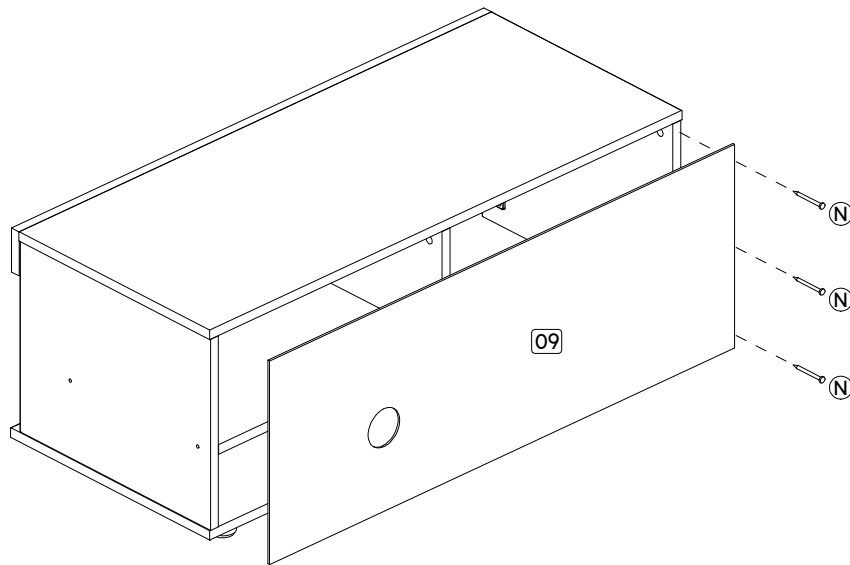
DO NOT use any power tools as this may damage the frame and will invalidate any claim.



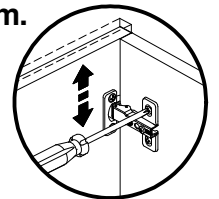
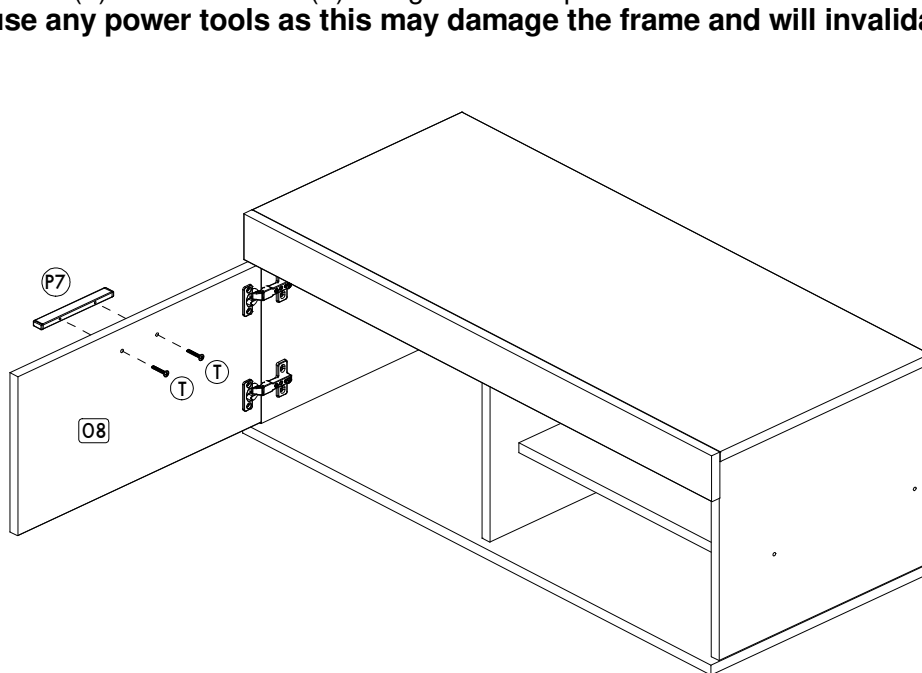
Step 11: Attach the frame (7) using the hardware parts B5 and S and a screwdriver (not provided).
DO NOT use any power tools as this may damage the frame and will invalidate any claim.



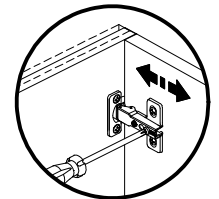
Step 12: Attach the back (9) using the hardware part N and a small mallet (not provided).
DO NOT use any power tools as this may damage the frame and will invalidate any claim.



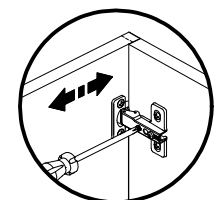
Step 13: Attach hardware part P7 to the door (8) using hardware part T and a screwdriver (not provided), then attach the door (8) to the left side (4) using hardware part F9 and D5.
DO NOT use any power tools as this may damage the frame and will invalidate any claim.



Vertical Adjustment



Depth Adjustment



Horizontal Adjustment

Additional Information:

- For complete product information, images and dimension diagrams please visit the website www.birlea.com
- If you have any issues with your item please contact the retailer directly you purchased it from who will be able to resolve any issues with Birlea.
- Why don't you send us photos of your assembled furniture to info@birlea.com to be shared in our #birleahome feature on Instagram.



Birlea

Suppliers of inspiration