



# Birlea

Suppliers of inspiration

## Assembly Instructions

Thank you for  
purchasing a  
**Birlea** product.

For a chance to win a Love 2 Shop voucher simply post a picture of your new product on your preferred social channels tagging Birlea Furniture and using the hashtag **#ShareYourStyle** and **#Birlea**. One winner will be selected at random each month.

To view our full terms and conditions please visit [www.birlea.com](http://www.birlea.com)

### Are you happy with your purchase?

**Yes:** That's great, we would love to hear more from you. Please leave us a review on our social media channels or Trustpilot. Your feedback will be greatly appreciated.

**No:** If for any reason there is something missing, indifferent or incorrect with your order, please contact the retailer you purchased the item from. We will work with the retailer to resolve your issue as quickly as possible.









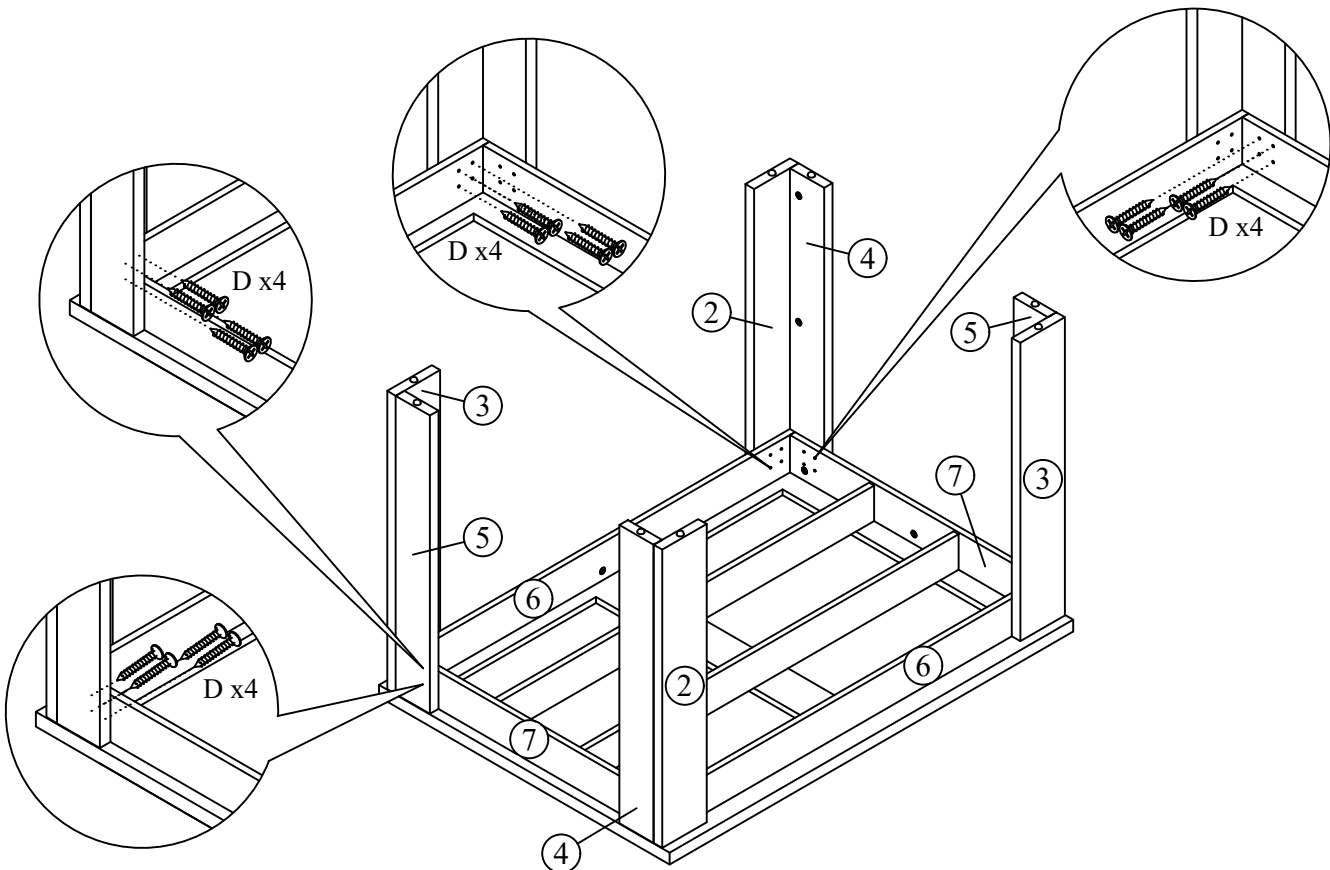




6

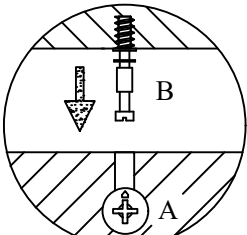


Fix the table horizontal outer panels (6) and table side panels (7) to table leg panels (2) & (3) & (4) and (5) with screw (D) by screwdriver (not provided). **DO NOT** use any power tools as this may damage the frame and will invalidate any claim.

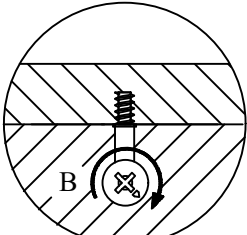


7

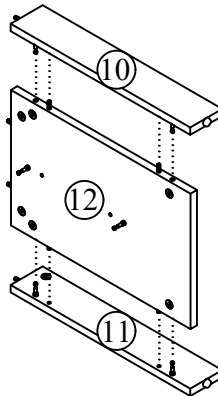
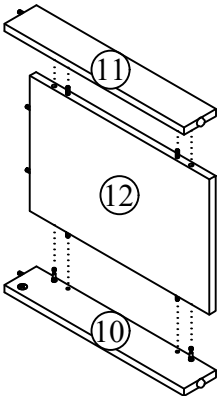
Fix the bench leg panels (10) and (11) to the bench side panel (12) by using a screwdriver (not provided). **DO NOT** use any power tools as this may damage the frame and will invalidate any claim.



Unlock

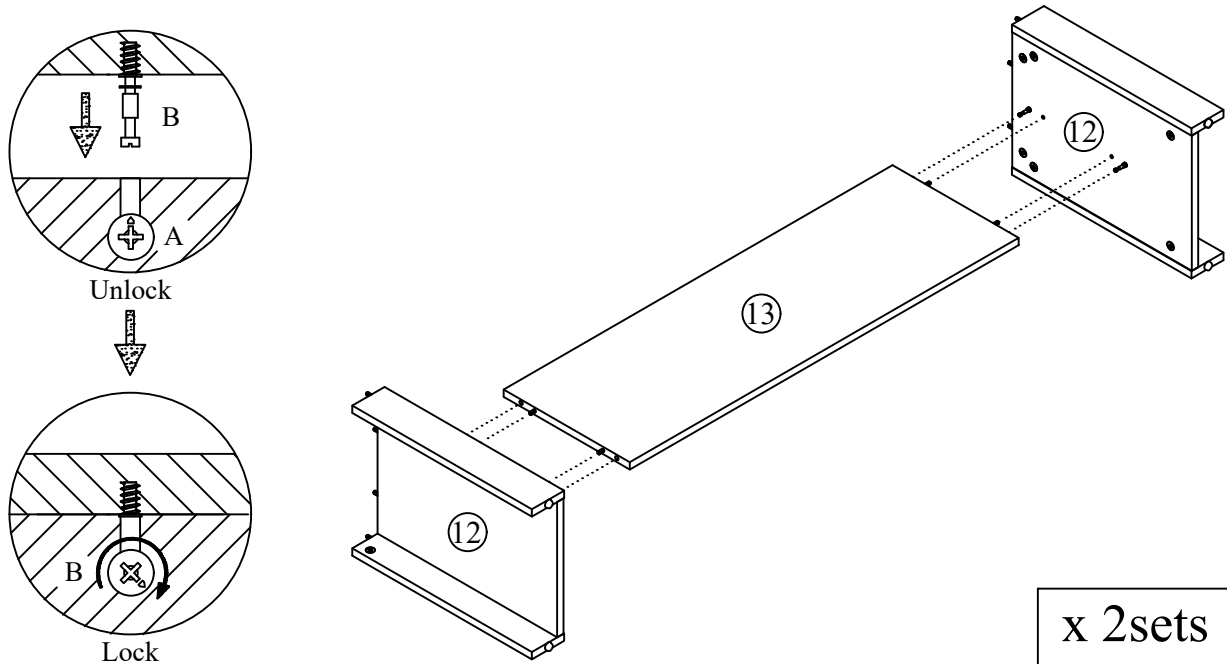


Lock

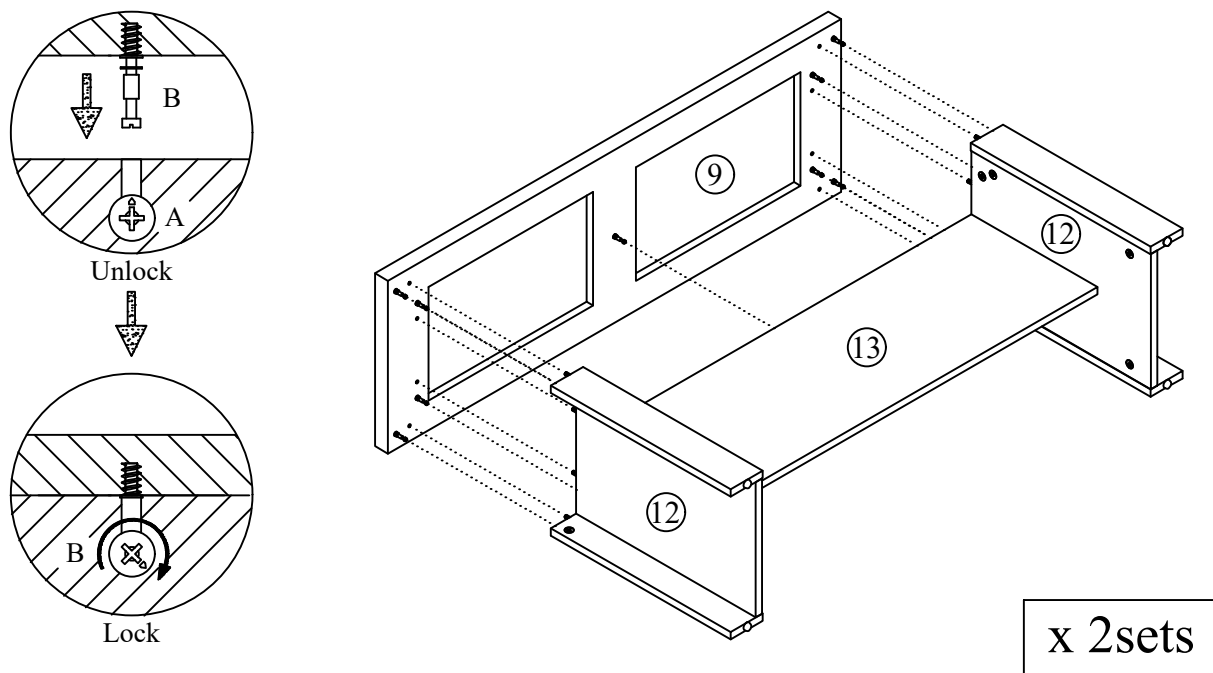


x 2sets

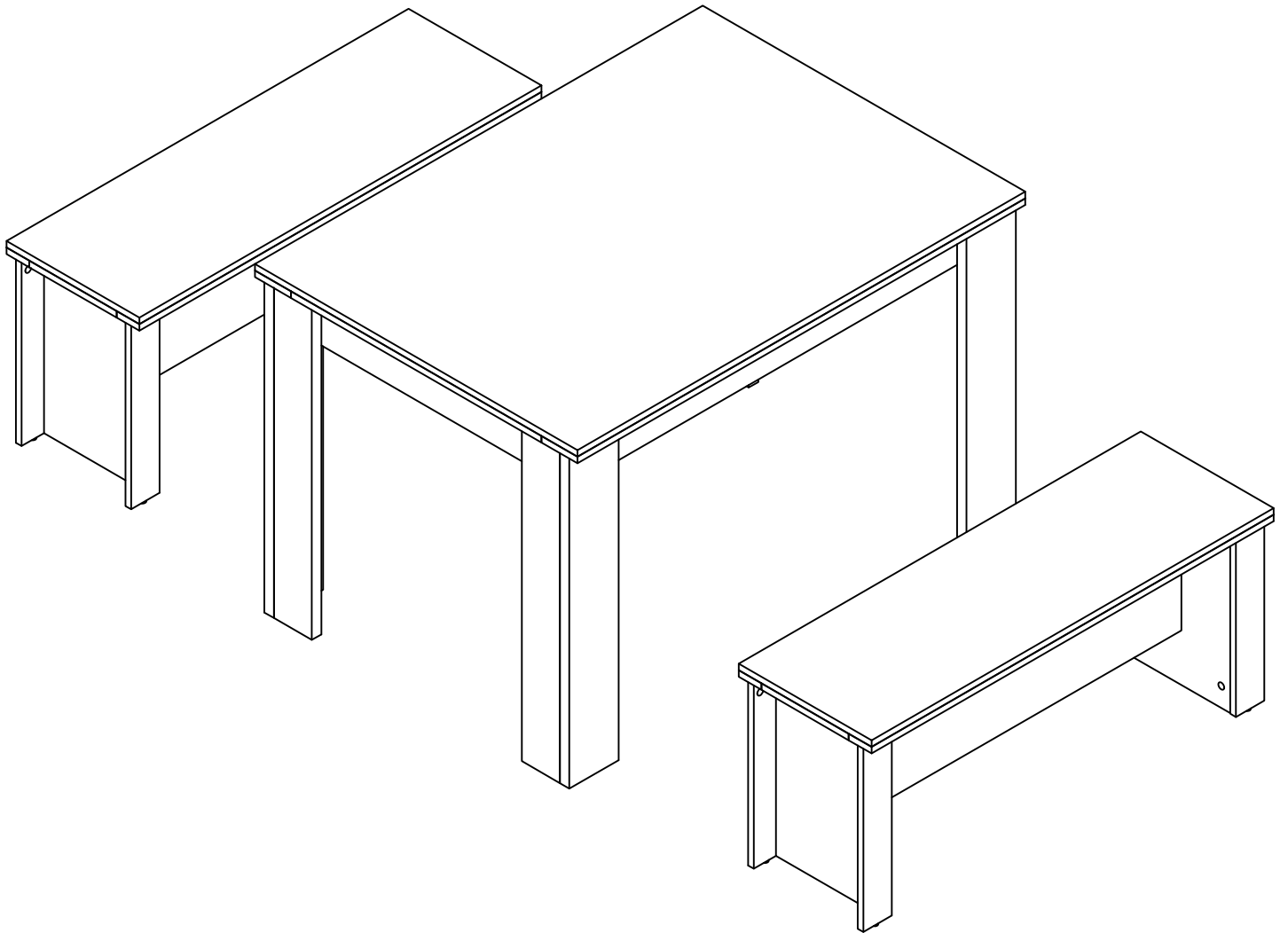
**8** Fix the bench side panels (12) to the bench center panel (13) by using a screwdriver (not provided). **DO NOT** use any power tools as this may damage the frame and will invalidate any claim.



**9** Fix the bench side panels (12) and bench center panel (13) to the bench top panel (9) by using a screwdriver (not provided). **DO NOT** use any power tools as this may damage the frame and will invalidate any claim.







**.Additional Information:**

.For complete product information, images and dimension diagrams please visit the website [www.birlea.com](http://www.birlea.com)

.If you have any issues with your item please contact the retailer directly you purchased it from who will be able to resolve any issues with Birlea.

.Why don't you send us photos of your assembled furniture to [info@birlea.com](mailto:info@birlea.com) to be shared in our #birleahome feature on Instagram.