

Birlea®

Assembly Instructions

Thank you for
purchasing a
Birlea product.

For a chance to win a Love 2 Shop voucher simply post a picture of your new product on your preferred social channels tagging Birlea Furniture and using the hashtag **#ShareYourStyle** and **#Birlea**. One winner will be selected at random each month.

To view our full terms and conditions please visit www.birlea.com

Are you happy with your purchase?

Yes: That's great, we would love to hear more from you. Please leave us a review on our social media channels or Trustpilot. Your feedback will be greatly appreciated.

No: If for any reason there is something missing, indifferent or incorrect with your order, please contact the retailer you purchased the item from. We will work with the retailer to resolve your issue as quickly as possible.



ASSEMBLY INSTRUCTIONS **CROXLEY 2 DOOR 1 DRAWER RATTAN WARDROBE**

IMPORTANT : READ THESE INSTRUCTIONS CAREFULLY BEFORE ATTEMPTING TO ASSEMBLE OR USE YOUR CROXLEY 2 DOOR 1 DRAWER RATTAN WARDROBE.

PLEASE KEEP THESE INSTRUCTIONS FOR FUTURE REFERENCE.

Keep small children and pets away during assembly as there are small parts.

DO NOT USE ANY POWER TOOLS AS THEY MAY DAMAGE THE FURNITURE AND WILL INVALIDATE ANY CLAIM

ASSEMBLY:

Assembly should be carried out with this item laying flat, not standing upright.

Assemble on a soft, clean surface to prevent damages.

To erase the numbers printed on the pieces, use the rubber inside the accessories pack.

HEALTH & SAFETY:

DO NOT use this product if any parts are missing, damaged or worn.

DO NOT use this product unless all fixings are secured.

Always use on a level, even surface.

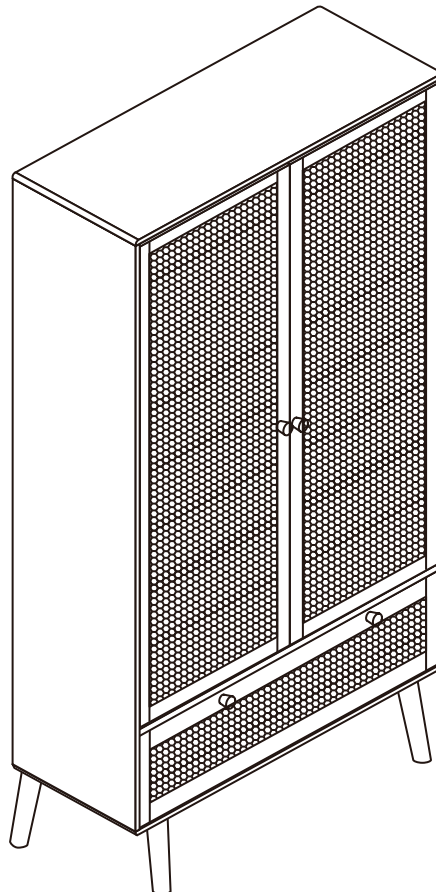
CARE & MAINTENANCE:

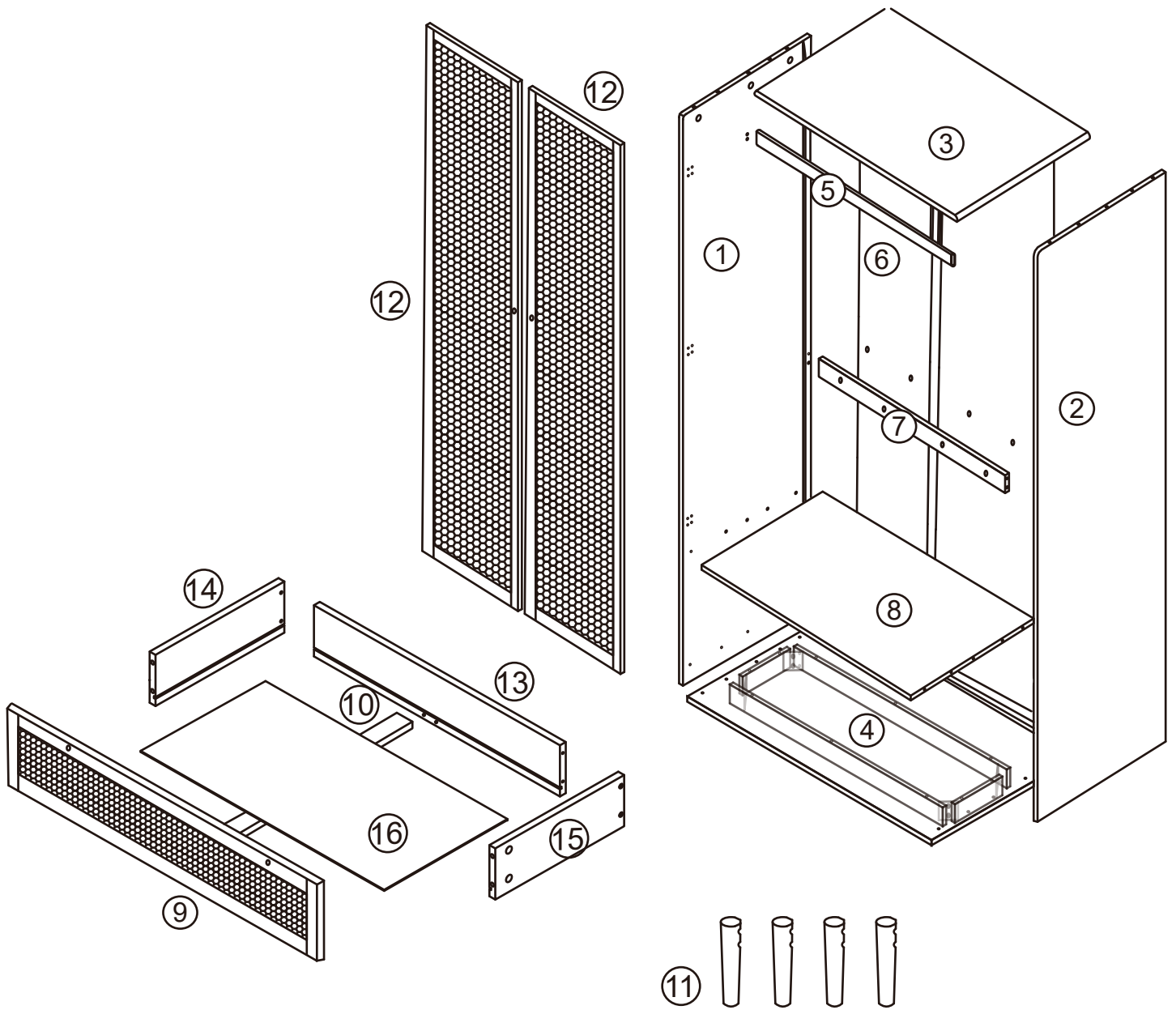
Periodically check all screws & fixings to ensure they are secure.

DO NOT push this product as this will cause damage.

Always lift this product with two people to repositions.

Keep any sharp objects away from this product.





Parts List

Part	Description	Box	Qty	Part	Description	Box	Qty
1	Side Panel(Left)	1	1	7	Back Rail	2	1
2	Side Panel(Right)	1	1	8	Middle Divider	2	1
3	Top Panel	2	1	9	Drawer Front	2	1
4	Bottom Panel	2	1	10	Drawer Support Rail	2	1
5	Hanging Rail	2	1	11	Wooden Leg	2	4
6	Back Panel	1	1	12	Door Panel	1	2
				13	Drawer Back	2	1
				14	Drawer Side(Left)	2	1
				15	Drawer Side(Right)	2	1
				16	Drawer Bottom	2	1

Hardware List



Part	Description	Qty
A	Cam Bolt	21
B	Cam Lock	21
C	Wooden Dowel M6x30mm	14
D	Threaded bolt M5x40mm	5
E	Handle+Screw M4x20mm	4
F	Domed head Screw M4x14mm	6
G	Flathead screw M3.5x12mm	46
H	Hanging Rail Bracket	2
I	Hinges	6
J	Foot Pad	4
K	Sticker	4
L	Plastic Wedge+Screw M3x16mm	10
M	Screw	8
N	Washer	2
O	Safety Strap	2
P	Threaded bolt M6x40mm	6
Q	Allen key	1
R	Door Stopper	4
T	Screw M3x14mm	4
CL	Drawer runner	1
CR	Drawer runner	1
DL	Drawer runner	1
DR	Drawer runner	1

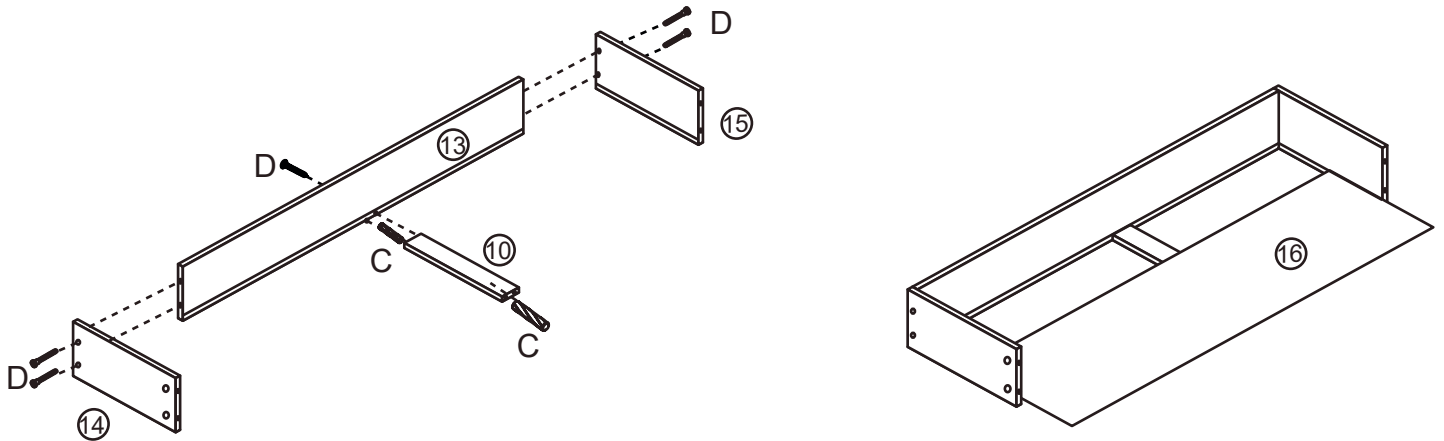
** You will need a small mallet and a screwdriver and a tape measure to assemble the item;

** There may be some extra screws and wooden dowels included;





** For security, the item should be secured to the wall using the safety straps provided.

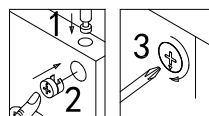
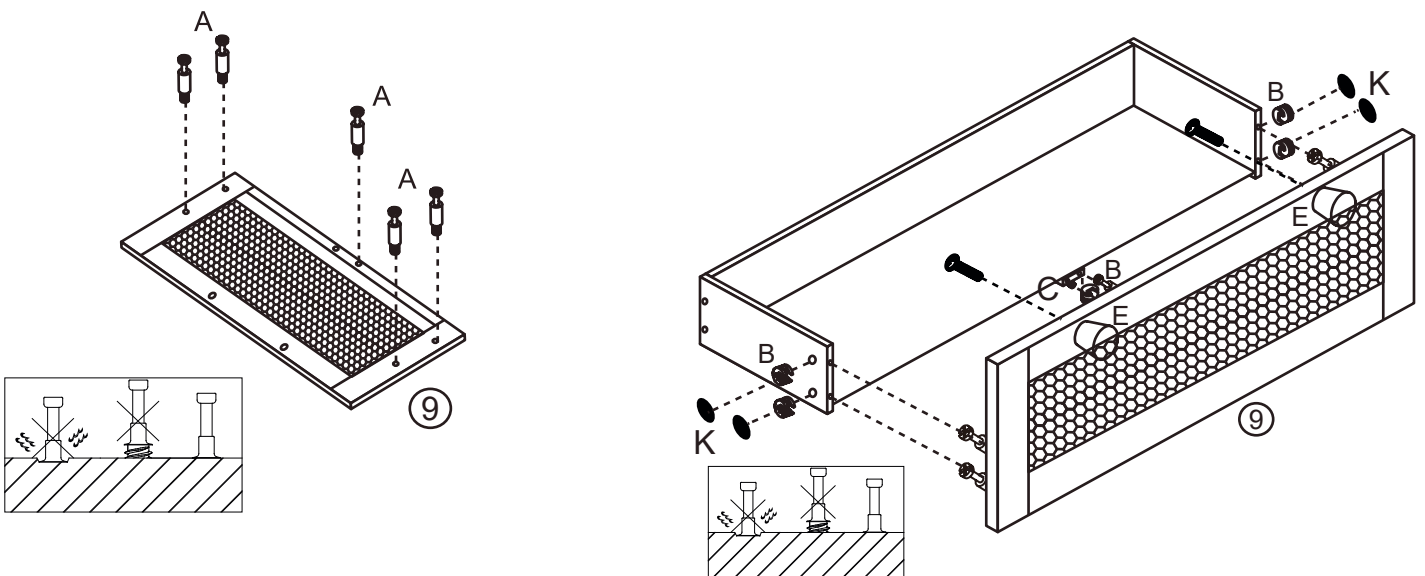
Step 1: Attach the drawer side panels (14) and (15) to the back panel (13) using threaded bolts (D)
 Push a wooden dowel (C) into both ends of the drawer support rail (10) then attach to the back panel (13) with a threaded bolt (D) Slide the drawer base (16) into the grooves in the side and back panels

	Dx5
	Cx2

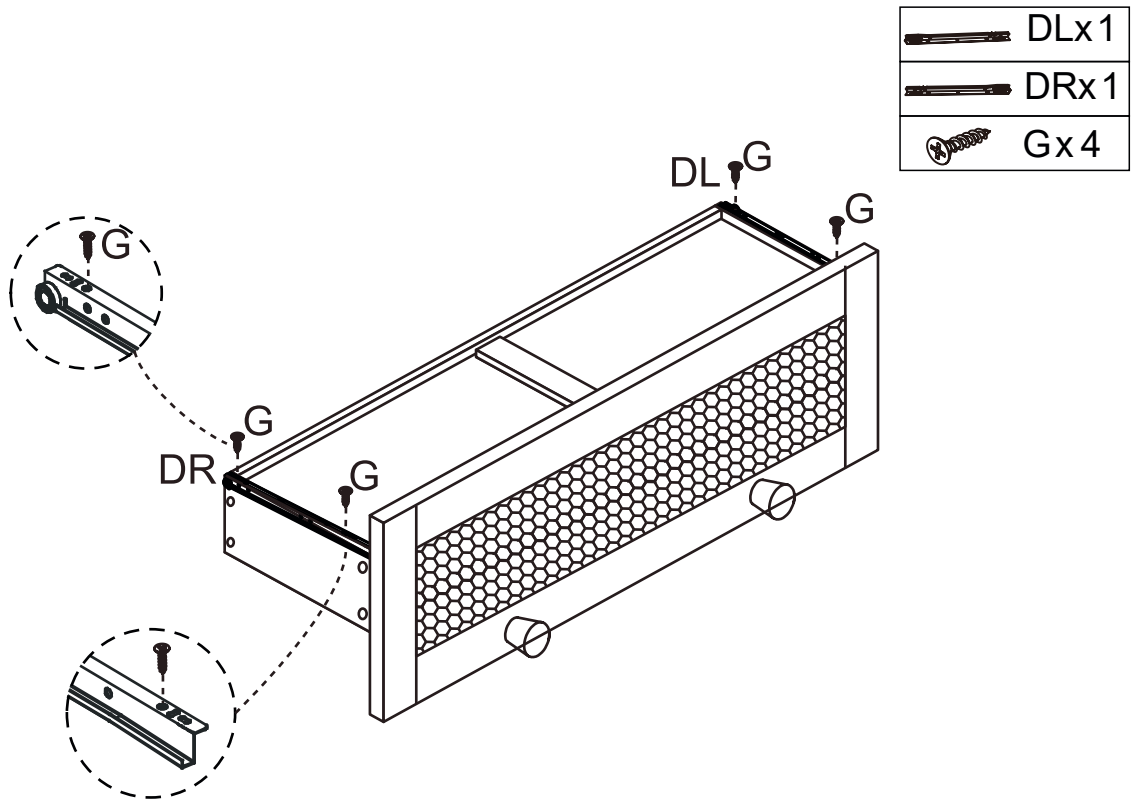


Step 2: Screw the cambolts (A) into the drawer fronts (9), then slide the drawer front (9) onto the drawer box. Insert the cam locks (B) into the drawer side panels and drawer support rail (10) and rotate to secure. Cover the side panel cams with the stickers (K). Attach handles (E) using the screws provided.

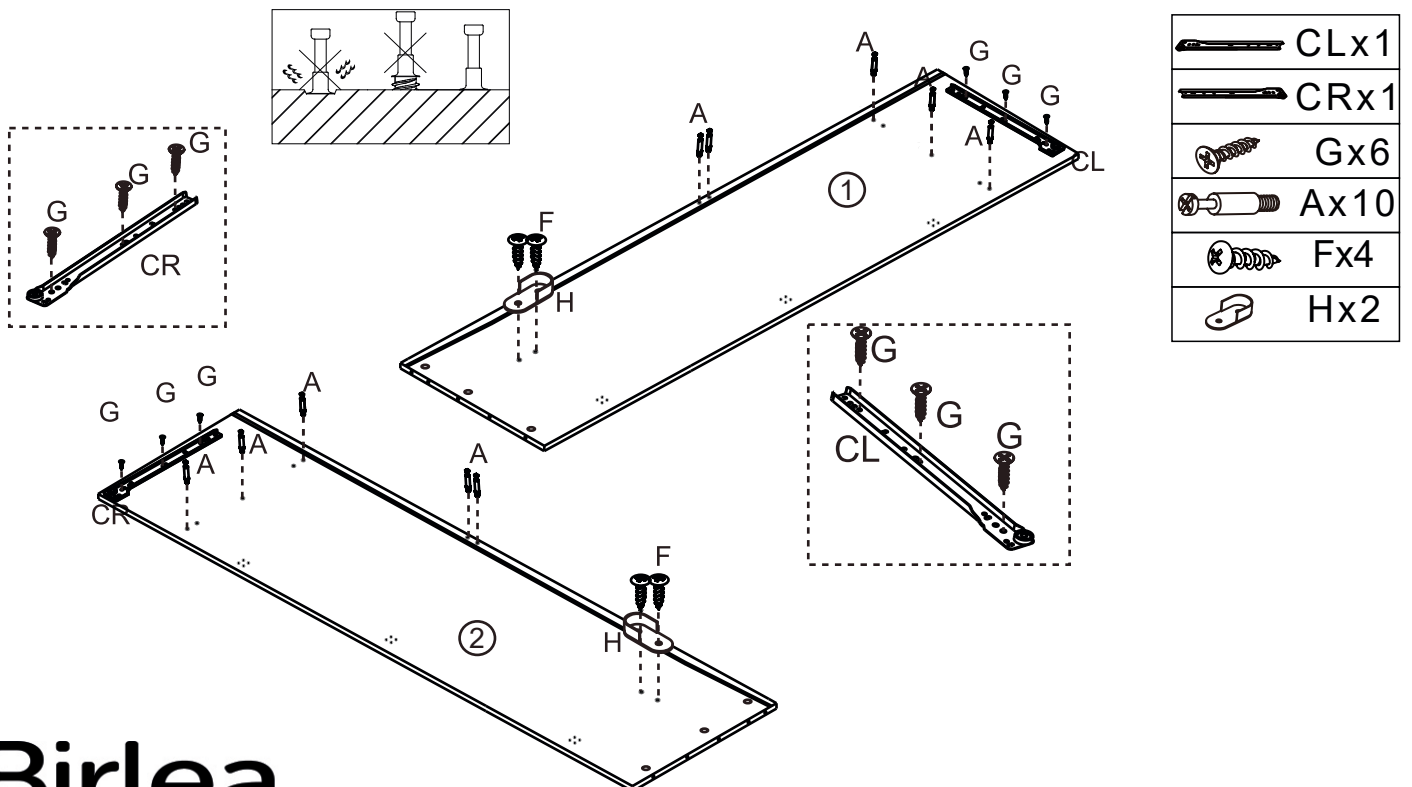
	Ax5
	Bx5
	Kx4
	Ex2



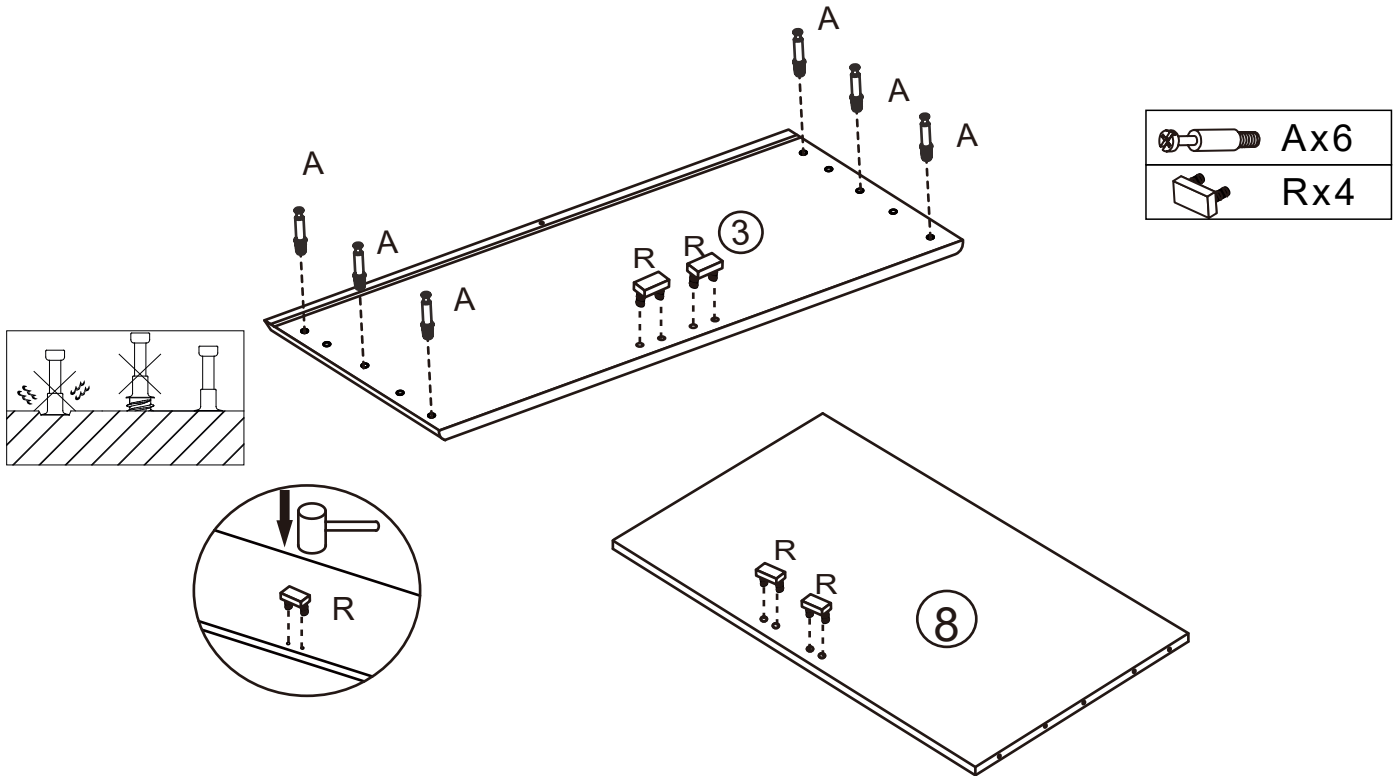
Step 3: Attach runners (DL) and (DR) to the drawer bases using screws (G)



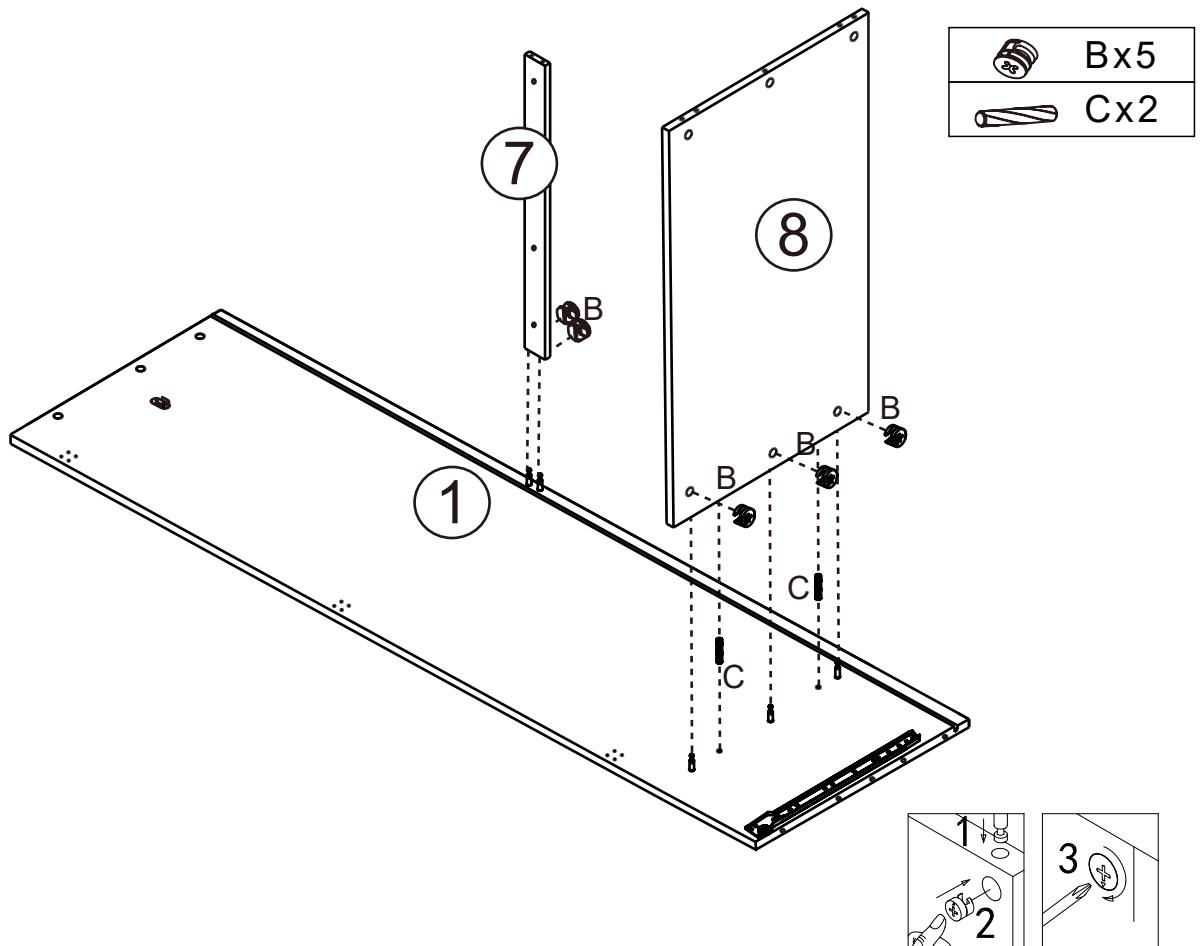
Step 4: Attach the drawer runners (CL) and (CR) onto the side panels (1) and (2) using screws (G).
Screw the cam bolts (A) onto both side panels and attach the hanging rail brackets (H) with screws (F)
DO NOT use any power tools as this may damage the frame and will invalidate any claim.



Step 5: Attach hardware A on top panel(3);Then,attach the door stopper(R) on top panel(3) and middle divider(8).
DO NOT use any power tools as this may damage the frame and will invalidate any claim.

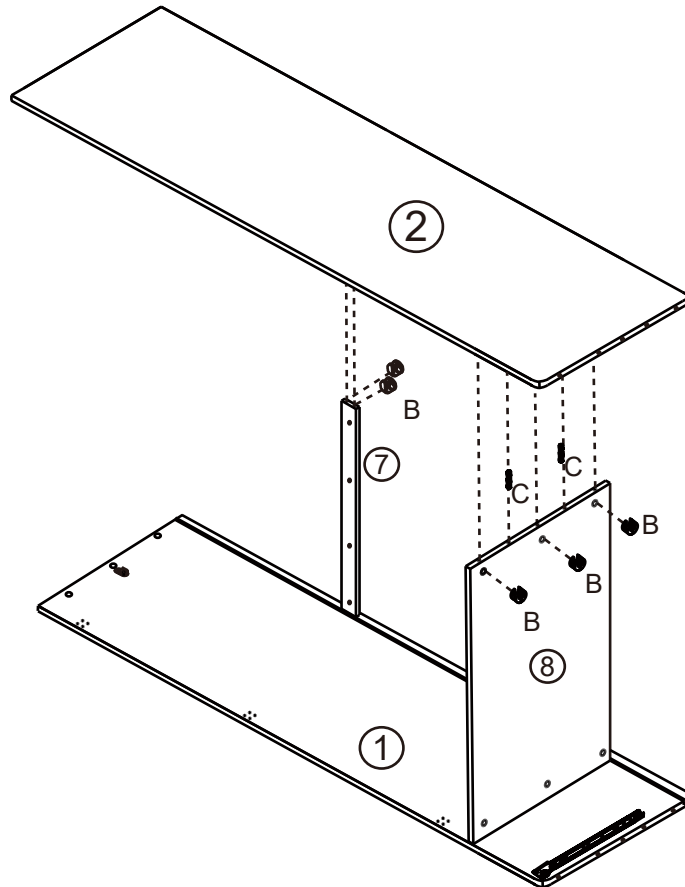




Step 6: Assemble the back rail(7),middle divider(8) with side panel(1) by hardware (B),(C);
DO NOT use any power tools as this may damage the frame and will invalidate any claim.

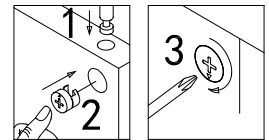


Step 7: Assemble the right side panel(2) by hardware (B),(C).

DO NOT use any power tools as this may damage the frame and will invalidate any claim.

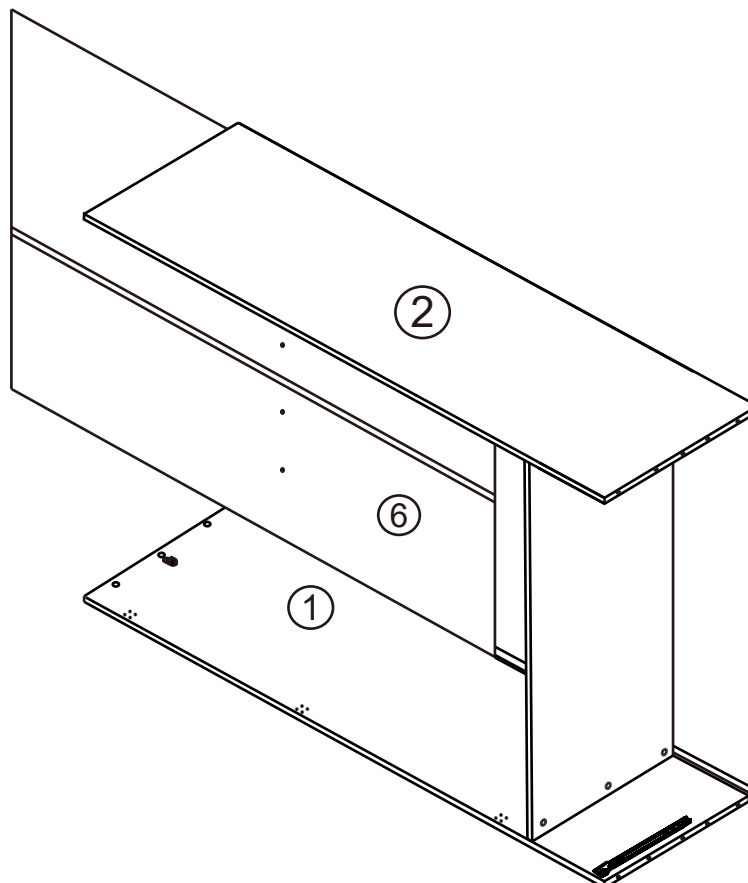


	Bx5
	Cx2



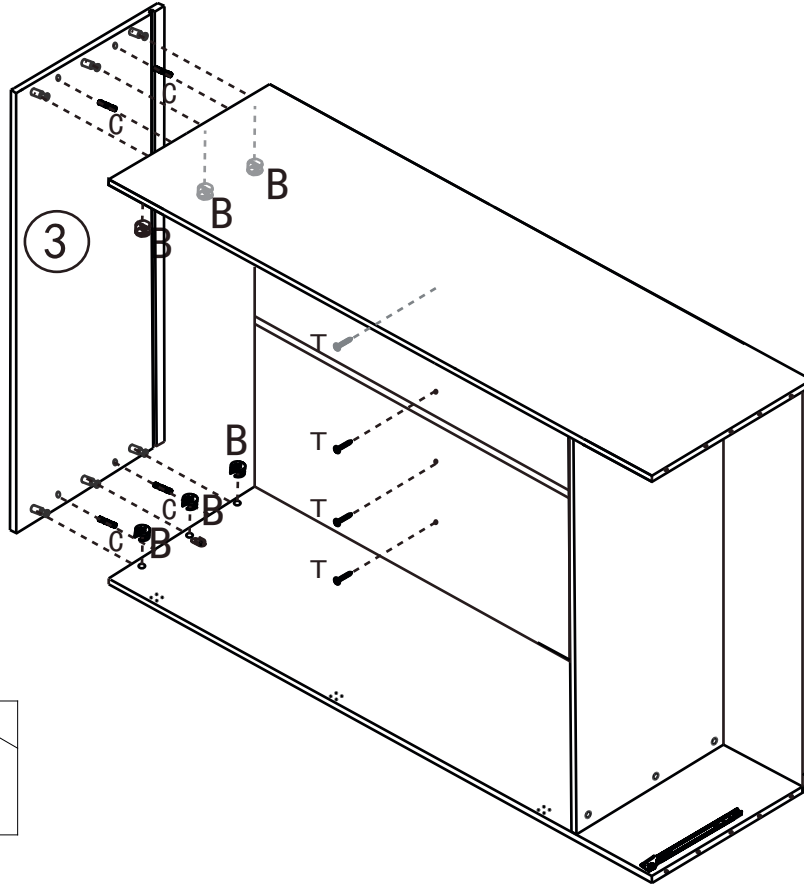
Step 8: Attach the back panel(6).




DO NOT use any power tools as this may damage the frame and will invalidate any claim.

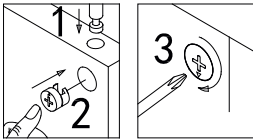


Step 9: Attach the top panel(3) with frame by hardware(B),(C);Then,connect the back panel&back rail by hardware(T).

DO NOT use any power tools as this may damage the frame and will invalidate any claim.

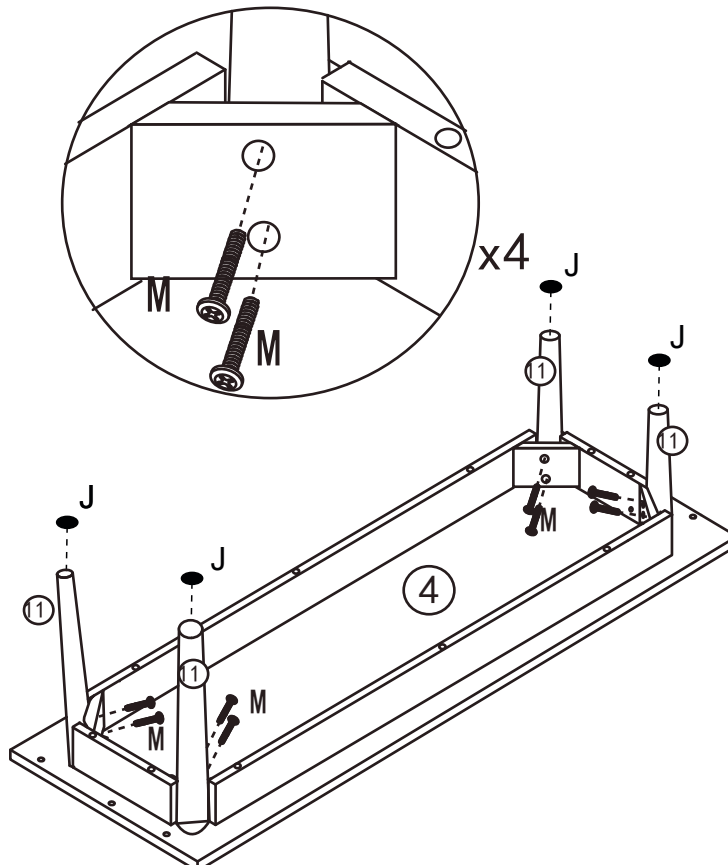




	Bx6
	Cx4
	Tx4



Step 10 Assemble the leg(11) with base frame(4) by hardware(M);Then attach the pads(J).

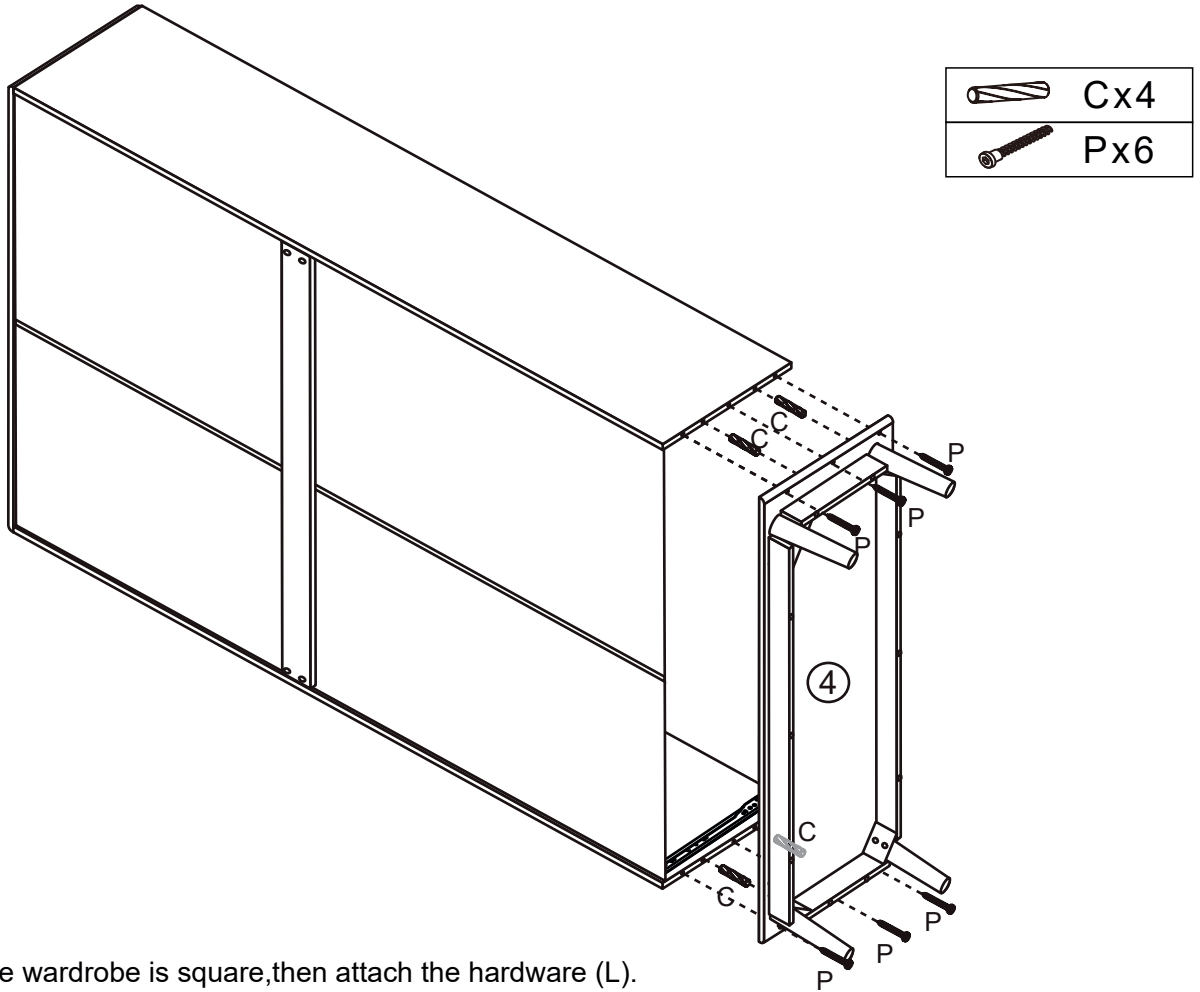
DO NOT use any power tools as this may damage the frame and will invalidate any claim.



	Mx8
	Jx4

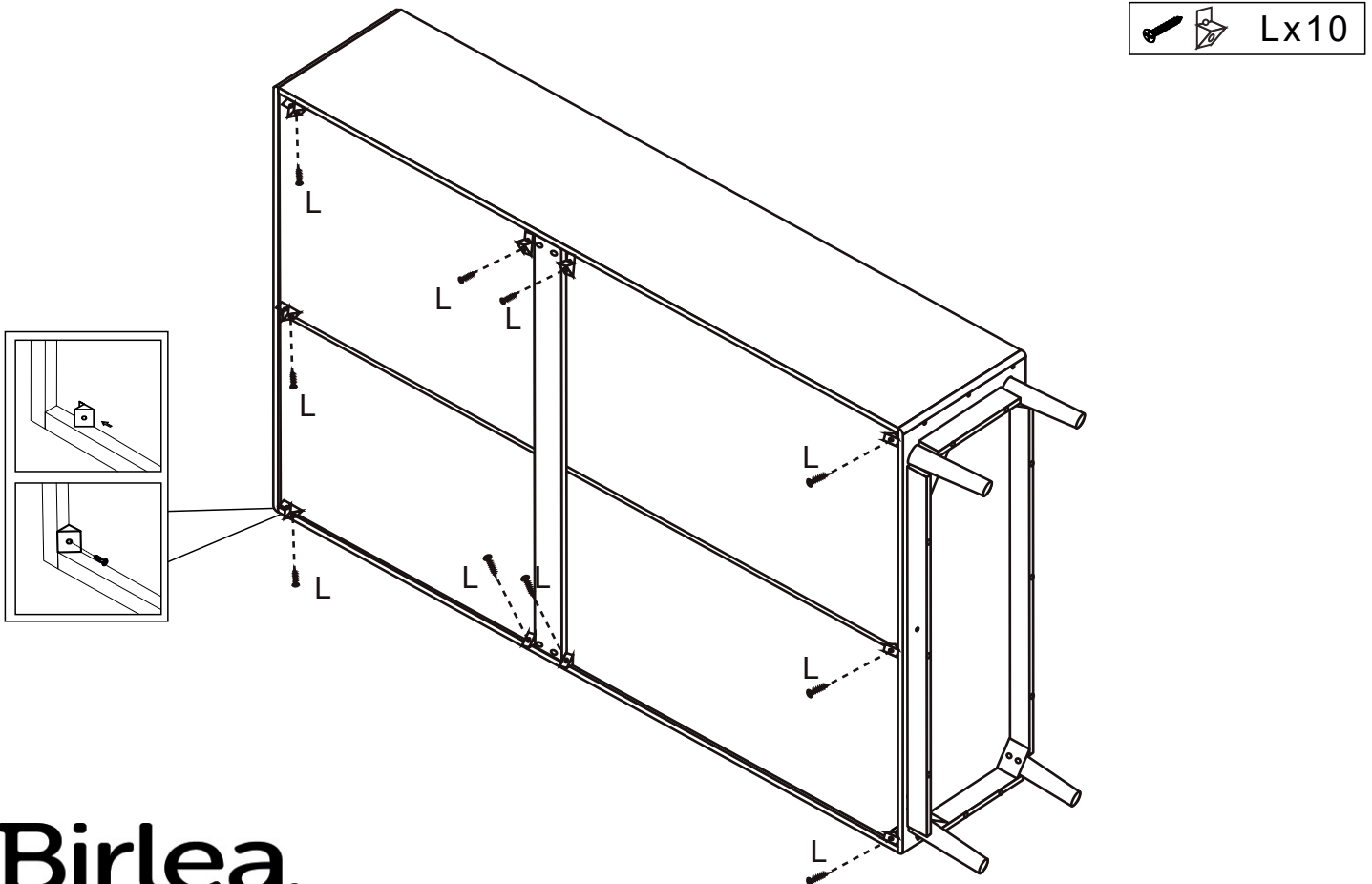
Step 11: Assemble the base with frame by hardware (C),(P).

DO NOT use any power tools as this may damage the frame and will invalidate any claim.

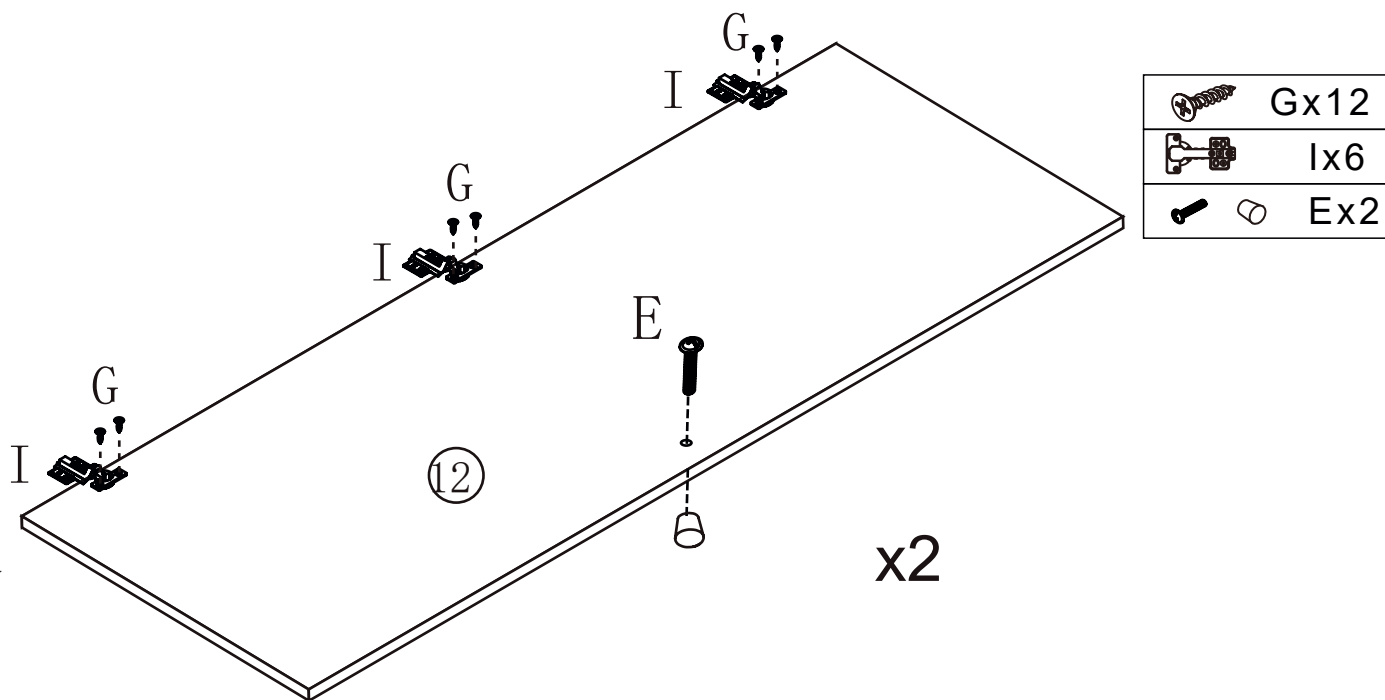


Step 12: Ensure the wardrobe is square, then attach the hardware (L).

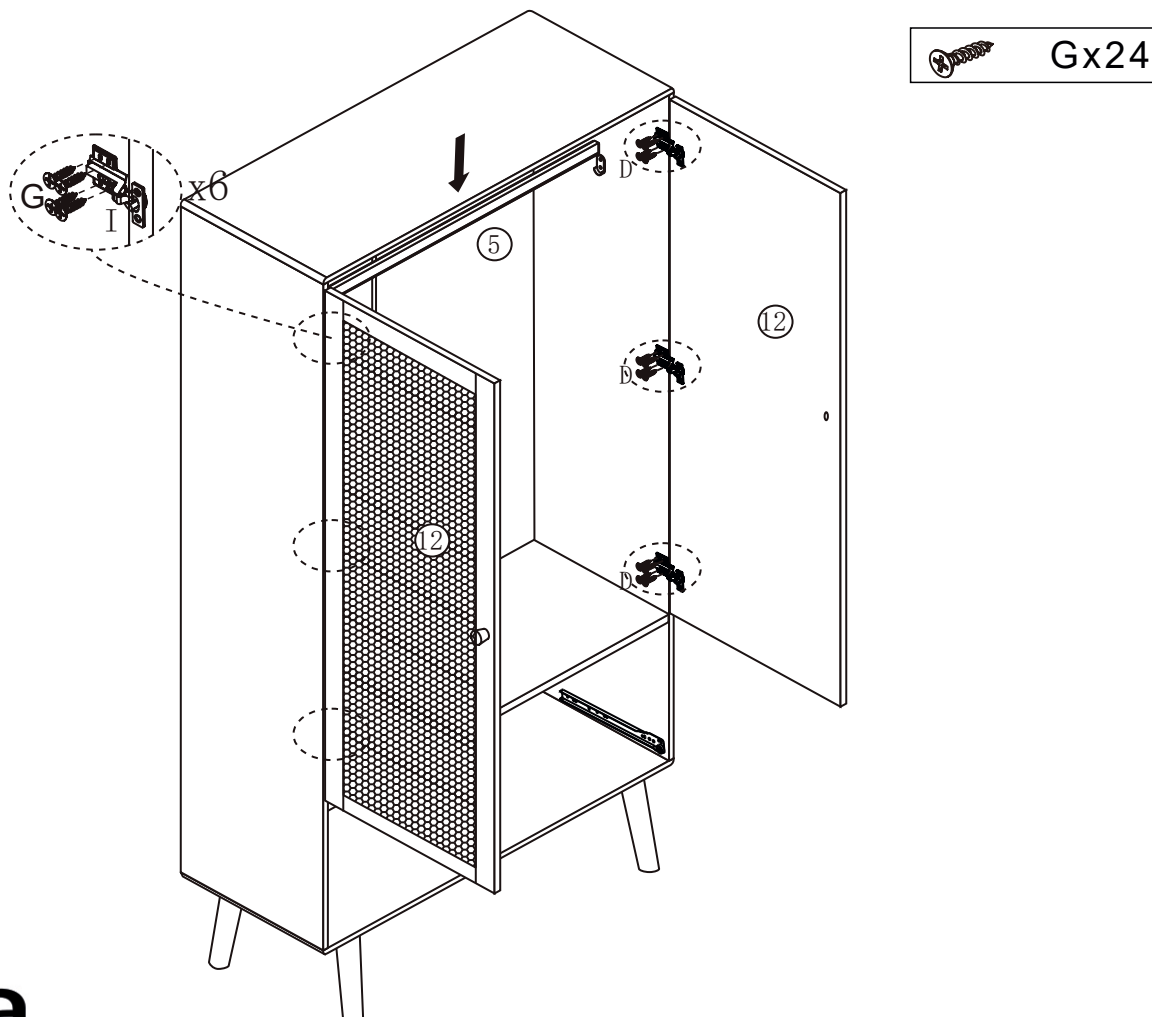
DO NOT use any power tools as this may damage the frame and will invalidate any claim.



Step 13: Attach the hinges (I) to the doors (12) using screws (G) . Attach the handles (E)
DO NOT use any power tools as this may damage the frame and will invalidate any claim.



Step 14 : Assemble the door(12) with side panels(1),(2) by hardware(G);Attach the hanging rail(5);
DO NOT use any power tools as this may damage the frame and will invalidate any claim.



Adjusting hinges

Hinge adjustment

Step 1:

To move the door panel up or down, loosen screws shown and move door panel to suit.

Step 2:

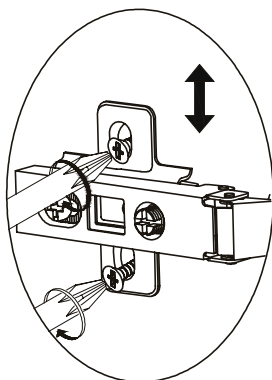
To move the door panel in or out, loosen screws shown and move door panel to suit.

Retighten screws

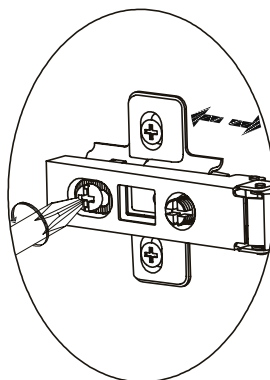
Step 3:

To move the door panel left or right, adjust screws shown.

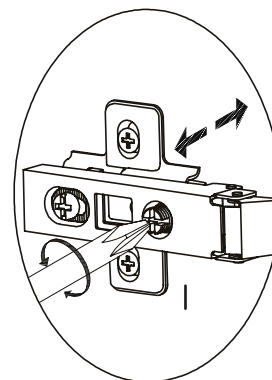
1.



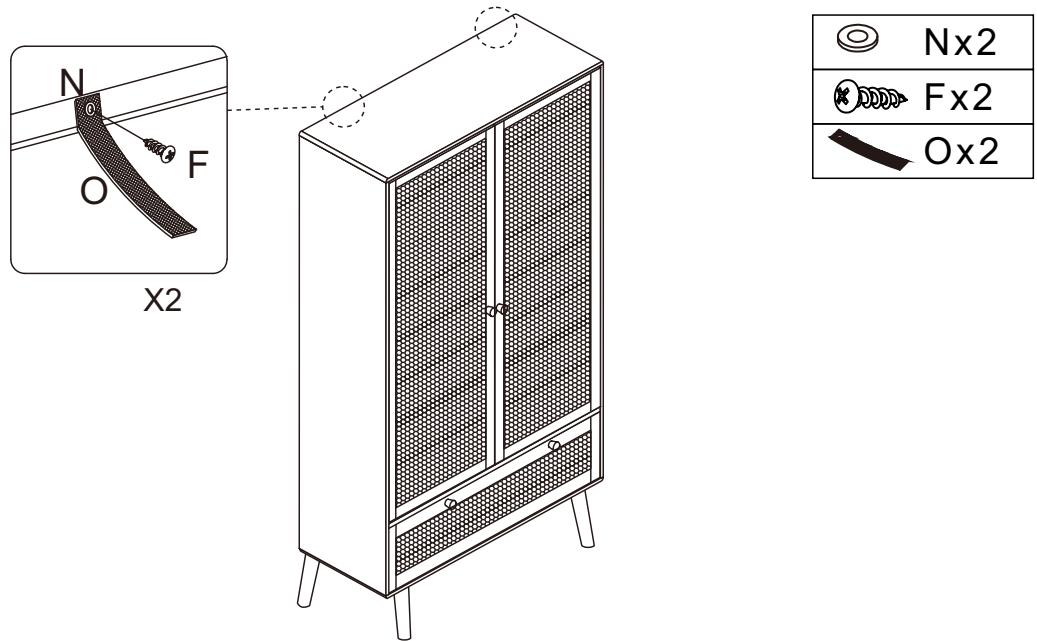
2.



3.



Step 15: Secure the safety straps (O) to the back of the wardrobe with the washer (N) and screw (F)



PLEASE NOTE that wall fixings are not supplied as different wall materials require different fixing devices. You must use fixings devices suitable for the type of wall you intend to mount product to. Ensure the head of any screw used has a diameter greater than the mounting hole and the fixing is safe and secure before use.



WARNING!

In order to prevent overturning this product must be used with the wall attachment device provided. Serious or fatal crushing injuries can occur from furniture tipping over. To help prevent topple over:-

- Use the wall attachment devices provided
- Never allow children to climb or hang on drawers or doors
- Do not overload the drawer beyond maximum recommended loading
- Place heaviest items in the lower drawers or shelves
- Unless specifically designed to accommodate, do not set TV's or other heavy objects on top of this product
- Never open more than one drawer at a time
- Do not hang things from the doors

An attachment device is provided with your product, however you will need to source suitable fixings for your wall type. If in doubt consult a qualified trades person.

Always ensure that the wall to be drilled into is free from hidden electrical wire, water and gas pipe.

Birlea Furniture advise that the wall straps provided should be used to further enhance the safety of this product.

Additional Information:

- For complete product information, images and dimension diagrams please visit the website www.birlea.com
- If you have any issues with your item please contact the retailer directly you purchased it from who will be able to resolve any issues with Birlea.
- Why don't you send us photos of your assembled furniture to info@birlea.com to be shared in our #birleahome feature on instagram.