

# Birlea

Suppliers of inspiration

## Assembly Instructions

---

*Thank you* for  
purchasing a  
Birlea product.

For a chance to win a *Love 2 Shop* voucher simply post a picture of your new product on your preferred social channels tagging Birlea Furniture and using the hashtag **#ShareYourStyle** and **#Birlea**. One winner will be selected at random each month.

To view our full terms and conditions please visit our website. [www.birlea.com](http://www.birlea.com)

---

### **Are you happy with your purchase?**

**Yes:** That's great, we would love to hear more from you. Please leave us a review on our social media channels or Trustpilot. Your feedback will be greatly appreciated.

**No:** If for any reason there is something missing, indifferent or incorrect with your order, please contact the retailer you purchased the item from. We will work with the retailer to resolve your issue as quickly as possible.



[www.birlea.com](http://www.birlea.com)

**ASSEMBLY INSTRUCTIONS**  
**HAMPSTEAD 2 DRAWER BEDSIDE OAK**

**IMPORTANT : READ THESE INSTRUCTIONS CAREFULLY BEFORE ATTEMPTING TO ASSEMBLE OR USE YOUR HAMPSTEAD 2 DRAWER BEDSIDE OAK.**

**PLEASE KEEP THESE INSTRUCTIONS FOR FUTURE REFERENCE.**

**ASSEMBLY:**

Assembly should be carried out with this item laying flat, not standing upright.

Assemble on a soft, clean surface to prevent damages.

To erase the numbers printed on the pieces, use the rubber inside the accessories pack.

**HEALTH & SAFETY:**

**DO NOT** use this product if any parts are missing, damaged or worn.

**DO NOT** use this product unless all fixings are secured.

Always use on a level, even surface.

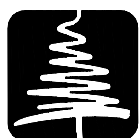
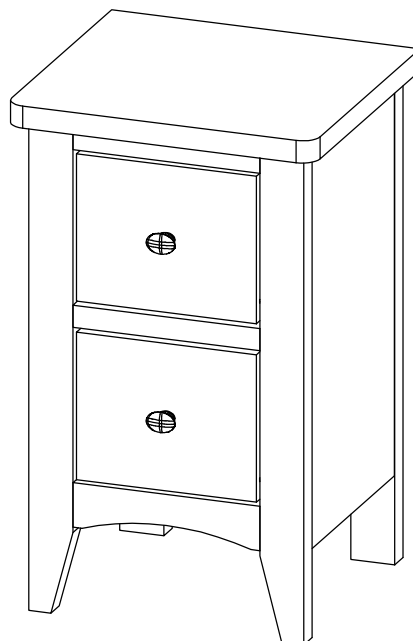
**CARE & MAINTENANCE:**

Periodically check all screws & fixings to ensure they are secure.

**DO NOT** push this product as this will cause damage.

Always lift this product with two people to repositions.

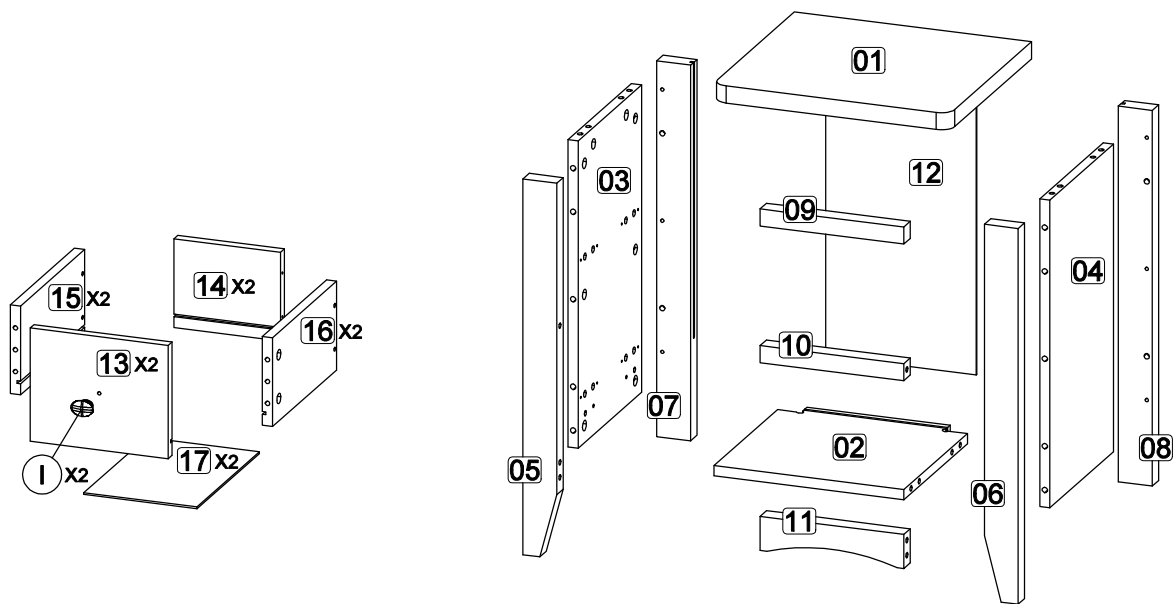
Keep any sharp objects away from this product.



**Birlea**






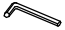



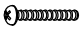

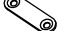


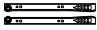
Suppliers of inspiration

[www.birlea.com](http://www.birlea.com)

**Parts List**

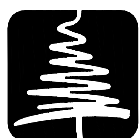
Part	Description	Box	Qty
01	Top panel	1	1
02	Bottom panel	1	1
03	Side panel ( Left )	1	1
04	Side panel ( Right )	1	1
05	Front leg ( Left )	1	1
06	Front leg ( Right )	1	1
07	Back leg ( Left )	1	1
08	Back leg ( Right )	1	1
09	Front bar ( 1 )	1	1
10	Front bar ( 2 )	1	1
11	Leg panel	1	1
12	Back panel	1	1
13	Drawer front	1	2
14	Drawer back	1	2
15	Drawer side ( Left )	1	2
16	Drawer side ( Right )	1	2
17	Drawer bottom	1	2

**Hardware List ( BOX 1 )**

Part	Description		Qty
A1	Cam lock		28
A2	Minifix screw		28
A3	Plastic cap		28
B	M8 x 30mm Wood Dowel		26
C	5/8 PVC Nail Leg		4
D	Allen key M4		1
E	M3.5 x 16mm C.B Screw		32
F	M4 x 20mm C.B Screw		16
G	M4 x 38mm C.B Screw		8
H	Handle Screw M4 x 22mm		2
I	Handle Knob 5166028 SS		2
J	S125 - Double Hole Fitting		6
K	PVC Block		8
L1	10" Drawer slide (Left / Right)		4
L2	10" Drawer slide (Left / Right)		4

**\*\* You will need a small mallet and a screwdriver for assembly.**

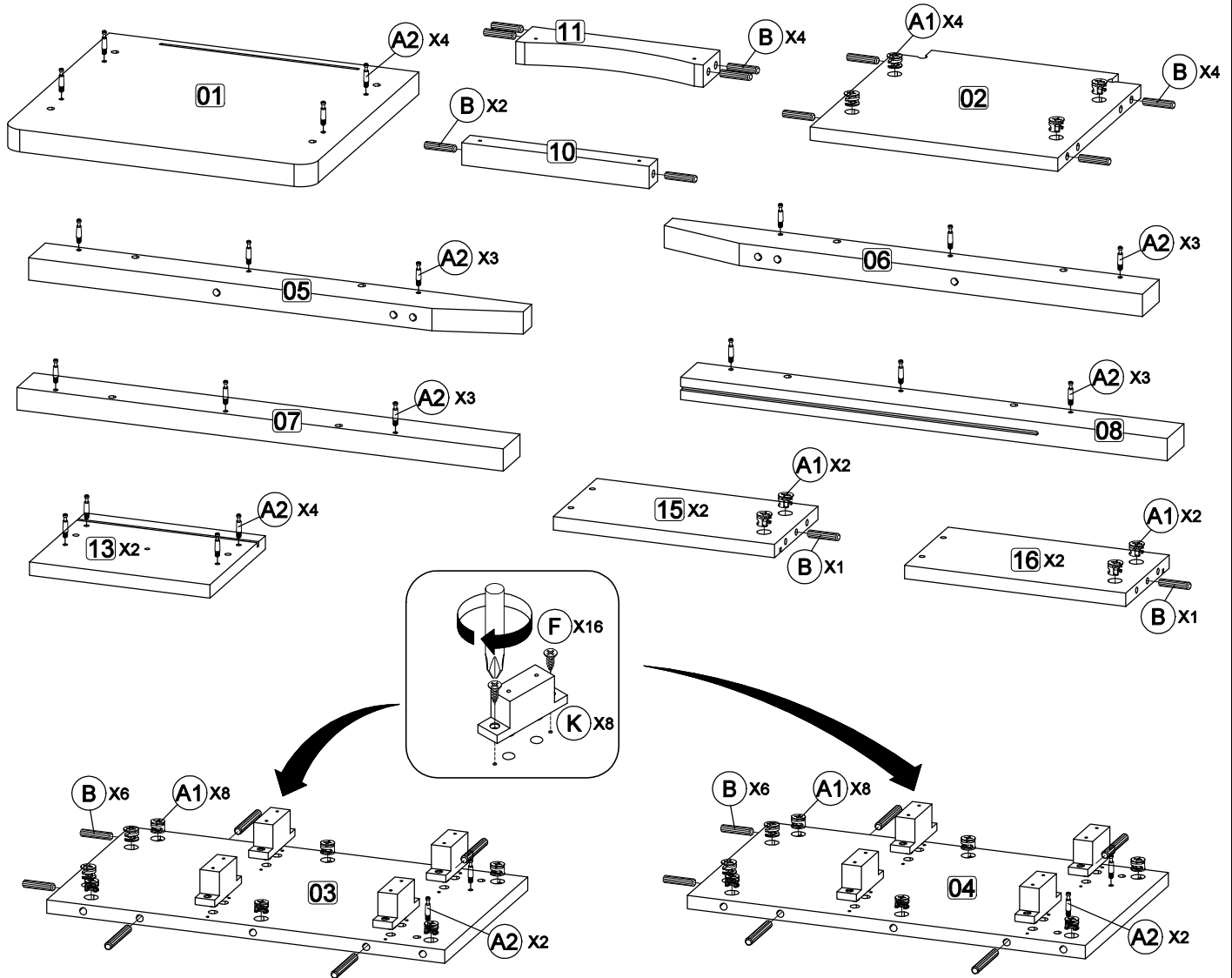
**\*\* Some screws and wooden dowel may remain.**



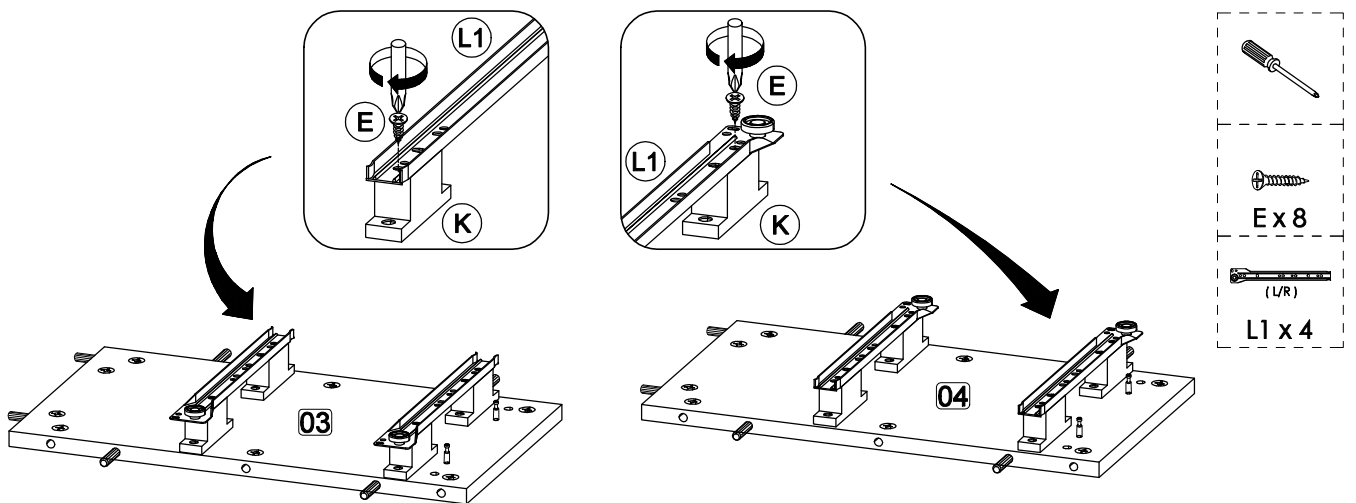
# Birlea

Suppliers of inspiration

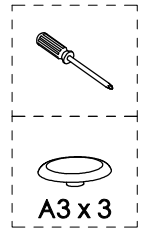
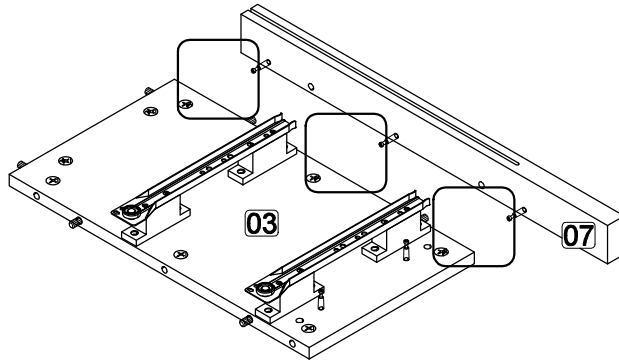
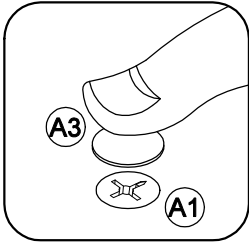
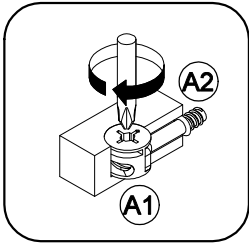
**Step 1: Prepare these parts for assembly using hardware parts A1, A2, B, F and K.**  
**DO NOT use any power tools as this may damage the frame and will invalidate any claim.**



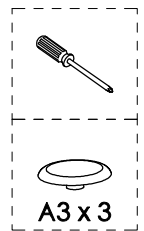
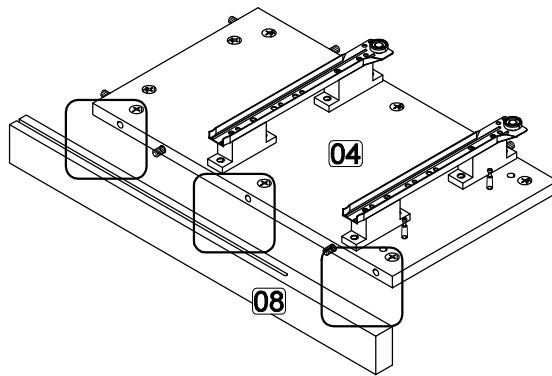
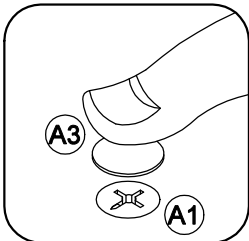
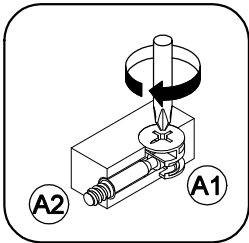
**Step 2: Fix hardware L1 onto hardware K by using hardware E.**  
**DO NOT use any power tools as this may damage the frame and will invalidate any claim.**



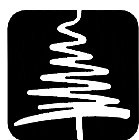
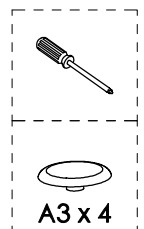
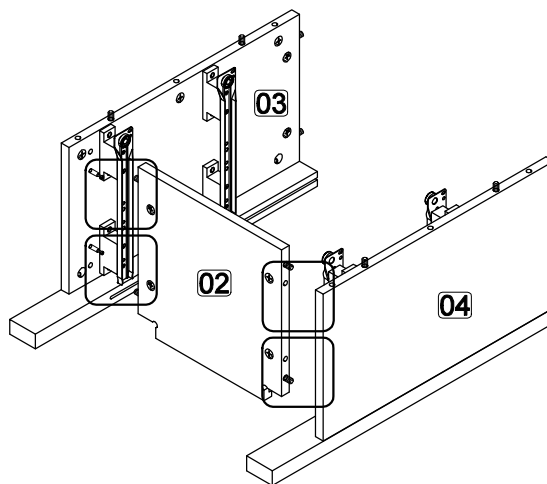
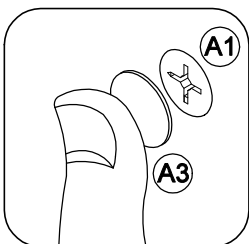
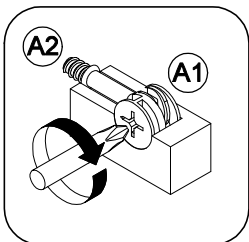
**Step 3: Attach back leg (7) to side panel (3) using hardware A1 and A2 with a screwdriver (not provided).  
DO NOT use any power tools as this may damage the frame and will invalidate any claim.**



**Step 4: Attach back leg (8) to side panel (4) using hardware A1 and A2 with a screwdriver (not provided).  
DO NOT use any power tools as this may damage the frame and will invalidate any claim.**



**Step 5: Attach side panel (3) and (4) to bottom panel (2) using hardware A1 and A2 with a screwdriver (not provided).  
DO NOT use any power tools as this may damage the frame and will invalidate any claim.**

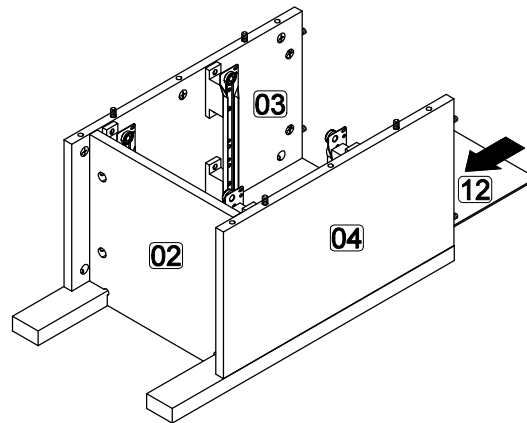


**Birlea**

Suppliers of inspiration

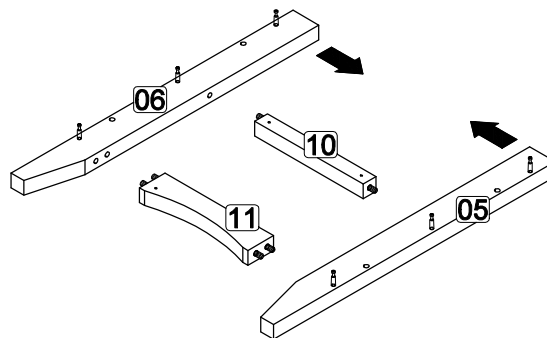
**Step 6:** Insert back panel (12) along the slot.

**DO NOT use any power tools as this may damage the frame and will invalidate any claim.**



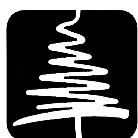
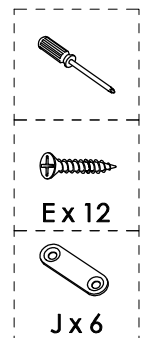
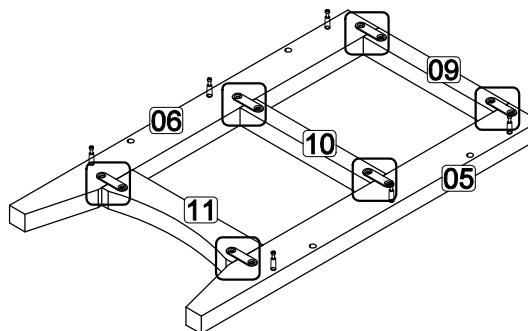
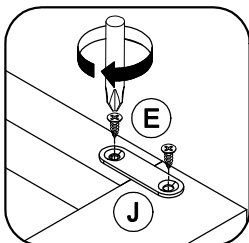
**Step 7:** Attach front leg (5) and (6) to front bar (10) and leg panel (11).

**DO NOT use any power tools as this may damage the frame and will invalidate any claim.**



**Step 8:** Fix hardware J into front leg (5), (6), front bar (9), (10) and leg panel (11) using hardware E with a screwdriver (not provided).

**DO NOT use any power tools as this may damage the frame and will invalidate any claim.**

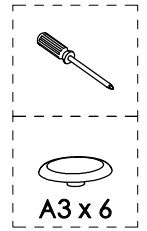
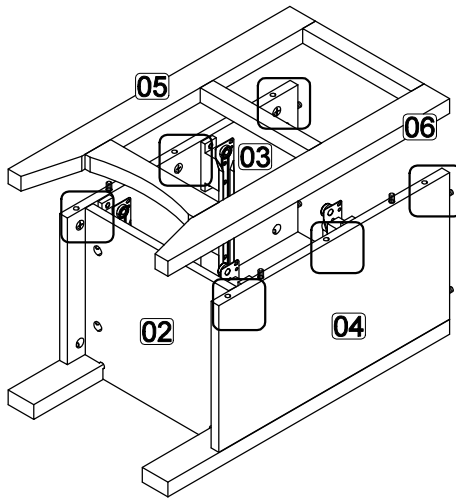
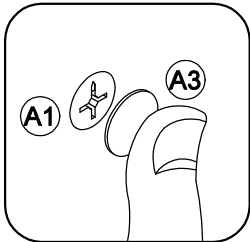
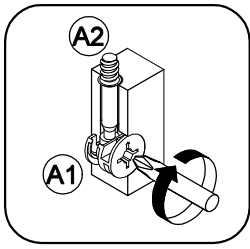


**Birlea**

Suppliers of inspiration

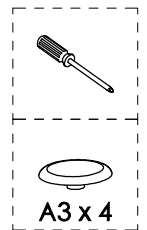
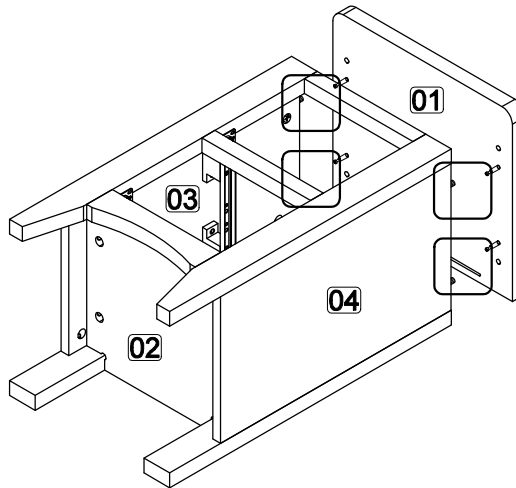
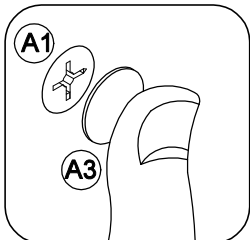
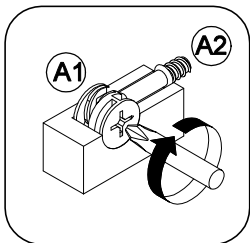
**Step 9: Attach front leg (5) and (6) to side panel (3) and (4) using hardware A1 and A2 with a screwdriver (not provided).**

**DO NOT use any power tools as this may damage the frame and will invalidate any claim.**



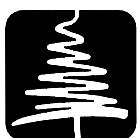
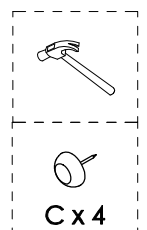
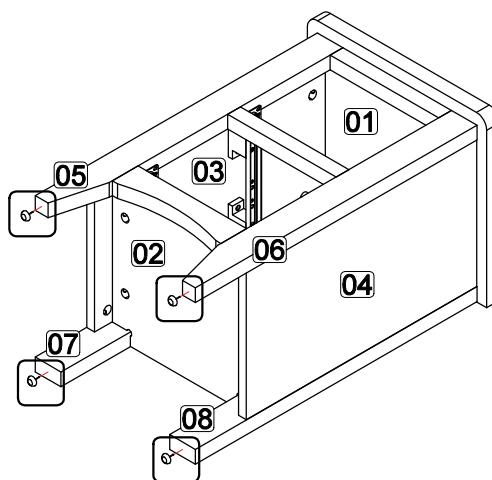
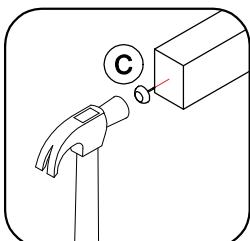
**Step 10: Attach top panel (1) to side panel (3) and (4) using hardware A1 and A2 with a screwdriver (not provided).**

**DO NOT use any power tools as this may damage the frame and will invalidate any claim.**



**Step 11: Hit hardware C into bottom of front leg (5), (6), back leg (7) and (8).**

**DO NOT use any power tools as this may damage the frame and will invalidate any claim.**



**Birlea**

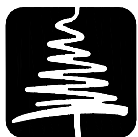
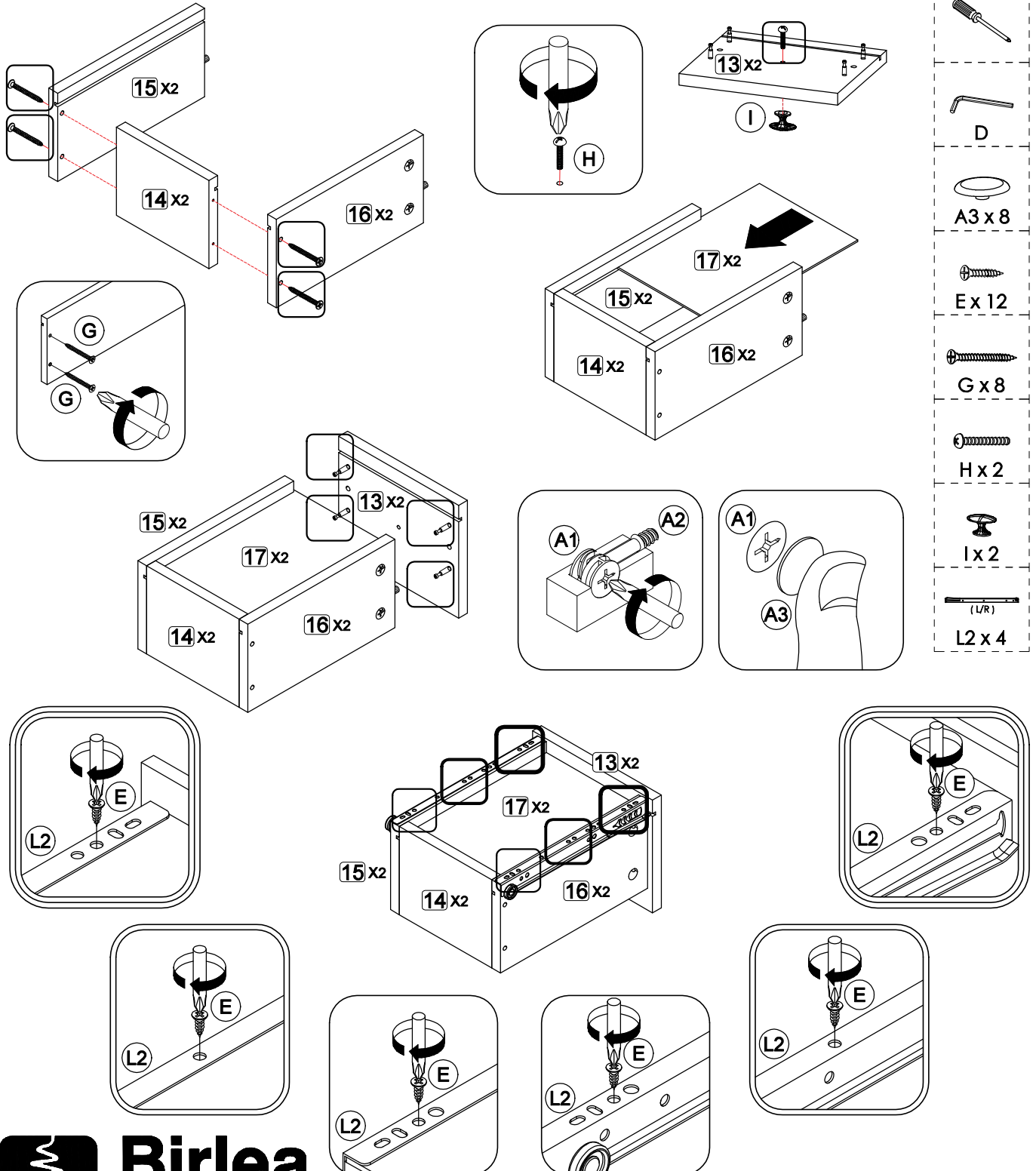
Suppliers of inspiration

**Step 12: Assemble the drawer components using hardware A3, D, E, G, H, I and L2.**

In this step only show one of the drawers.

**DO NOT use any power tools as this may damage the frame and will invalidate any claim.**

1. Fix hardware I onto panel (13) by using hardware H.
2. Attach drawer side (15) and (16) to drawer back (14) using hardware (G).
3. Slide in the drawer bottom (17).
4. Attach drawer front (13) to drawer side (15) and (16) using hardware A1 and A2 with a screwdriver (not provided).
5. Attach hardware (L2) to drawer sides (15) and (16) using hardware (E).



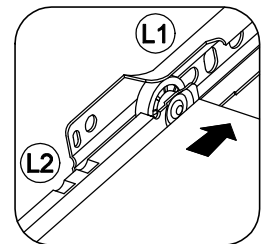
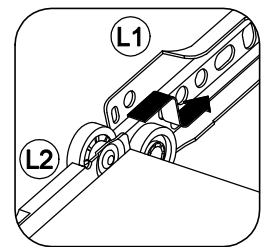
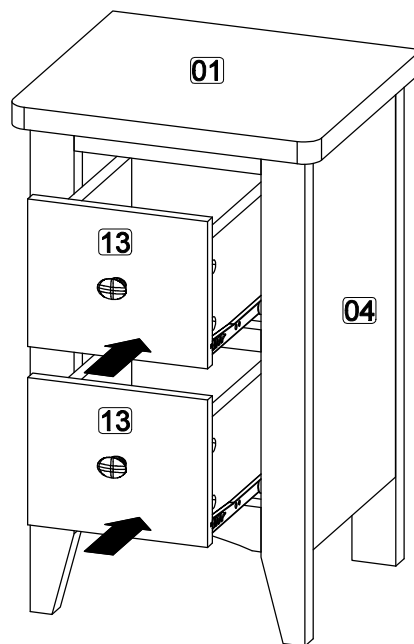
**Birlea**

Suppliers of inspiration



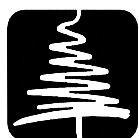
**Step 13:** Assemble the drawers in place along the drawer slides.

**DO NOT use any power tools as this may damage the frame and will invalidate any claim.**



### Additional Information:

- For complete product information, images and dimension diagrams please visit the website [www.birlea.com](http://www.birlea.com)
- If you have any issues with your item please contact the retailer directly you purchased it from who will be able to resolve any issues with Birlea.
- Why don't you send us photos of your assembled furniture to [info@birlea.com](mailto:info@birlea.com) to be shared in our #birleahome feature on instagram.



# Birlea

Suppliers of inspiration