

Birlea®

Assembly Instructions

Thank you for purchasing a Birlea product

For a chance to win a Love2Shop voucher simply post a picture of your new product on your preferred social channels tagging Birlea Furniture. One winner will be selected at random each month.

*Terms & conditions may apply.

Are you happy with your purchase?

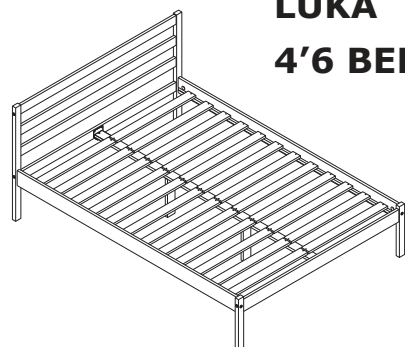
Yes: That's great, we would love to hear more from you. Please leave us a review on our Trustpilot link on the QR code here. Your feedback will be greatly appreciated.



No: If for any reason there is something missing, indifferent or incorrect with your order, please contact the retailer that you purchased your item from.

Please note that this items build time is around 50 min.

**LUKA
4'6 BED FRAME**



www.birlea.com



- 1** Headboard post x 2
(85 x 4.5cm)



- 6** Side rail x 2 (190 x 11.2cm)



- 2** Left footboard post
(38 x 4.5cm)



- 7** Centre rail (190 x 6.5cm)



- 3** Right footboard post
(38 x 4.5cm)



- 8** Top headboard rail (134.8 x 6.5cm)



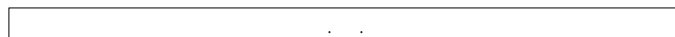
- 4** Slat x 24
(68.2 x 6.5cm)



- 9** Centre headboard rail x 2 (134.8 x 6.5cm)



- 5** Support leg x 2
(28.3 x 6.5cm)



- 10** Bottom headboard rail (134.8 x 6.5cm)







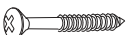
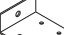



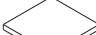




- 11** Footboard panel (134.8 x 9.2cm)

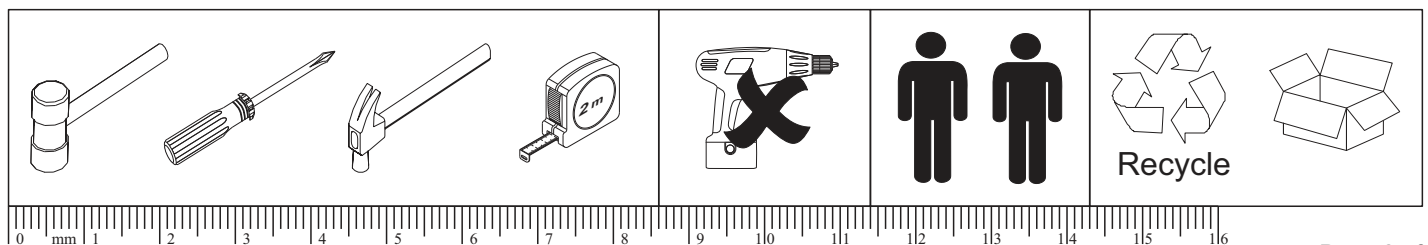


- 12** Hardware Kit x 1

HARDWARE LIST

Part	Item	Qty	Part	Item	Qty
A	30mm dowel 	14	H	80mm Bolt 	6
B	40mm dowel 	8	J	70mm Bolt 	4
C	16mm Screw 	8	K	Half moon nut 	4
D	30mm Screw 	48	L	Metal bracket 	2
E	32mm Bolt 	2	M	Allen key 	1
F	Nut 	2	N	Spacer 	2
G	50mm Bolt 	2	O	Glue 	1

You will need a screwdriver, small mallet and M11 spanner (not provided).

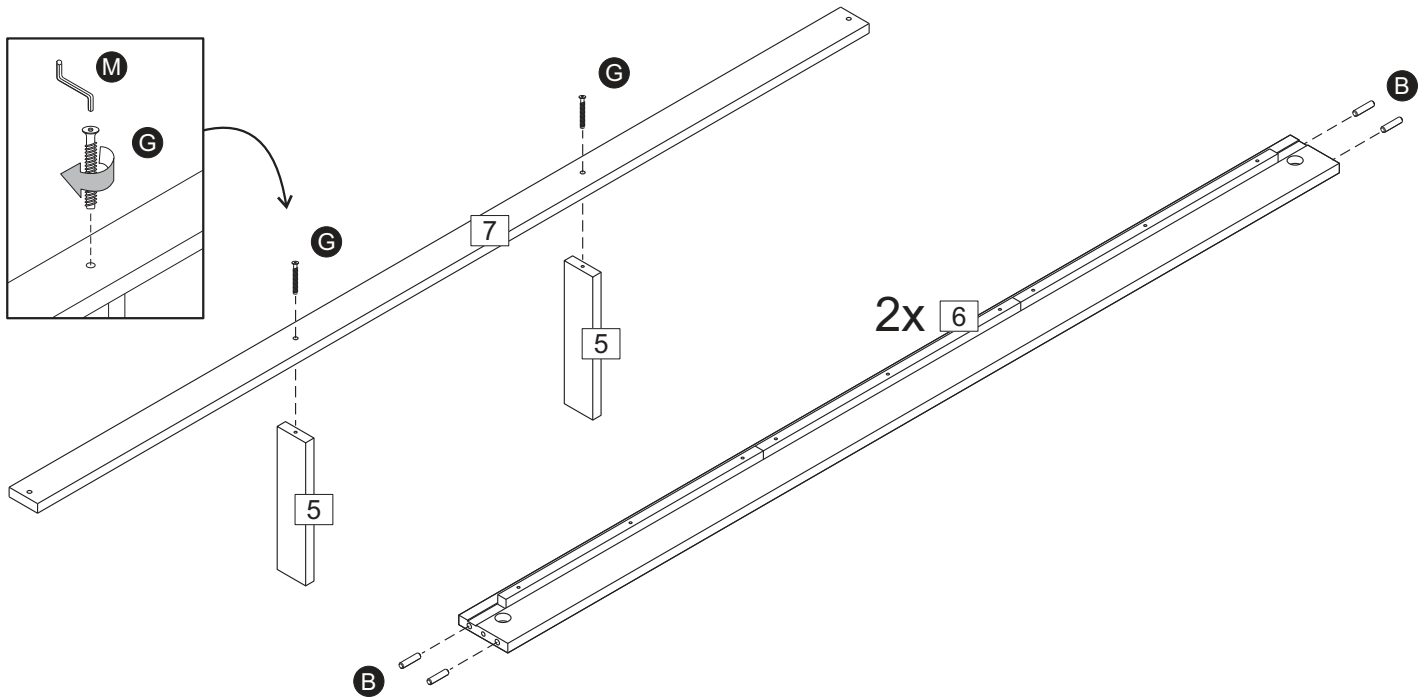


Step 1: Join the support legs (5) to the centre rail (7) using hardware G and M.

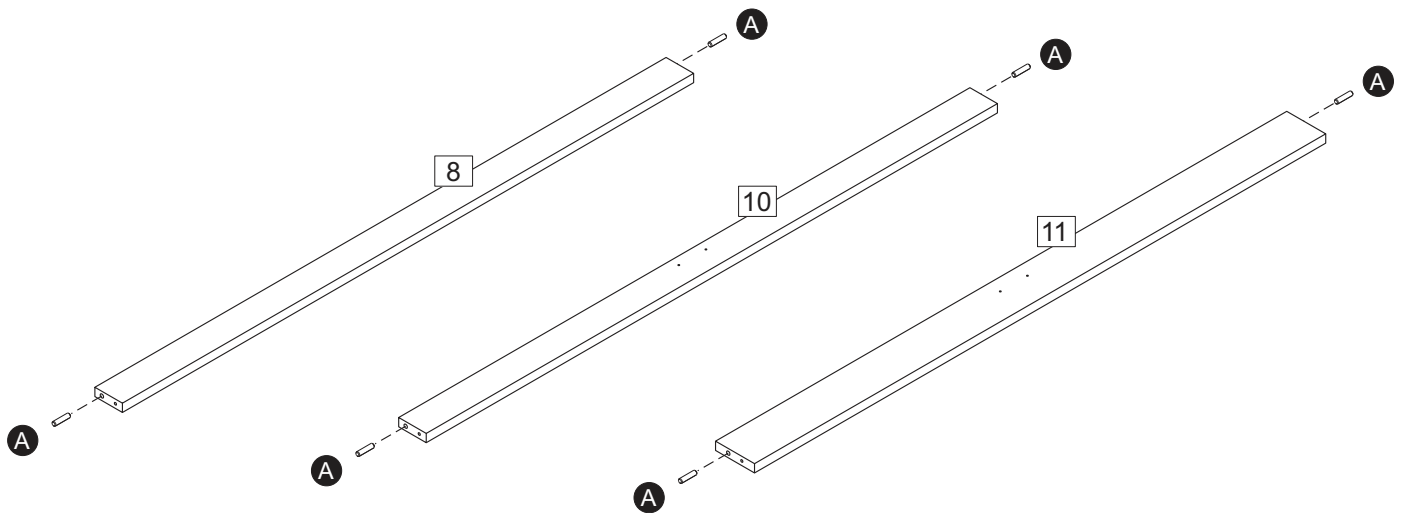
Vendor: S000238

Insert hardware part B to the side rails (6) using a small mallet (not provided).

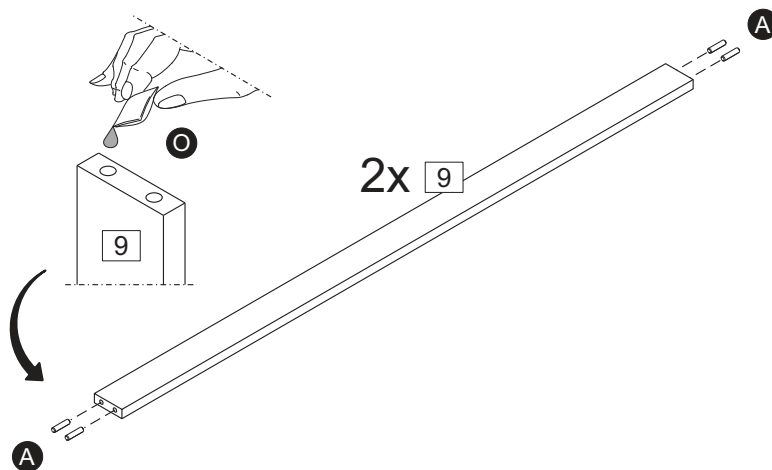
DO NOT use any power tools as this may damage the frame and will invalidate any claim.



Step 2: Insert hardware part A to the top headend rail (8), bottom headend rail (10) and footend panel (11) using a small mallet (not provided).



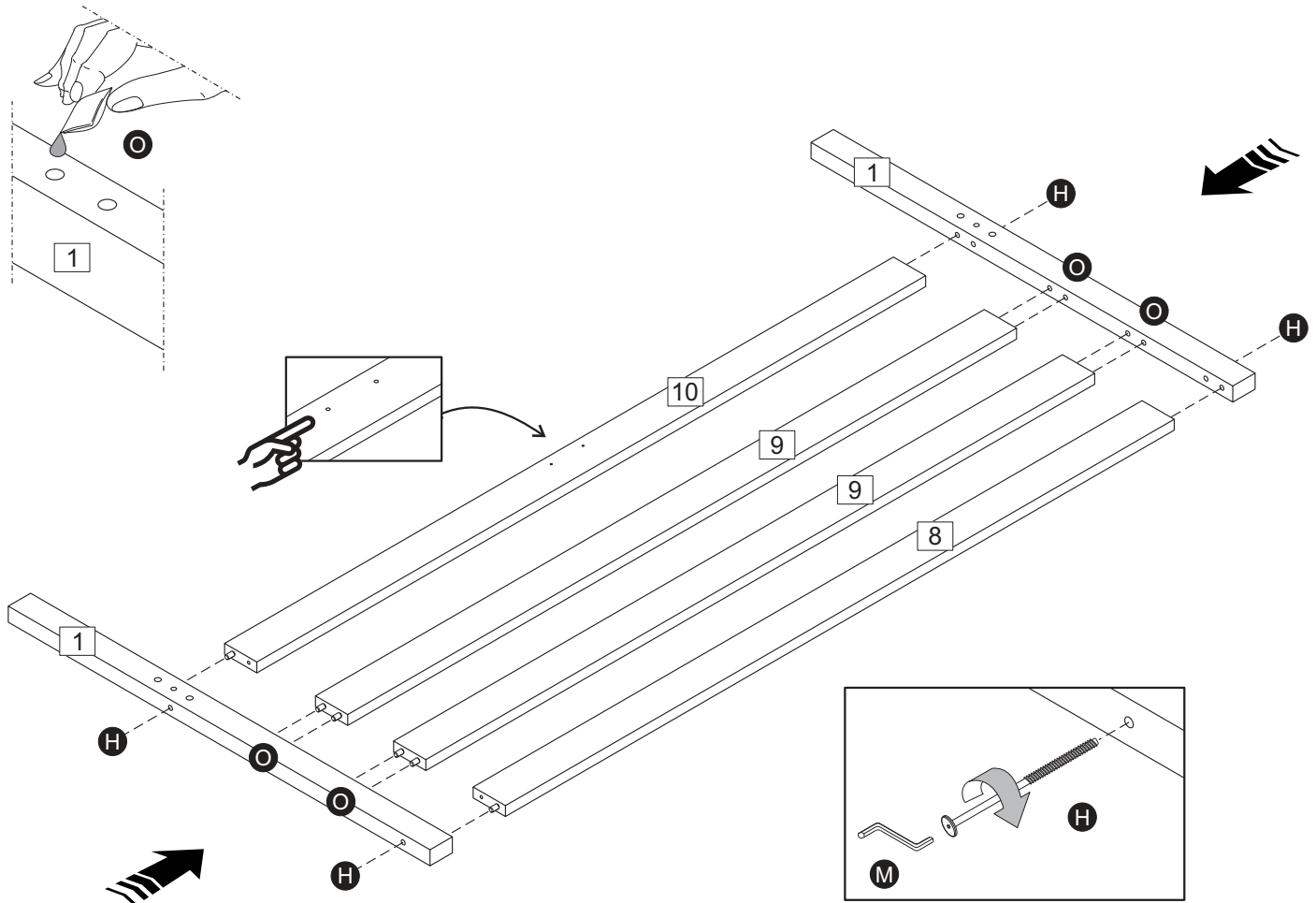
Step 3: Insert hardware part A and O to the centre headend rails (9) using a small mallet (not provided).



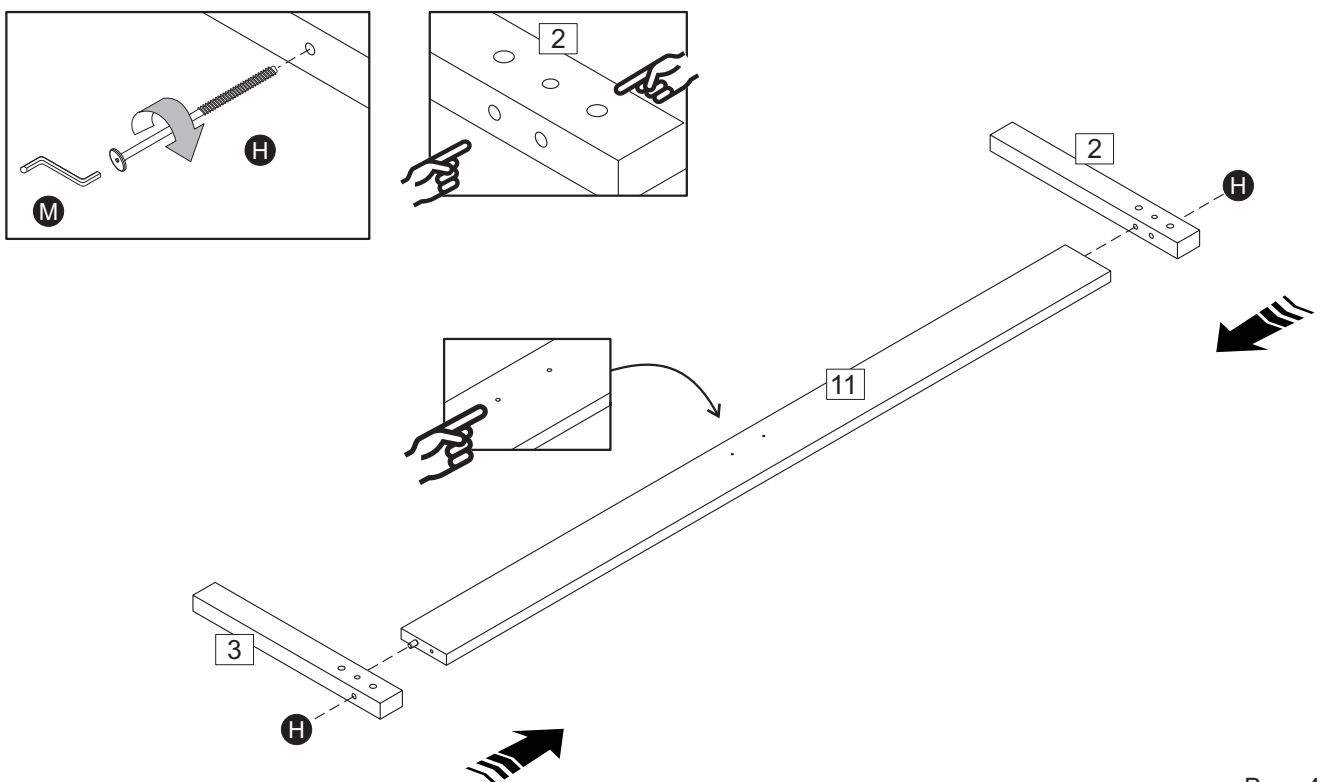
Step 4: Attach the headend post (1) to the centre headend rails (9) using hardware part O. Attach the headend post (1) to the top headend rail (8) and bottom headend rail (10) using hardware parts H and M and.

Vendor: S000238

DO NOT use any power tools as this may damage the frame and will invalidate any claim.



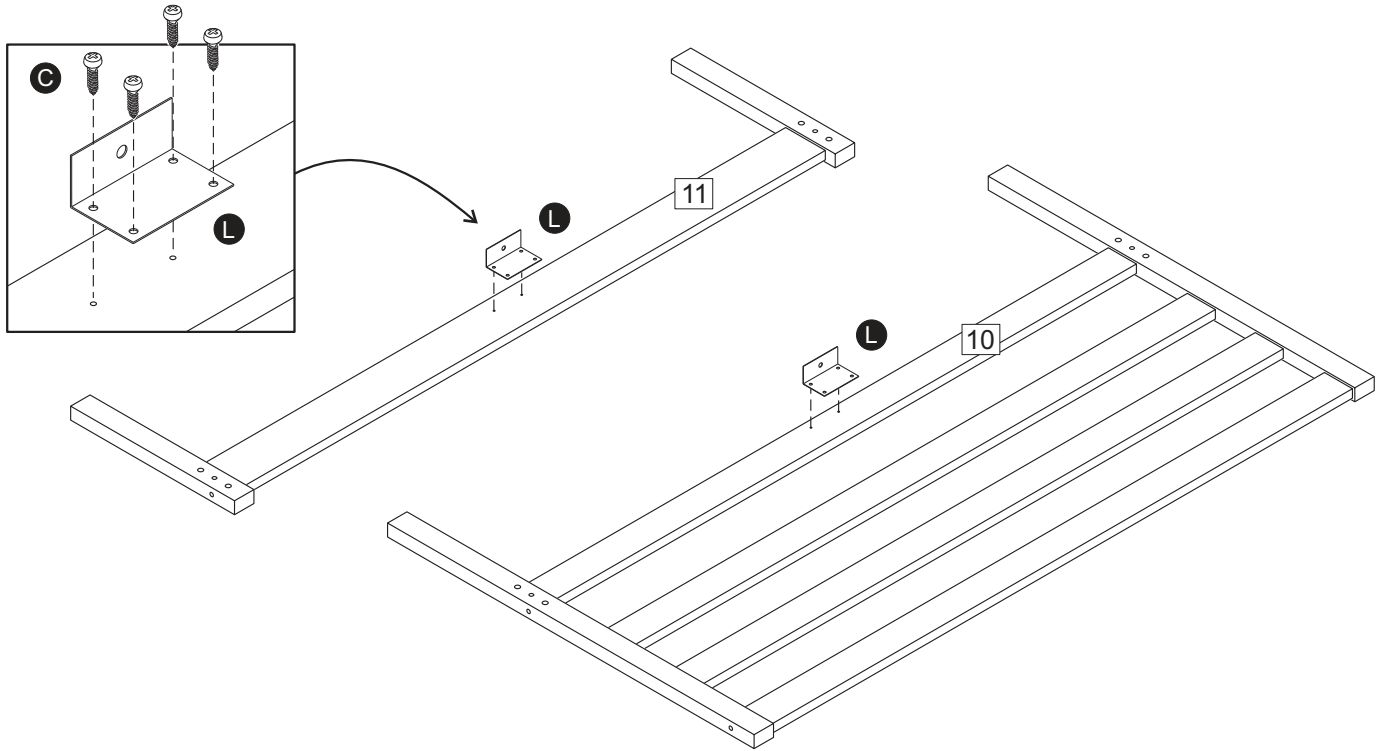
Step 5: Attach the left footend post (2) and right footend post (3) to the footend panel (11) using hardware parts H and M. **DO NOT use any power tools as this may damage the frame and will invalidate any claim.**



Step 6: Fix hardware part L to the bottom headend rail (10) and footend panel (11) using hardware part C and a screwdriver (not provided).

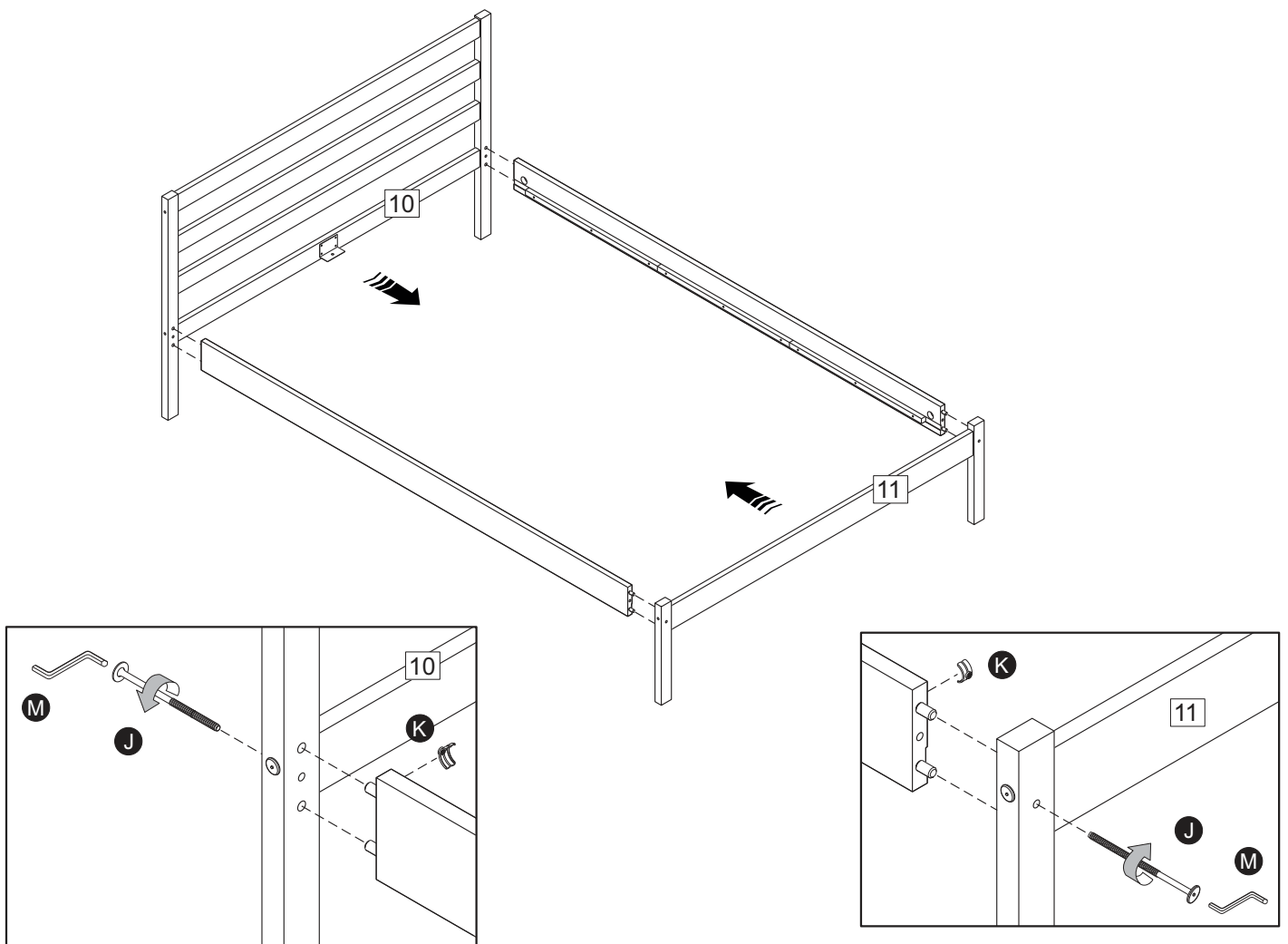
Vendor: S000238

DO NOT use any power tools as this may damage the frame and will invalidate any claim.



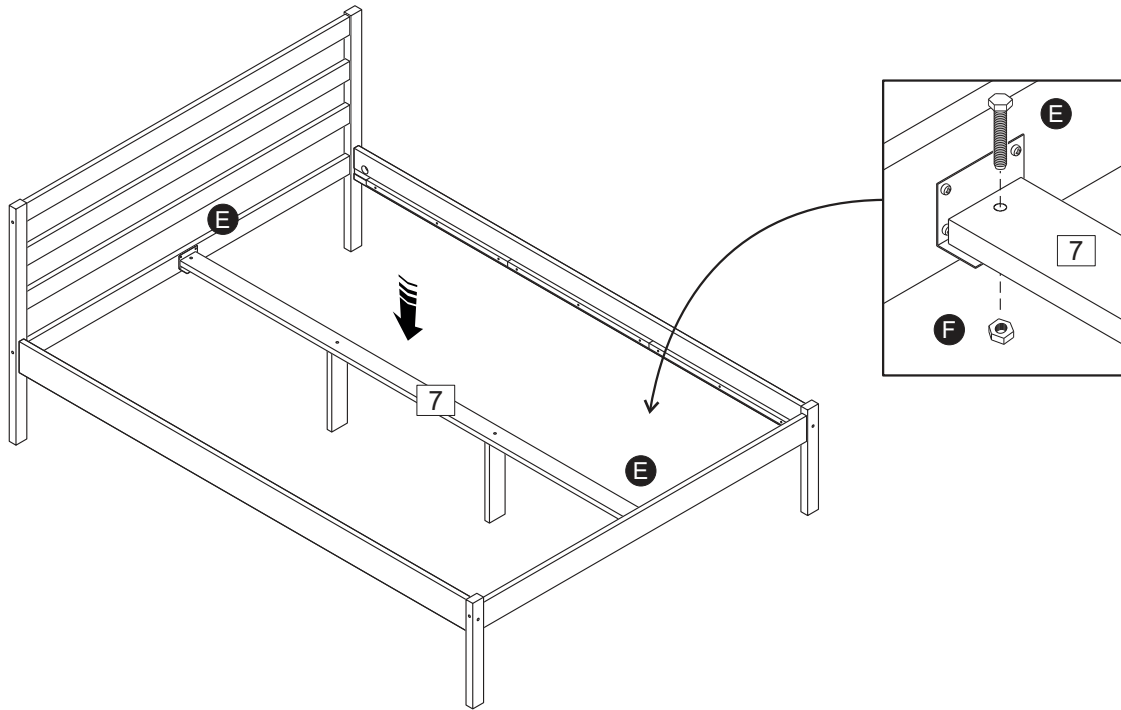
Step 7: Attach the side rails to the headend posts at the same time using hardware parts J, K and M.

DO NOT use any power tools as this may damage the frame and will invalidate any claim.

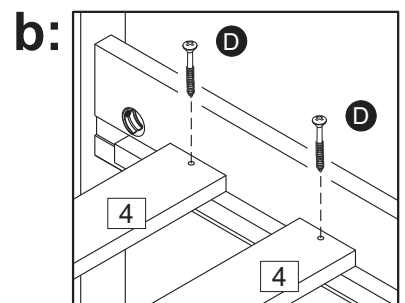
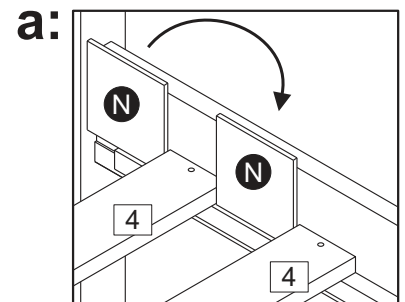
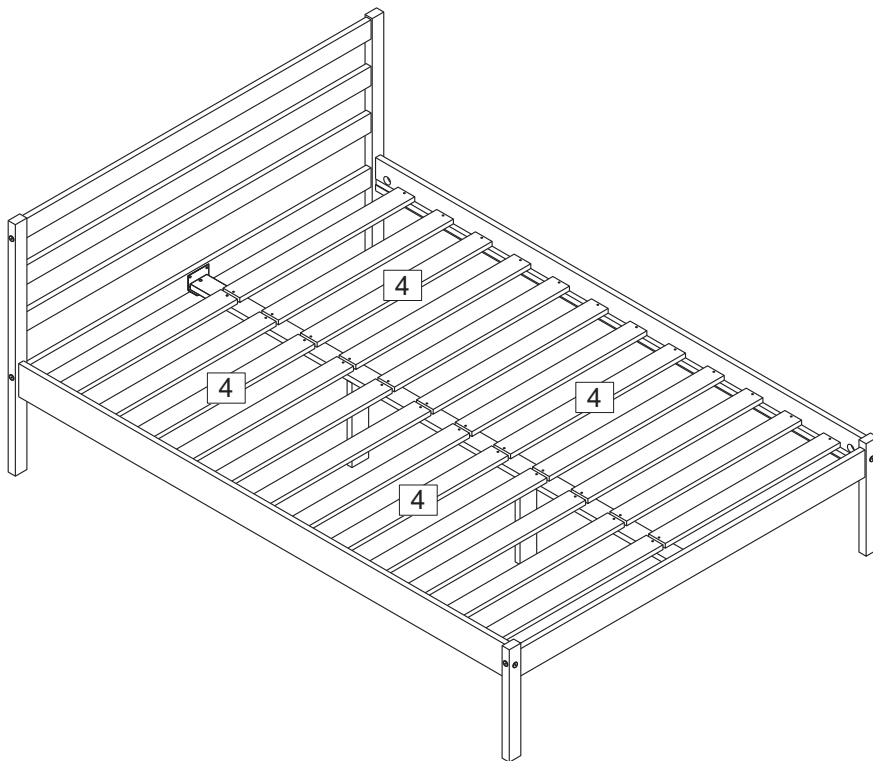


Step 8: Fix the centre rail (7) using hardware parts E and F and a spanner (not provided).
DO NOT use any power tools as this may damage the frame and will invalidate any claim.

Vendor: S000238



Step 9: Fix slats (4) to the side rails and centre rail using hardware parts D and N with a screwdriver (not provided).
Make sure to start from the ends and work towards the middle.
DO NOT use any power tools as this may damage the frame and will invalidate any claim



Additional Information:

- For complete product information, images and dimension diagrams please visit the website www.birlea.com
- If you have any issues with your item please contact the retailer directly you purchased it from who will be able to resolve any issues with Birlea.
- Why don't you send us photos of your assembled furniture to info@birlea.com to be shared in our #birleahome feature on Instagram.



Birlea

Suppliers of inspiration