



Birlea

Suppliers of inspiration

Vendor: S000238



ASSEMBLY INSTRUCTIONS

HEMINGTON CORNER DINING SET

IMPORTANT: READ THESE INSTRUCTIONS CAREFULLY BEFORE ASSEMBLING OR USING YOUR HEMINGTON CORNER DINING SET.

PLEASE KEEP THESE INSTRUCTIONS FOR FUTURE REFERENCE.

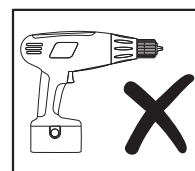
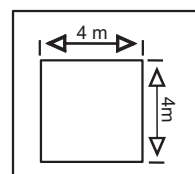
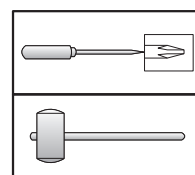
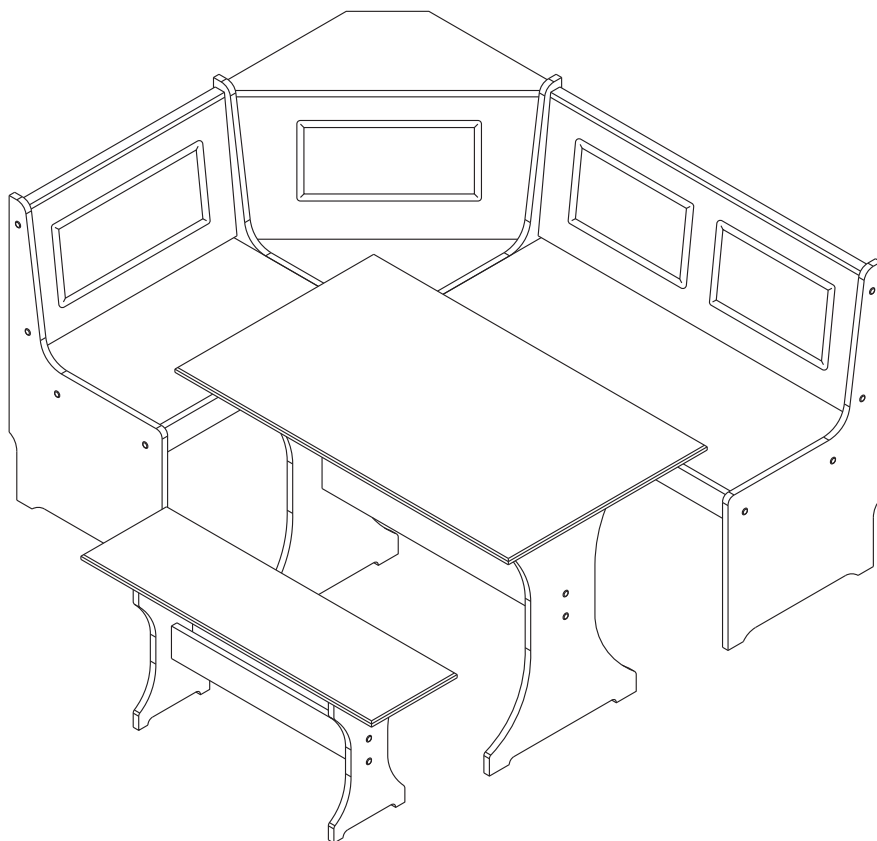
HEALTH & SAFETY:

DO NOT jump on this dining set.
DO NOT use this dining set if any parts are missing, damaged or worn.
DO NOT use this dining set unless all fixings are secured.
Always use on a level, even surface.

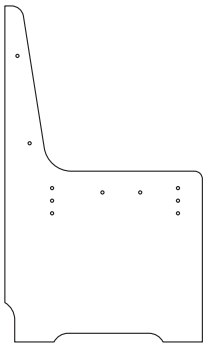
WARNING: If this set is placed on a non-carpeted floor you must place some protection under all legs to stop the set frame from moving. If this is not adhered to there is no guarantee if the set frame collapses.

CARE & MAINTENANCE:

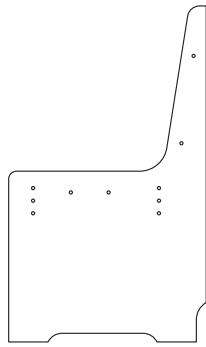
Periodically check all screws & fixings to ensure they are secure.
DO NOT push the set frame as this will damage the legs.
Always lift the set with two people to reposition.
Keep any sharp objects away from the frame.



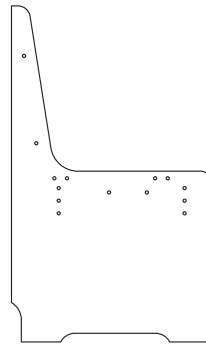
PARTS LIST



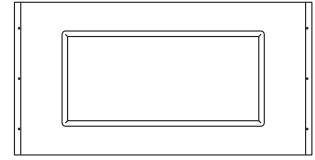
1 Right side panel
(85 x 50cm)



2 Left side panel
(85 x 50cm)



3 Middle side panel x 2
(85 x 50cm)



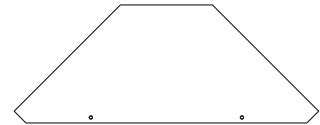
12 Corner back panel
(76.6 x 38.8cm)



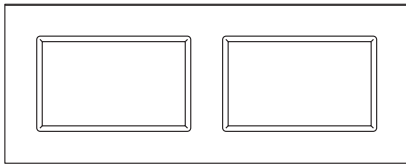
4 Large seat panel
(102.5 x 40.5cm)



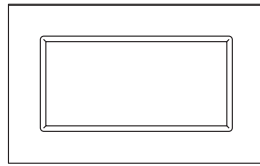
8 Small seat panel
(64.9 x 40.5cm)



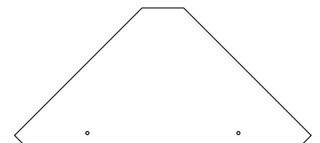
13 Top corner
(77.4 x 29cm)



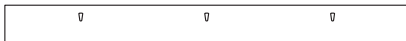
5 Large back panel
(102.6 x 40.4cm)



9 Small back panel
(65 x 40.4cm)



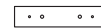
14 Corner seat panel
(76.4 x 34.7cm)



6 Large cross rail x 2
(102.6 x 9.5cm)



10 Small cross rail x 2
(65 x 9.5cm)



15 Blocks x 4
(23.6 x 5.2cm)



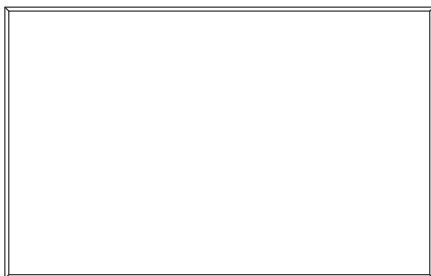
7 Large top rail
(102.5 x 3.2cm)



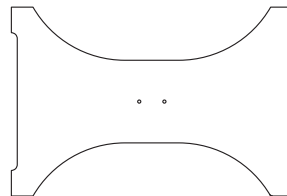
11 Small top rail
(64.9 x 3.2cm)



16 Back supports x 2
(38.7 x 9.5cm)



17 Table top
(109 x 69cm)



18 Table leg x 2
(71.4 x 48cm)



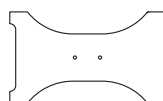
19 Table centre rail
(76 x 9.5cm)



20 Table top rail x 2
(63 x 5.2cm)



21 Bench seat panel
(102 x 28cm)



22 Bench leg x 2
(39.5 x 23.2cm)



23 Bench centre rail
(70 x 9.5cm)



26 Hardware Kit x 1




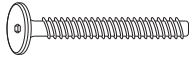


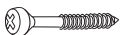

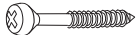


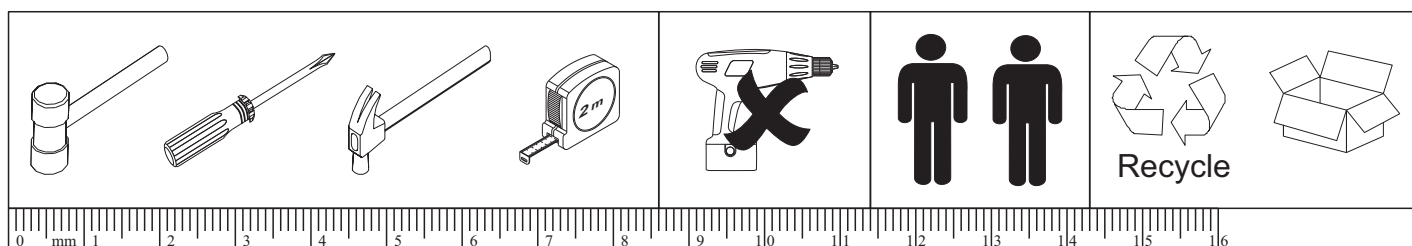
24 Bench top rail x 2
(23.6 x 5.2cm)



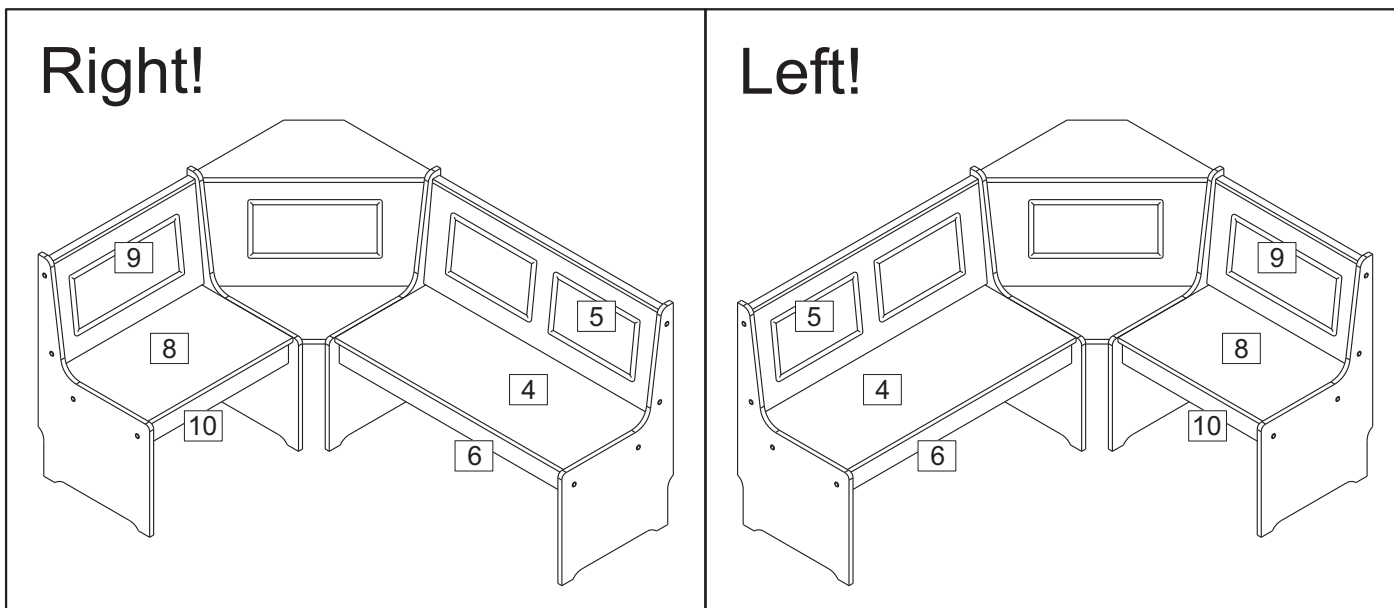
25 Bench support
(16.8 x 9.5cm)

HARDWARE LIST

Part	Item	Qty	Part	Item	Qty
A	30mm dowel 	40	F	50mm Bolt 	12
B	50mm dowel 	8	G	50mm Bolt 	16
C	25mm Screw 	6	H	Plastic hole plugs 	16
D	30mm Screw 	49	J	Allen key 	1
E	40mm Screw 	8	You will need a screwdriver and small mallet (not provided).		



Attention: Select the layout of the bench



The product can be assembled left or right.

Assembly Instructions show option right!

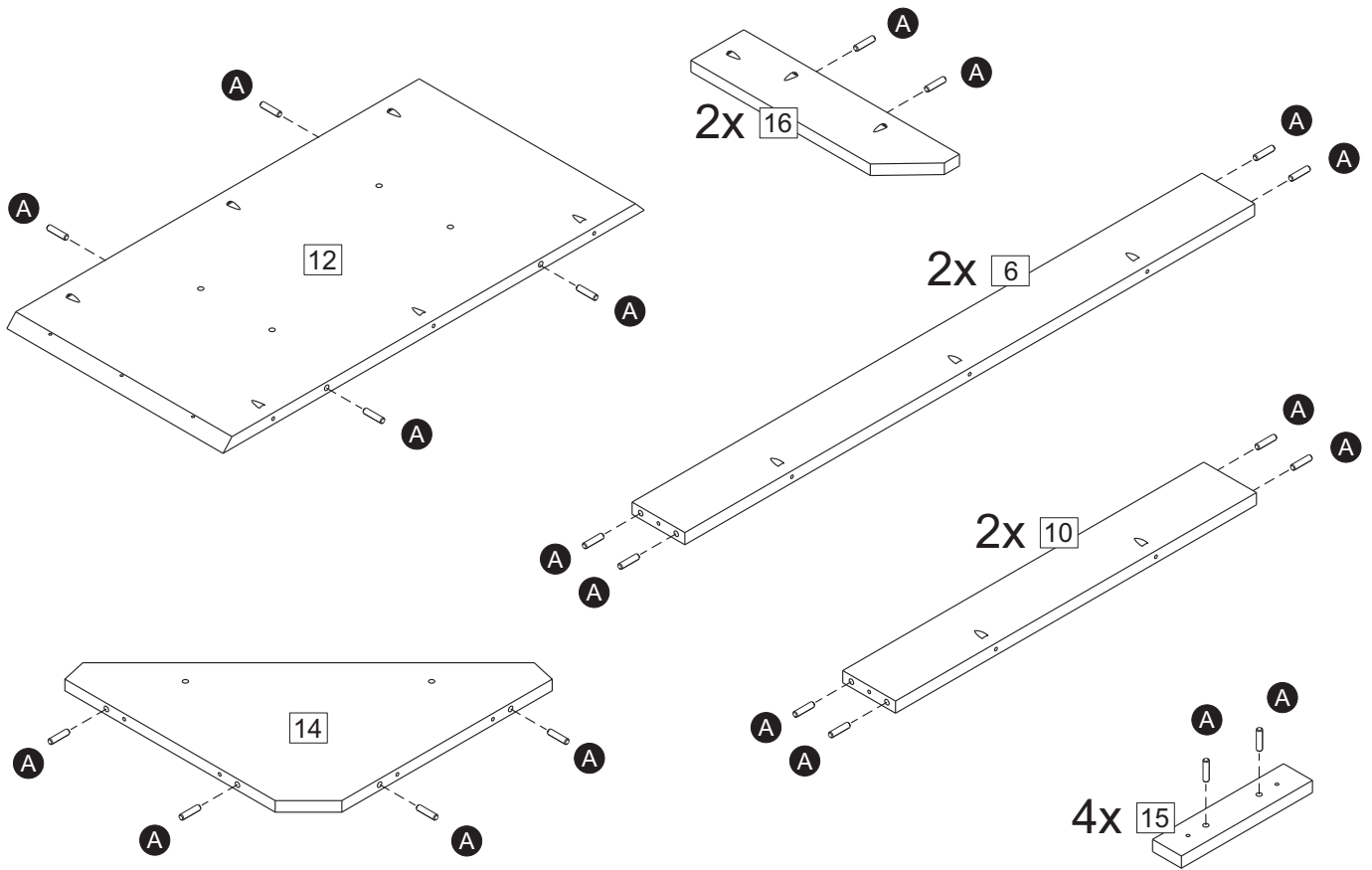
For left options swap back panels **5** and **9** , seat panels **4** and **8** as well as rails **6** and **10** .

Attention:

Outside side panels **1** and **2** plus central parts **3** , **12** , **13** and **14** remain unchanged.

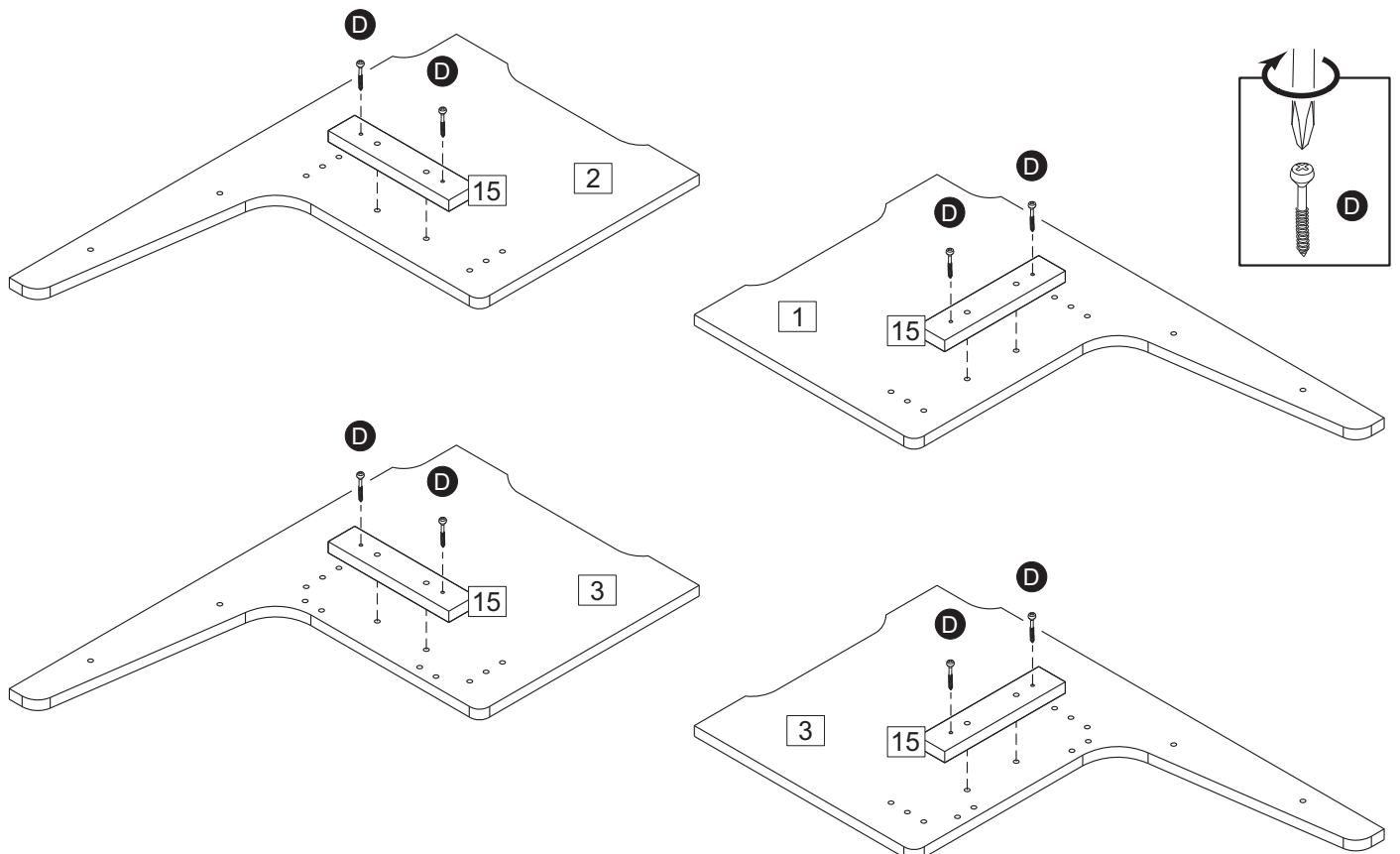
Step 1: Insert hardware A in the joint parts shown using a small mallet (not provided).

Vendor: S000238



Step 2: Attach the blocks (15) to the side panels and middle side panels using hardware parts D with a screwdriver (not provided).

DO NOT use any power tools as this may damage the frame and will invalidate any claim.

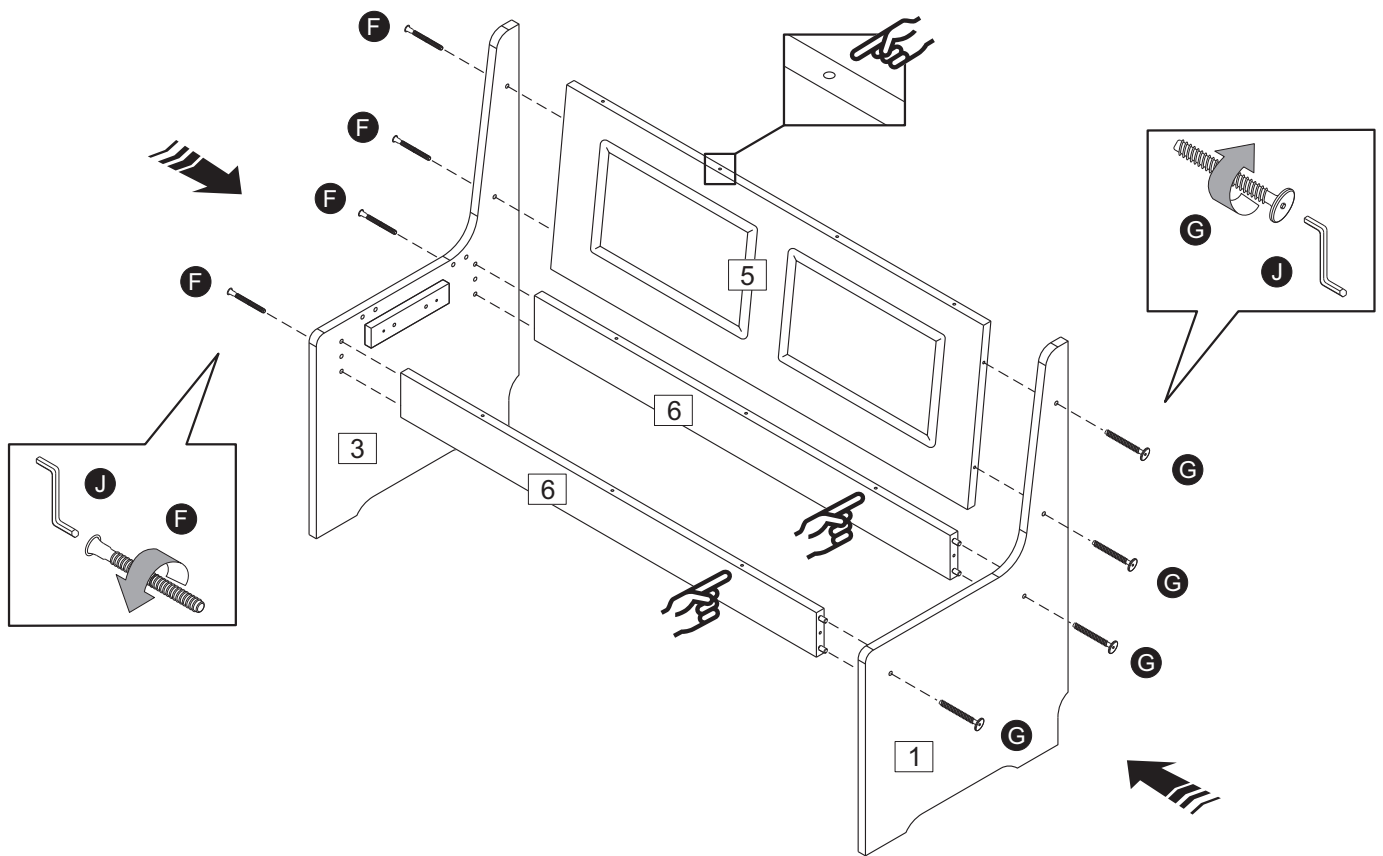


Step 3: Attach the large back panel (5) and large cross rails (6) to the middle side panel (3) using hardware parts F and J.

Vendor: S000238

Attach the right side panel (1) and assembled frame using hardware parts G and J.

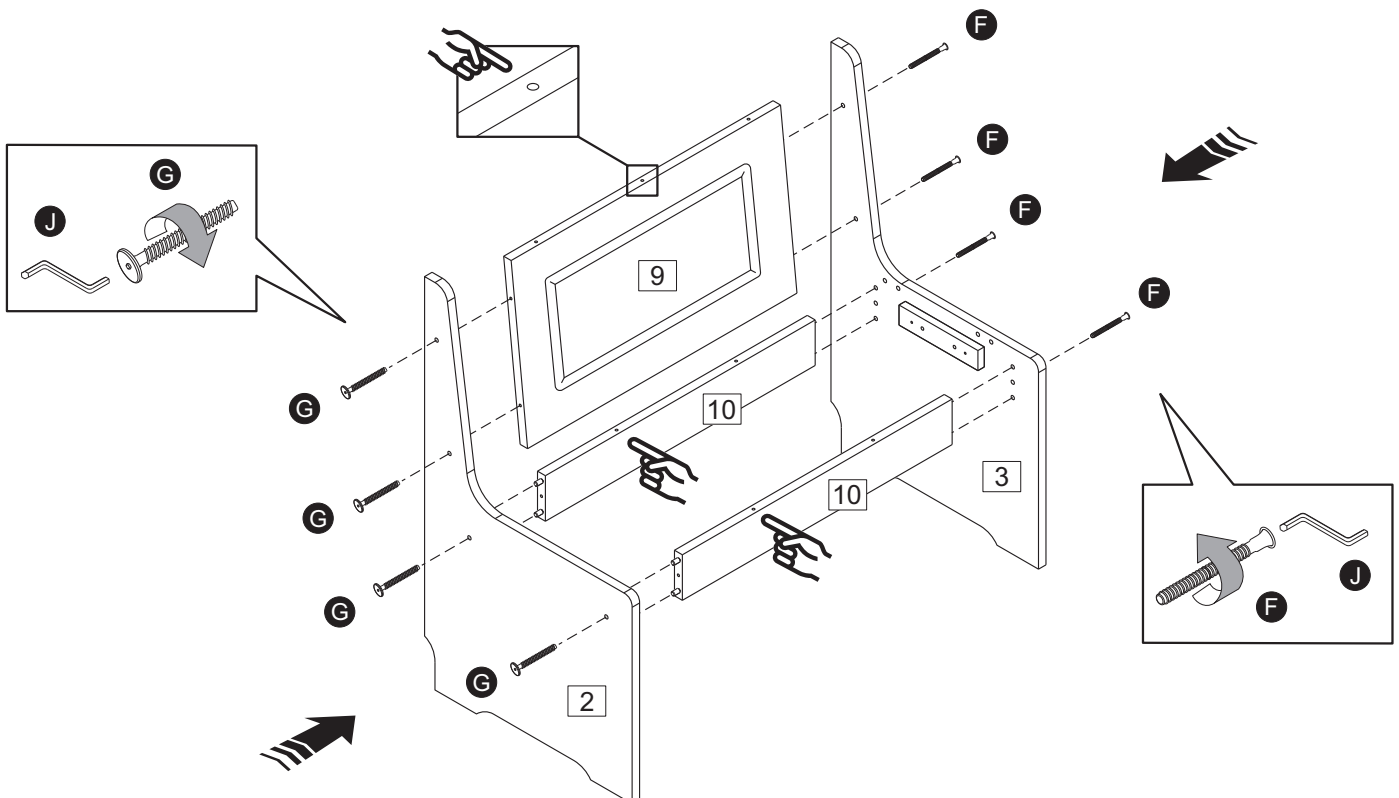
DO NOT use any power tools as this may damage the frame and will invalidate any claim.



Step 4: Attach the small back panel (9) and small cross rails (10) to the middle side panel (3) using hardware parts F and J.

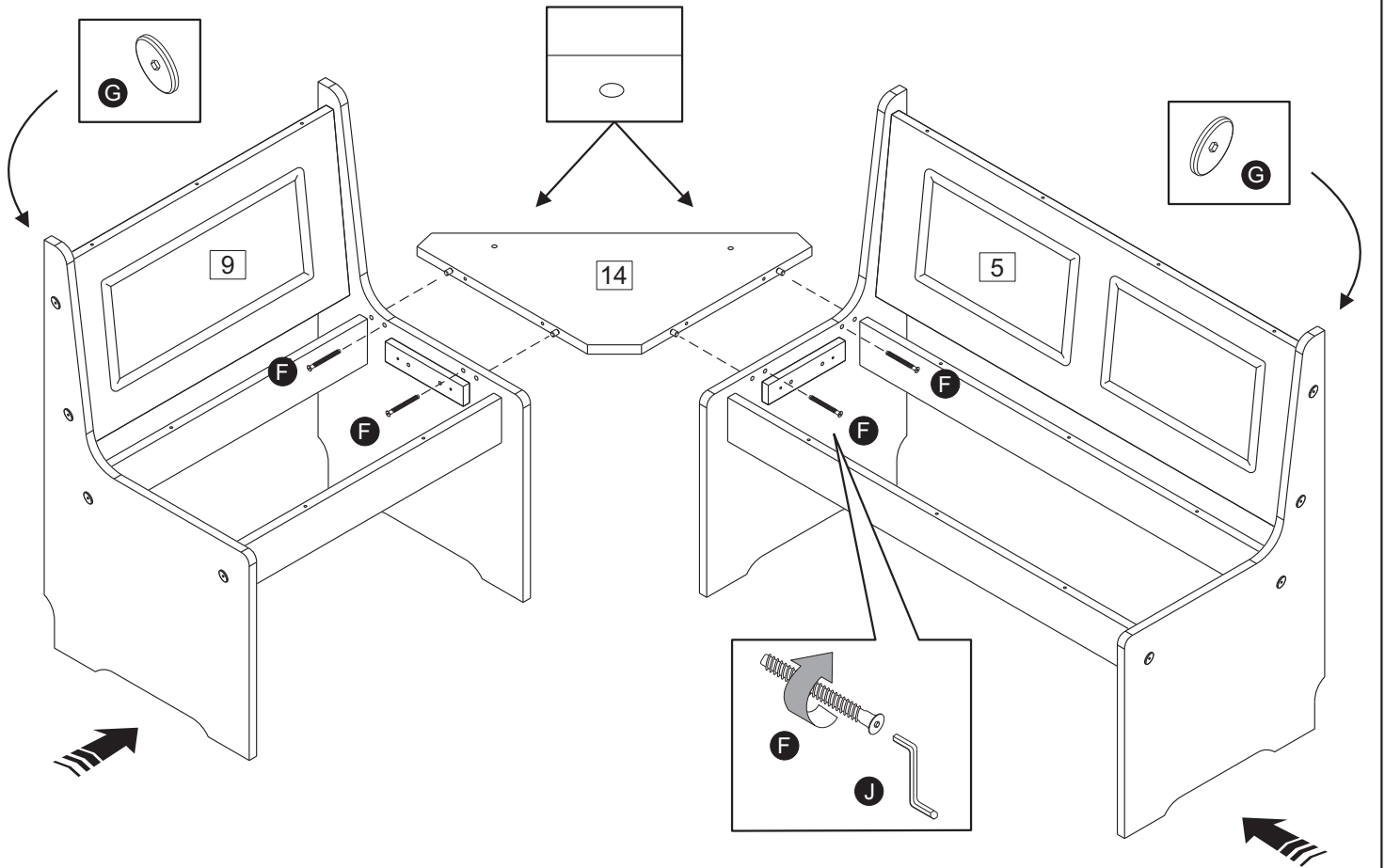
Attach the left side panel (2) and assembled frame using hardware parts G and J.

DO NOT use any power tools as this may damage the frame and will invalidate any claim.

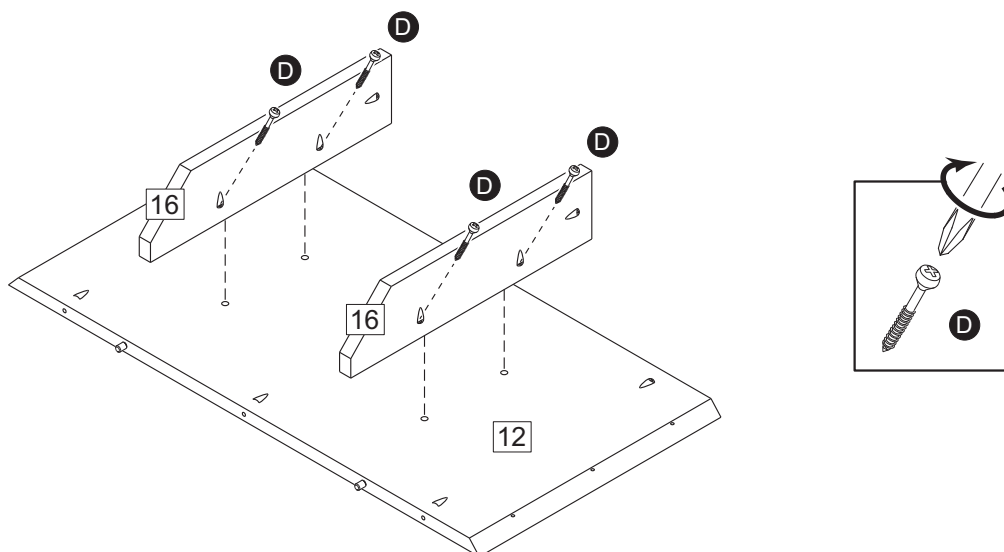


Step 5: Attach the corner seat panel (14) and assembled frames using hardware parts F and J. **DO NOT** use any power tools as this may damage the frame and will invalidate any claim.

Vendor: S000238



Step 6: Attach back supports (16) to the corner back panel (12) using hardware parts D with a screwdriver (not provided). **DO NOT** use any power tools as this may damage the frame and will invalidate any claim.

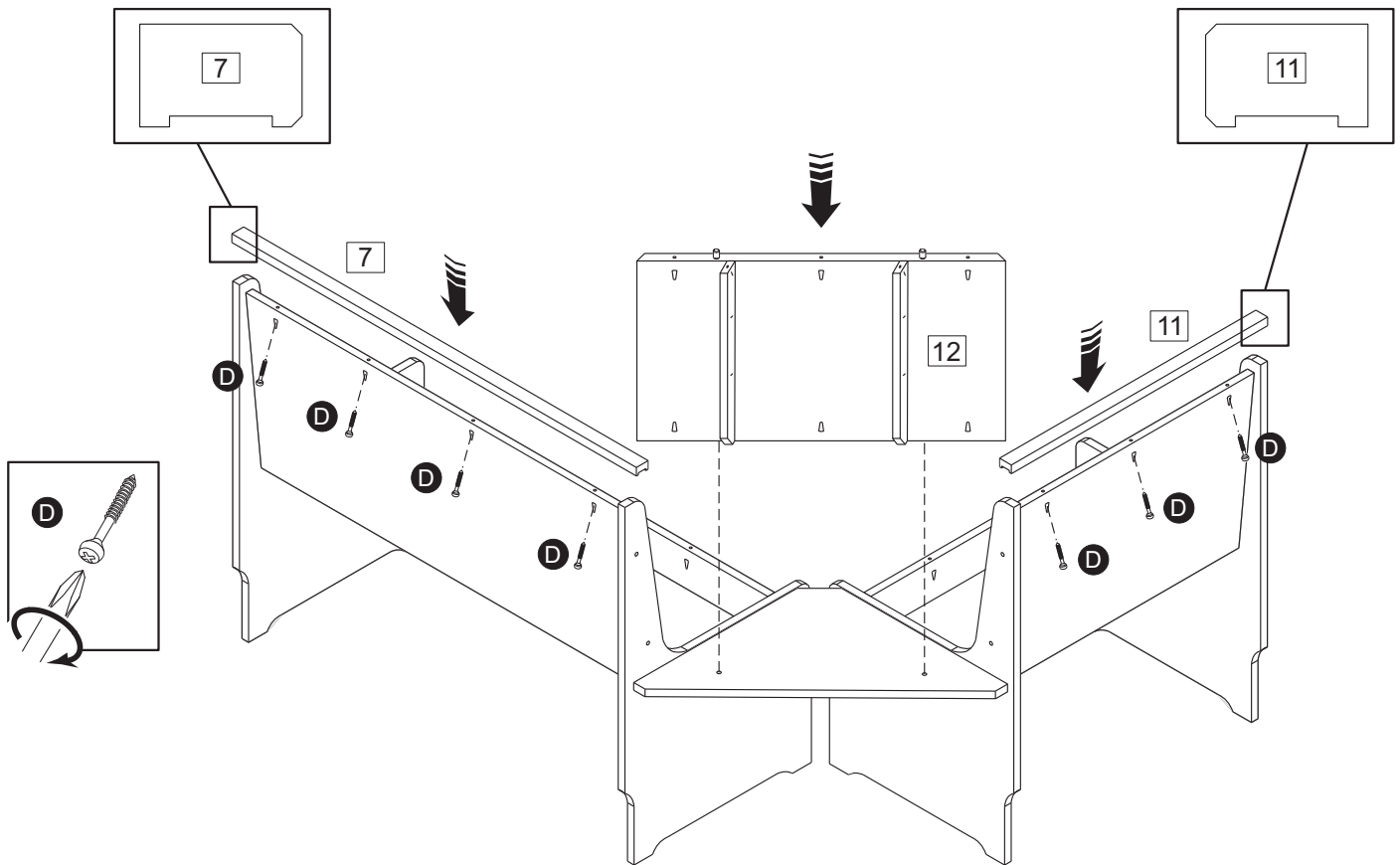


Step 6: Attach the large top rail (7) and small top rail (11) to the back panels using hardware parts D with a screwdriver (not provided).

Vendor: S000238

Fit corner back panel (12) to the corner seat panel (14).

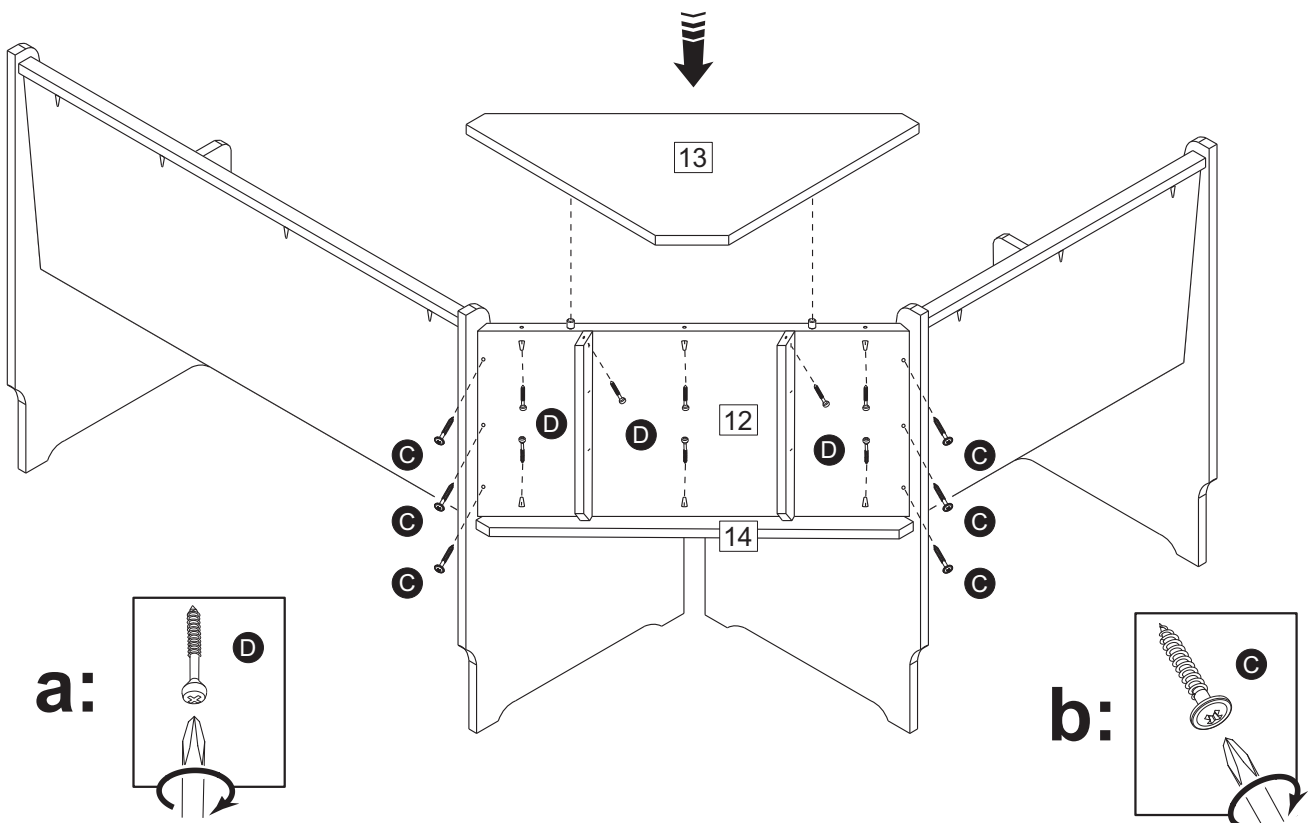
DO NOT use any power tools as this may damage the frame and will invalidate any claim.



Step 7: Attach the corner back panel (12) and back supports (16) to the top corner (13) and corner seat panel (14) using hardware parts D with a screwdriver (not provided).

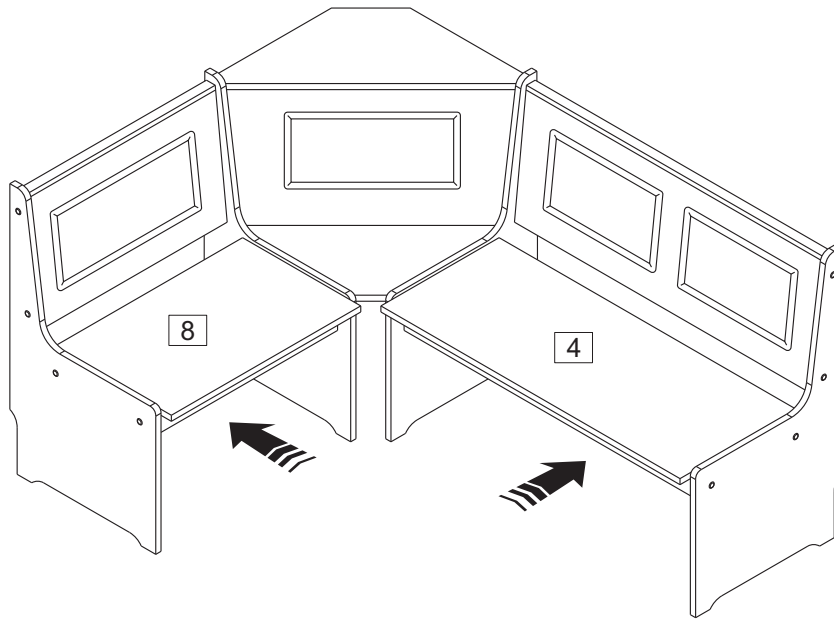
Attach the corner back panel (12) to the middle side panels using hardware parts C with a screwdriver (not provided).

DO NOT use any power tools as this may damage the frame and will invalidate any claim.

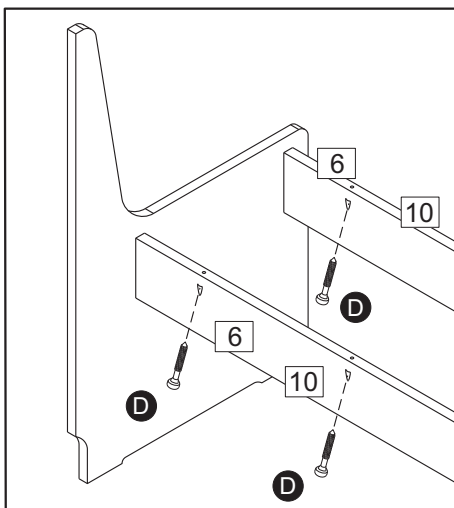
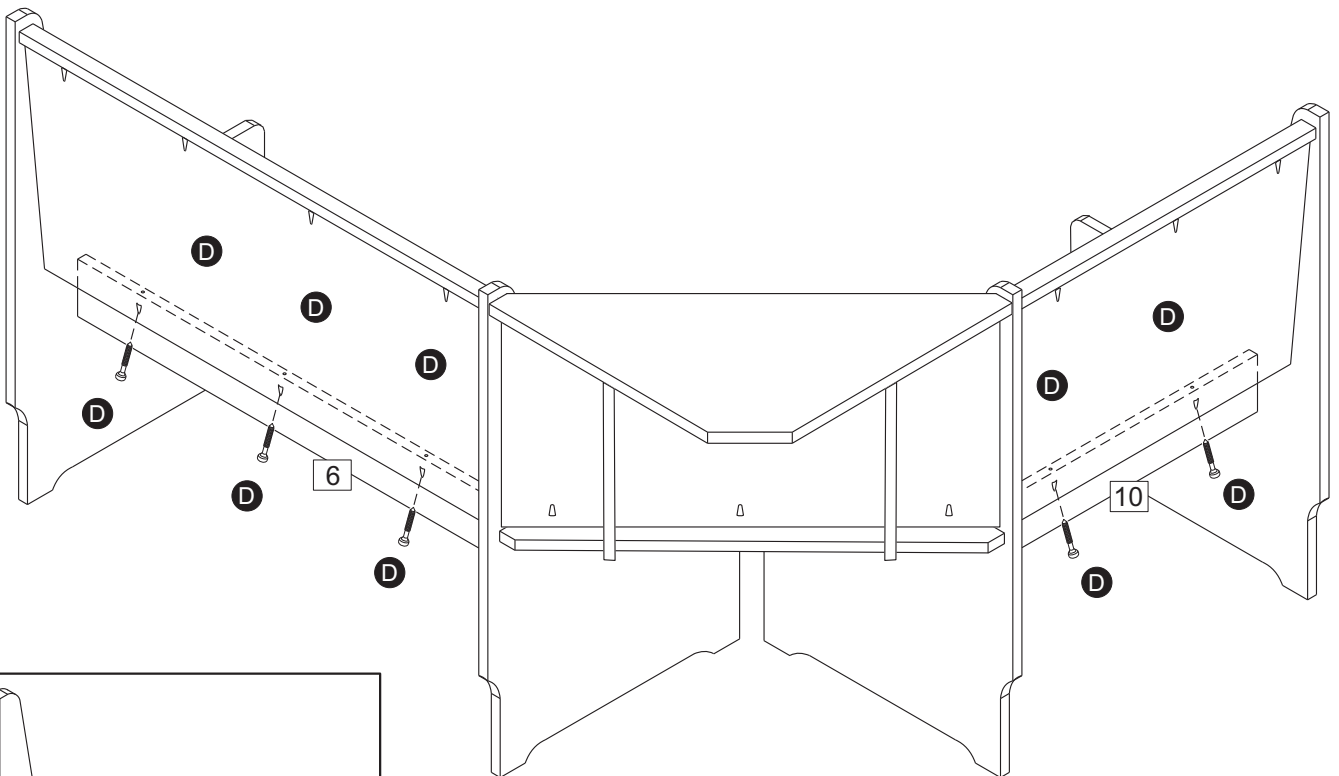


Step 9: Insert the large seat panel (4) and small seat panel (8) into assembled frames.

Vendor: S000238

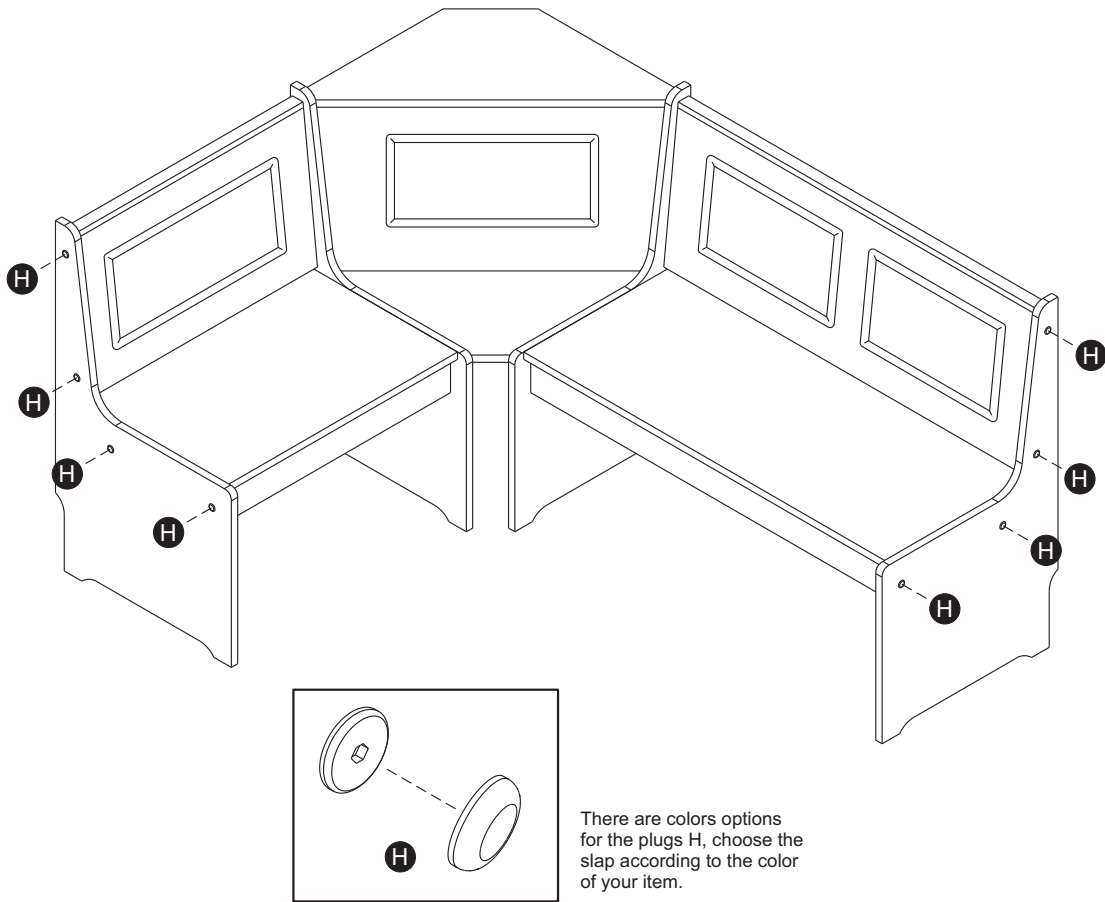


Step 10: Attach the cross rails to the seat panels using hardware parts D with a screwdriver (not provided). **DO NOT** use any power tools as this may damage the frame and will invalidate any claim.

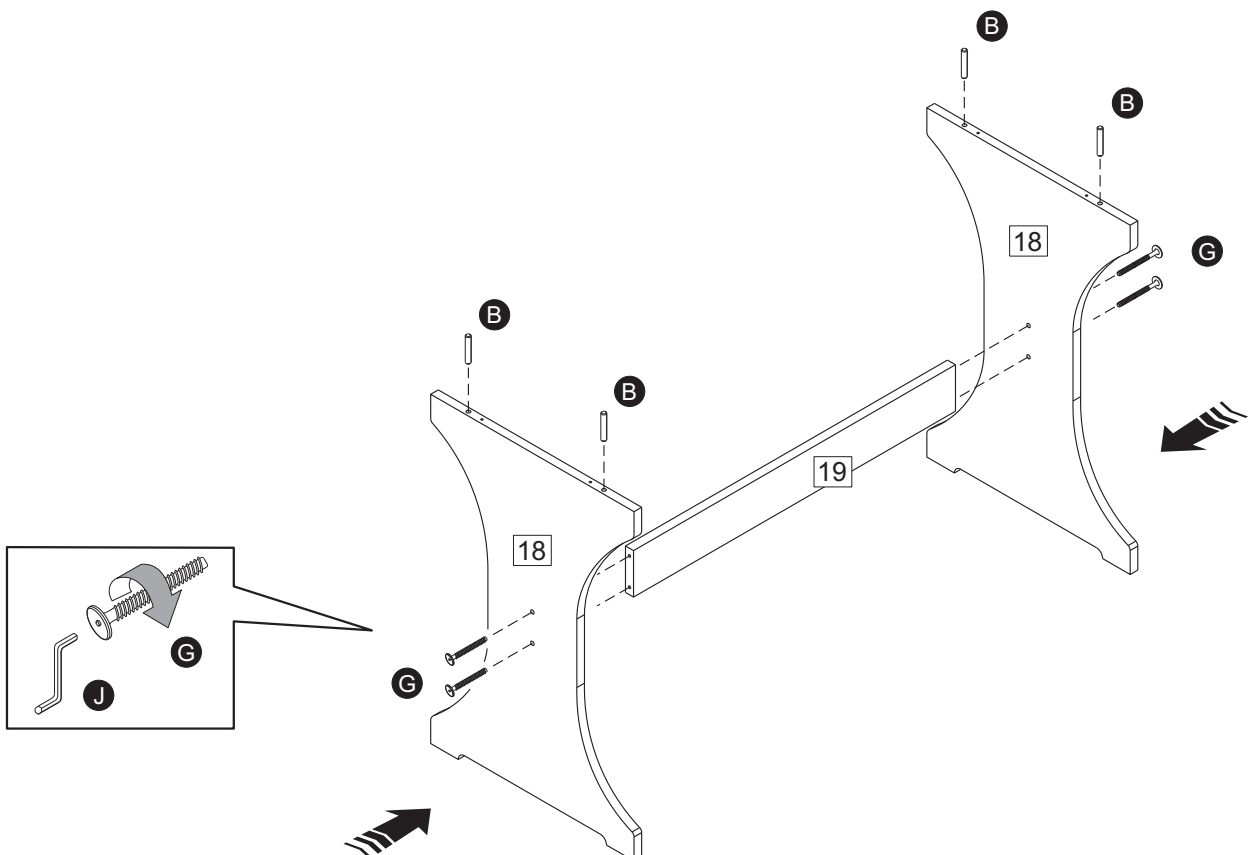


Step 11: Insert hardware part H to the side panels.

Vendor: S000238



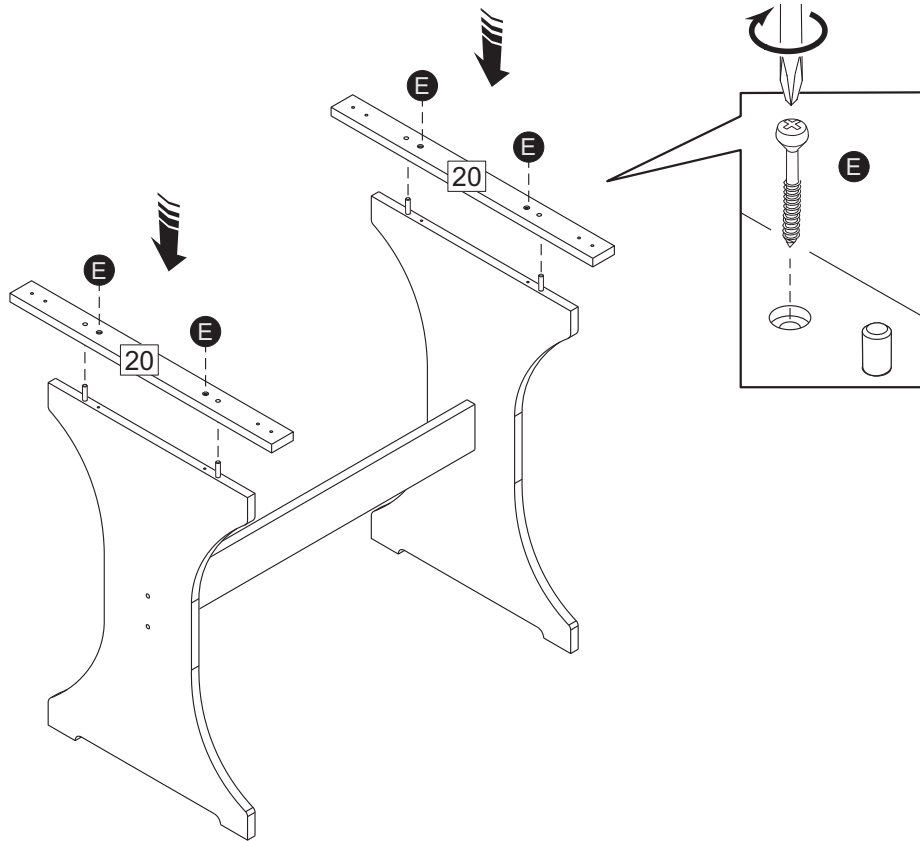
Step 12: Attach the table legs (18) to the table centre rail (19) using hardware parts G and J. Insert hardware part B into the joint table legs (18) using a small mallet (not provided). **DO NOT** use any power tools as this may damage the frame and will invalidate any claim.



Step 13: Attach the table top rails (20) to the table legs (18) using hardware parts E with a screwdriver (not provided).

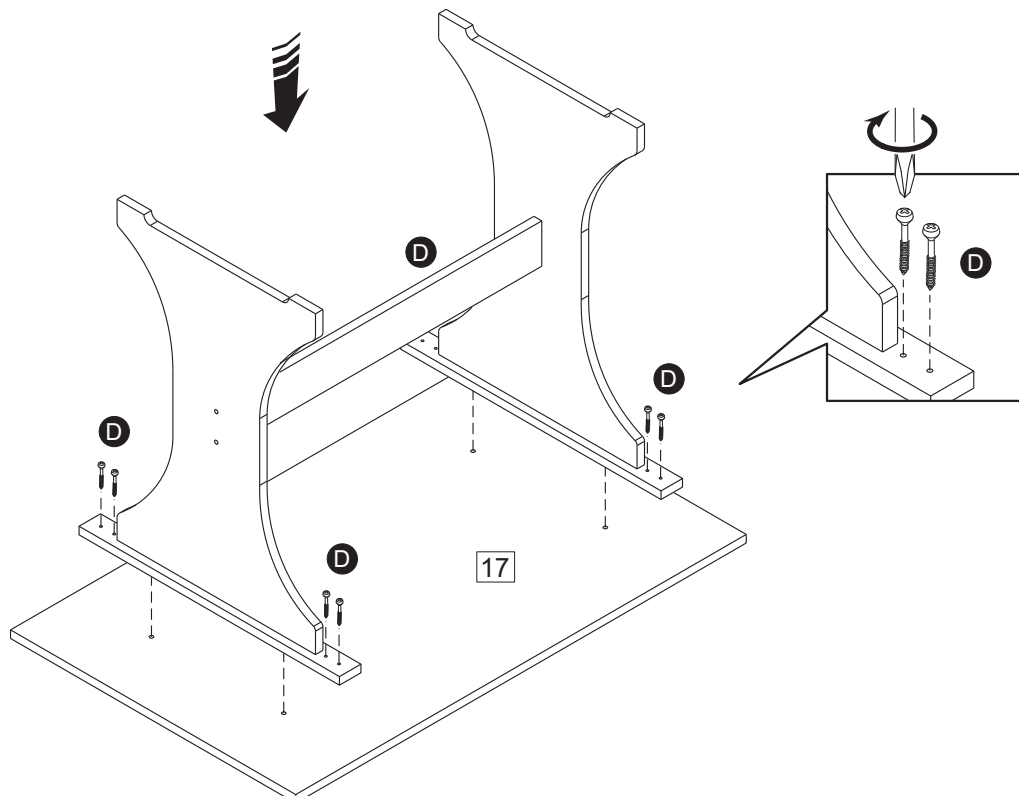
Vendor: S000238

DO NOT use any power tools as this may damage the frame and will invalidate any claim.



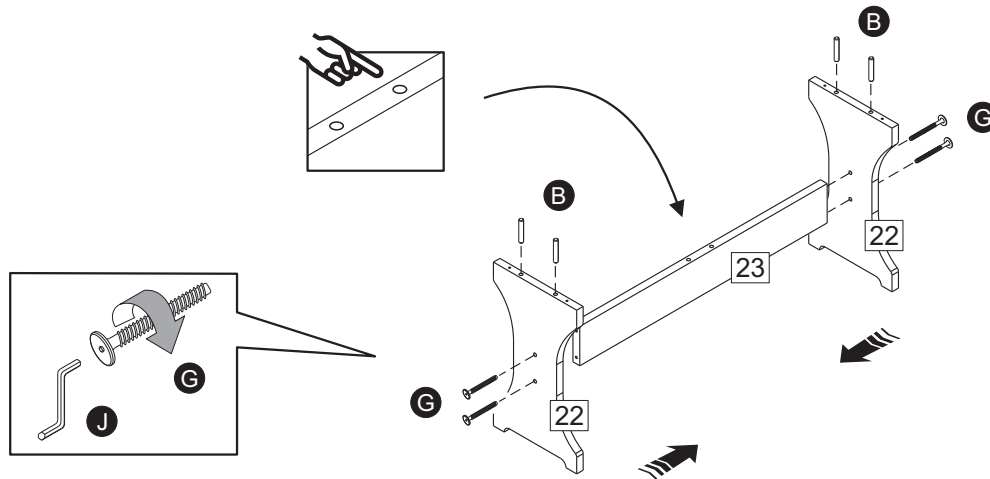
Step 14: Attach the assembled frame to the table top (17) using hardware parts D with a screwdriver (not provided).

DO NOT use any power tools as this may damage the frame and will invalidate any claim.

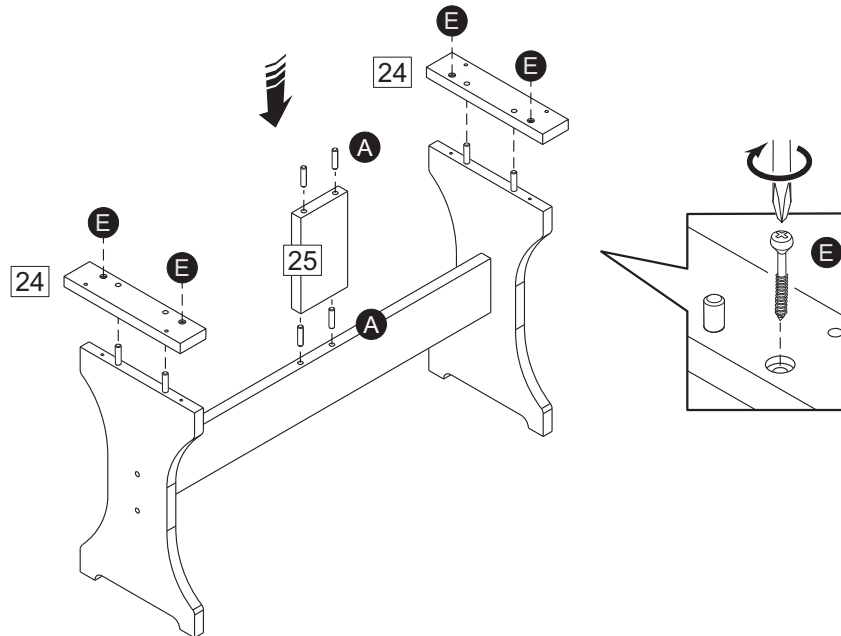


Step 15: Attach the bench legs (22) to the bench centre rail (23) using hardware parts G and J. Insert hardware part B into the joint bench legs (18) using a small mallet (not provided).
DO NOT use any power tools as this may damage the frame and will invalidate any claim.

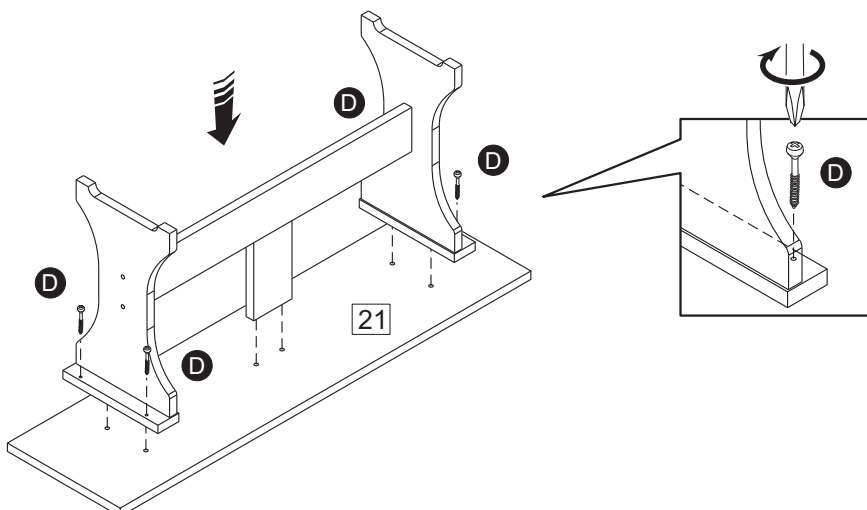
Vendor: S000238

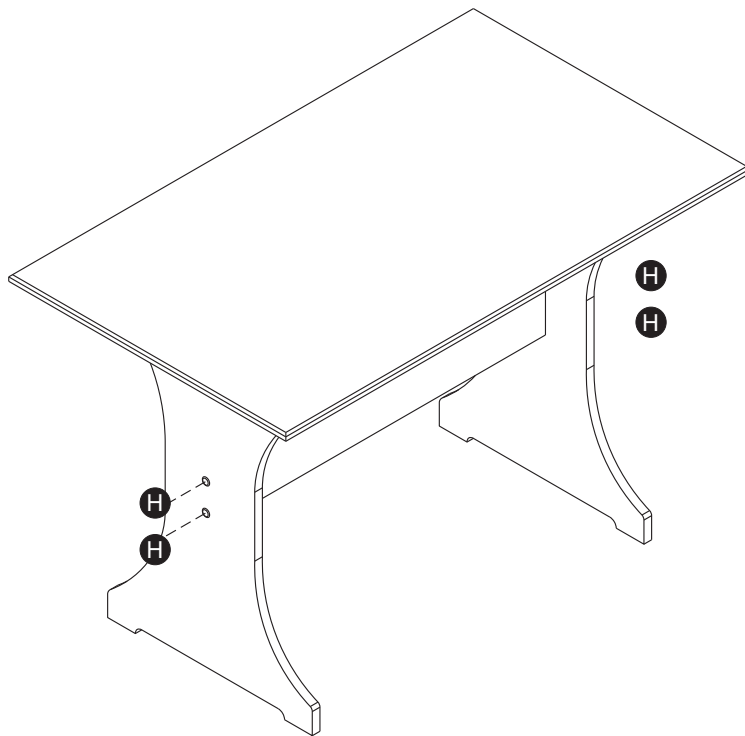


Step 16: Attach the bench top rails (24) to the bench legs (22) using hardware parts E with a screwdriver (not provided). Insert the bench support (25) to the bench centre rail (23) using hardware parts A and small mallet (not provided).
DO NOT use any power tools as this may damage the frame and will invalidate any claim.

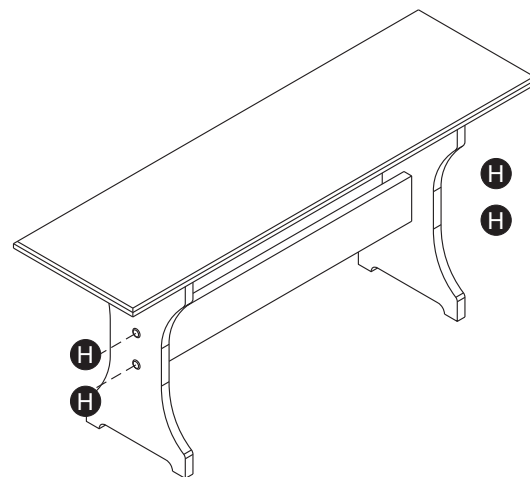
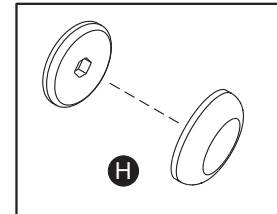


Step 17: Attach the assembled frame to the bench seat panel (21) using hardware parts D with a screwdriver (not provided).
DO NOT use any power tools as this may damage the frame and will invalidate any claim.





There are colors options for the plugs H, choose the slap according to the color of your item.



Additional Information:

- For complete product information, images and dimension diagrams please visit the website www.birlea.com
- If you have any issues with your item please contact the retailer directly you purchased it from who will be able to resolve any issues with Birlea.
- Why don't you send us photos of your assembled furniture to info@birlea.com to be shared in our #birleahome feature on Instagram.



Birlea

Suppliers of inspiration