



Birlea

Suppliers of inspiration

Assembly Instructions

Thank you for
purchasing a
Birlea product.

For a chance to win a *Love 2 Shop* voucher simply post a picture of your new product on your preferred social channels tagging Birlea Furniture and using the hashtag **#ShareYourStyle** and **#Birlea**. One winner will be selected at random each month.

To view our full terms and conditions please visit our website. www.birlea.com

Are you happy with your purchase?

Yes: That's great, we would love to hear more from you. Please leave us a review on our social media channels or Trustpilot. Your feedback will be greatly appreciated.

No: If for any reason there is something missing, indifferent or incorrect with your order, please contact the retailer you purchased the item from. We will work with the retailer to resolve your issue as quickly as possible.



www.birlea.com

ASSEMBLY INSTRUCTION

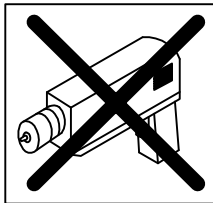
Thank you for purchasing this quality products. Be sure to check all packing material carefully for small parts which have come loose inside the carton during shipment. Identity and count all parts and compare with the parts list below. Place all wooden furniture parts on a clean and flat soft surface, such as carpet or rug to prevent from being scratched.

LIST OF PARTS

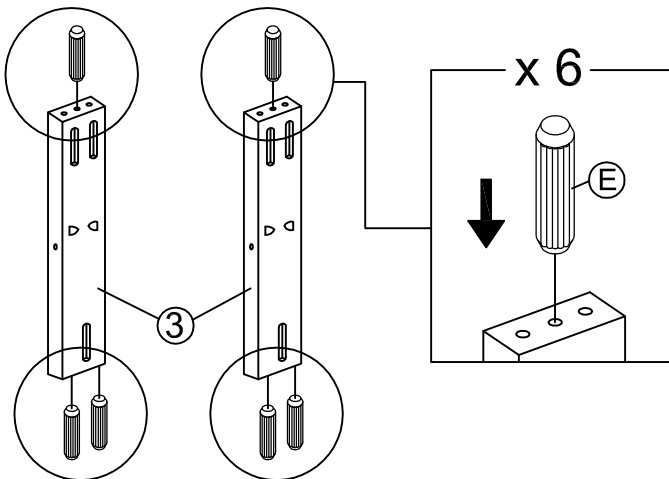
No	Description	Qty
1	Chair Back	2
2	Front Leg	2
3	Apron	4
4	Chair Seat	2
5	Strether	4

LIST OF HARDWARE

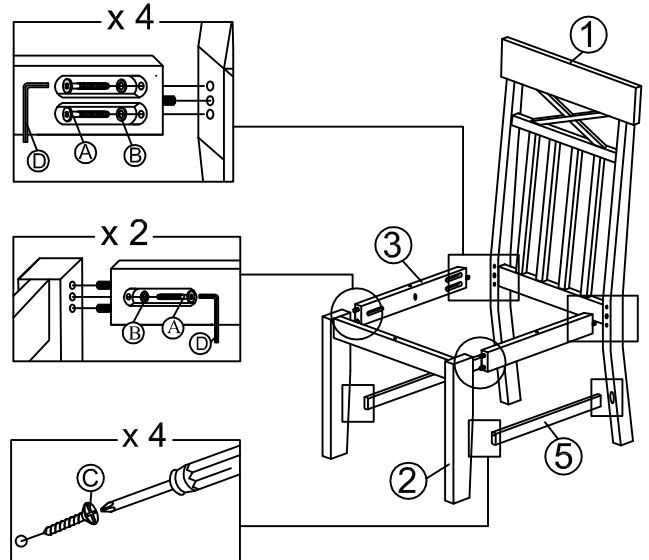
No	Description	Qty
A	JCBC Bolt	12
B	Spring Washer	12
C	Wood Screw	14
D	Allen Key	1
E	Wood Dowel	12



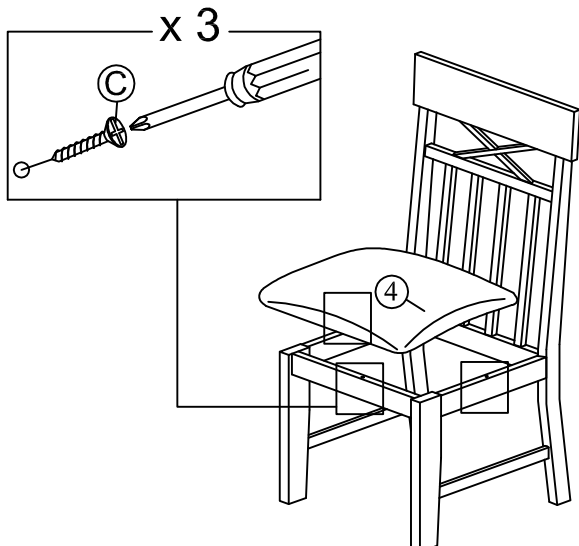
Step 1



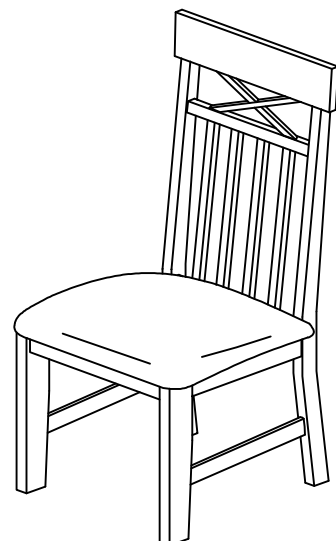
Step 2



Step 3



Step 4



COMPLETE ASSEMBLY