



Birlea

Suppliers of inspiration

Assembly Instructions

Thank you for
purchasing a
Birlea product.

For a chance to win a Love 2 Shop voucher simply post a picture of your new product on your preferred social channels tagging Birlea Furniture and using the hashtag **#ShareYourStyle** and **#Birlea**. One winner will be selected at random each month.

To view our full terms and conditions please visit www.birlea.com

Are you happy with your purchase?

Yes: That's great, we would love to hear more from you. Please leave us a review on our social media channels or Trustpilot. Your feedback will be greatly appreciated.

No: If for any reason there is something missing, indifferent or incorrect with your order, please contact the retailer you purchased the item from. We will work with the retailer to resolve your issue as quickly as possible.



HALFDEN- King

Assembly Instructions

Before you begin...

1. Please check in your desired room of use.
2. Unpack all boxes and lay out each component on the floor.
3. Check your product for any damage that may be immediately obvious. If damage is identified, please contact your retailer.
4. Please read through these instructions thoroughly to ensure you have constructed your bed correctly.

For Care and Maintenance of your bed...

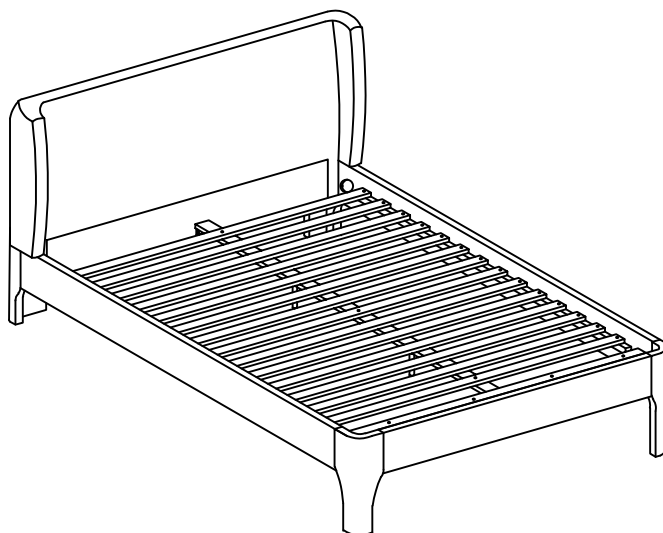
- Always assemble in your desired room of use.
- Always check all screw and fixings periodically to ensure they are still secure.
- Do not push or pull this bed as it will cause damage.
- Always lift this bed with a second person to prevent damage or injury.
- Keep any sharp objects away from this bed frame.

For your Health and Safety...

- Please don't not jump on this bed.
- Do not use this bed if you find missing, damaged or worn parts. Please contact your retailer.
- Please do not use this bed until you have fully secure all fixings.
- Please keep all small components away from children.
- Please ensure this bed is on an even, level surface.

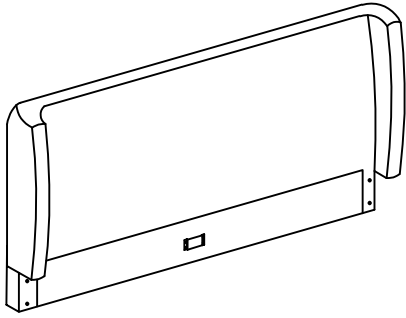
Also...

If your desired room of choice has a non-carpeted surface ensure please that you use some form of protection and **do not** place directly on the wooden floor. This will prevent the bed from moving and therefore collapsing which will void your guarantee...

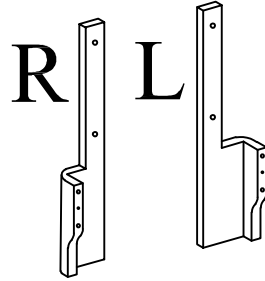




Box 1



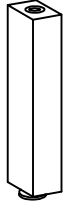
1. Headboard (x1)



2. Headboard Legs (L/R) (x2)



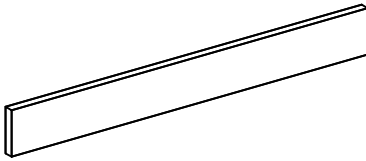
3. Footboard Legs (x2)



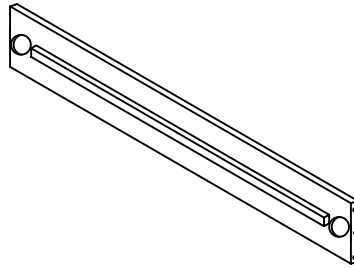
4. Support Legs (x2)



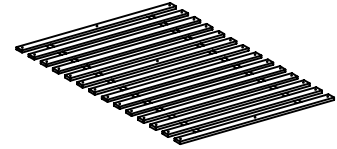
Box 2



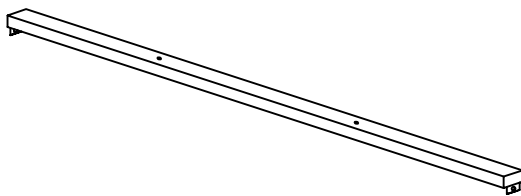
5. Footboard (x1)



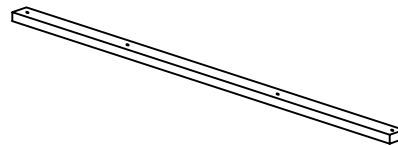
6. Siderail (x2)



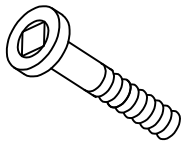
7. Slats (x1)



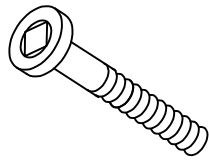
8. Centre Rail (x1)



9. Top Slat (x1)



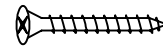
A.M6 x 40 mm JCBC (x6)



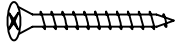
B.M6 x 50 mm JCBC (x6)



C.Allen Key M4 x 65 mm (x1)



D.M4 x 25 mm CSK (x2)



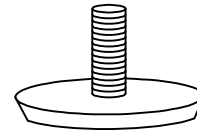
E.M4 x 32 mm CSK (x35)



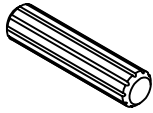
F.Spring Washers (x10)



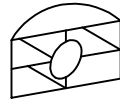
G.Flat Washers (x10)



H.Adjuster (x2)



I.Plastic Dowell 25mm (x12)

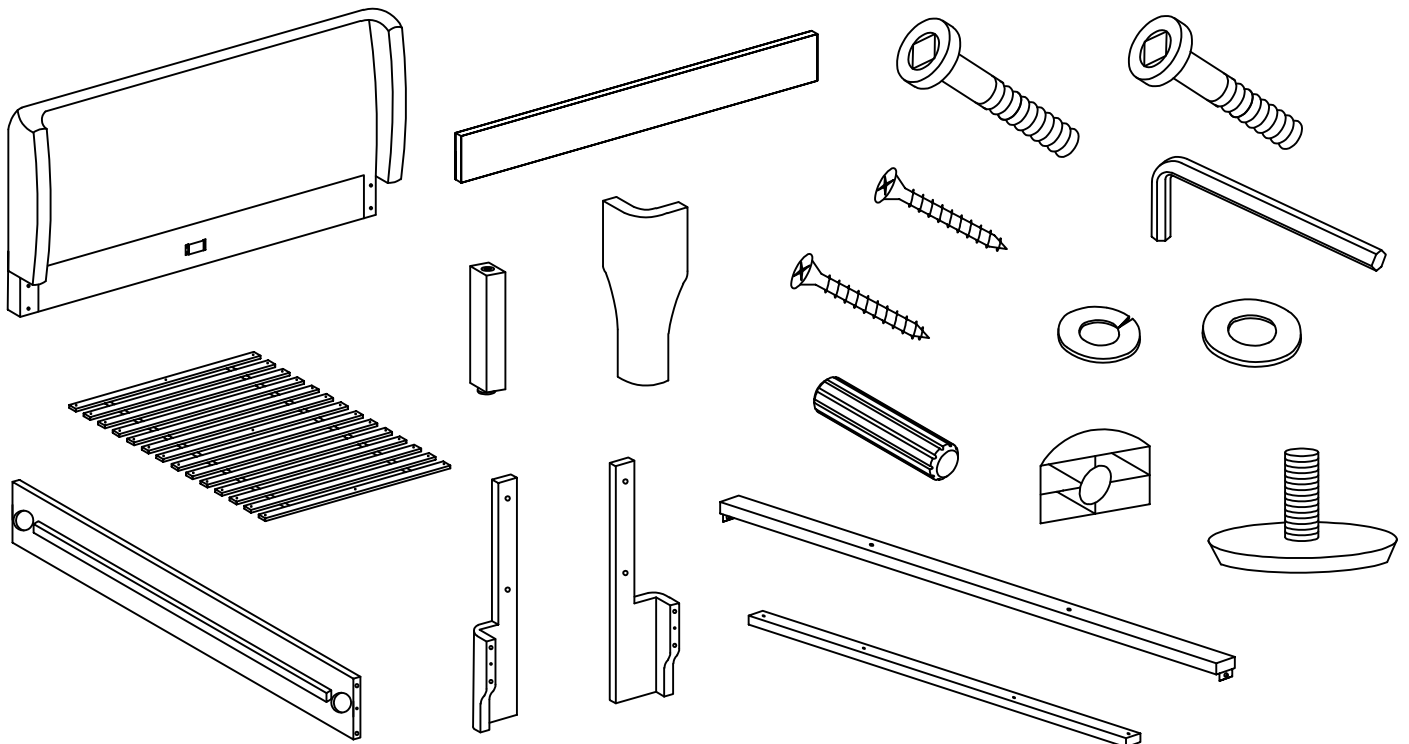


J.Cap Nut (x6)

***You will need a screwdriver (not provided)**

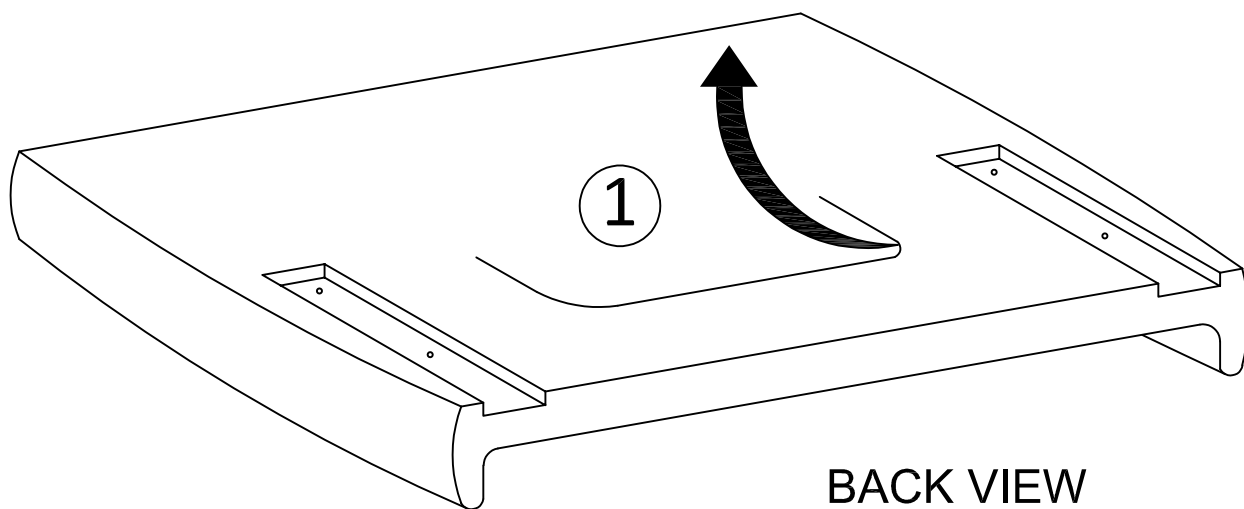
Step 1

Unpack all components from the boxes and check you are not missing anything. Please check these against the list on page 3 & 4. Should you identify any missing components, please contact the retailer you purchased the bed from.



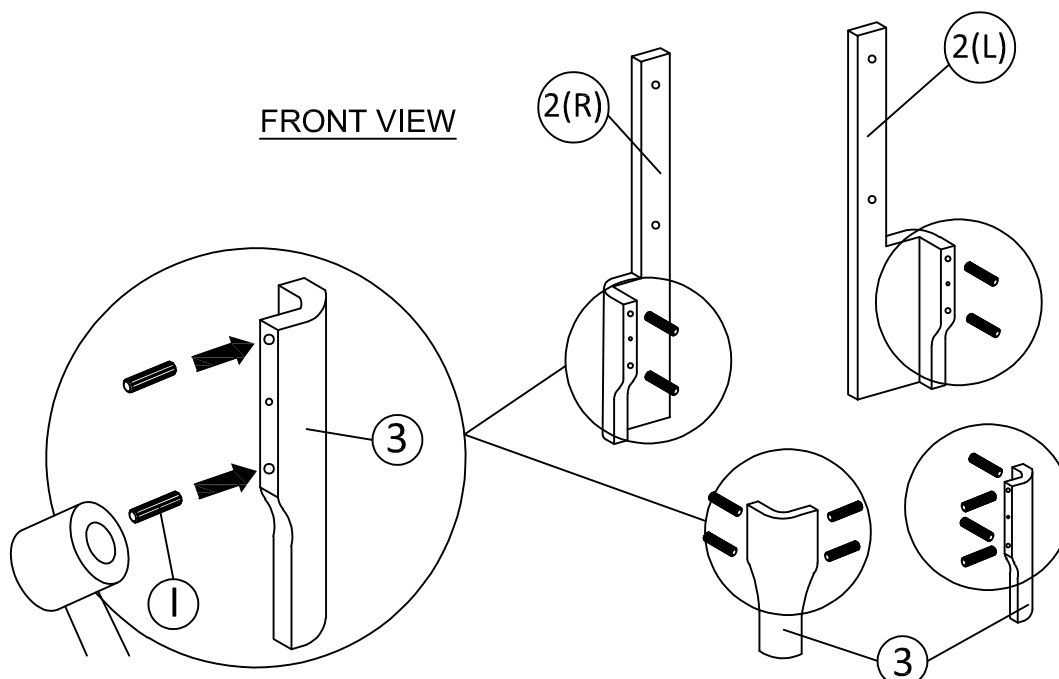
Step 2

Unzip the black non-woven fabric on the back of headboard and take small carton out.



Step 3

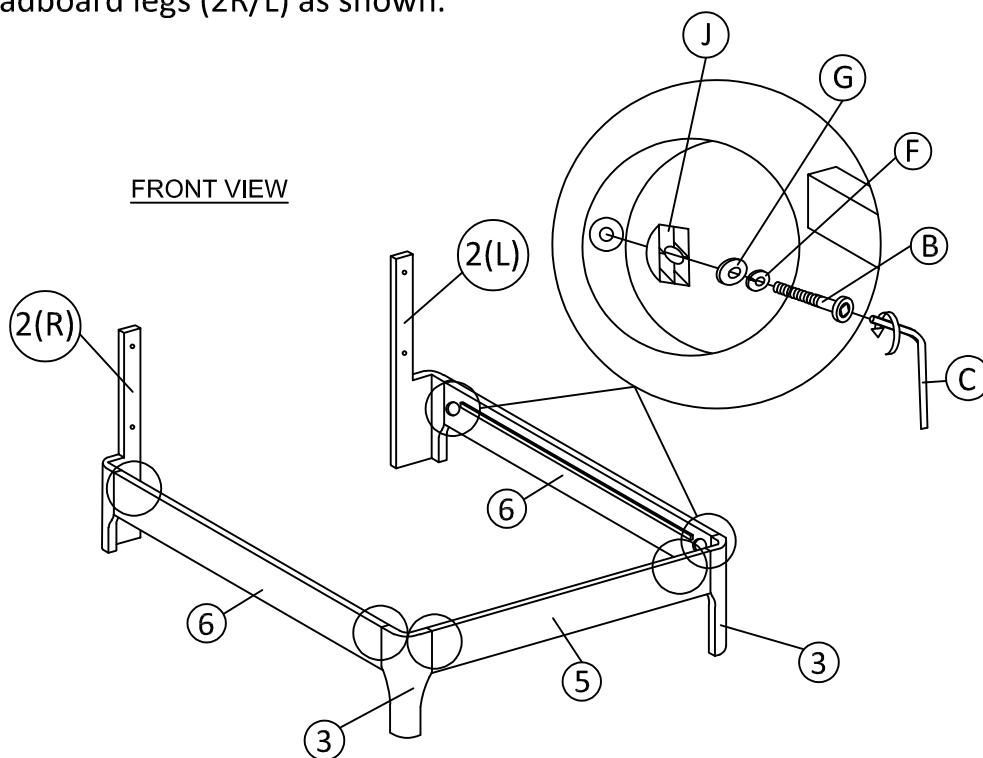
Install the 12 x wood dowel (I) to 2 x headboard leg (2R/L) and 2 x footboard leg (3).



DO NOT use any power tools as this may damage the frame and will invalidate any claim.

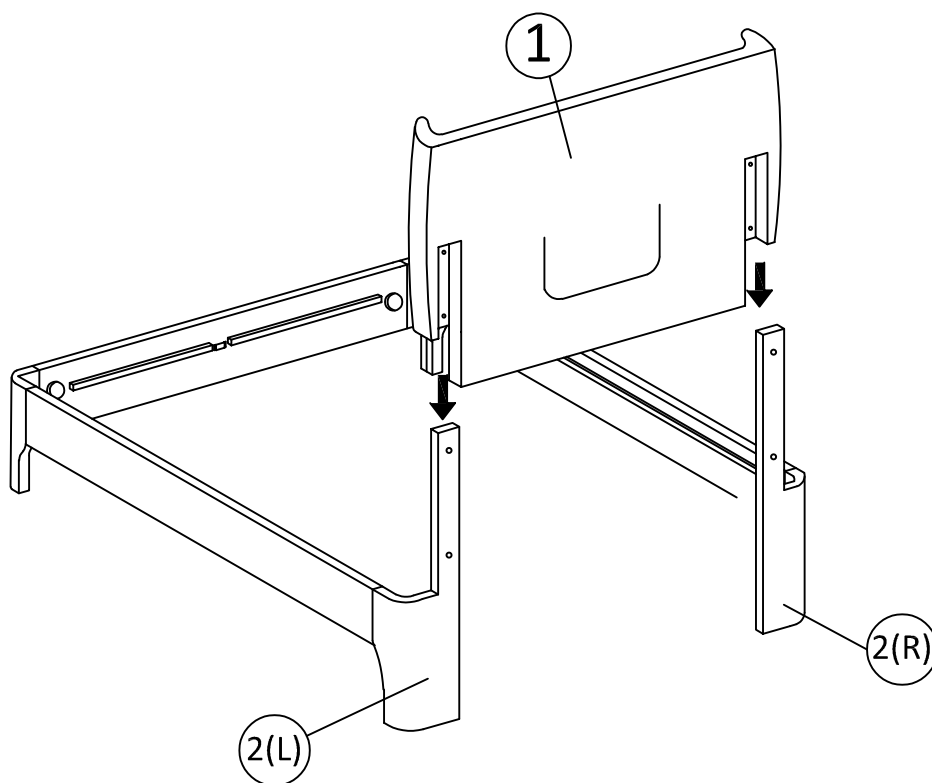
Step 4

Attach 2 x side rail (C) to 1 x footboard (5) with 2 x footboard legs (3) and 2 x headboard legs (2R/L) as shown.



Step 5

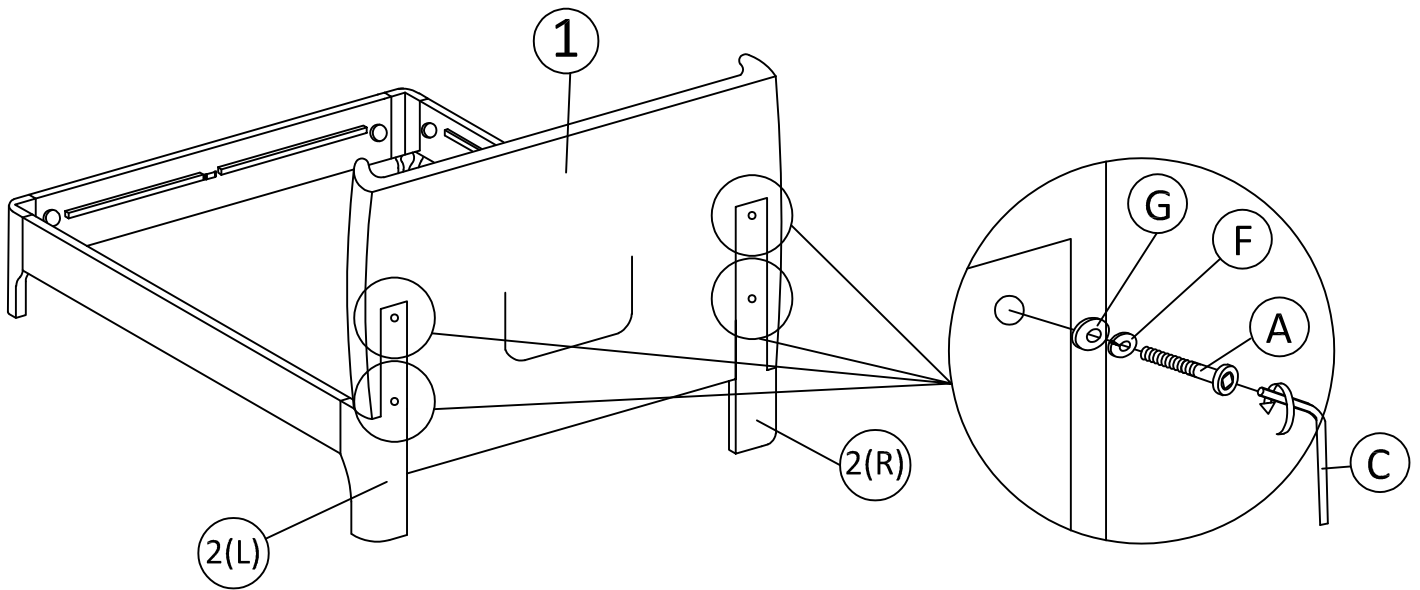
Slot 1 x headboard (1) to the 2 x headboard Legs (2R/L) as shown.



DO NOT use any power tools as this may damage the frame and will invalidate any claim.

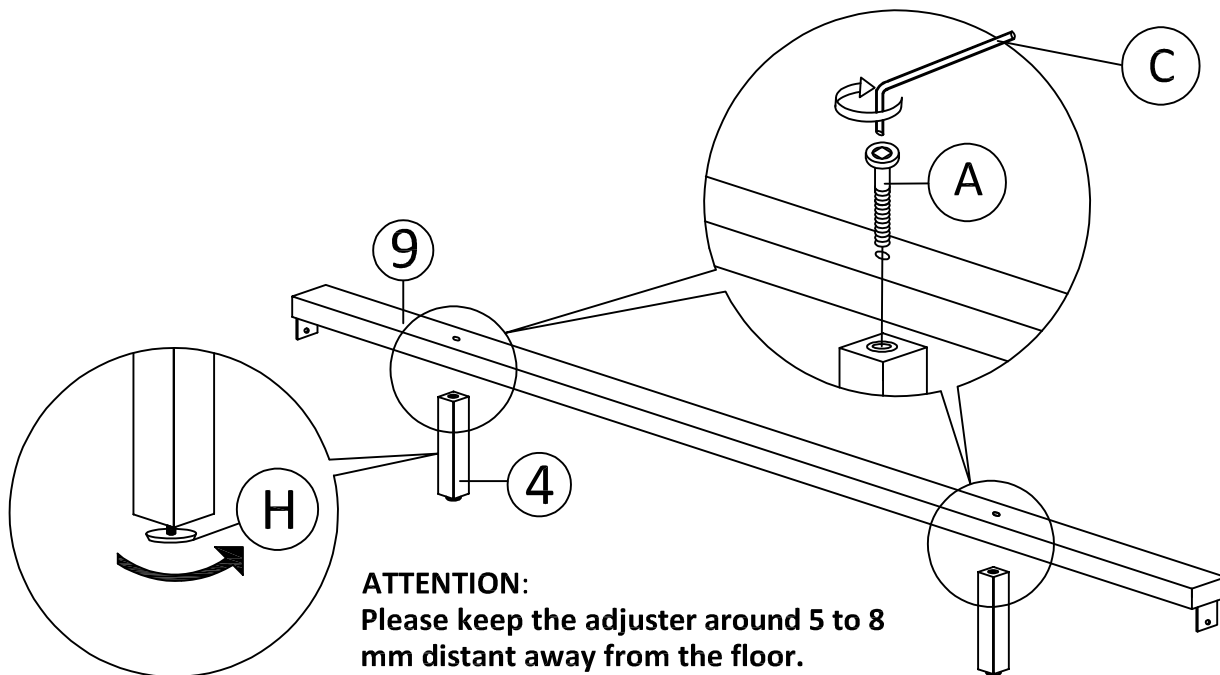
Step 6

Attach 1 x headboard (1) to the 2 x headboard Legs (2R/L) as shown.



Step 7

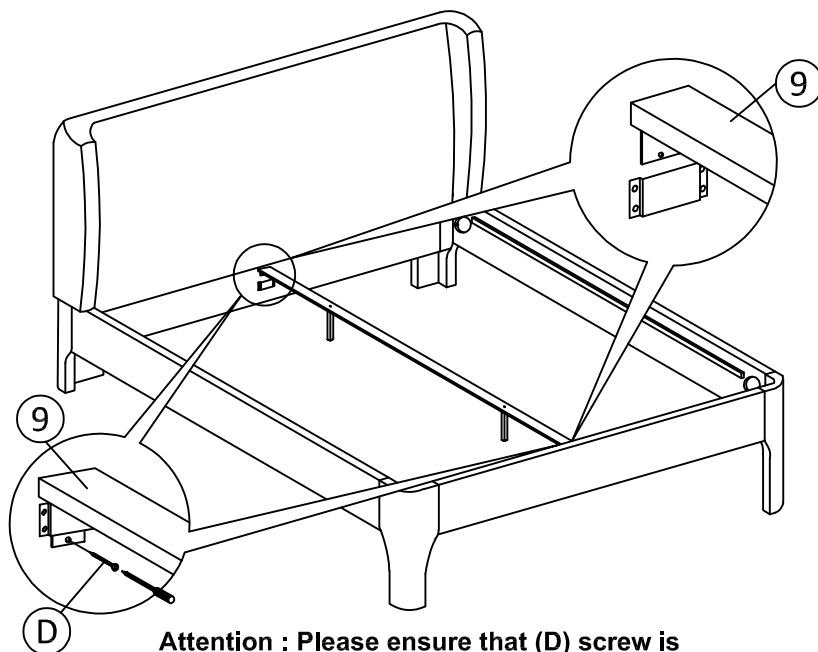
Attach the 2x Support Leg (4) to 1x Centre Rail (9) using 2x M6x40mm JCBC (A) and 1x M4 Allen Key (C). Then screw 2x Adjuster (H) to Support Leg (4).



DO NOT use any power tools as this may damage the frame and will invalidate any claim.

Step 8

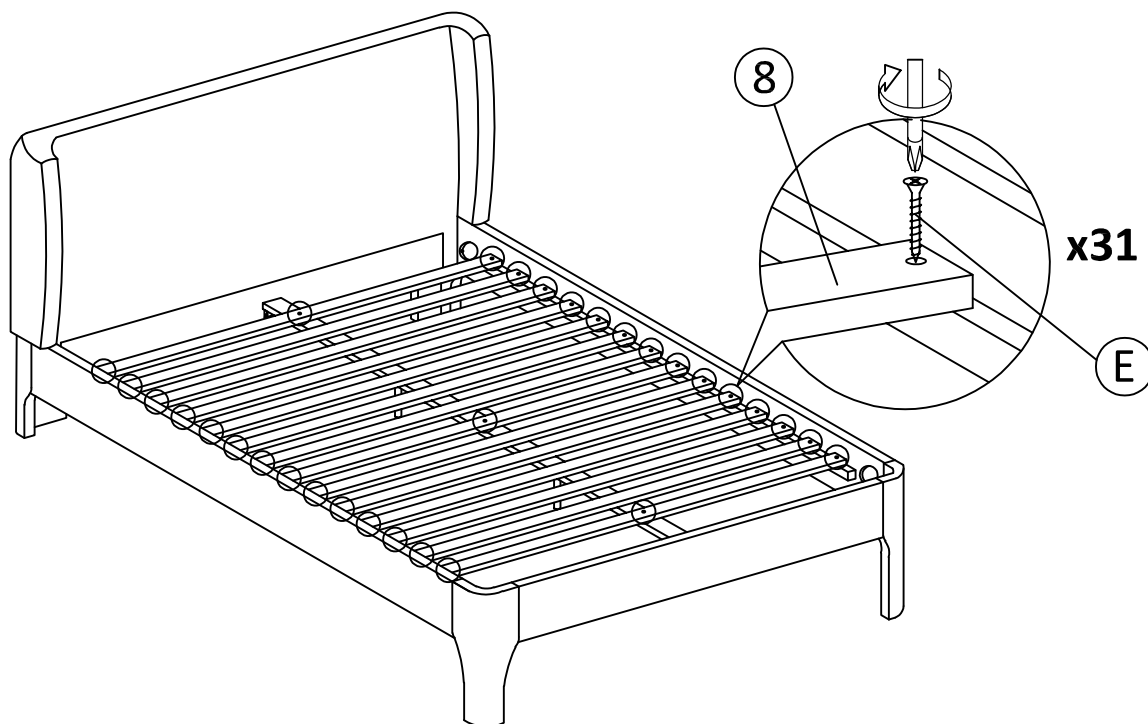
Firstly, Slot the 1x centre rail (6) into the bracket on 1x Headboard (1) and 1x Footboard (2). Then secure using 2x M4x25mm CSK (D) and Screwdriver (Not Provided).



Attention : Please ensure that (D) screw is attached as per the A.I shown to avoid possibility of base collapsing.

Step 9

Affix the 1 x slat (7) to the support wood on 2 x side rail (6) and the 1 x center rail (8).



DO NOT use any power tools as this may damage the frame and will invalidate any claim.

Step 10

Affix the 1 x top slat (9) to the support wood on 1 x footboard (2).

