

# Birlea®

## Assembly Instructions

---

**Thank you for  
purchasing a  
Birlea product**

For a chance to win a Love2Shop voucher simply post a picture of your new product on your preferred social channels tagging Birlea Furniture. One winner will be selected at random each month.

\*Terms & conditions may apply.

---

### **Are you happy with your purchase?**

**Yes:** That's great, we would love to hear more from you. Please leave us a review on our Trustpilot link on the QR code here. Your feedback will be greatly appreciated.



**No:** If for any reason there is something missing, indifferent or incorrect with your order, please contact the retailer that you purchased your item from.

Please note that this items build time is around: 30mins



[www.birlea.com](http://www.birlea.com)

**ASSEMBLY INSTRUCTIONS**  
**AXEL 2 DOOR 1 DRAWER FLUTED WARDROBE**

**IMPORTANT: READ THESE INSTRUCTIONS CAREFULLY BEFORE ASSEMBLING OR USING YOUR AXEL 2 DOOR 1 DRAWER FLUTED WARDROBE**

PLEASE KEEP THESE INSTRUCTIONS FOR FUTURE REFERENCE.

**ASSEMBLY:**

Assembly should be carried out with this item laying flat, not standing upright.

Assemble on a soft, clean surface to prevent damages.

To erase the numbers printed on the pieces, use the rubber inside the accessories pack.

**HEALTH & SAFETY:**

DO NOT use this product if any parts are missing, damaged or worn.

DO NOT use this product unless all fixings are secured.

Always use on a level, even surface.

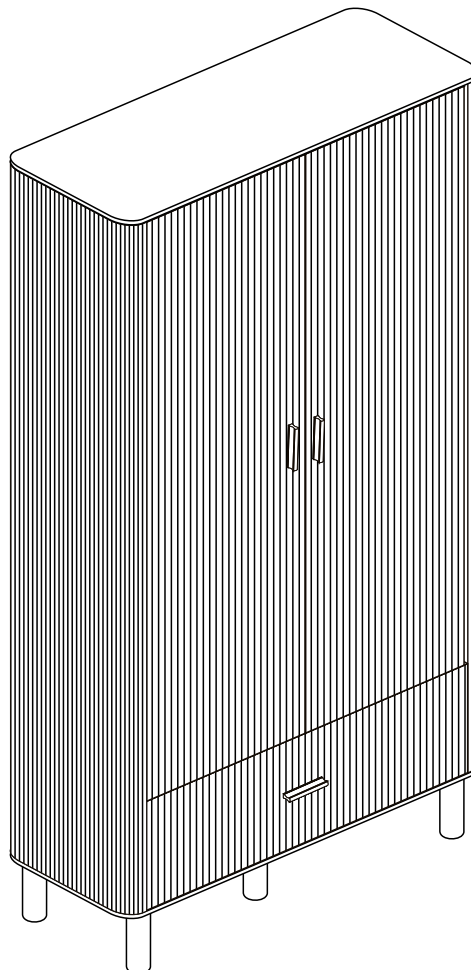
**CARE & MAINTENANCE:**

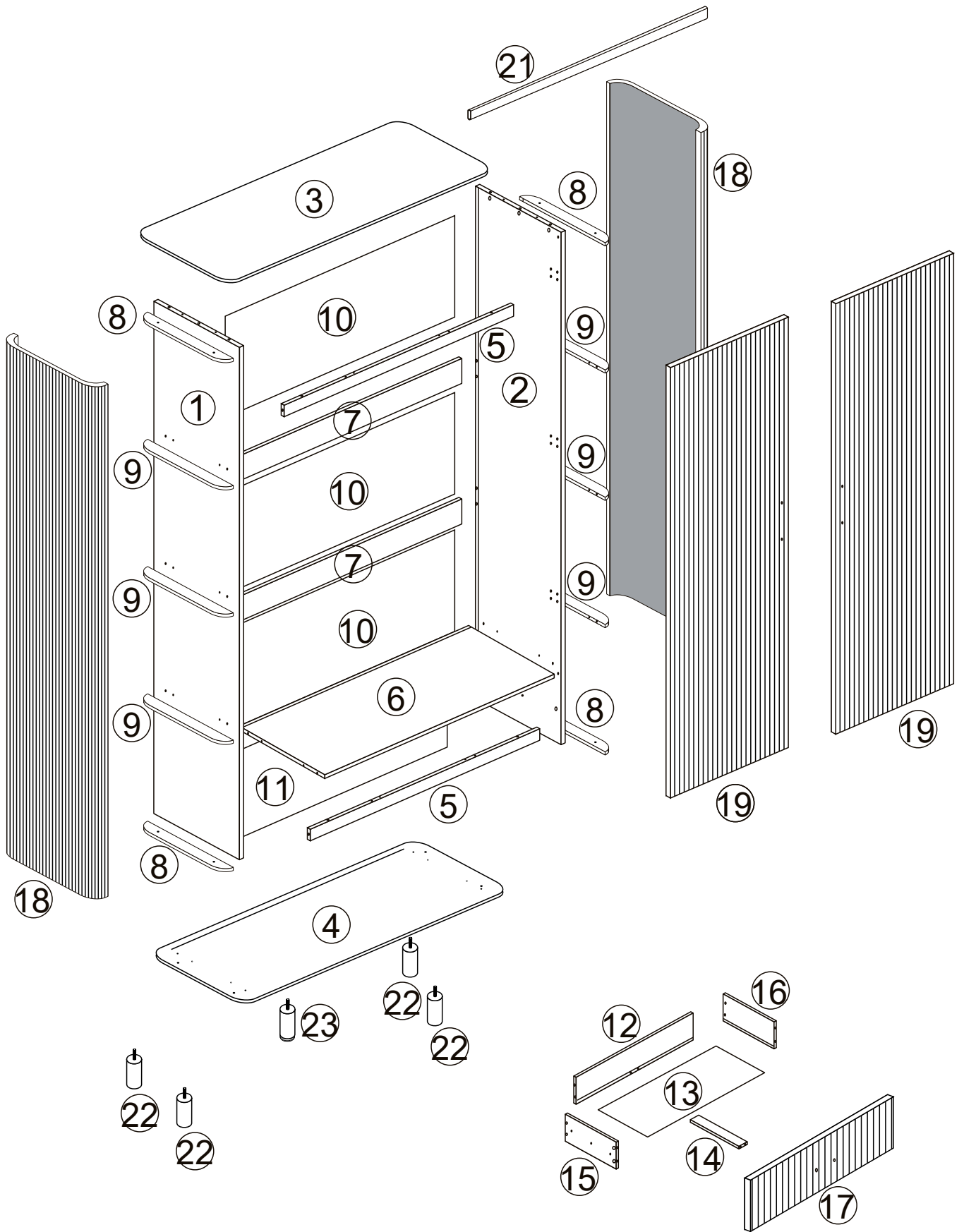
Periodically check all screws & fixings to ensure they are secure.

DO NOT push this product as this will cause damage.

Always lift this product with two people to repositions.

Keep any sharp objects away from this product.





Parts List				Hardware List		
Part	Description	Box	QTY	Part	Description	QTY
1	Side Panel(Left)	1	1	A	Cam Bolt 	39
2	Side Panel(Right)	1	1	B	Cam Lock 	39
3	Top Panel	2	1	C	Wooden Dowel 	29
4	Bottom Panel	2	1	D	Screw 	6
5	Support Rail	2	2	E	Handle Set 	3
6	Middle Divider	2	1	F	Screw 	8
7	Back Rail	2	2	G	Screw 	12
8	Support Rail	2	4	H	Foot Pad 	4
9	Support Rail	2	6	I	Plastic Wedge Set 	16
10	Back Panel	2	3	J	Screw 	6
11	Back Panel	2	1	K	Sticker 	10
12	Drawer Back Panel	2	1	L	Allen Key 	1
13	Drawer Bottom Panel	2	1	M	Washer 	2
14	Drawer Support Rail	2	1	N	Safe Strap 	2
15	Drawer Side(Left)	2	1	O	Rail 	2
16	Drawer Side(Right)	2	1	P	Rail 	2
17	Drawer Front Panel	2	1	Q	Screw 	6
18	Side Frame Panel	1	2	R	Metal Sheet 	1
19	Door Panel	1	2	T	Screw 	8
21	Hanging Rail	2	1	U	Screw 	40
22	Wood Leg	2	4	V	Tube Bracket 	2
23	Middle Wood Leg	2	1	W	Hinges 	6

**\*\* You will need a small mallet and a screwdriver for assembly.**

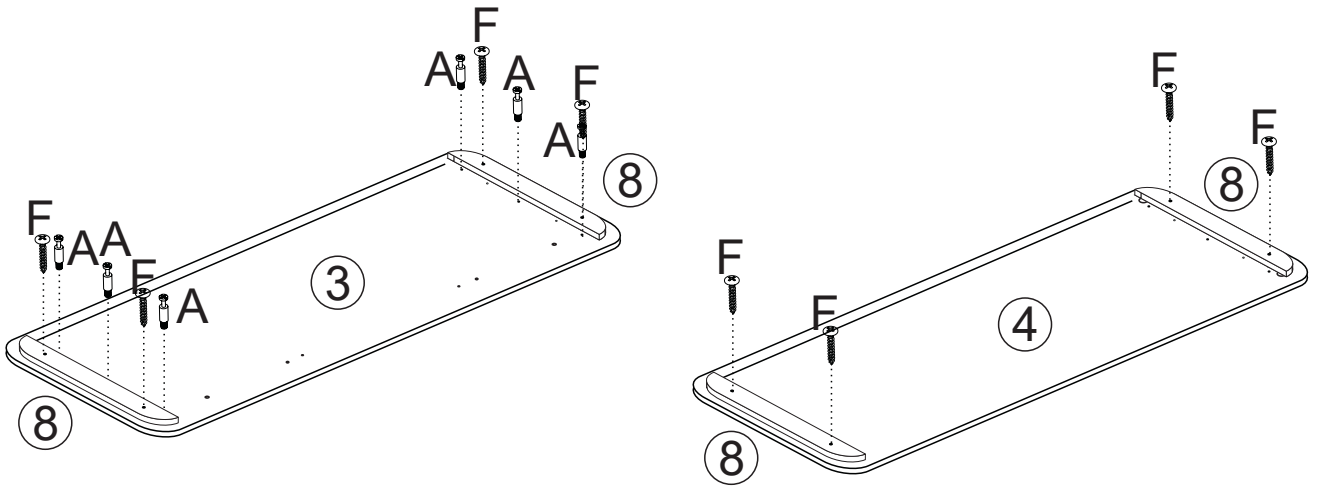
**\*\* Some screws and wooden dowel may remain.**

**\*\* Note : To secure the item to the wall.**

**STEP 1:** Connect panel(8) with bottom panel(4) by hardware (F);  
 Connect panel(8) with top panel(3) by hardware (F);  
 Attach the hardware (A) to the top panel (3).

**DO NOT use any power tools as this may damage the frame and will invalidate any claim.**

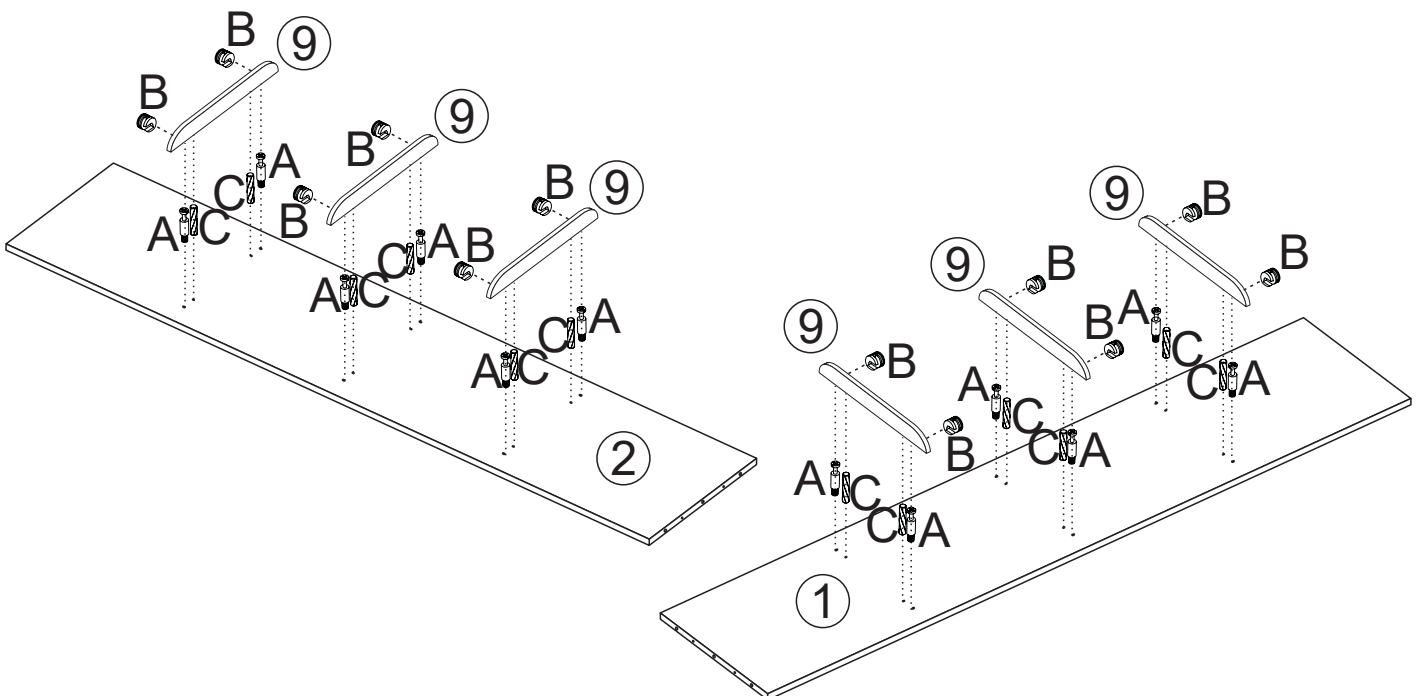
AX6
FX8



**STEP 2:** Connect panel(9) with side panel(1),(2) by hardware (A,B,C);

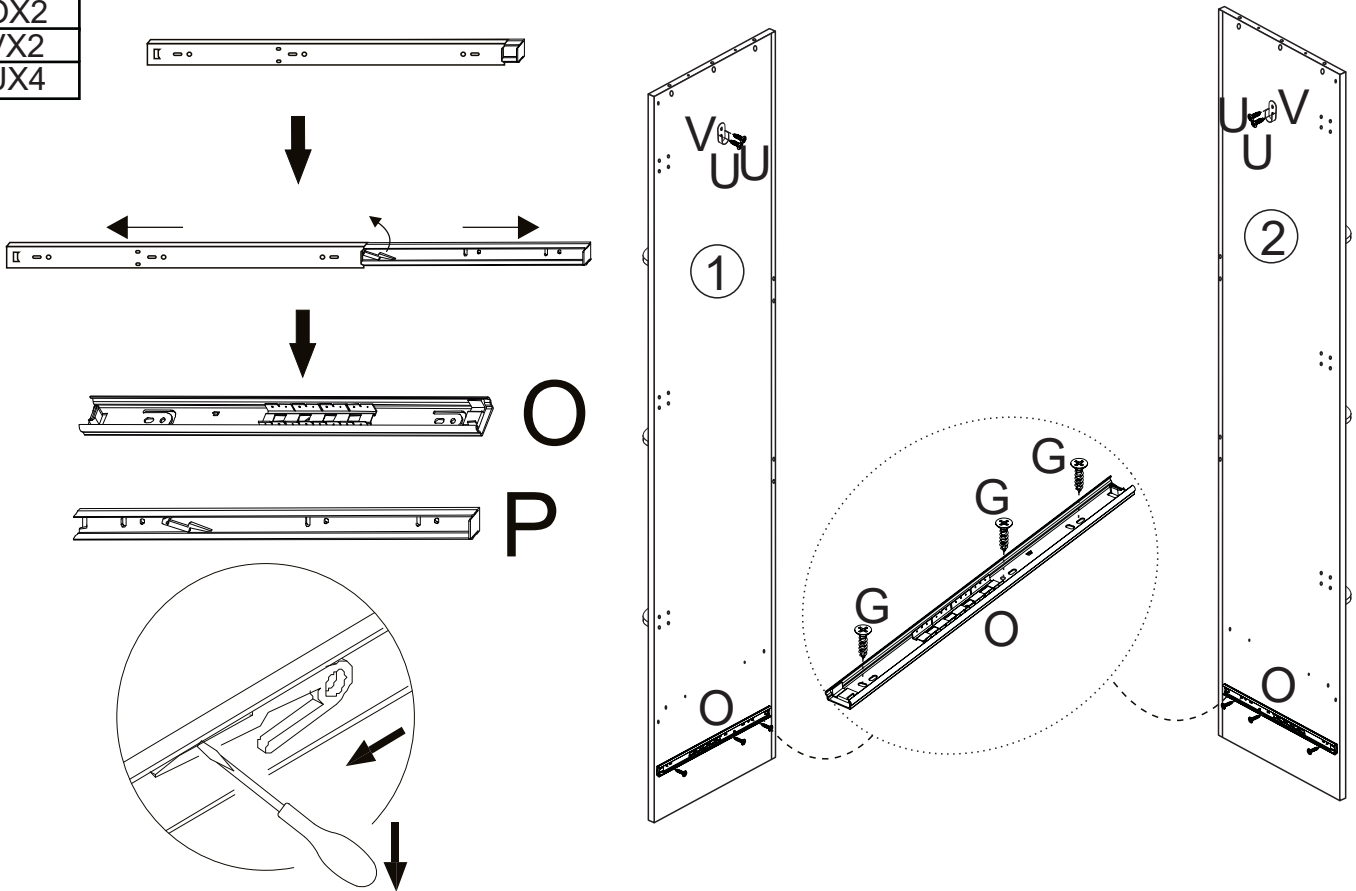
**DO NOT use any power tools as this may damage the frame and will invalidate any claim.**

AX12
BX12
CX12



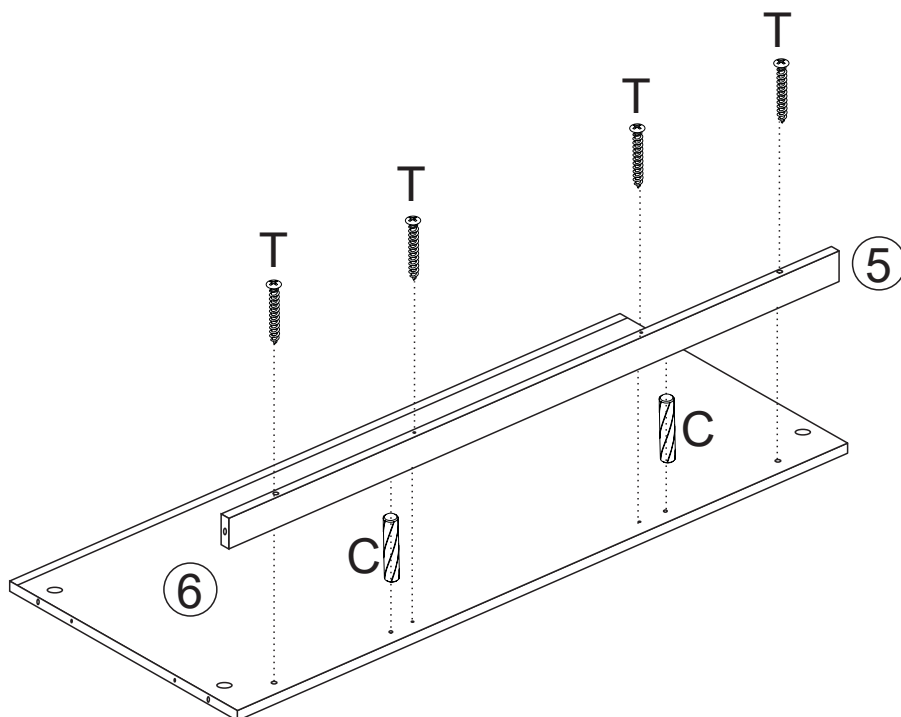
**STEP 3:** Open the expansion track as shown in the diagram below;  
 Then assemble the runner(O) to side panel (1),(2) by hardware (G,O);  
 Fixed the tube bracket(V) to panel (1),(2) by hardware (U).  
**DO NOT use any power tools as this may damage the frame and will invalidate any claim.**

GX6
OX2
VX2
UX4



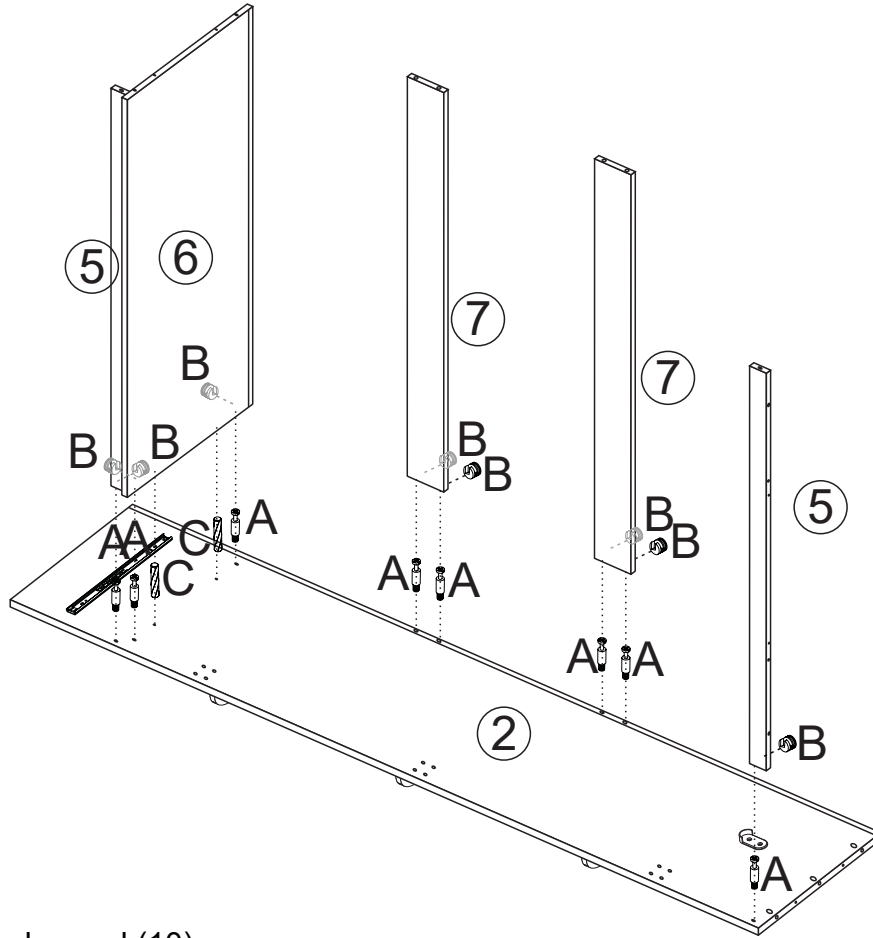
**STEP 4:** Attach the support bar (5) to middle divider (6) by hardware (C,T).  
**DO NOT use any power tools as this may damage the frame and will invalidate any claim.**

CX2
TX4

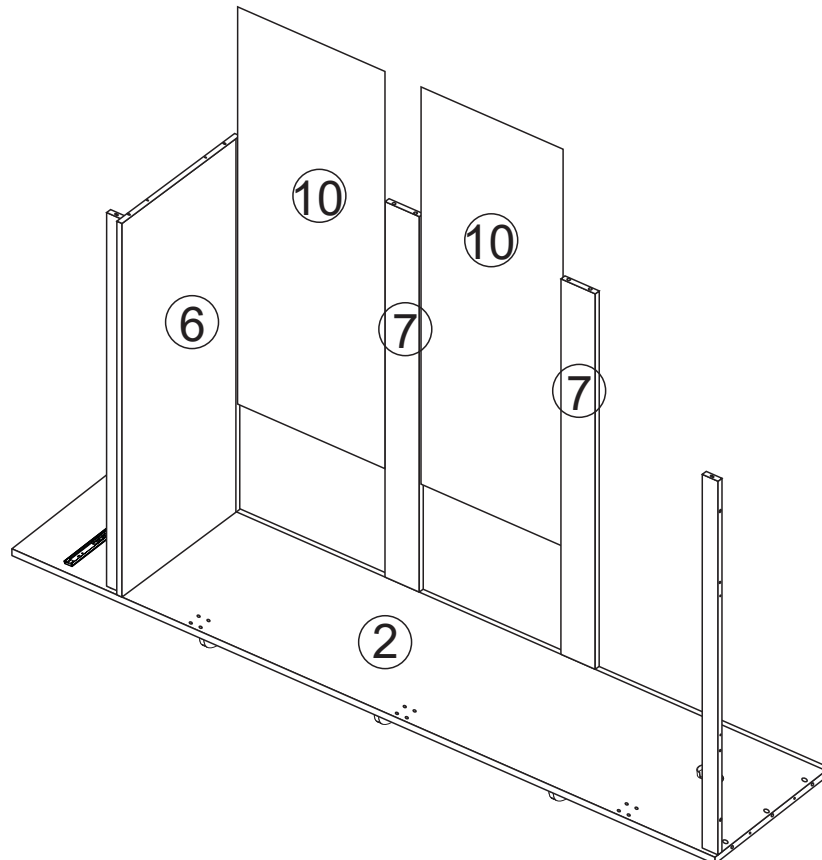


**STEP 5:** Attach the support bar (5), middle divider (6), back rail (7) with side panel (2) by hardware (A,B,C).  
**DO NOT use any power tools as this may damage the frame and will invalidate any claim.**

AX8
BX8
CX2



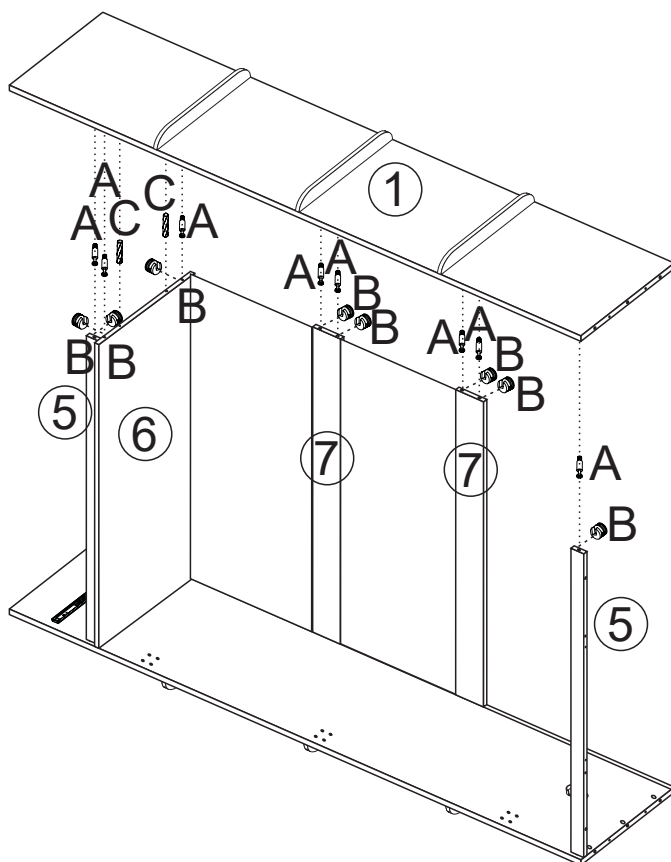
**STEP 6:** Insert two back panel (10).  
**DO NOT use any power tools as this may damage the frame and will invalidate any claim.**



**STEP 7:** Attach the left side panel (1) with the chest frame by hardware (A,B,C).

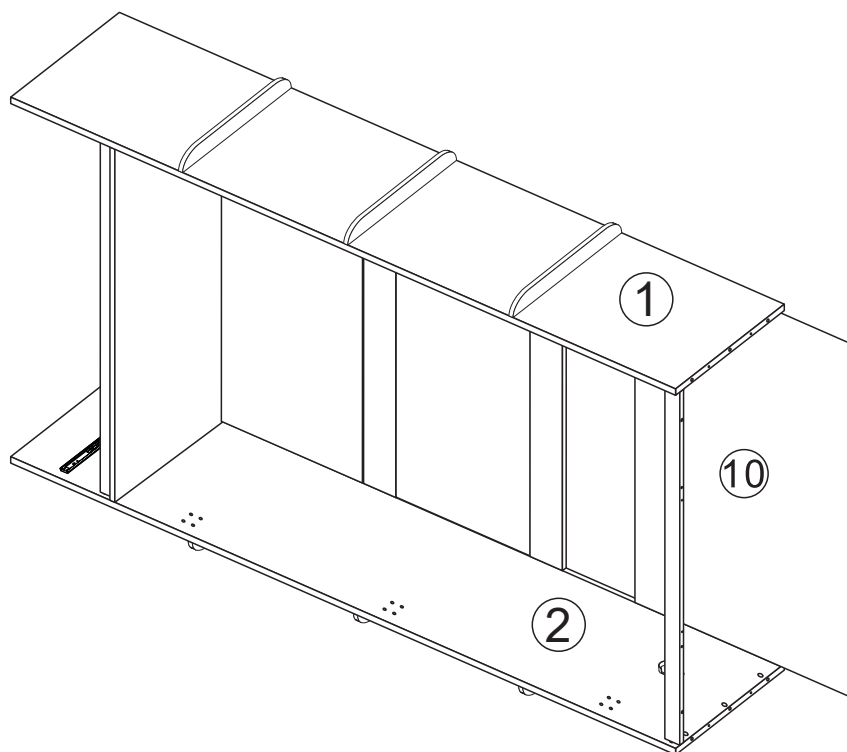
**DO NOT** use any power tools as this may damage the frame and will invalidate any claim.

AX8
BX8
CX2



**STEP 8:** Insert the back panel (10).

**DO NOT** use any power tools as this may damage the frame and will invalidate any claim.

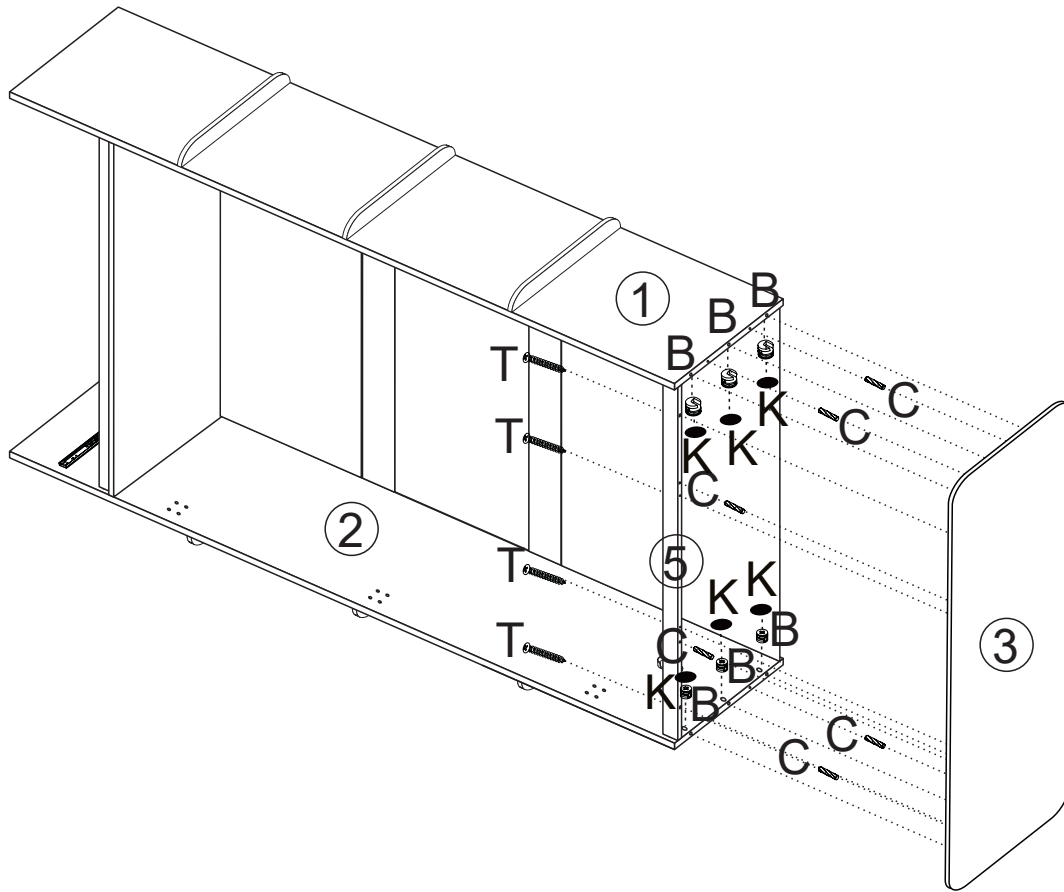




**STEP 9:** Attach the top panel (3) with frame by hardware (B,C,K,T).

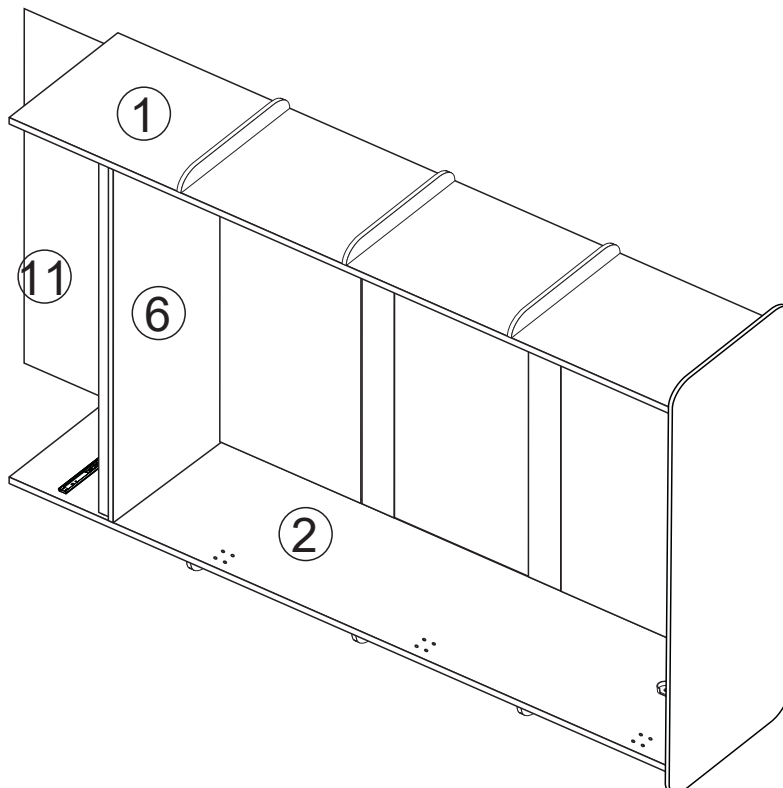
**DO NOT use any power tools as this may damage the frame and will invalidate any claim.**

BX6
CX6
TX4
KX6



**STEP 10:** Insert the back panel (11).

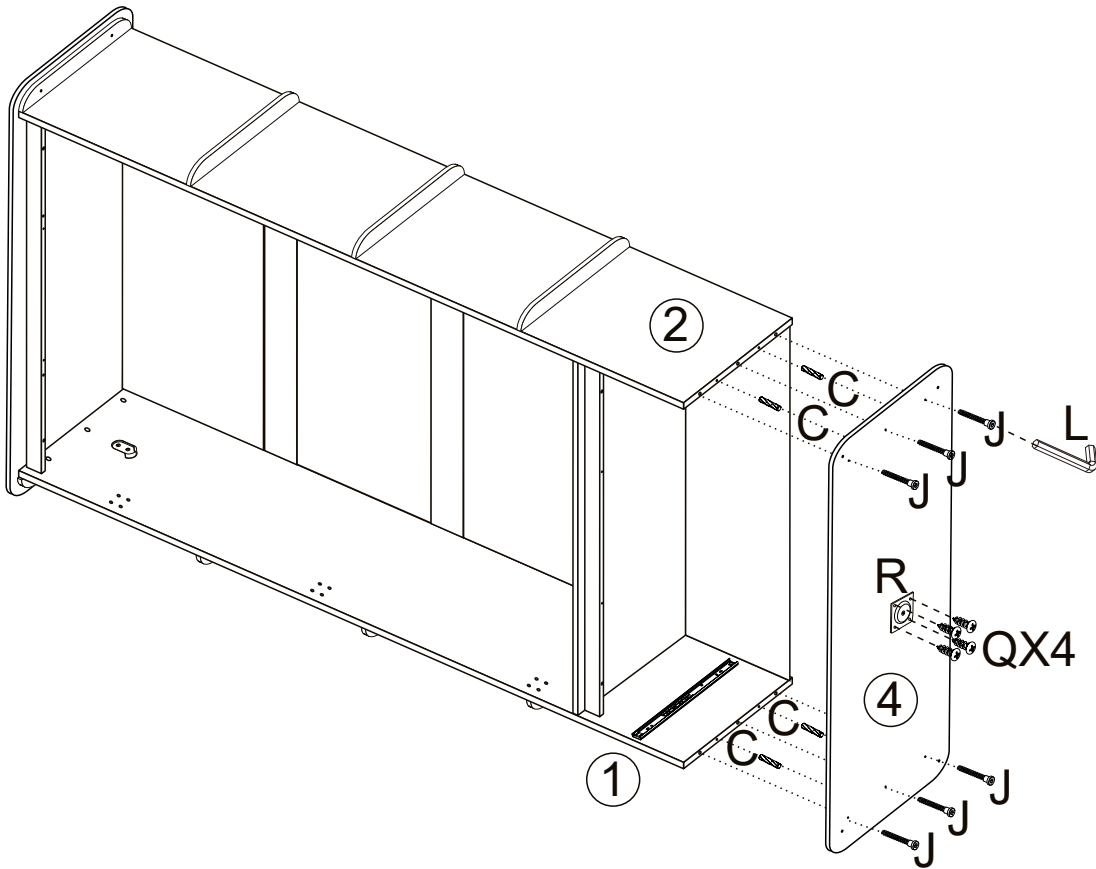
**DO NOT use any power tools as this may damage the frame and will invalidate any claim.**



**STEP 11:** Insert the bottom panel (4) with frame by hardware (C,L,J); Then, attach the hardware (R) on the bottom panel (4) by hardware (Q).

**DO NOT use any power tools as this may damage the frame and will invalidate any claim.**

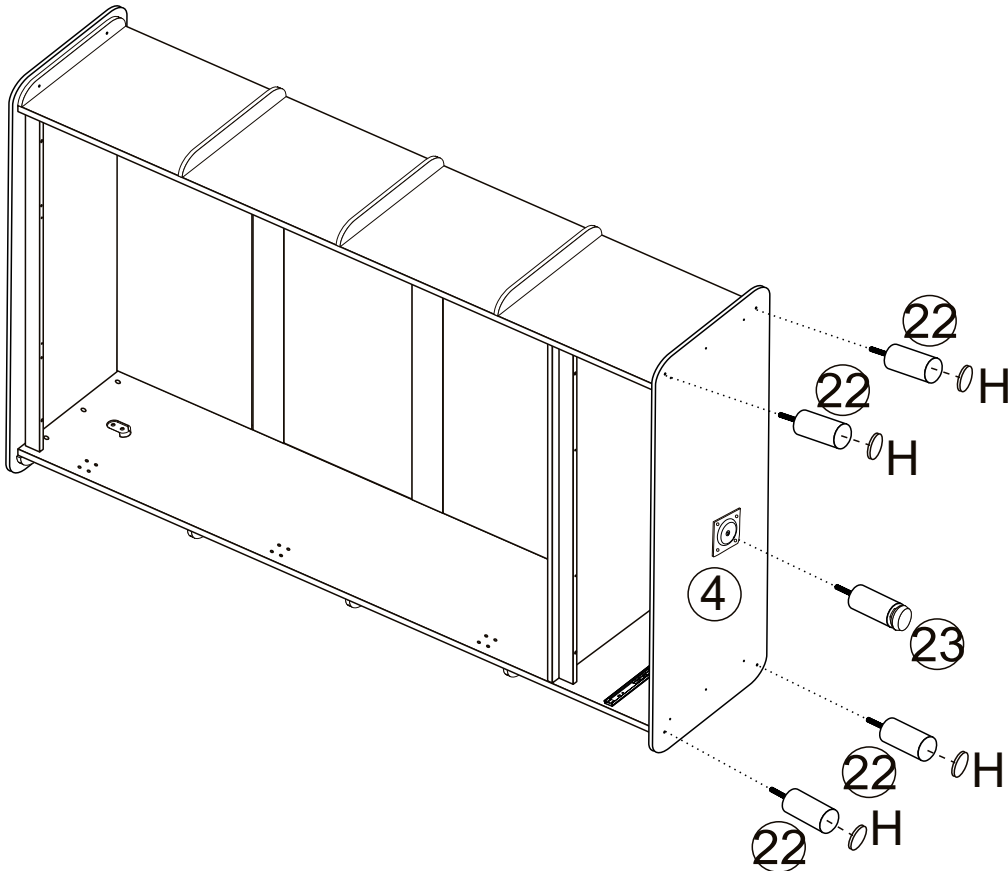
CX4
LX1
JX6
QX4
RX1



**STEP 12:** Insert the leg (22), (23); Then, attach the foot pad (H).

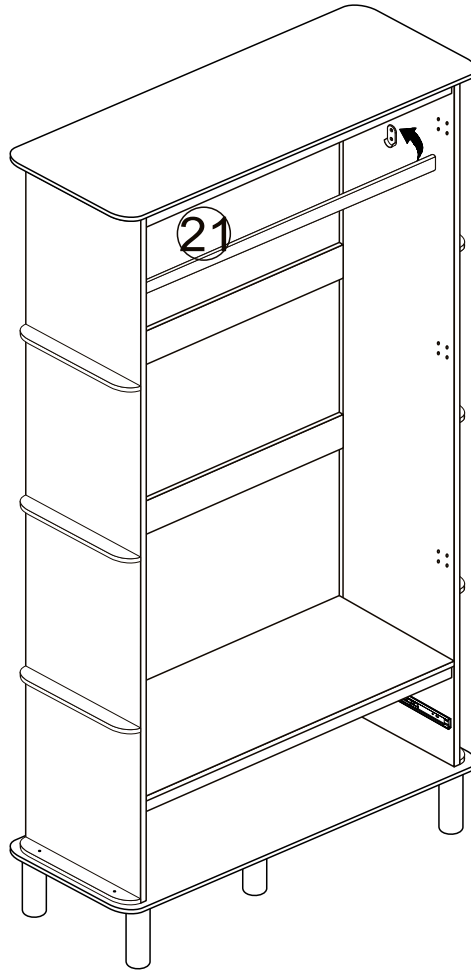
**DO NOT use any power tools as this may damage the frame and will invalidate any claim.**

HX4
-----



**STEP 13:** Attach the hanging (21).

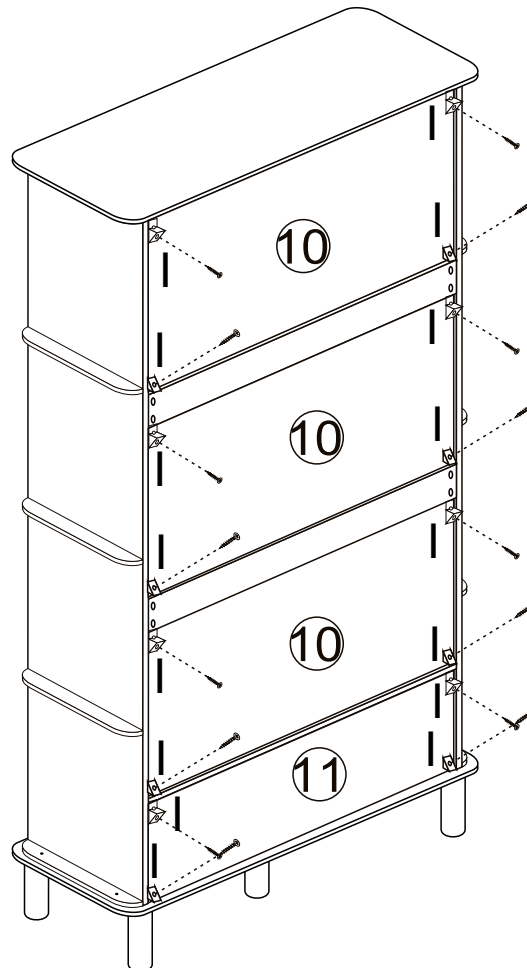
**DO NOT use any power tools as this may damage the frame and will invalidate any claim.**



**STEP 14:** Attach the hardware (I) on the back.

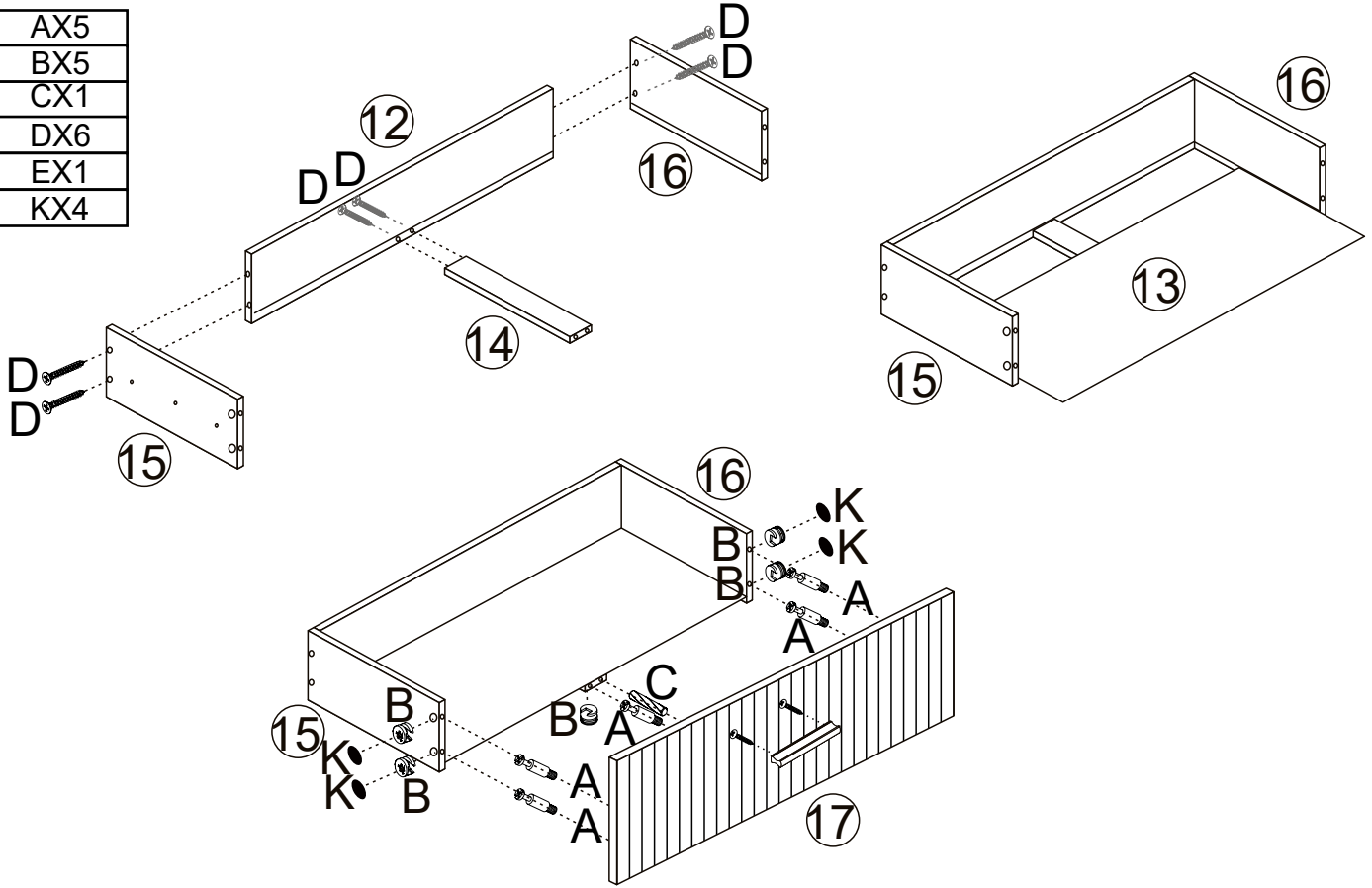
**DO NOT use any power tools as this may damage the frame and will invalidate any claim.**

IX16



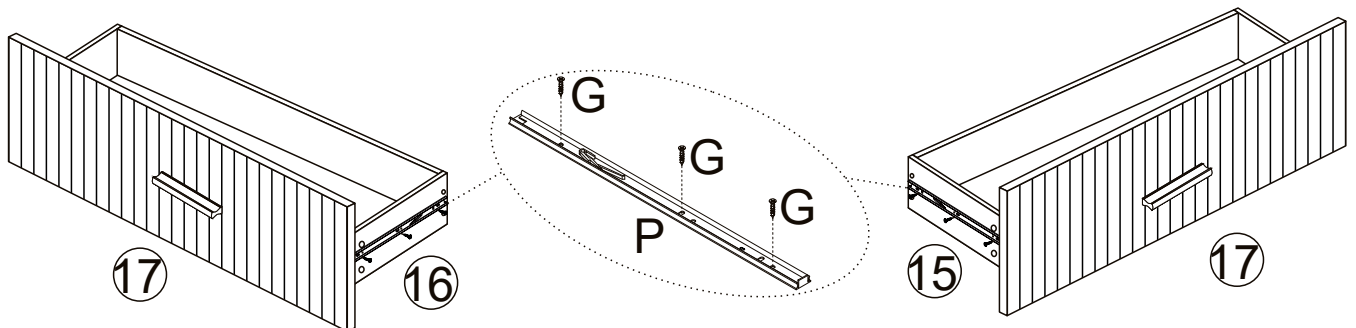
**STEP 15 :** Attach drawer back panel(12) to drawer side panel(15),(16), drawer support rail(14) using hardware (D);Attach the bottom panel(13) before assembly the drawer front panel(17); Attach the drawer front panel(17) by hardware (A,B,C,K);and then,assemble the handle(E); **DO NOT use any power tools as this may damage the frame and will invalidate any claim.**

AX5
BX5
CX1
DX6
EX1
KX4

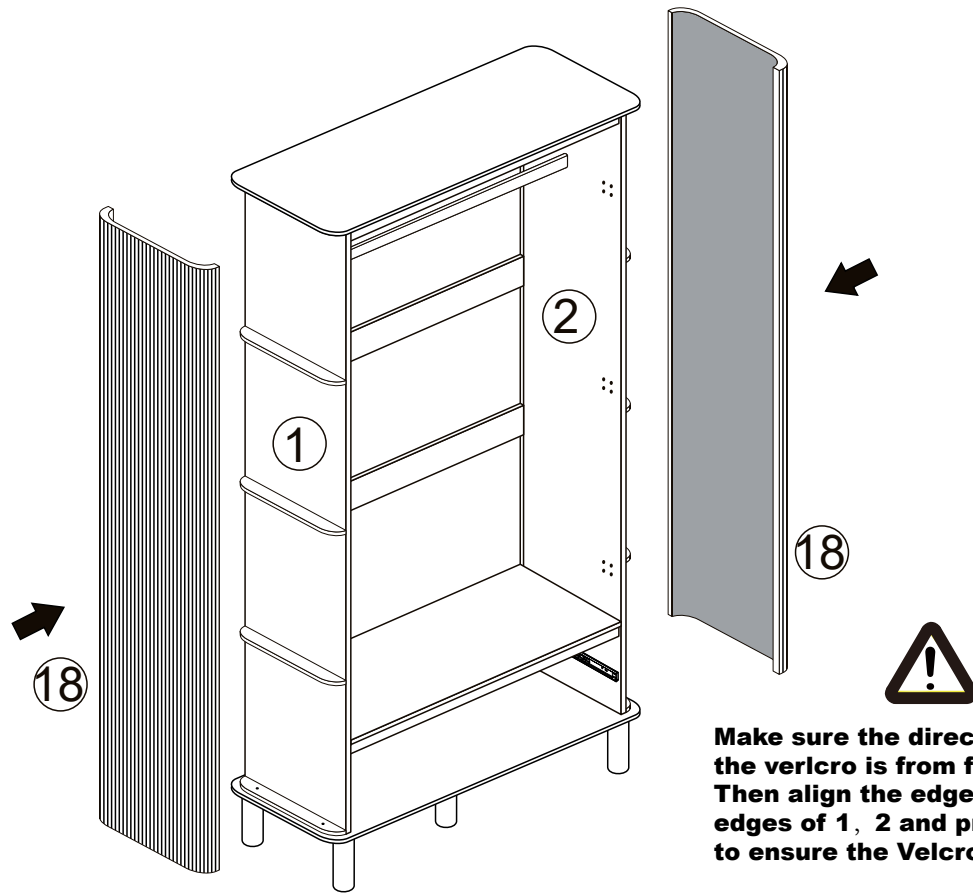


**STEP 16:** Attach the rail(P) on left&right side panel(15),(16) by hardware (G); **DO NOT use any power tools as this may damage the frame and will invalidate any claim.**

PX2
GX6



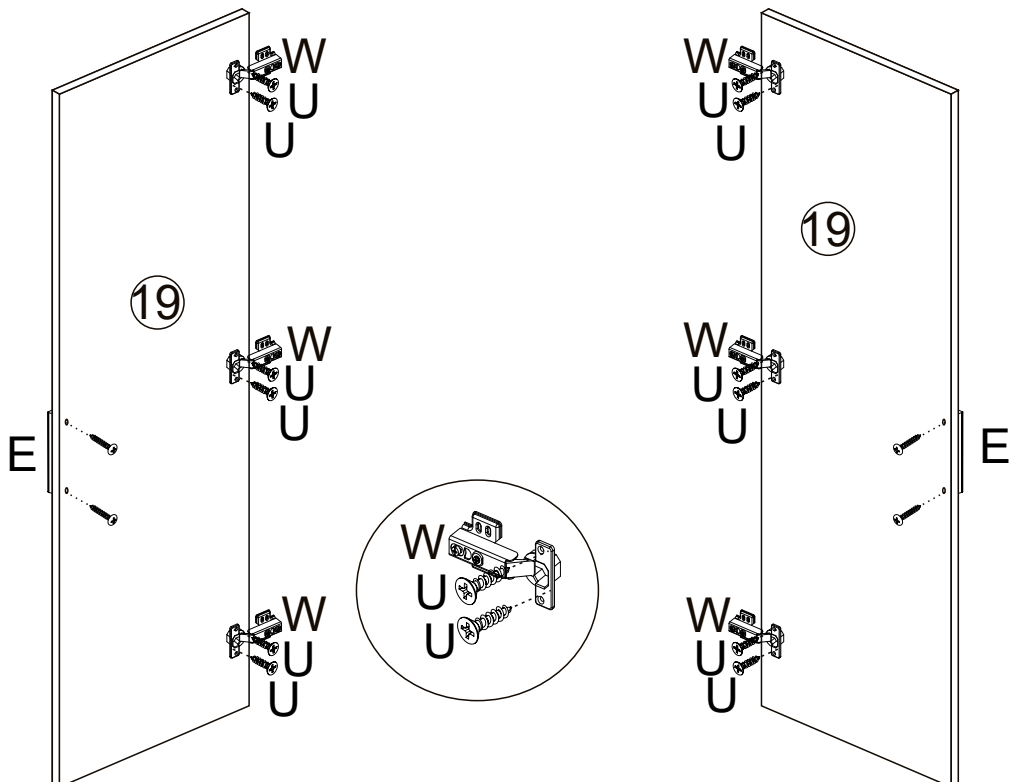
**STEP 17:** Attach the side frame panel(18)and then press to make sure the velcro is sticking.  
**DO NOT use any power tools as this may damage the frame and will invalidate any claim.**



**Make sure the direction of pasting the velcro is from front to back. Then align the edge of 18 with the edges of 1, 2 and press by hand to ensure the Velcro is tight.**

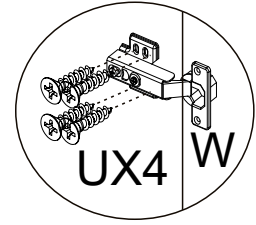
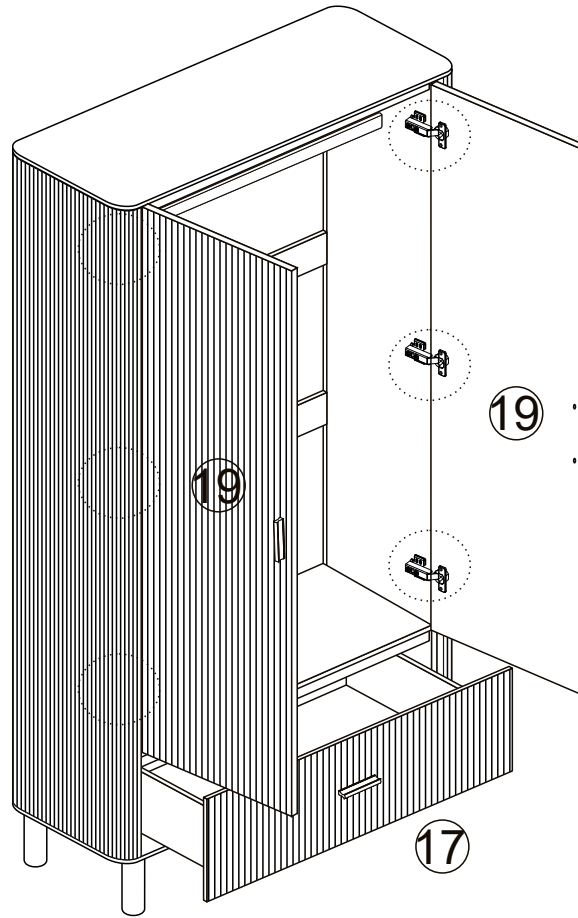
**STEP 18:** Attach hardware (W) on door(19) by hardware (U);  
 Then, attach the handle (E).  
**DO NOT use any power tools as this may damage the frame and will invalidate any claim.**

EX2
UX12
WX6



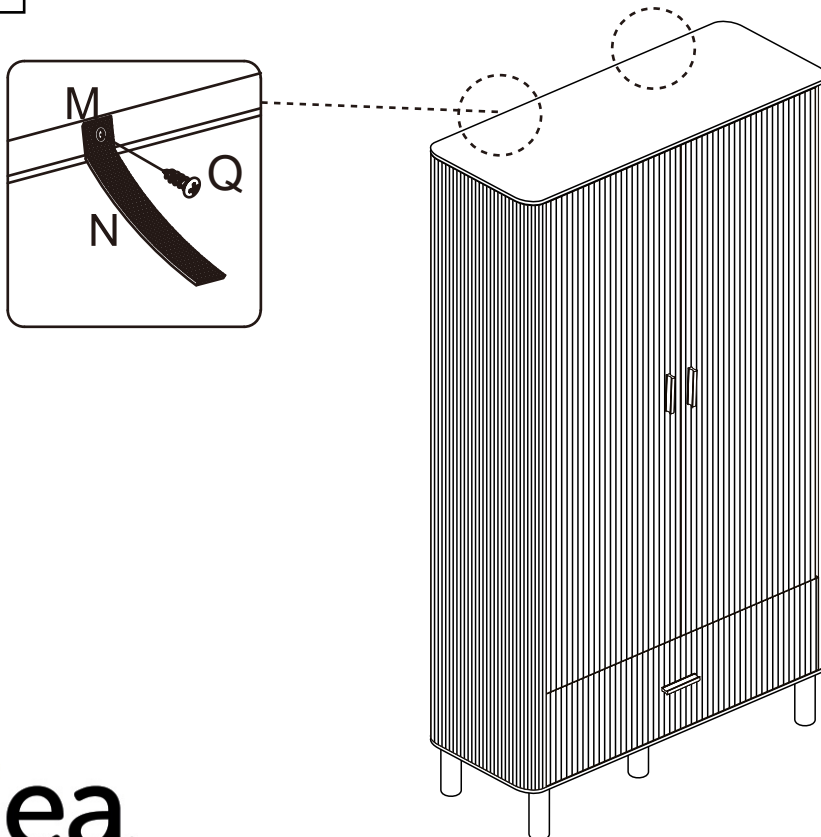
**STEP 19:** Attach the door(19) to side panels(1),(2) by hardware (U);  
**DO NOT** use any power tools as this may damage the frame and will invalidate any claim.

UX24



**STEP 20:** Secure the safty strap(N) by hardware F,M.  
**DO NOT** use any power tools as this may damage the frame and will invalidate any claim.

QX2
MX2
NX2





## WARNING!

In order to prevent overturning this product must be used with the wall attachment device provided. Serious or fatal crushing injuries can occur from furniture tipping over. To help prevent toppling over:-

- Use the wall attachment devices provided
- Never allow children to climb or hang on drawers or doors
- Do not overload the drawer beyond maximum recommended loading
- Place heaviest items in the lower drawers or shelves
- Unless specifically designed to accommodate, do not set TV's or other heavy objects on top of this product
- Never open more than one drawer at a time
- Do not hang things from the doors

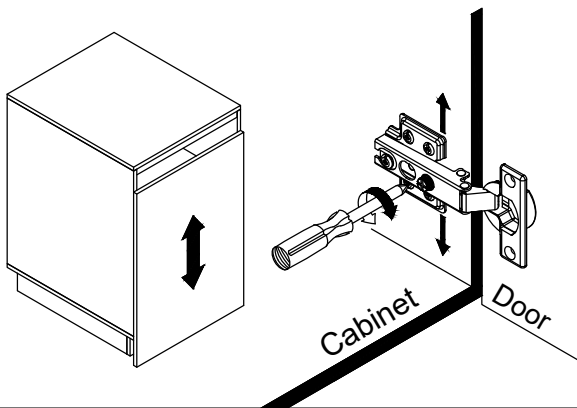
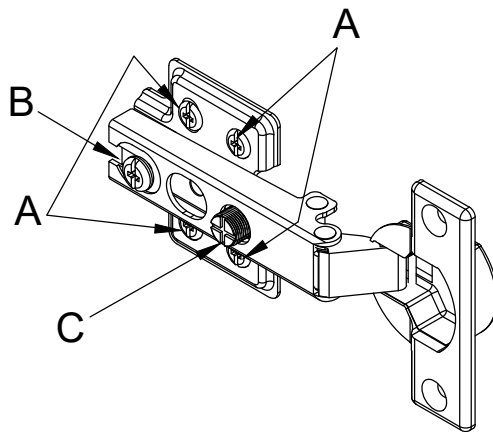
An attachment device is provided with your product, however you will need to source suitable fixings for your wall type. If in doubt consult a qualified trades person.

Always ensure that the wall to be drilled into is free from hidden electrical wire, water and gas pipe.

Birlea Furniture advise that the wall straps provided should be used to further enhance the safety of this product.

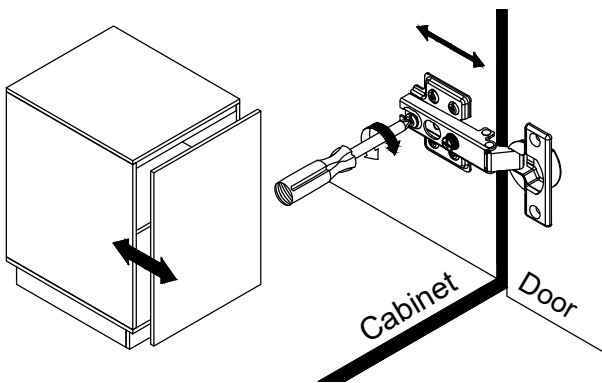
### **Additional Information:**

- For complete product information, images and dimension diagrams please visit the website [www.birlea.com](http://www.birlea.com)
- If you have any issues with your item please contact the retailer directly you purchased it from who will be able to resolve any issues with Birlea.
- Why don't you send us photos of your assembled furniture to [info@birlea.com](mailto:info@birlea.com) to be shared in our #birleahome feature on instagram.



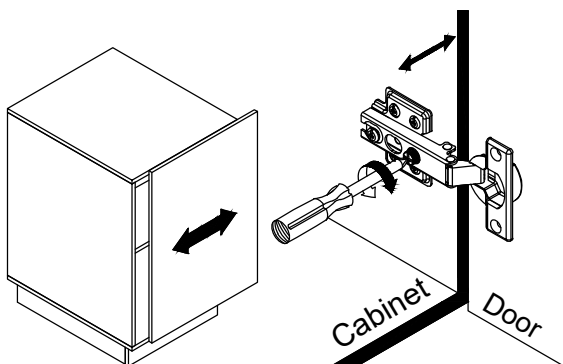
**To adjust the vertical height.**

Loosen the four screws "A" on both hinges. Two of them are usually in slotted holes which allows you to adjust up or down by a few mm. Then tighten back up.



**To adjust depth.**

Loosen screw "B" and adjust door, if the door can not be adjusted, please loosen screw "C", then try again. Tighten screw "B" and "C".



**To adjust side ways.**

Turning the screw "C" on BOTH hinges on each door.