

# Birlea®

## Assembly Instructions

---

Thank you for  
purchasing a  
Birlea product

For a chance to win a Love2Shop voucher simply post a picture of your new product on your preferred social channels tagging Birlea Furniture. One winner will be selected at random each month.

\*Terms & conditions may apply.

---

### Are you happy with your purchase?

**Yes:** That's great, we would love to hear more from you. Please leave us a review on our Trustpilot link on the QR code here. Your feedback will be greatly appreciated.



**No:** If for any reason there is something missing, indifferent or incorrect with your order, please contact the retailer that you purchased your item from.

Please note that this items build time is around 30 minutes with 1 man build



[www.birlea.com](http://www.birlea.com)

## ASSEMBLY INSTRUCTIONS NOAH 1 DRAWER BEDSIDE

**IMPORTANT: READ THESE INSTRUCTIONS CAREFULLY BEFORE ASSEMBLING OR USING YOUR NOAH 1 DRAWER BEDSIDE.**

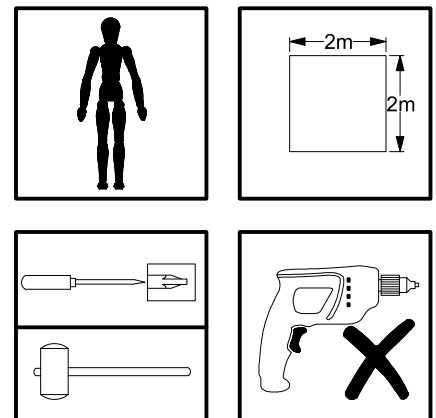
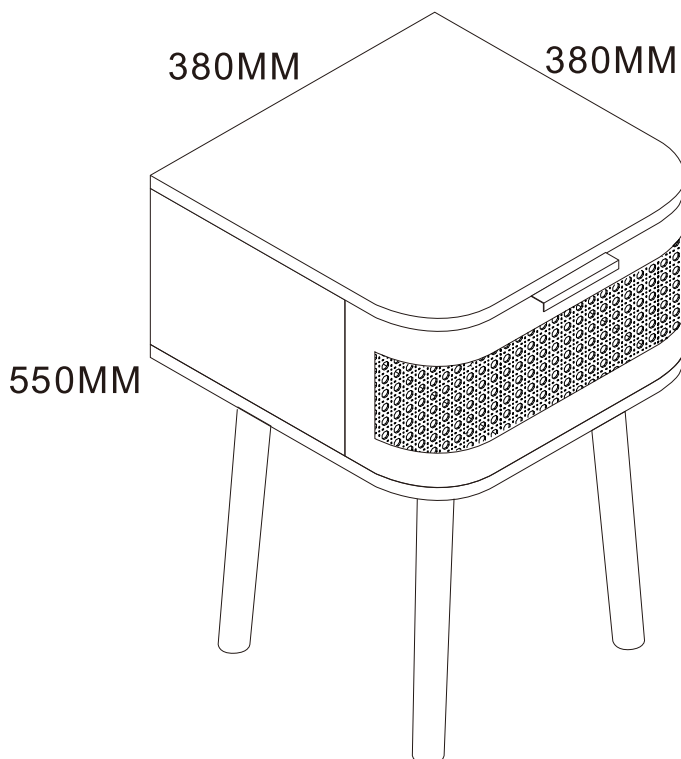
**PLEASE KEEP THESE INSTRUCTIONS FOR FUTURE REFERENCE.**

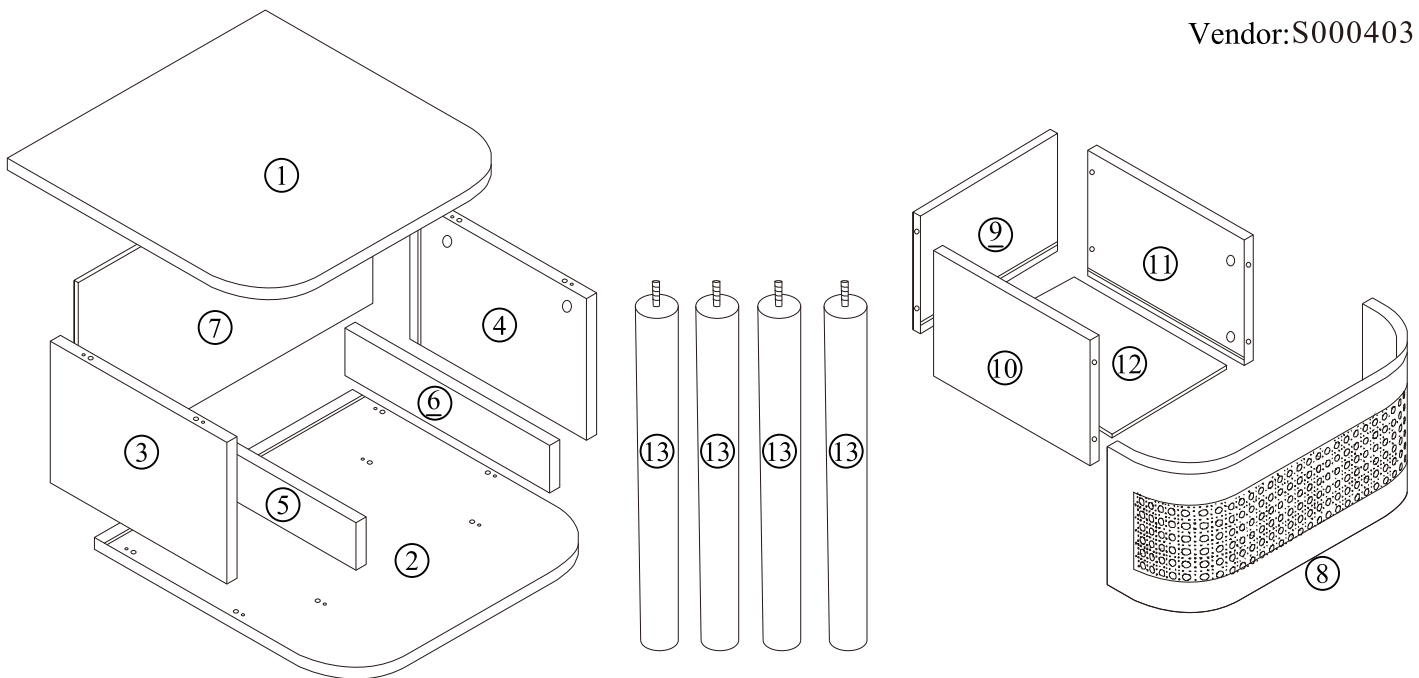
### **HEALTH & SAFETY:**

DO NOT use this item if any parts are missing, damaged or worn.  
DO NOT use this item unless all fixings are secured.  
Please keep small parts out of reach of children.  
Always use on a level, even surface.

### **CARE & MAINTENANCE:**

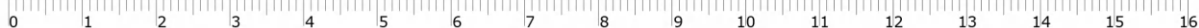
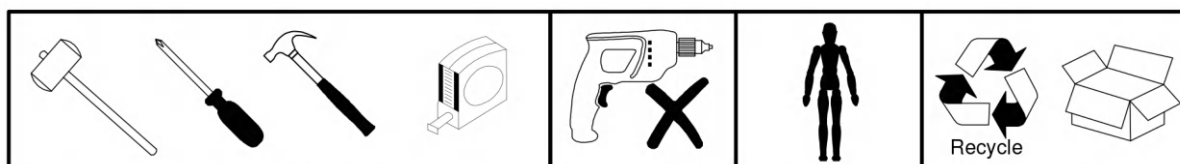
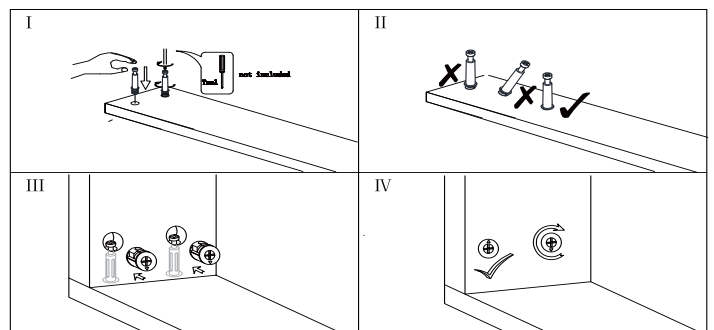
Assemble in the room of use.  
Assembly should be carried out with this item laying flat, not standing upright.  
Assemble on a soft, clean surface to prevent damages.  
To remove the printed numbers on the pieces, use the eraser provided.  
Periodically check all screws & fixings to ensure they are secure.  
DO NOT push the item as this will damage the base.  
Always lift the item with two people to reposition.  
Keep any sharp objects away from the item.





Parts list				Parts list			
Part	Description	Box	Qty	Part	Description		Qty
1	Cabinet Top	1	1	A	Cam Bolt M6X35MM		8
2	Bottom Panel	1	1	B	Cam Lock 15X10MM		8
3	Left Side Panel	1	1	C	Wooden Dowel M6X30MM		12
4	Right Side Panel	1	1	D	Screw M4X35MM		14
5	Left Slide Support Panel	1	1	E	Screw M3X14MM		4
6	Right Slide Support Panel	1	1	F	Screw M3.5X14MM		2
7	Back Panel	1	1	G	Plastic Corner Support		4
8	Drawer Front Panel	1	1	H	Handle		1
9	Drawer Back Panel	1	1	I	Slide Sets METAL RUNNER 12" (CR)		1
10	Drawer Left Side Panel	1	1		Slide Sets METAL RUNNER 12" (CL)		
11	Drawer Right Side Panel	1	1		Slide Sets METAL RUNNER 12" (DL)		
12	Drawer Bottom Panel	1	1		Slide Sets METAL RUNNER 12" (DR)		
13	Feet	4	4	J	Nylon Anti Tip Strap		2
				K	Wall Plug		2
				L	Metal Leg Plate		4
				M	Screw M4X12MM		22
				N	Screw M3X12MM		12

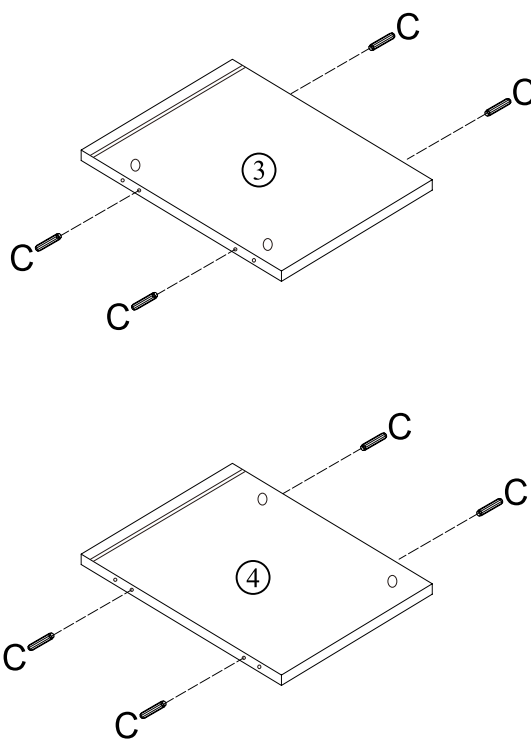
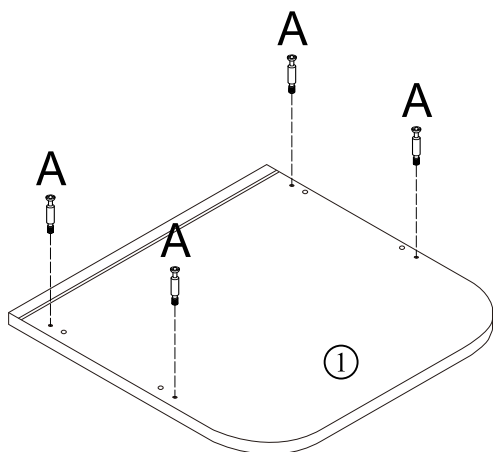
**\*\* You will need a small mallet and a screwdriver for assembly.  
 \*\* Some screws and wooden dowel may remain.**



# Step 1

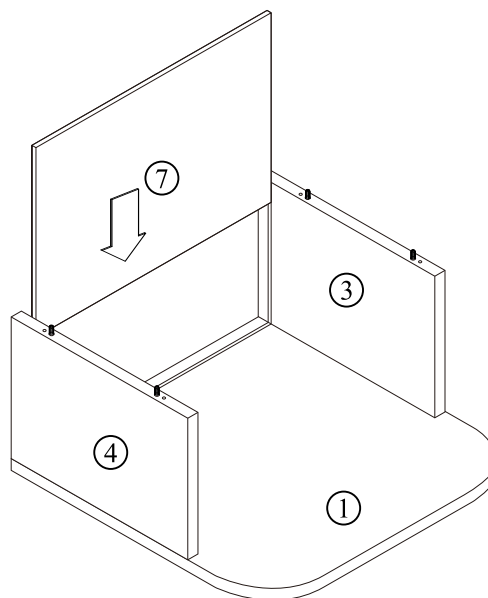
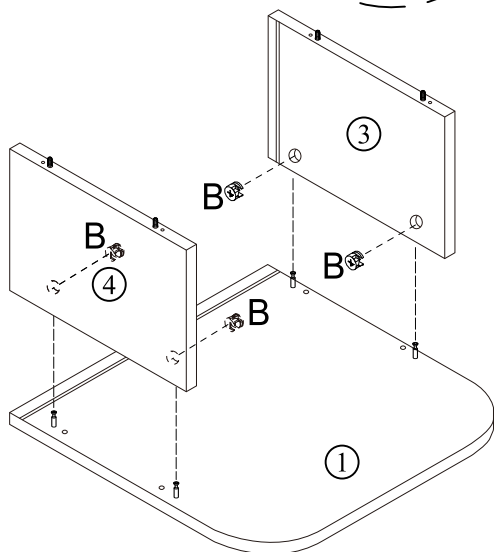
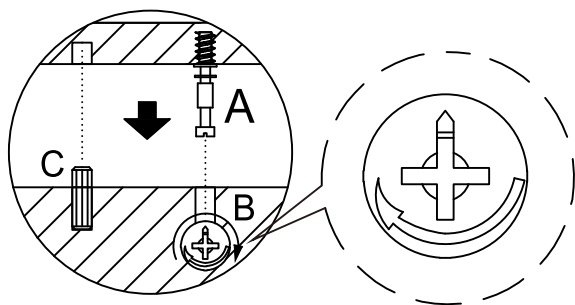
Vendor:S000403

A X 4  
C X 8



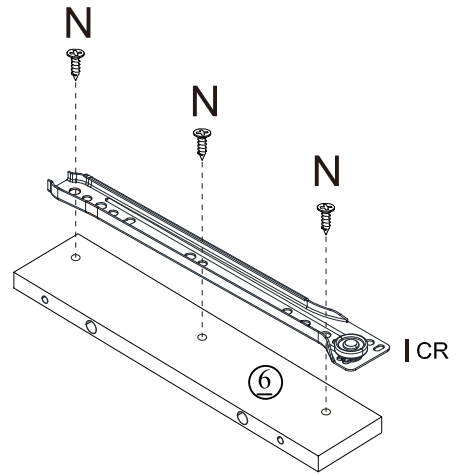
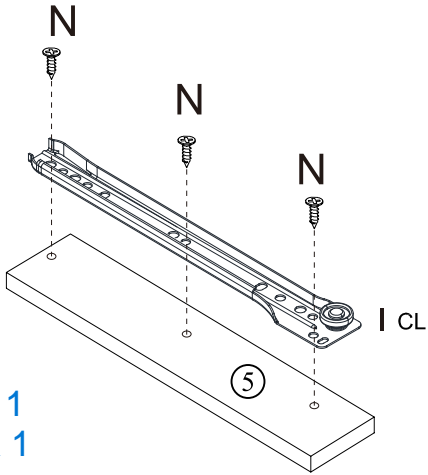
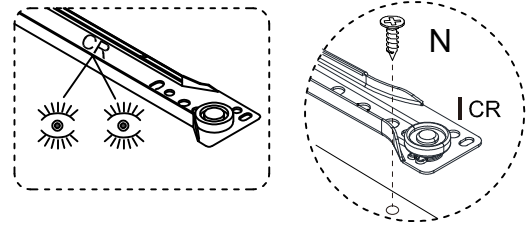
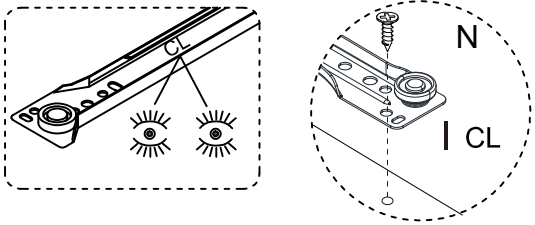
# Step 2

B X 4



# Step 3

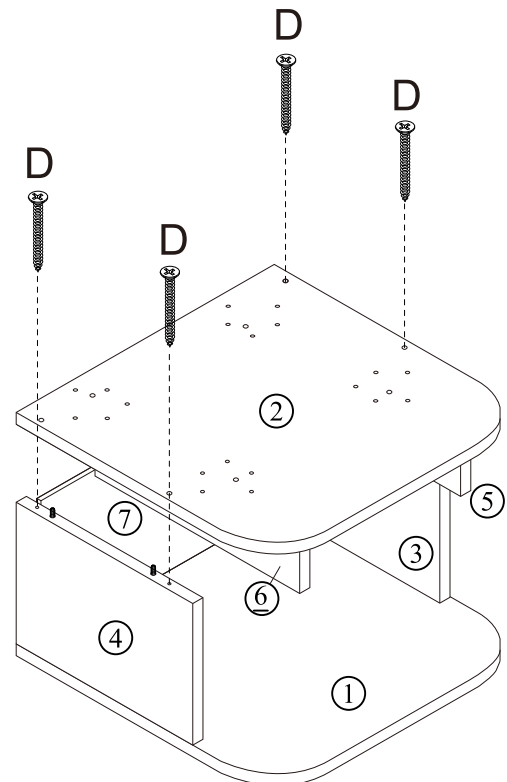
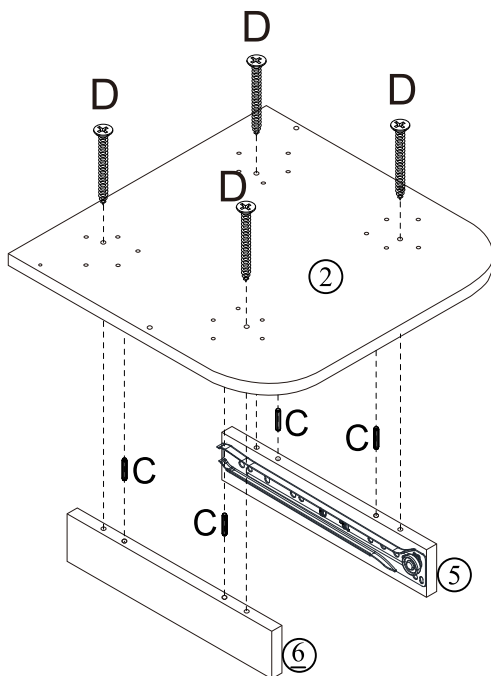
Vendor:S000403



I (CL) X 1  
I (CR) X 1  
N X 6

# Step 4

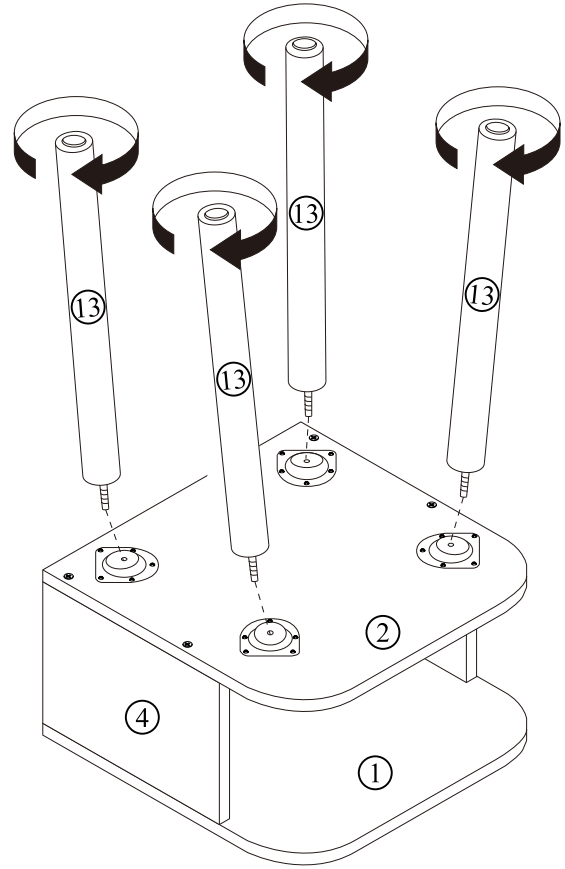
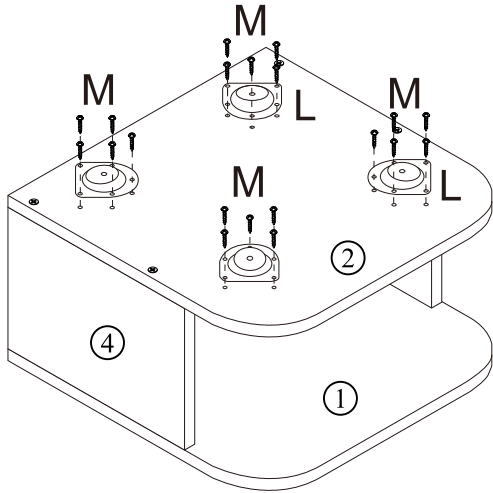
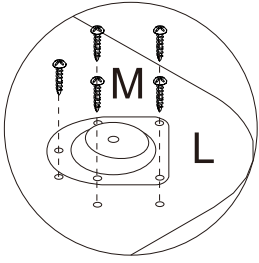
C X 4  
D X 8



# Step 5

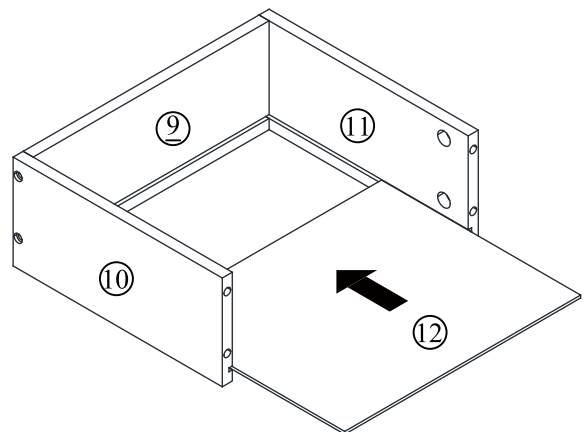
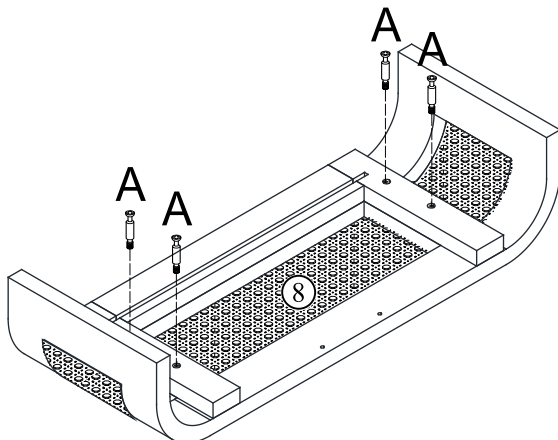
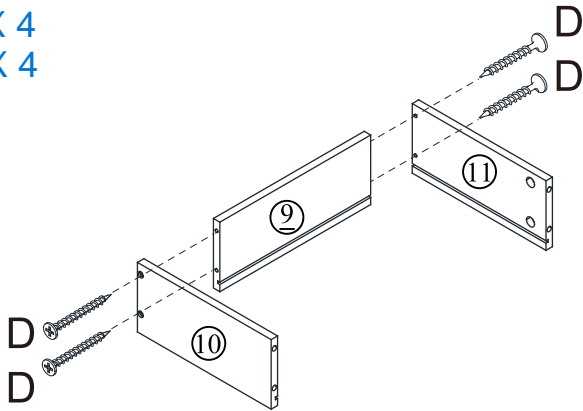
Vendor:S000403

L X 4  
M X 20



# Step 6

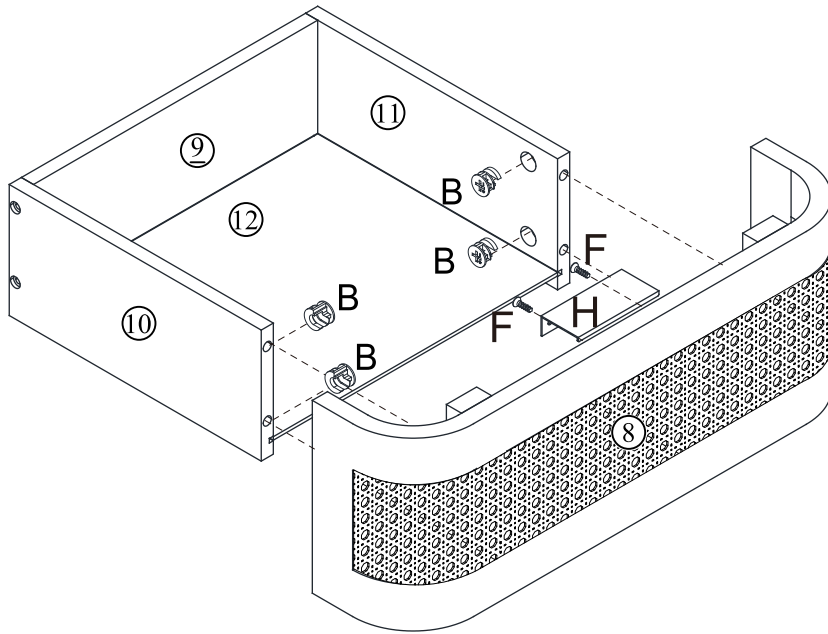
A X 4  
D X 4



# Step 7

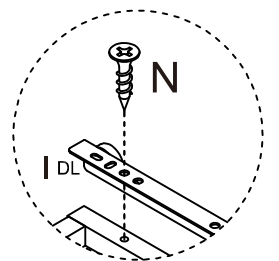
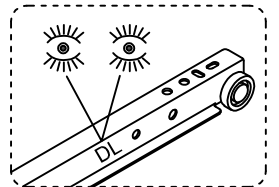
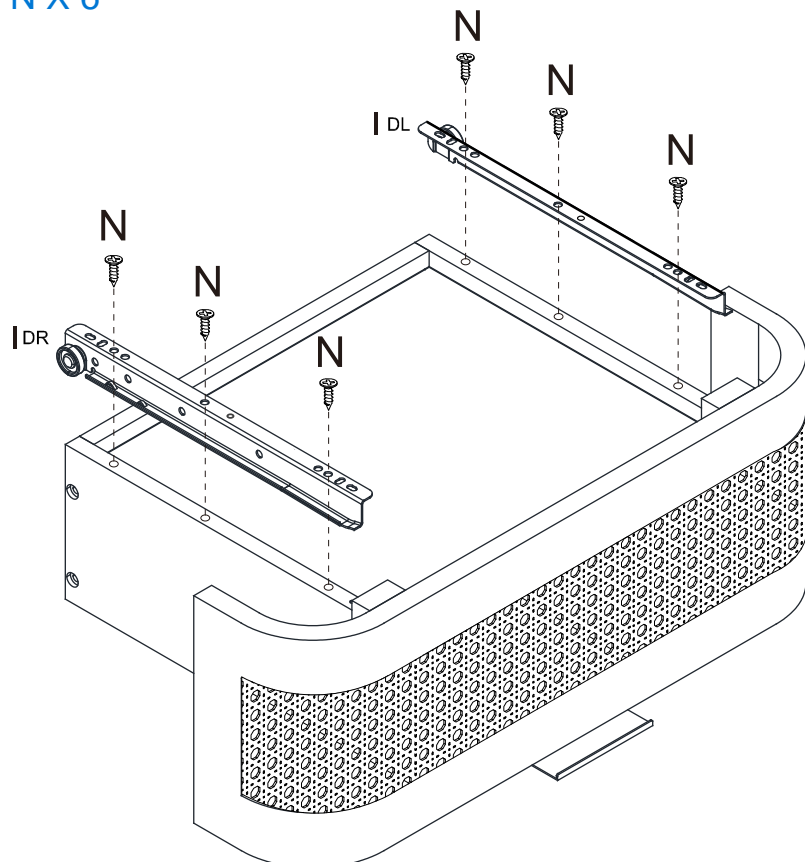
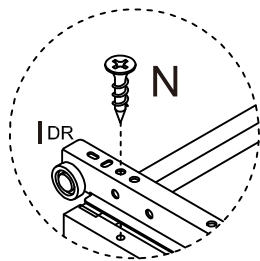
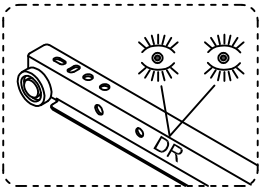
Vendor: S000403

B X 4  
F X 2  
H X 1



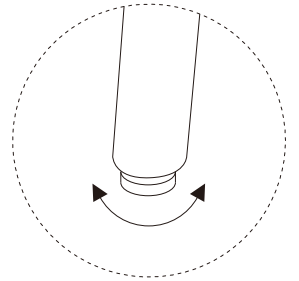
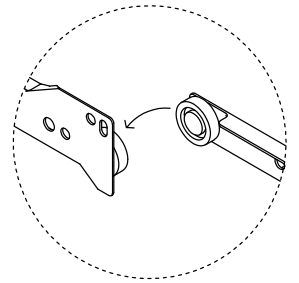
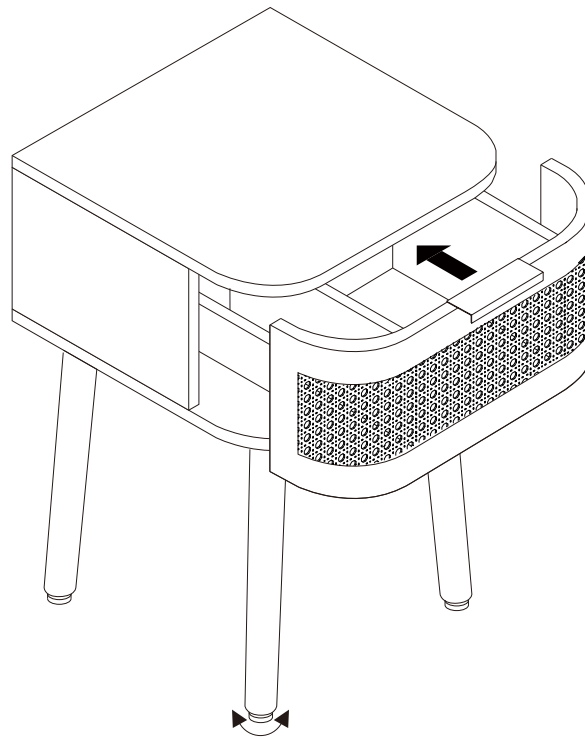
# Step 8

I(DR) X 1  
I(DL) X 1  
N X 6



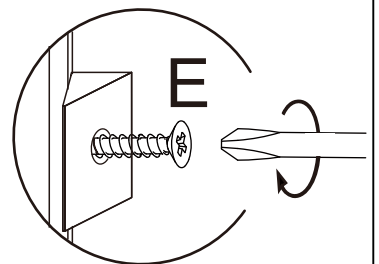
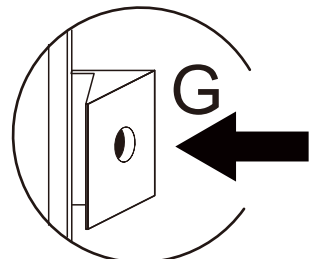
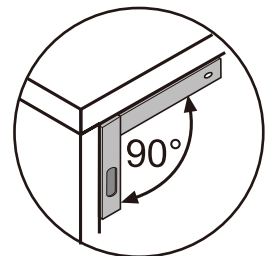
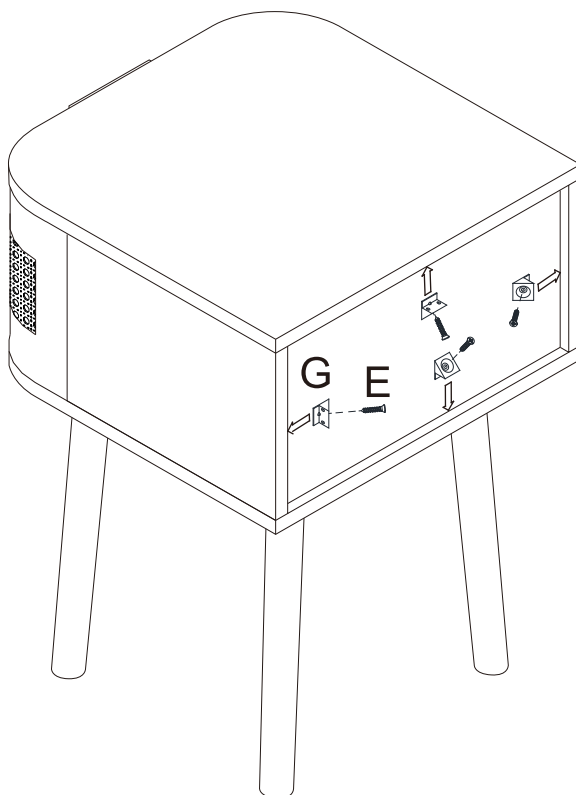
# Step 9

Vendor:S000403



# Step 10

EX 4  
GX 4

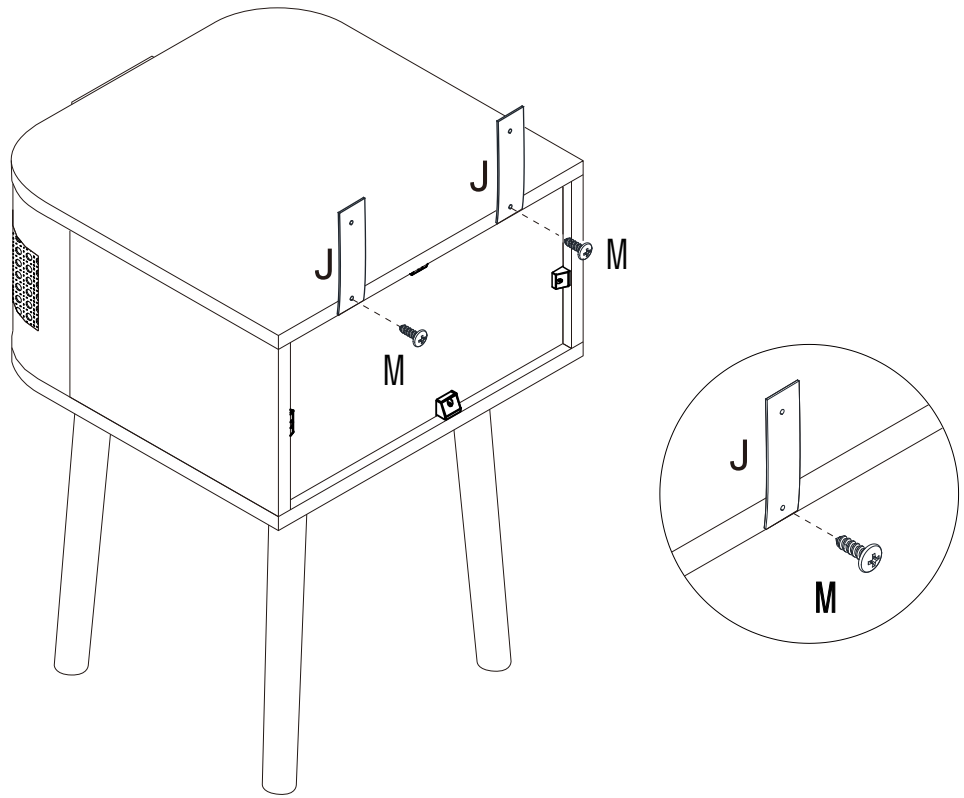




# Step 11

Vendor:S000403

J X 2  
M X 2



# Step 12

D X 2  
K X 2

