

# Birlea®

## Assembly Instructions

---

Thank you for  
purchasing a  
Birlea product

For a chance to win a Love2Shop voucher simply post a picture of your new product on your preferred social channels tagging Birlea Furniture. One winner will be selected at random each month.

\*Terms & conditions may apply.

---

### Are you happy with your purchase?

**Yes:** That's great, we would love to hear more from you. Please leave us a review on our Trustpilot link on the QR code here. Your feedback will be greatly appreciated.



**No:** If for any reason there is something missing, indifferent or incorrect with your order, please contact the retailer that you purchased your item from.

Please note that this items build time is around **30**minutes with **2** man build



## ASSEMBLY INSTRUCTIONS NOAH 2 DOOR 1 DRAWER TV UNIT

**IMPORTANT: READ THESE INSTRUCTIONS CAREFULLY BEFORE ASSEMBLING OR USING NOAH 2 DOOR 1 DRAWER TV UNIT.**

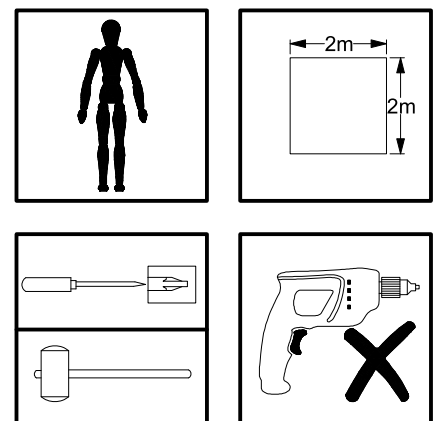
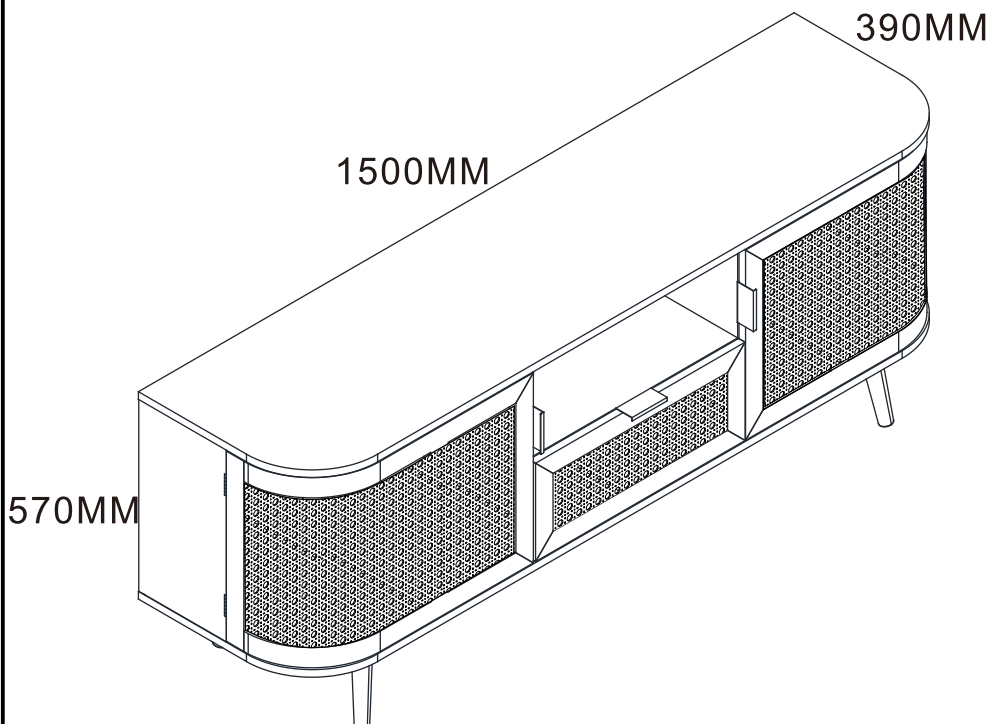
**PLEASE KEEP THESE INSTRUCTIONS FOR FUTURE REFERENCE.**

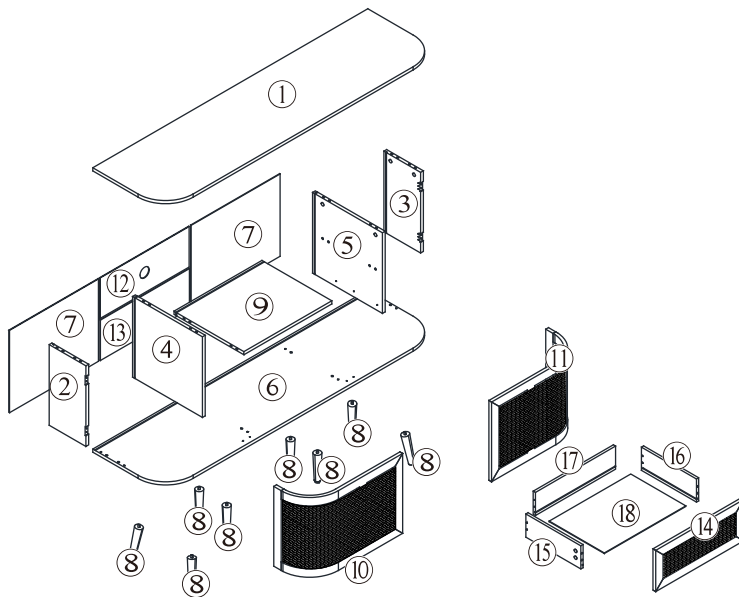
### **HEALTH & SAFETY:**

DO NOT use this item if any parts are missing, damaged or worn.  
DO NOT use this item unless all fixings are secured.  
Please keep small parts out of reach of children  
Always use on a level, even surface.

### **CARE & MAINTENANCE:**

Assemble in the room of use  
Assembly should be carried out with this item laying flat, not standing upright.  
Assemble on a soft, clean surface to prevent damages.  
To remove the printed numbers on the pieces, use the eraser provided  
Periodically check all screws & fixings to ensure they are secure.  
DO NOT push the item as this will damage the base.  
Always lift the item with two people to reposition.  
Keep any sharp objects away from the item.


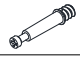


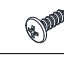
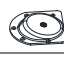




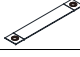

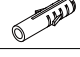











**Parts List**

Part	Description	Box	Qty
1	Cabinet Top	1	1
2	Left Side Panel	1	1
3	Right Side Panel	1	1
4	Left Slide Support Panel	1	1
5	Right Slide Support Panel	1	1
6	Bottom Panel	1	1
7	Back Side Panel	1	2
8	Feet	1	8
9	Shelf	1	1
10	Left Door	1	1
11	Right Door	1	1
12	Back Middle Upper Panel	1	1
13	Back Middle Down Panel	1	1
14	Drawer Front Panel	1	1
15	Drawer Left Side Panel	1	1
16	Drawer Right Side Panel	1	1
17	Drawer Back Panel	1	1
18	Drawer Bottom Panel	1	1

**Hardware List**

Part	Description	Qty
A	Wooden Dowel M6X30MM 	20
B	Cam Bolt M6X35MM 	16
C	Cam Lock 15X10MM 	16
D	Screw M4X35MM 	14
E	Screw M4X12MM 	22
F	Metal Leg Plate 	4
G	Plastic Corner Support 	16
H	Screw M3X14MM 	64
I	Screw M3X12MM 	12
J	Screw M3.5X14MM 	6
K	Nylon Anti Tip Strap 	2
L	Metal Door Plate 	4
M	Wall Plug 	2
N	Hinge 	4
O	Handle 	3
P	Slide Sets METAL RUNNER 12" (CL) 	1
	Slide Sets METAL RUNNER 12" (CR) 	
	Slide Sets METAL RUNNER 12" (DL) 	
	Slide Sets METAL RUNNER 12" (DR) 	
Q	Magnetic Door Catch 	4

**\*\* You will need a small mallet and a screwdriver for assembly.**

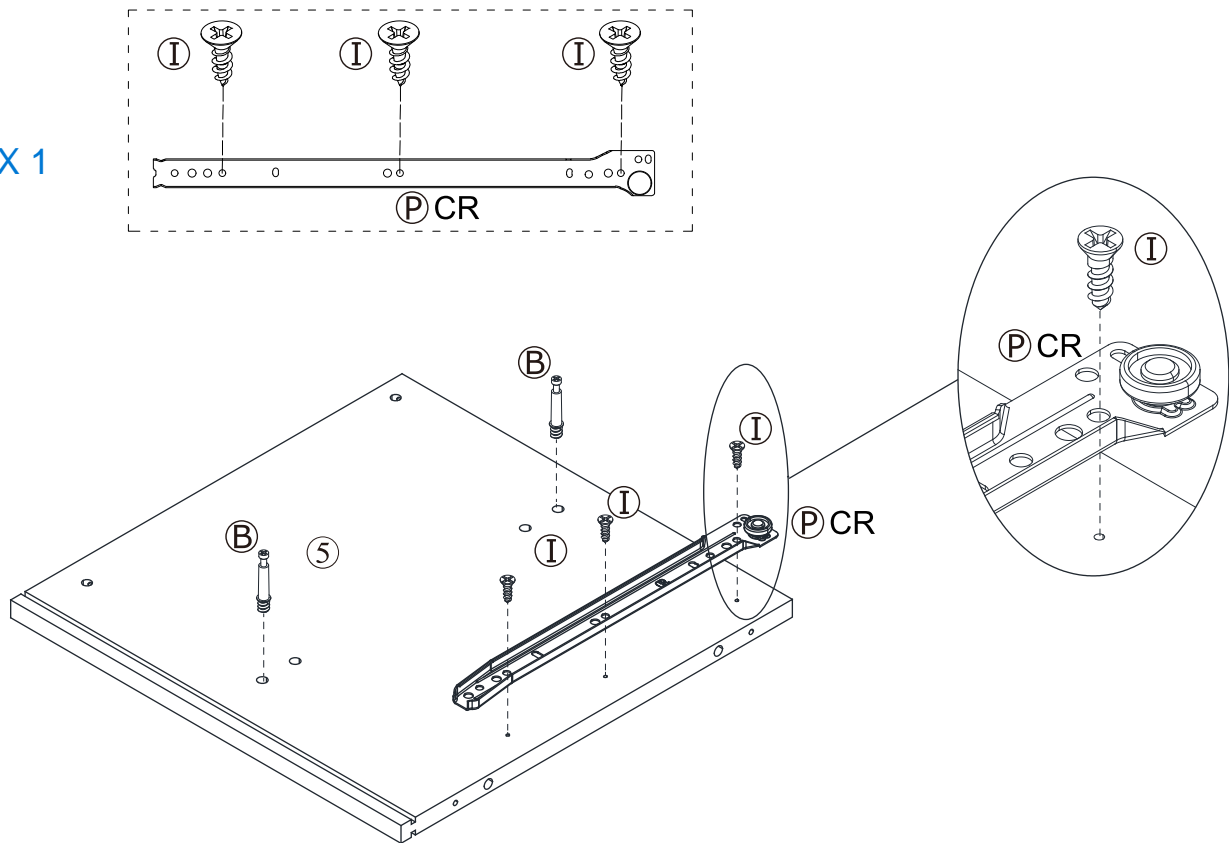
**\*\* Some screws and wooden dowel may remain.**



DO NOT use any power tools as this may damage the frame and will invalidate any claim.

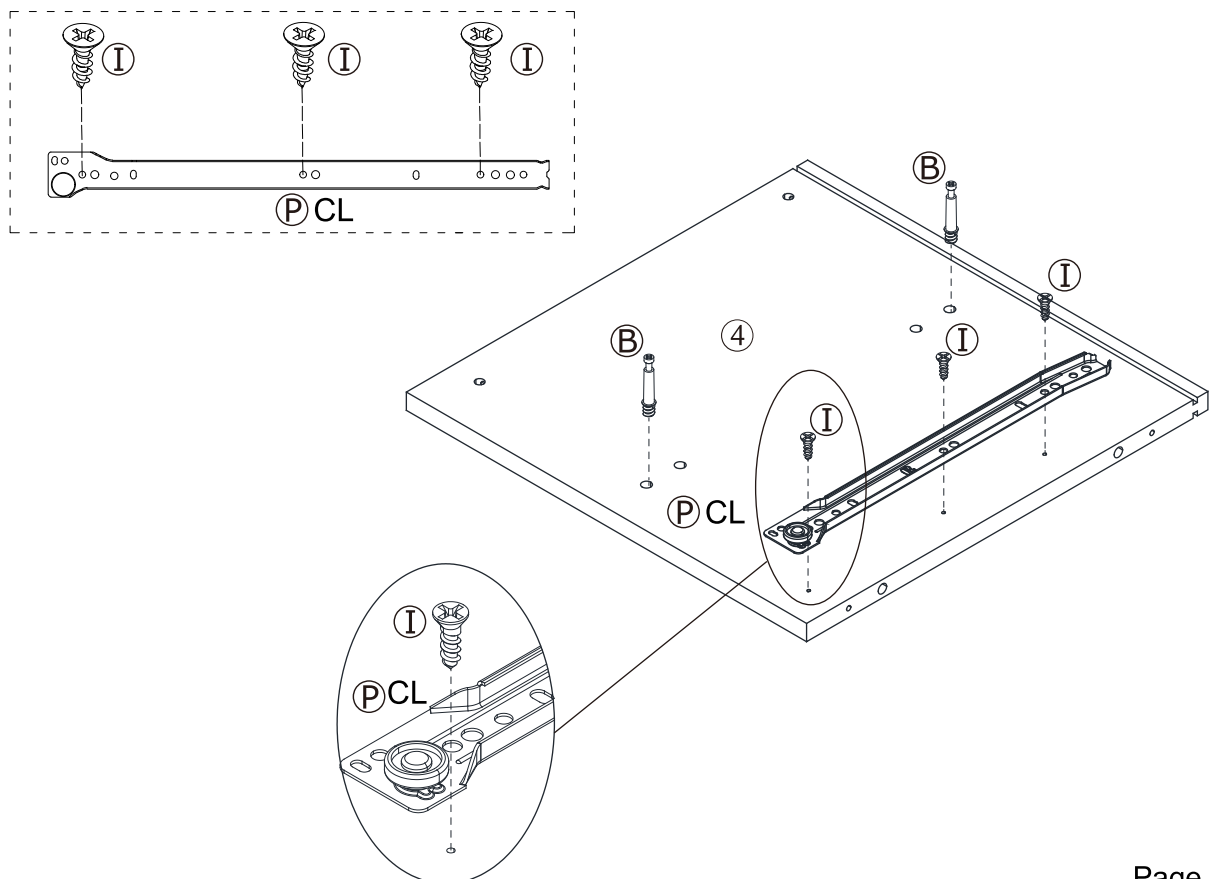
Step 1

B X 2  
I X 3  
P(CR) X 1



Step 2

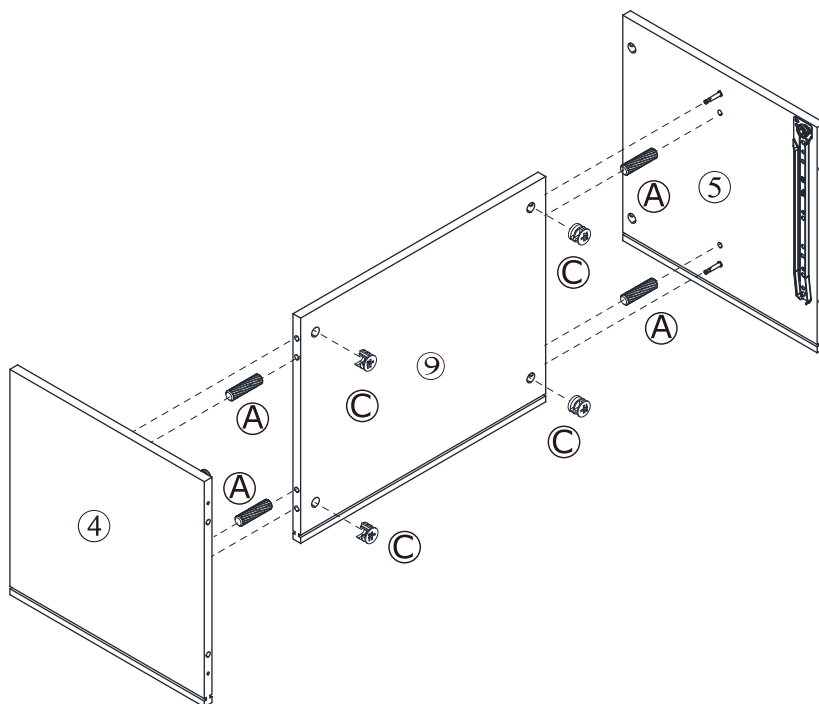
B X 2  
I X 3  
P(CL) X 1



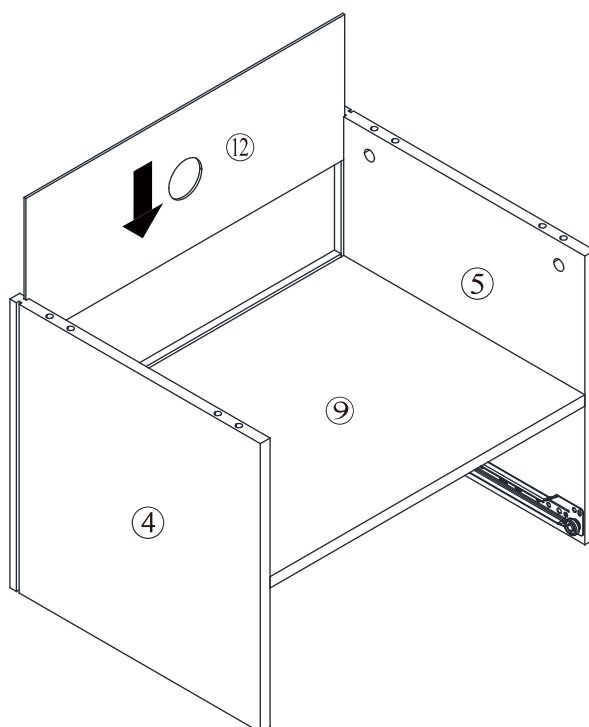
Step 3

Vendor:S000403

A X 4  
C X 4



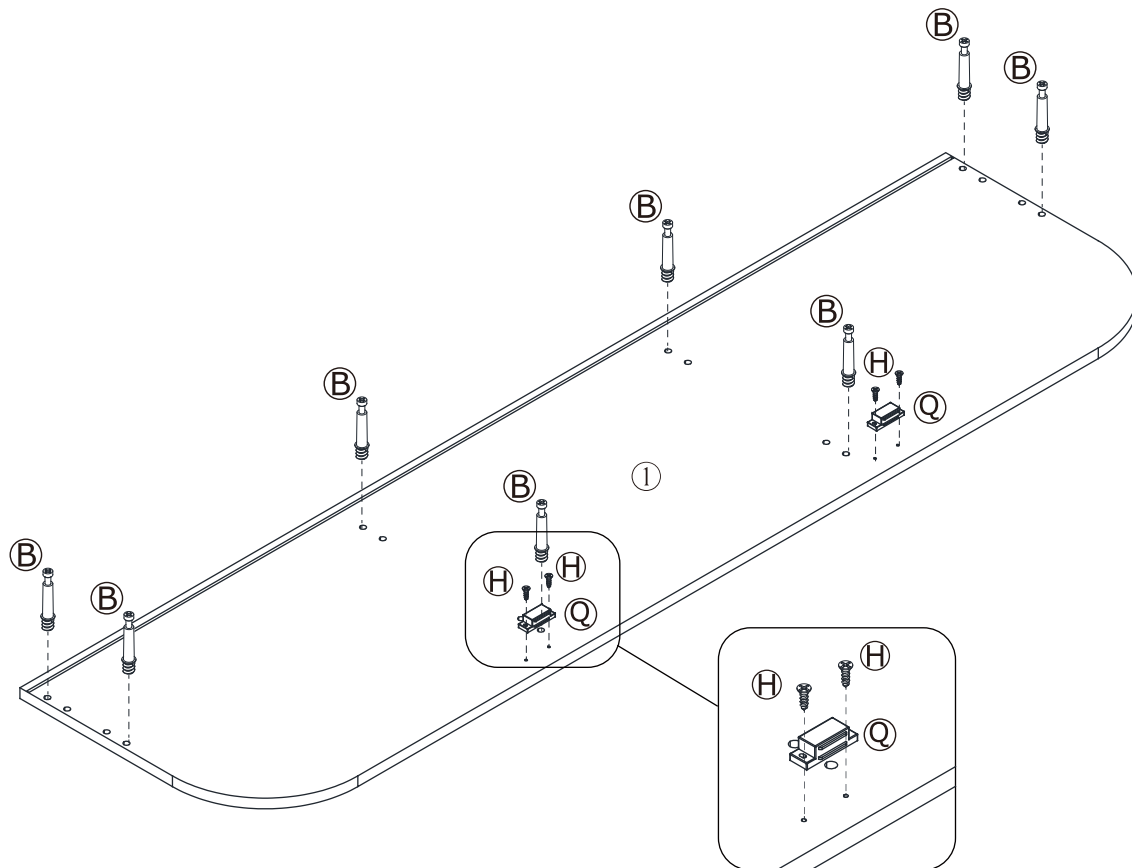
Step 4



Step 5

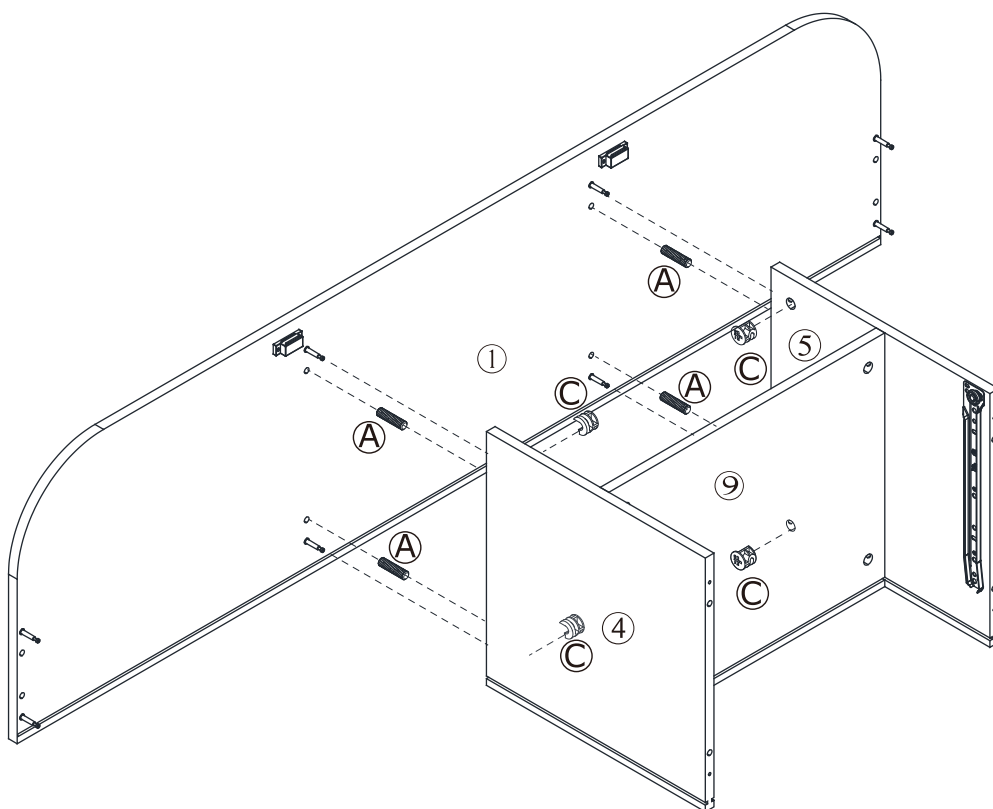
Vendor:S000403

B X 8  
H X 4  
Q X 2



Step 6

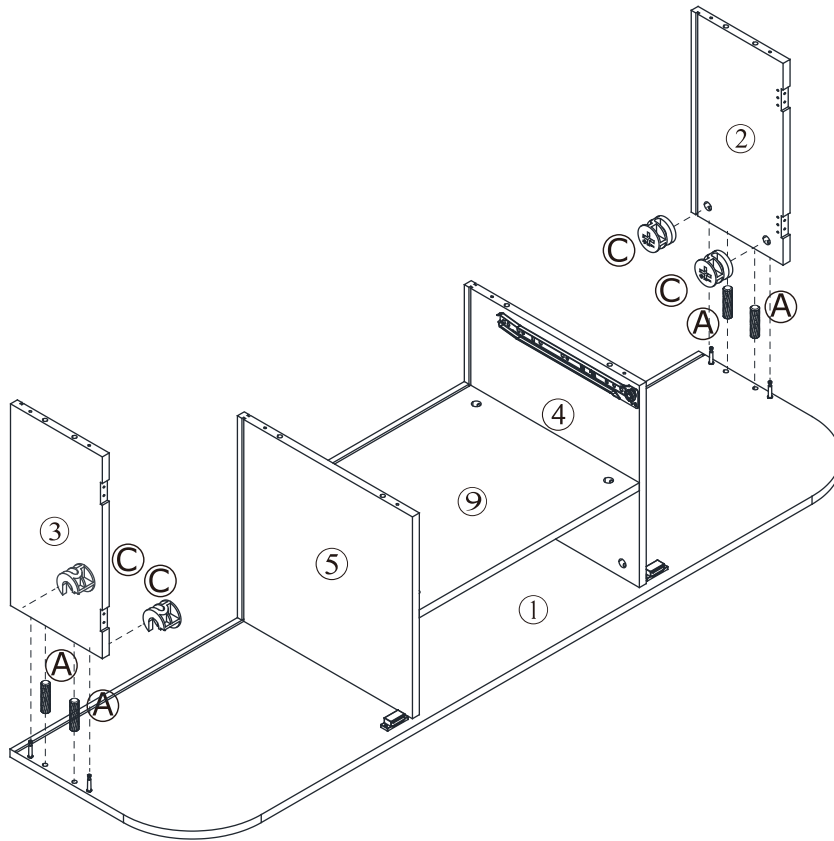
A X 4  
C X 4



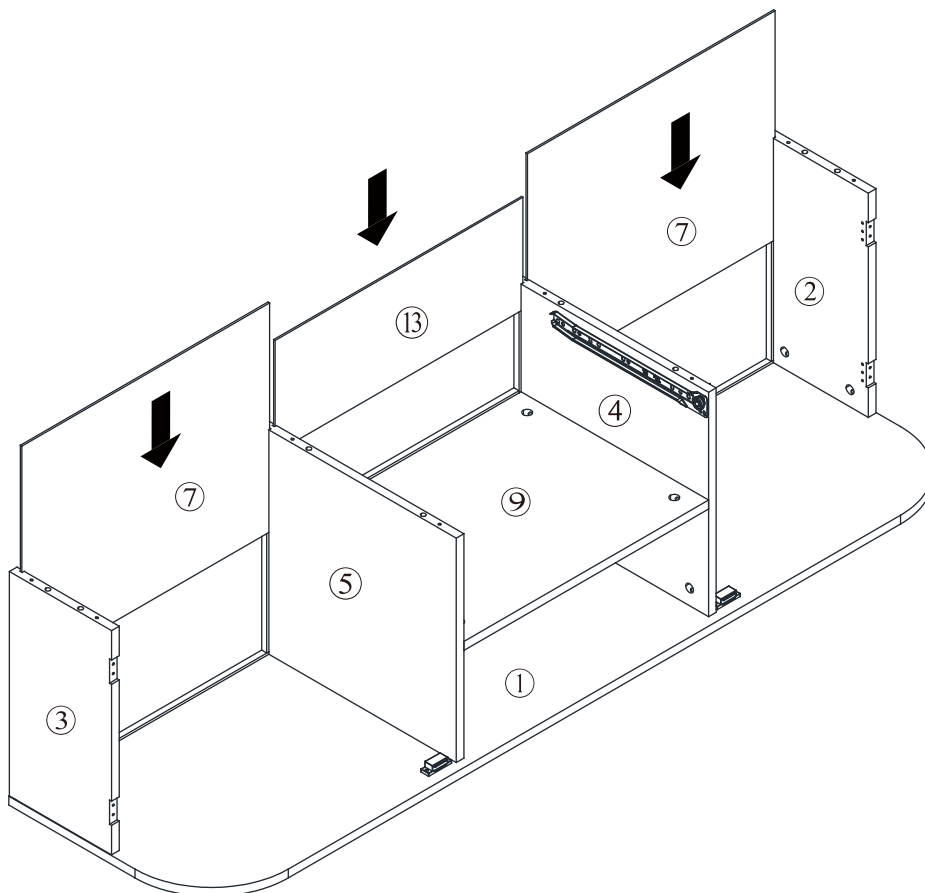
Step 7

Vendor:S000403

A X 4  
C X 4



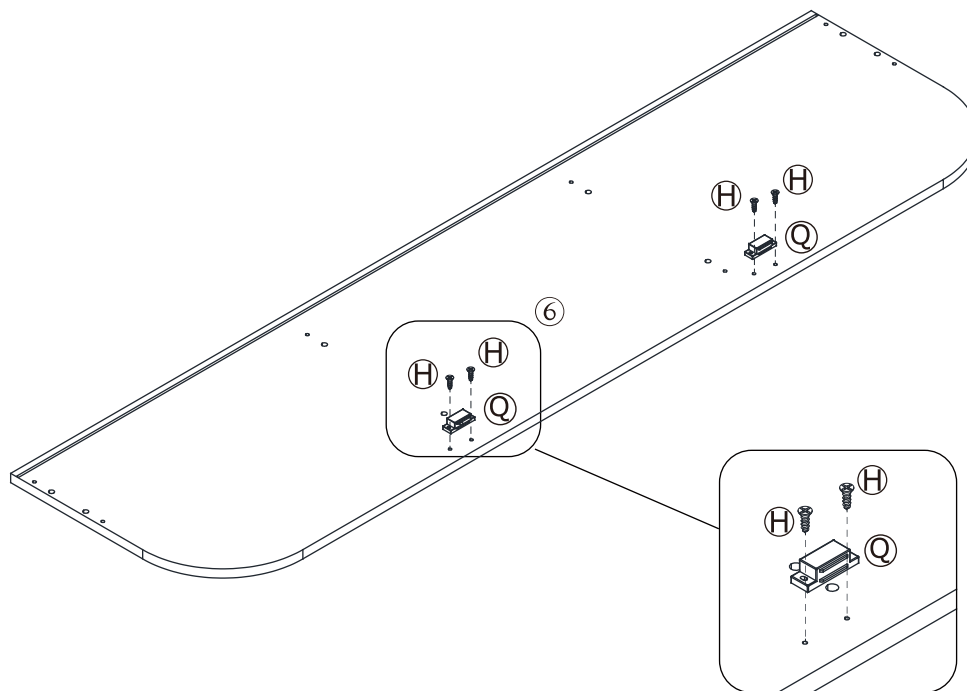
Step 8



Step 9

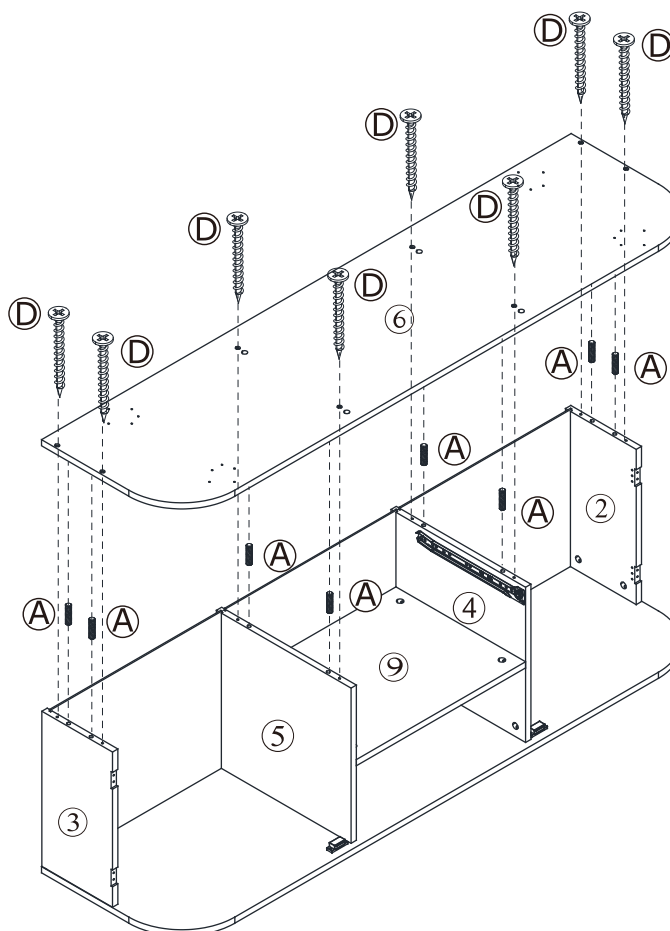
Vendor:S000403

H X 4  
Q X 2



Step 10

A X 8  
D X 8

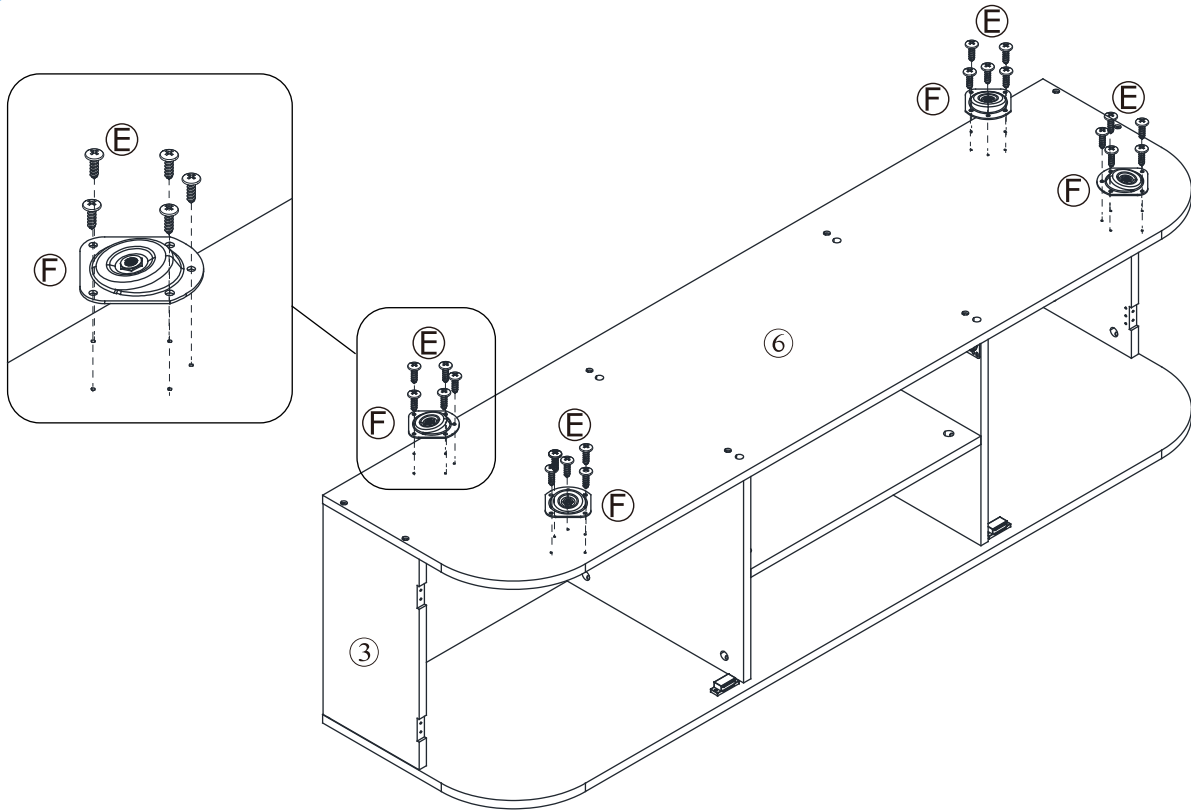




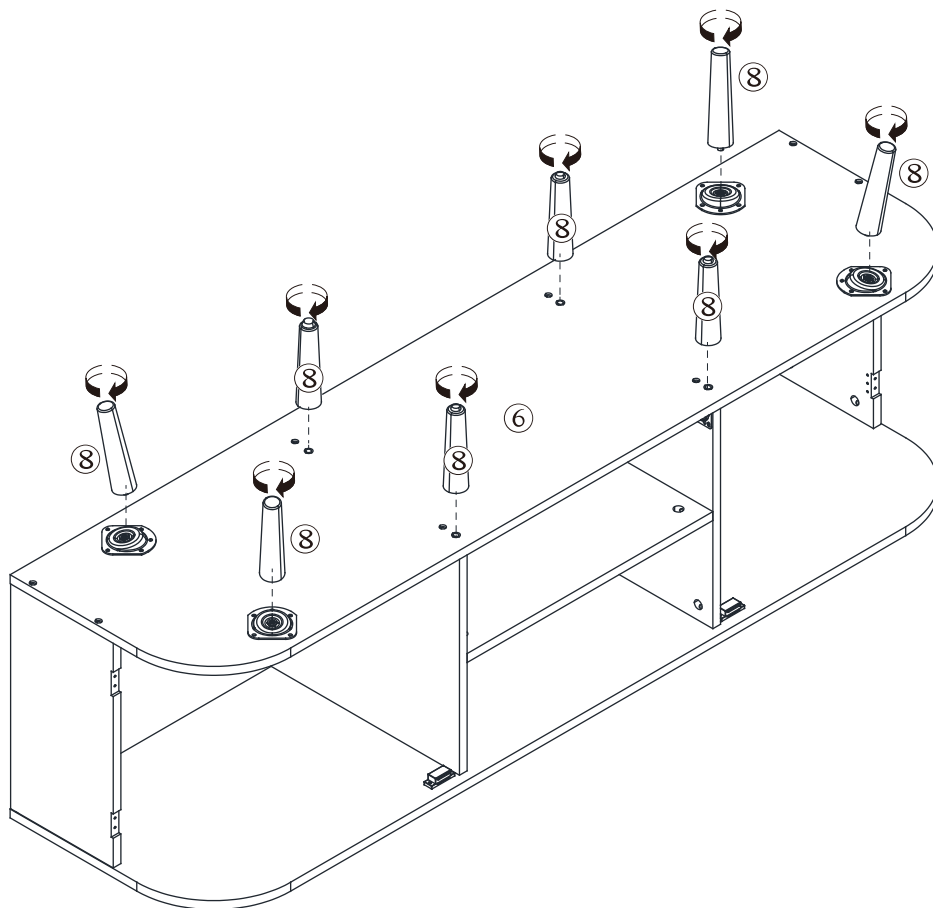
Step 11

Vendor:S000403

F X 4  
E X 20



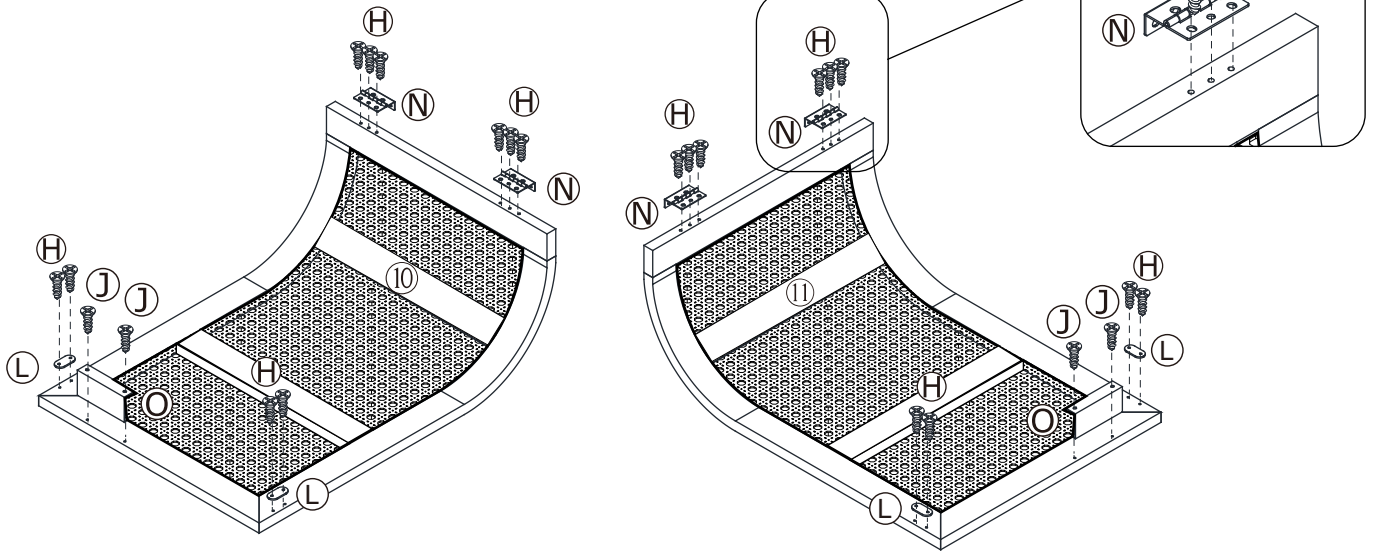
Step 12



Step 13

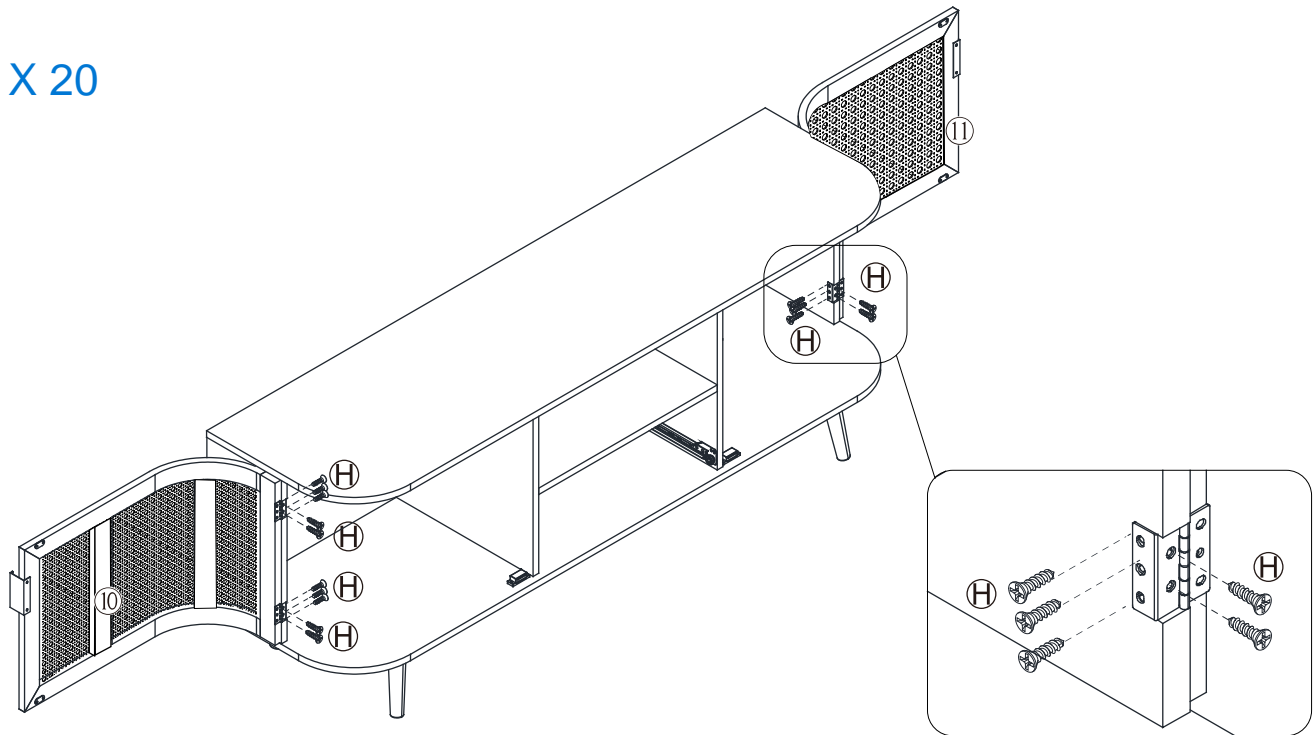
Vendor:S000403

H X 20  
J X 4  
L X 4  
N X 4  
O X 2



Step 14

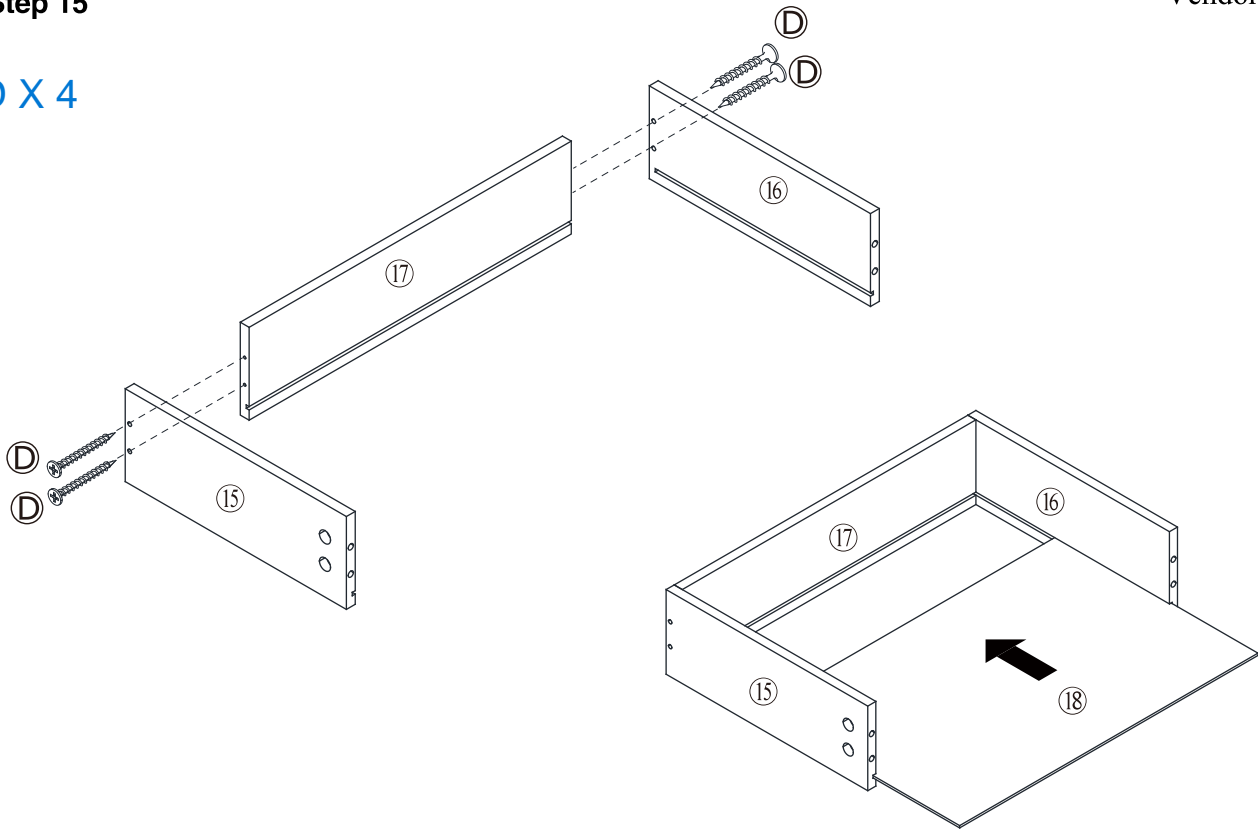
H X 20



Step 15

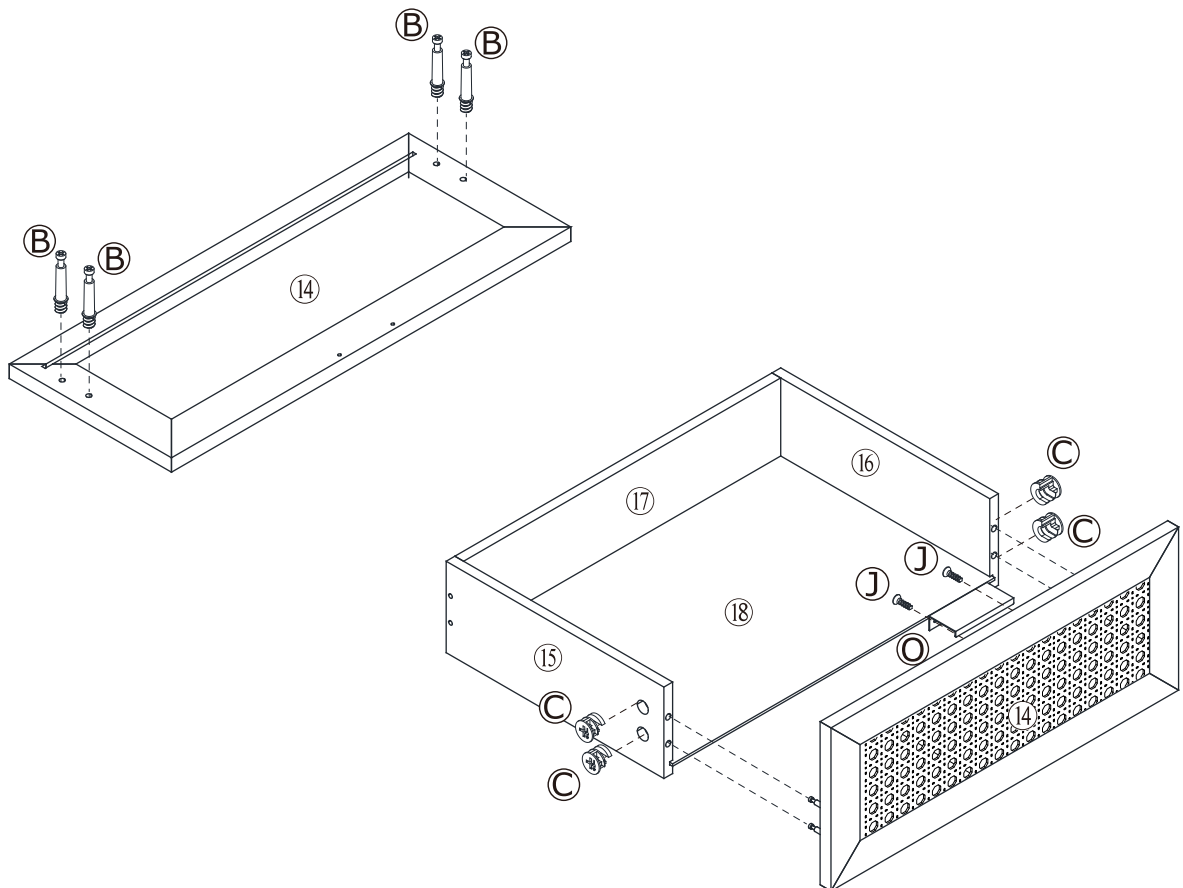
Vendor:S000403

D X 4



Step 16

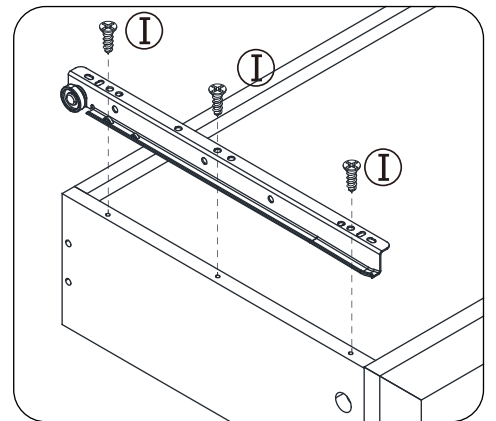
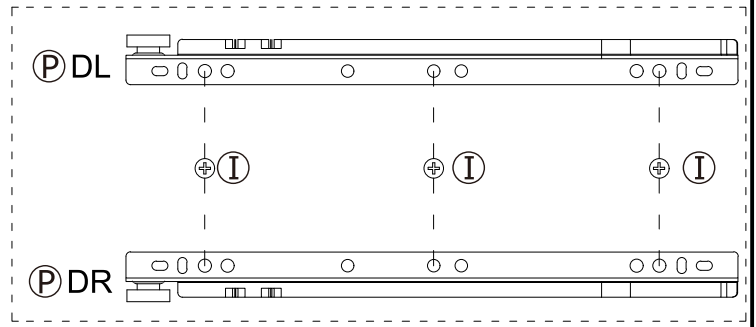
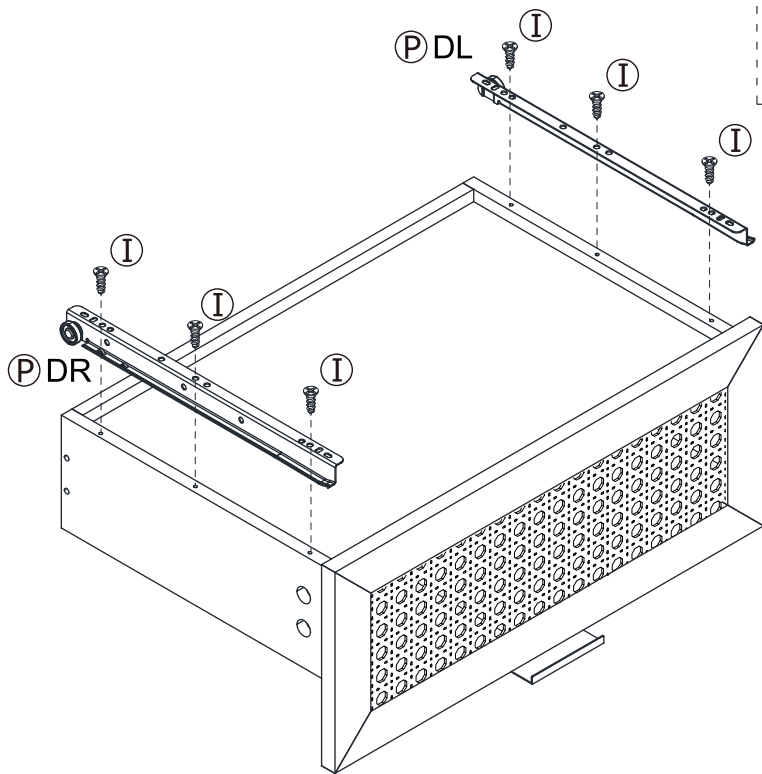
B X 4  
C X 4  
J X 2  
O X 1



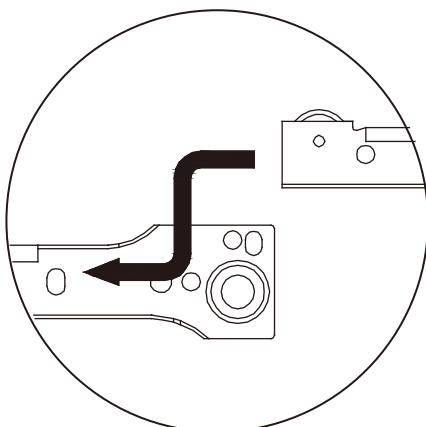
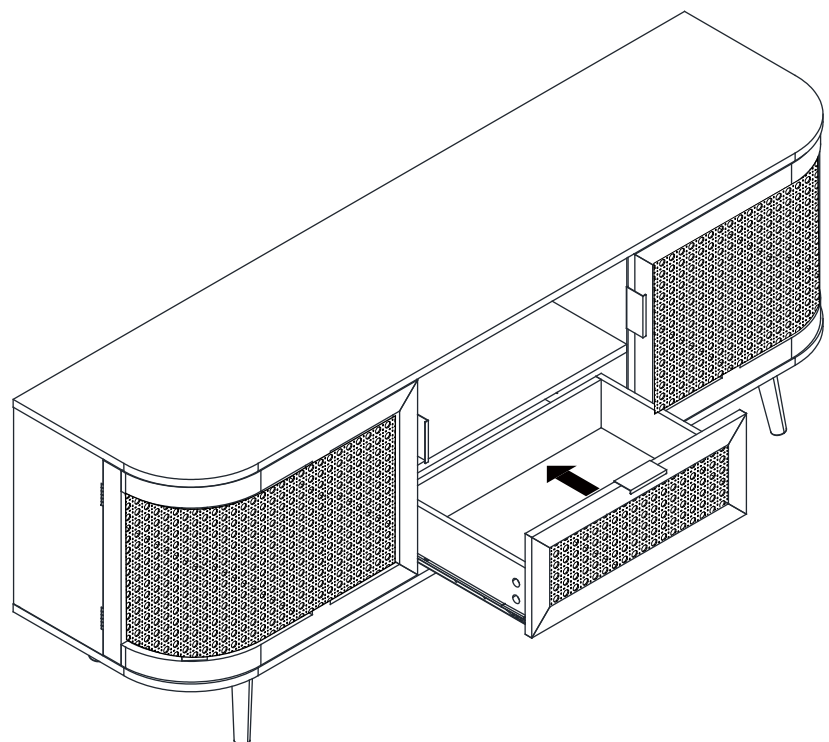
Step 17

Vendor:S000403

I X 6  
P(DL) X 1  
P(DR) X 1



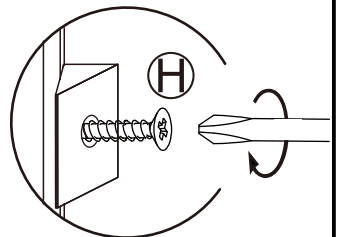
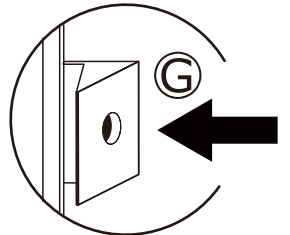
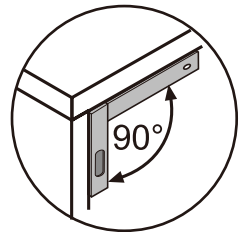
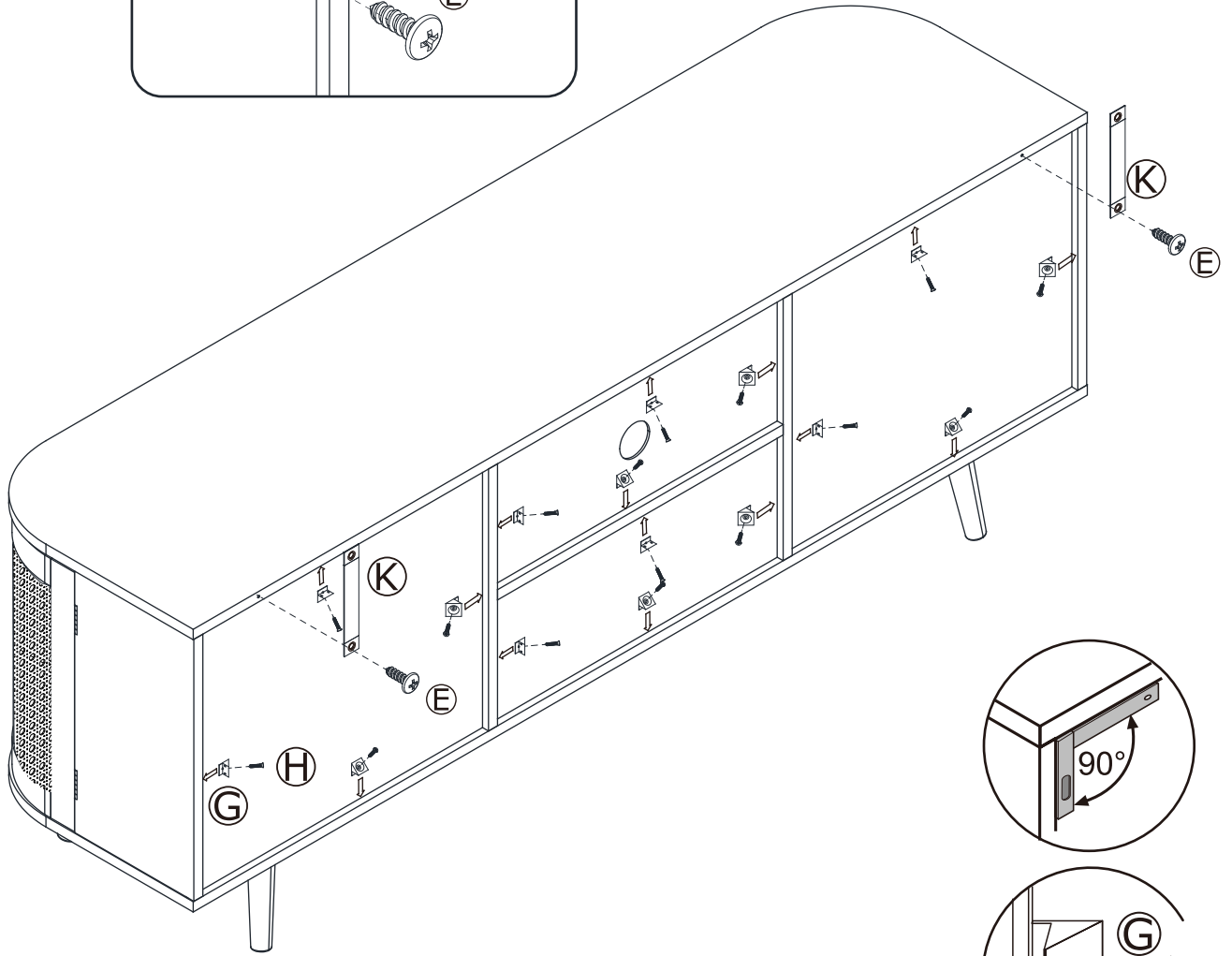
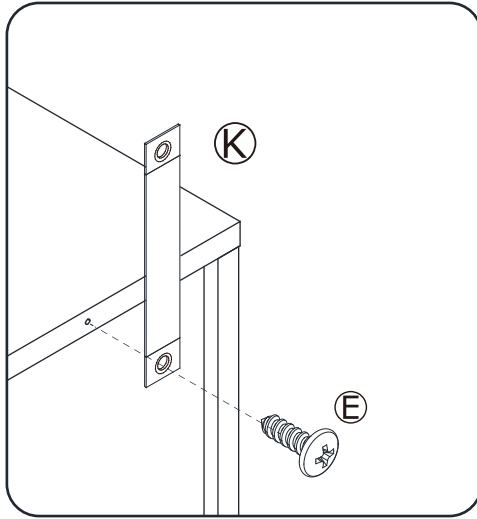
Step 18



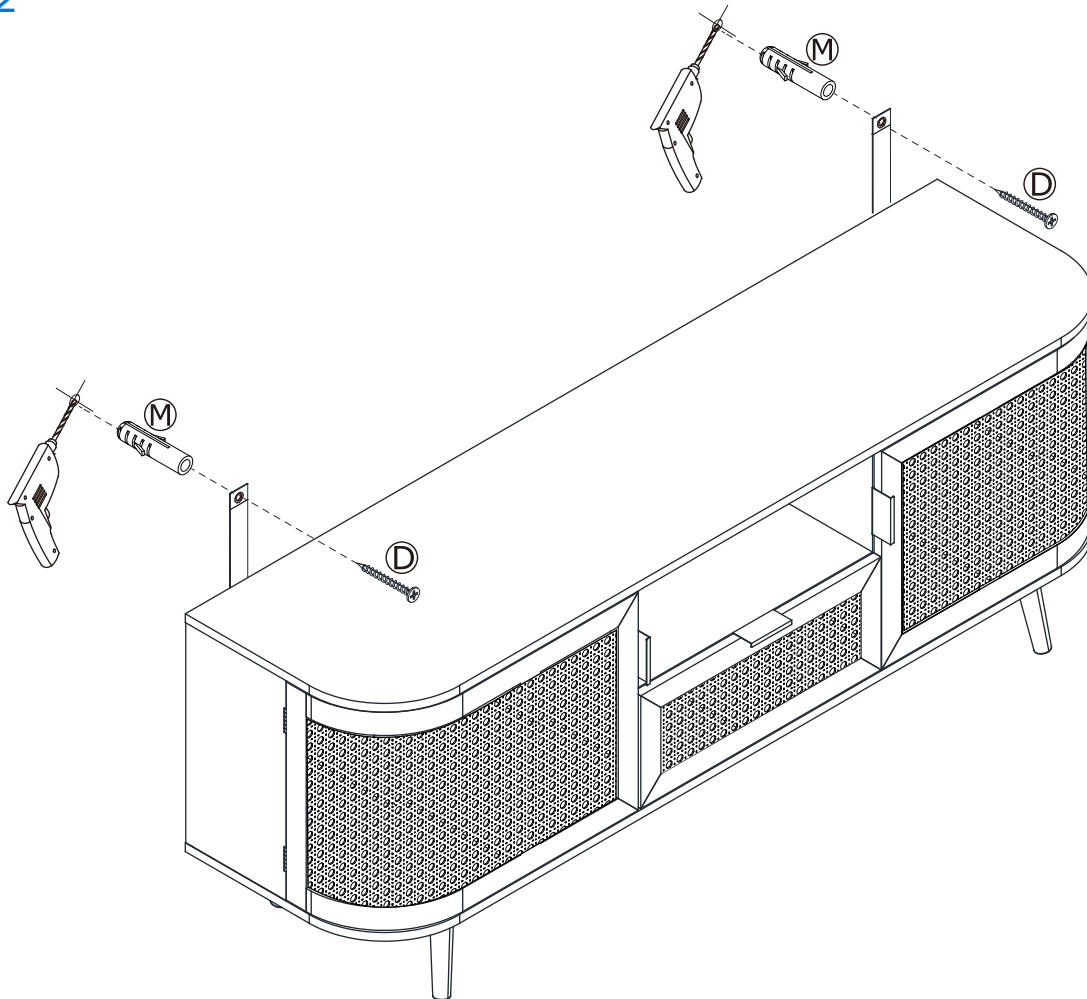
Step 19

Vendor:S000403

E X 2  
G X 16  
H X 16  
K X 2



D X 2  
M X 2



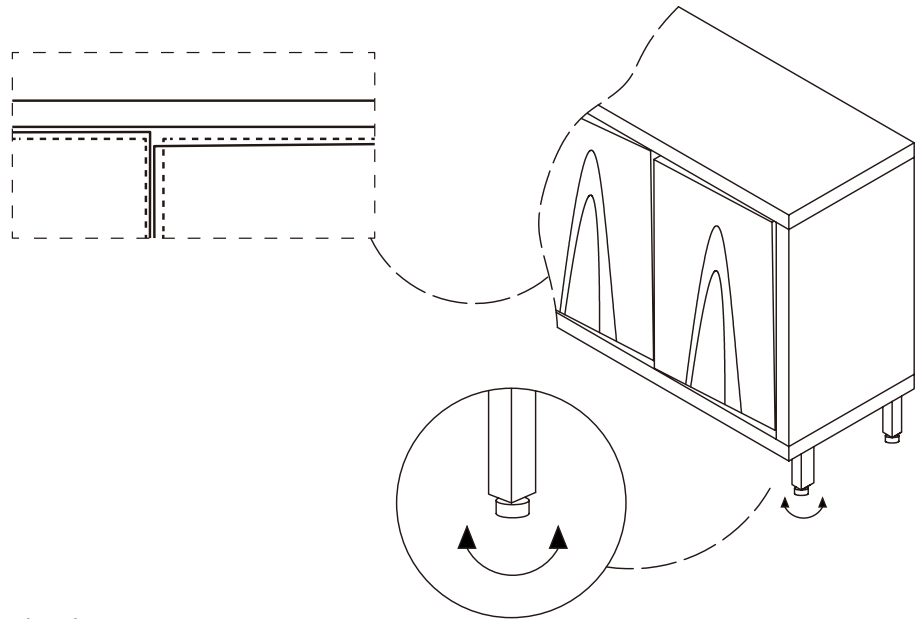
### Additional Information:

- For complete product information, images and dimension diagrams please visit the website [www.birlea.com](http://www.birlea.com)
- If you have any issues with your item please contact the retailer directly you purchased it from who will be able to resolve any issues with Birlea.
- Why don't you send us photos of your assembled furniture to [info@birlea.com](mailto:info@birlea.com) to be shared in our #birleahome feature on Instagram.

# Is your cabinet door looking crooked or unevenly spaced? (Cont.)

If you're still having trouble lining everything up, your next step should be to try to adjust the feet slightly to square up the cabinet & doors. Follow the illustrations below:

If the right door appears to be hanging low, you can adjust the adjustable leveler on the front right until the door is better aligned.



If the left door appears to be hanging low, you can adjust the adjustable leveler on the front left until the door is better aligned.

