



Birlea

Suppliers of inspiration

Assembly Instructions

Thank you for
purchasing a
Birlea product.

For a chance to win a *Love 2 Shop* voucher simply post a picture of your new product on your preferred social channels tagging Birlea Furniture and using the hashtag **#ShareYourStyle** and **#Birlea**. One winner will be selected at random each month.

To view our full terms and conditions please visit our website. www.birlea.com

Are you happy with your purchase?

Yes: That's great, we would love to hear more from you. Please leave us a review on our social media channels or Trustpilot. Your feedback will be greatly appreciated.

No: If for any reason there is something missing, indifferent or incorrect with your order, please contact the retailer you purchased the item from. We will work with the retailer to resolve your issue as quickly as possible.



www.birlea.com



Birlea

Suppliers of inspiration

Vendor: S000409



ASSEMBLY INSTRUCTIONS

90CM HOME BED

IMPORTANT: READ THESE INSTRUCTIONS CAREFULLY BEFORE ASSEMBLING OR USING YOUR BED FRAME.

PLEASE KEEP THESE INSTRUCTIONS FOR FUTURE REFERENCE.

HEALTH & SAFETY:

DO NOT jump on this bed frame.

DO NOT use this bed frame if any parts are missing, damaged or worn.

DO NOT use this bed frame unless all fixings are secured.

Please keep small parts out of reach of children.

Always use on a level, even surface.

WARNING: If this bed is placed on a non-carpeted floor you must place some protection under all legs to stop the bed frame from moving. If this is not adhered to there is no guarantee if the bed frame collapses.

CARE & MAINTENANCE:

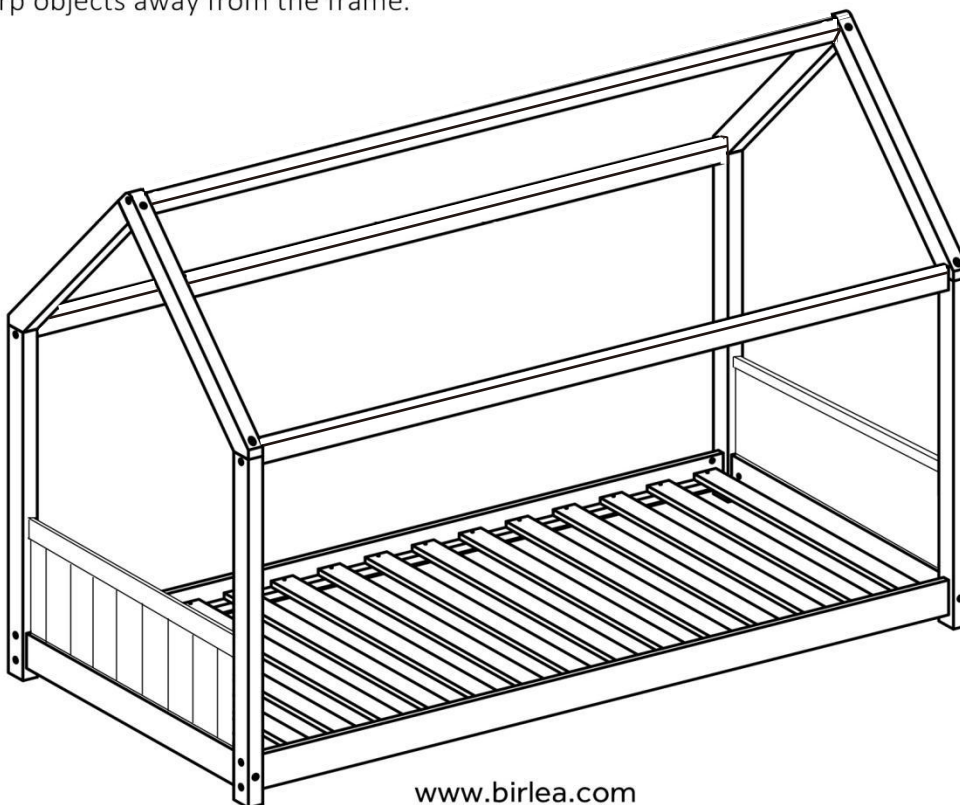
Assemble in the room of use.

Periodically check all screws & fixings to ensure they are secure.

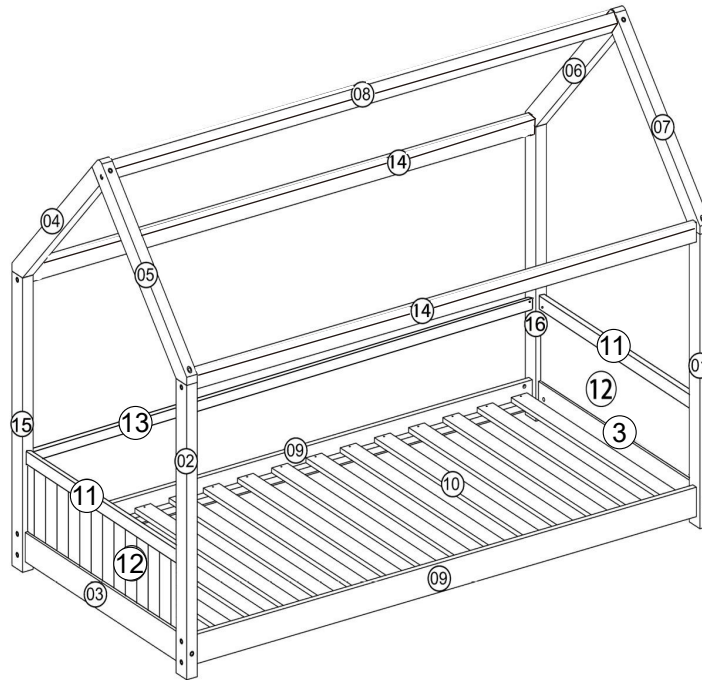
DO NOT push the bed frame as this will damage the legs.

Always lift the bed with two people to reposition.

Keep any sharp objects away from the frame.



www.birlea.com

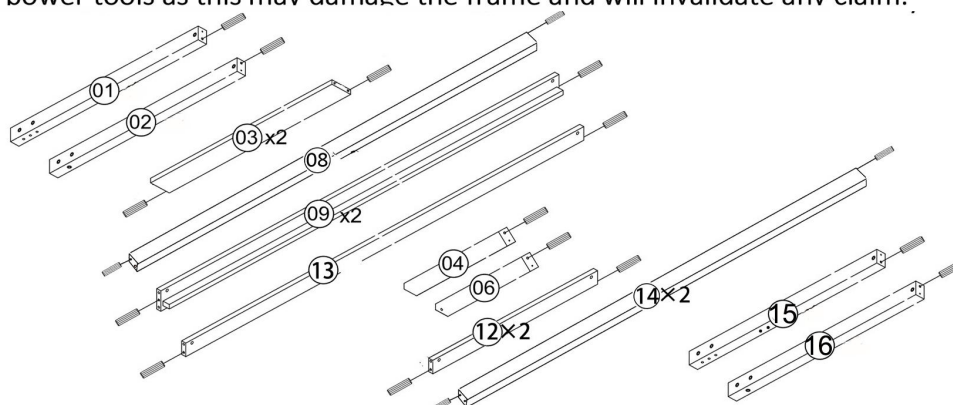


Parts List				Hardware List (found in box 1)		
Part	Description	Box	Qty	Part	Description	Qty
1	Front right corner panels	1	1	A	M6x100mm	18
2	Front left corner panels	1	1	B	Ø6x100mm	8
3	Bottom head rail	1	2	C	M6	18
4	Back left roof panel	1	1	D	Ø8x30mm	26
5	Front left roof panel	1	1	E	Ø4x30mm	28
6	Back right roof panel	1	1	F		01
7	Front right roof panel	1	1	G	M6x60mm	4
8	Top cross bar	1	1			
9	Side rails	1	2			
10	Slats	1	14			
11	Top head rail	1	2			
12	Head Panel	1	2			
13	Support rail	1	1			
14	Side cross bars	1	2			
15	Back left coner panels	1	1			
16	Back right coner panels	1	1			

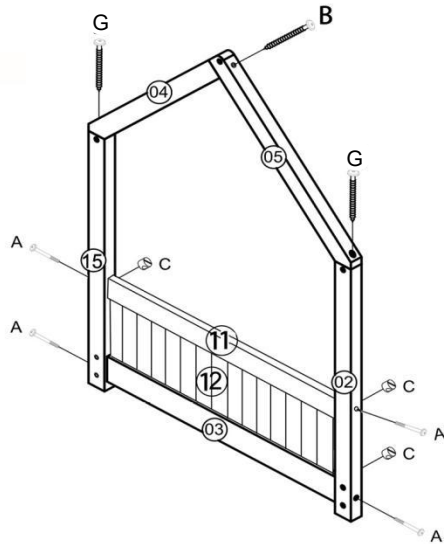
** You will need a screwdriver and a small mallet (not provided).

Step 1: Insert the dowels (D) to 1 x Front right corner panels (1), 1 x Front left corner panels (2), 2 x Bottom head rail (3), 1 x Back left roof panel (4), 1 x Back right roof panel (6), 1 x Top cross bar (8), 2 x Side rails (9), 2 x Head Panel (12), 1 x Support rail (13), 1 x Side cross bars (14), 1 x Back left coner panels (15) and 1 x Back right coner panels (16).

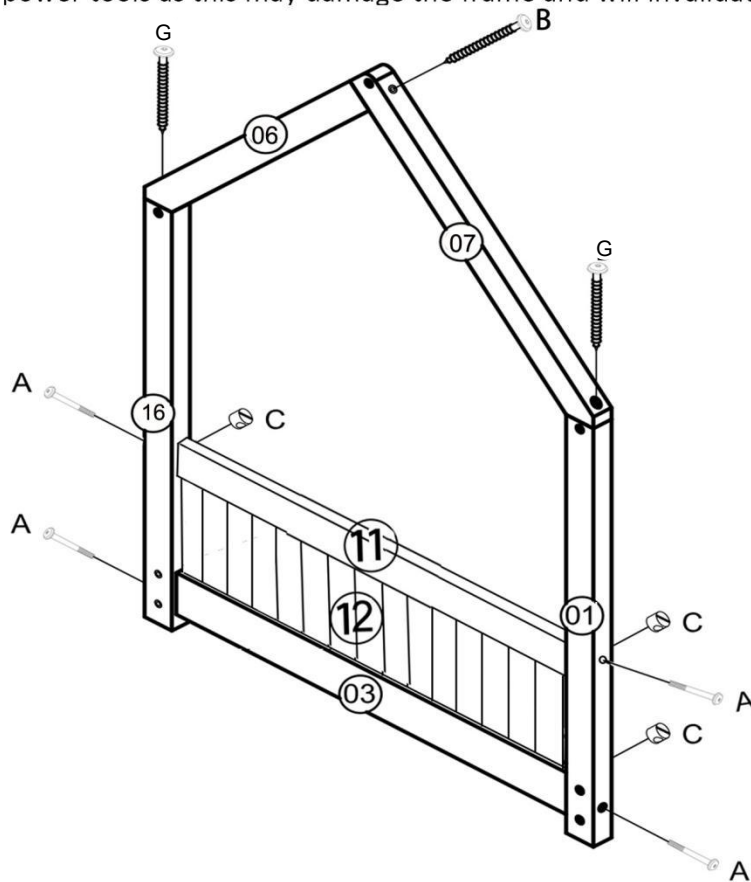
DO NOT use any power tools as this may damage the frame and will invalidate any claim.



Step 2: Attach the 1 x back left corner panels(15) and the 1 x front left corner panels (2) to the 1 x Bottom head rail (3), 1 x Top head rail (11) and 1 x Head Panel(12) using hardware parts (A) and (C). Then attach the 1 x Back left roof panel (4) and 1 x front left roof panel (5) using hardware part (B)and(G).
DO NOT use any power tools as this may damage the frame and will invalidate any claim.

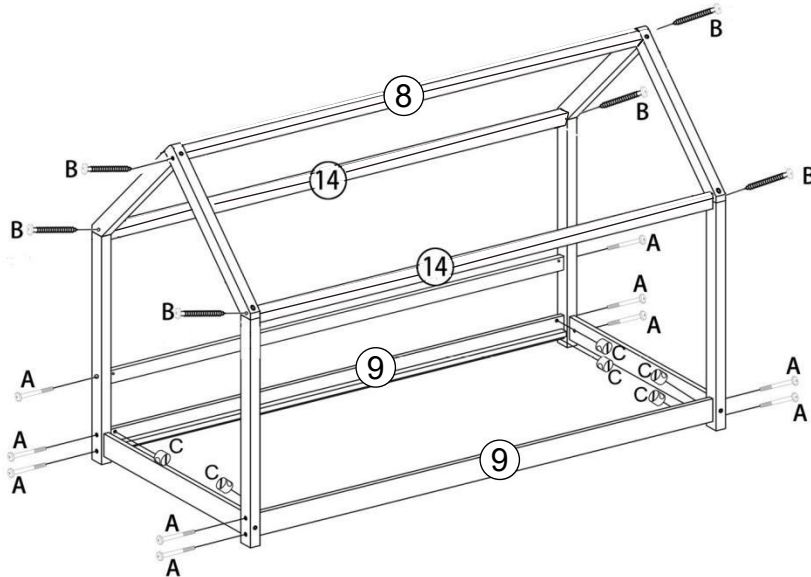


Step 3: Attach the 1 x Front right corner panels (1) and the 1 x Back right corner panels(16) to the 1 x Bottom head rail (3), 1 x Top head rail (11) and 1 x Head Panel (12) using hardware parts (A) and (C). Then attach the 1 x Back right roof panel (6) and 1 x front right roof panel (7) using hardware part (B)and(G).
DO NOT use any power tools as this may damage the frame and will invalidate any claim.



Step 4: Attach the 2 x side rails (9) to the 2 x Front right & back left corner panels (1) and 2 x Back right & front left corner panels (2) using hardware parts (A) and (C). Secondly attach the 1 x Support rail (13) to the 1 x back left corner panels (1) and the 1 x Back right corner panels (2) using hardware parts (A) and (C). Then attach the 1 x Top cross bar (8) and the 2 x side cross bars (14) to the 1 x Back left roof panel (4), 1 x front left roof panel (5), 1 x Back right roof panel (6) and 1 x front right roof panel (7), using hardware parts (B).

DO NOT use any power tools as this may damage the frame and will be invalidate any claim.



Step 5: Screw in the 14 x slats (10) to the 2 x side rails (9) using hardware parts (E).

DO NOT use any power tools as this may damage the frame and will invalidate any claim.

